

INSTALLATION



ICS150-CW Series Camclosure®



**Integrated Camera System
Wide Dynamic Range (WDR)**

C3407M-D (1/07)

Contents

Regulatory Notices	4
Description	5
Models	5
Cover and Back Box Installation	7
Unshielded Twisted Pair (UTP) Video	7
Fixed Ceiling/Wall	7
Suspended Ceiling	8
4S Deep Electrical Box	9
Camera Module	10
Module Removal	10
Camera Orientation	12
Module Installation	12
Camera Adjustments	13
Varifocal Lens Zoom and Focus Adjustments	13
Switch Settings	14
Vertical Phase Adjustment (24 VAC Operation Only)	15
Adjusting the Vertical Phase	15
Camera Positioning	16
Install Dome and Trim Ring	17
Service Connector	18
Specifications	20

List of Illustrations

1	Package Components	8
2	Ceiling/Wall Installation	9
3	Ceiling Tile Installation	10
4	4S Deep Electrical Box Installation	11
5	Camera Module Bracket	12
6	Back Box Connectors	13
7	Camera Orientation	14
8	Location of Zoom and Focus Adjustments	15
9	DIP Switch	16
10	Vertical Phase Adjustment	17
11	Positioning the Camera	18
12	Dome Liner Adjustment	19
13	Service Connector	20
14	Attaching the 2.5 mm Monaural Headphone Plug	21

Regulatory Notices

This device complies with Part 15 of the FCC Rules. Operation is subject to the following two conditions: (1) this device may not cause harmful interference, and (2) this device must accept any interference received, including interference that may cause undesired operation.

RADIO AND TELEVISION INTERFERENCE

This equipment has been tested and found to comply with the limits of a Class B digital device, pursuant to Part 15 of the FCC Rules. These limits are designed to provide reasonable protection against harmful interference in a residential installation. This equipment generates, uses, and can radiate radio frequency energy and, if not installed and used in accordance with the instructions, may cause harmful interference to radio communications. However there is no guarantee that the interference will not occur in a particular installation. If this equipment does cause harmful interference to radio or television reception, which can be determined by turning the equipment off and on, the user is encouraged to try to correct the interference by one or more of the following measures:


- Reorient or relocate the receiving antenna.
- Increase the separation between the equipment and the receiver.
- Connect the equipment into an outlet on a circuit different from that to which the receiver is connected.
- Consult the dealer or an experienced radio/TV technician for help.

You may also find helpful the following booklet, prepared by the FCC: "How to Identify and Resolve Radio-TV Interference Problems." This booklet is available from the U.S. Government Printing Office, Washington D.C. 20402.

Changes and modifications not expressly approved by the manufacturer or registrant of this equipment can void your authority to operate this equipment under Federal Communications Commission's rules.

This Class B digital apparatus complies with Canadian ICES-003.

Cet appareil numérique de la classe B est conforme à la norme NMB-003 du Canada.

 Green The materials used in the manufacture of this document and its components are compliant to the requirements of Directive 2002/95/EC.



This equipment contains electrical or electronic components that must be recycled properly to comply with Directive 2002/96/EC of the European Union regarding the disposal of waste electrical and electronic equipment (WEEE). Contact your local dealer for procedures for recycling this equipment.

Description

The ICS150-CW Series Camclosure® integrated camera system combines an environmental cover, back box, camera, lens, and lower dome into a small, high-security system that is quick and easy to install. The system is perfect for a variety of indoor and outdoor applications and its versatile design allows for multiple mounting options. The ICS150-CW Series Camclosure integrated camera system can be installed directly into a ceiling, wall, or 4S deep electrical box.

Before installing your new system, thoroughly familiarize yourself with the information in this manual.

The following is supplied with the ICS150-CW Series Camclosure integrated camera system:

Qty Description

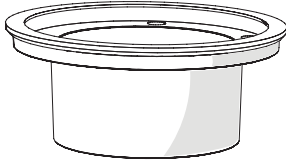
- 1 ICS150-CW Series Camclosure integrated camera system
 - Back box
 - Trim ring with bubble; clear bubble models include a dome liner
 - Camera module
- 1 Adapter plate
- 1 1/8-inch hollow screwdriver bit
- 4 8-32 x 0.375-inch Phillips flat head screws
- 2 8-32 x 0.75-inch Phillips flat head screws
- 4 8-32 x 1.25-inch Phillips flat head screws

MODELS

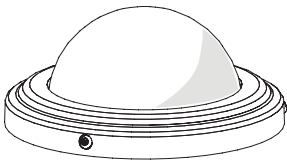
- | | |
|---------------|--|
| ICS150-CW-V39 | Indoor/outdoor dome, vandal resistant, in-ceiling mount, smoked bubble, gray finish, 3-9 mm varifocal lens with DC-drive auto iris |
| ICS151-CW-V39 | Indoor/outdoor dome, vandal resistant, in-ceiling mount, clear bubble, gray finish, 3-9 mm varifocal lens with DC-drive auto iris |



CAMERA MODULE
(1)

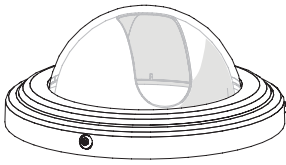


BACK BOX (1)



TRIM RING AND
SMOKED BUBBLE
(1)

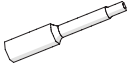
< OR >



TRIM RING, DOME LINER,
AND CLEAR BUBBLE
(1)



ADAPTER PLATE
(1)



1/8-INCH HOLLOW
SCREWDRIVER BIT (1)

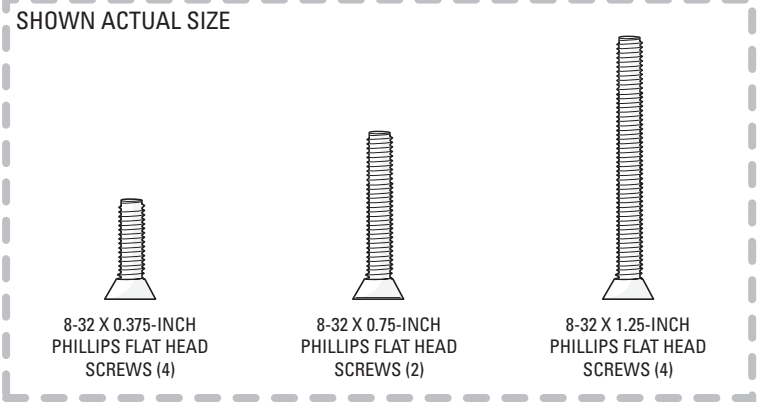


Figure 1. Package Components

Cover and Back Box Installation

The ICS150-CW Series Camclosure integrated camera system mounts only into a wall or ceiling.

UNSHIELDED TWISTED PAIR (UTP) VIDEO

The ICS150-CW Series offers support for unshielded twisted pair (UTP). The UTP video output signal is 1 Vp-p differential into a 100-ohm load. The unit uses active UTP.

At a minimum, UTP requires Cat5, 100-ohm twisted pair cable. The maximum UTP wiring distance is 3,000 ft (914 m).

FIXED CEILING/WALL

NOTE: You should install the camera module into the back box before installing the back box into the surface. When installing the back box into the surface, rotate the camera module to access the mounting holes. Refer to *Camera Module* on page 10 for more information.

1. Cut a hole 3.5 inches (9 cm) in diameter in the ceiling/wall. Use the supplied adapter plate as a template.
2. Pull video and power wires through the ceiling/wall.
3. Connect the video cable/wires:

BNC: Connect the BNC connector from the unit to a mating BNC connector.

Twisted Pair (UTP): Blue wire = Video +
Gray wire = Video -

4. Connect the power wires.

Voltage	Red Wire	Black Wire
12 VDC	+	Ground
24 VAC	~	~

AC operation only: If you are wiring more than one Camclosure integrated camera system to the same transformer, connect one side of the transformer to the red wire on all units, and connect the other side of the transformer to the black wire on all units. Failure to connect all of the units the same way will cause the cameras to be out of phase with each other and may produce a vertical roll when switching between cameras.

5. For a non-concrete ceiling/wall, use 6-32 toggle bolts to attach the surface mount ring and back box to the mounting surface. For a concrete ceiling/wall, use 8-32 mounting hardware. Mounting hardware is not supplied.

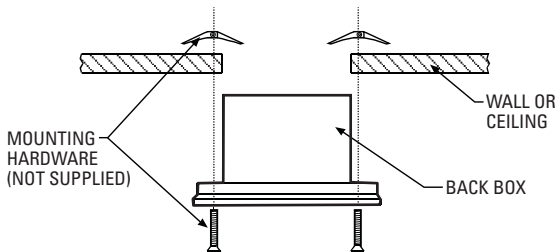


Figure 2. Ceiling/Wall Installation

SUSPENDED CEILING

NOTE: You should install the camera module into the back box before installing the back box into the surface. When installing the back box into the surface, rotate the camera module to access the mounting holes. Refer to *Camera Module* on page 10 for more information.

1. Pull video and power wires to the ceiling tile.
2. Mount the unit to the ceiling tile (refer to Figure 3):
 - a. Remove the ceiling tile from the ceiling.
 - b. Cut a hole 3.5 inches (9 cm) in diameter in the ceiling tile. Use the supplied adapter plate as a template. Punch four screw holes in the ceiling tile.
 - c. Attach the back box to the ceiling tile and adapter plate with four supplied 8-32 x 1.25-inch Phillips flat head screws.
 - d. Reinstall the ceiling tile with the unit.

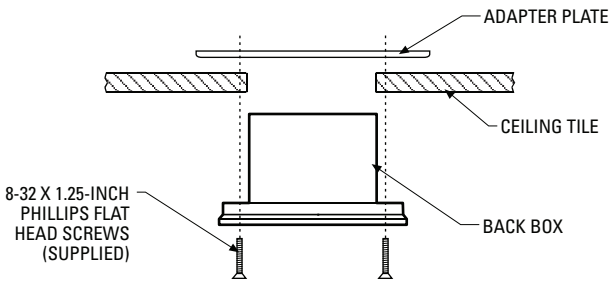


Figure 3. Ceiling Tile Installation

3. Remove an adjacent ceiling tile.
4. Connect the video cable/wires:

BNC: Connect the BNC connector from the unit to a mating BNC connector.

Twisted Pair (UTP): Blue wire = Video +
Gray wire = Video -

5. Connect the power wires.

Voltage	Red Wire	Black Wire
12 VDC	+	Ground
24 VAC	~	~

AC operation only: If you are wiring more than one Camclosure integrated camera system to the same transformer, connect one side of the transformer to the red wire on all units, and connect the other side of the transformer to the black wire on all units. Failure to connect all of the units the same way will cause the cameras to be out of phase with each other and may produce a vertical roll when switching between cameras.

4S DEEP ELECTRICAL BOX

NOTE: You should install the camera module into the back box before installing the back box into the surface. When installing the back box into the surface, rotate the camera module to access the mounting holes. Refer to *Camera Module* on page 10 for more information.

1. Attach the supplied adapter plate to the 4S box with two supplied 8-32 x 0.75-inch Phillips flat head screws.
2. Pull video and power wires to the ceiling tile.
3. Connect the video cable/wires:

BNC: Connect the BNC connector from the unit to a mating BNC connector.

Twisted Pair (UTP): Blue wire = Video +
Gray wire = Video -

4. Connect the power wires.

Voltage	Red Wire	Black Wire
12 VDC	+	Ground
24 VAC	~	~

AC operation only: If you are wiring more than one Camclosure integrated camera system to the same transformer, connect one side of the transformer to the red wire on all units, and connect the other side of the transformer to the black wire on all units. Failure to connect all of the units the same way will cause the cameras to be out of phase with each other and may produce a vertical roll when switching between cameras.

5. Attach the back box to the adapter plate with four supplied 8-32 x 0.375-inch Phillips flat head screws.

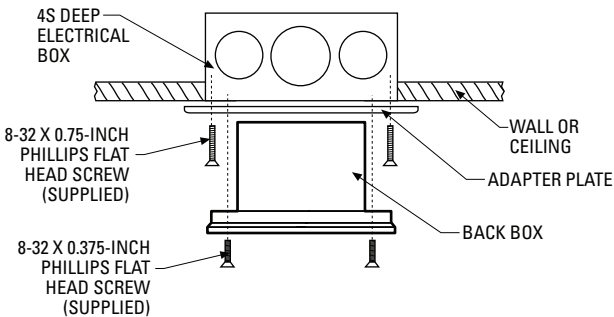


Figure 4. 4S Deep Electrical Box Installation

Camera Module

The ICS150-CW Series Camclosure camera module includes the camera, camera bracket, and heater board. To perform most camera adjustments, you must remove the module from the back box.

Use the following instructions to remove and reinstall the camera module.

⚠ WARNING: Heater elements could be hot! When camera power is on, use caution when adjusting the camera. This applies to all models.

MODULE REMOVAL

To remove the camera module from the back box:

1. Gently squeeze the bracket and pull the module out of the back box (refer to Figure 5).

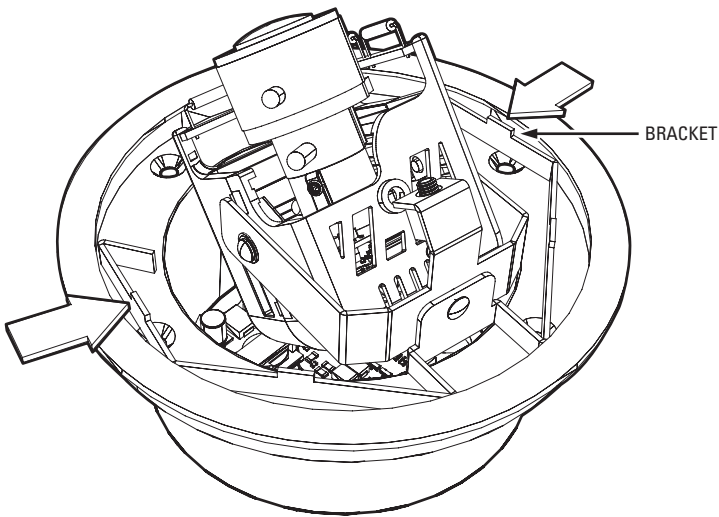


Figure 5. Camera Module Bracket

2. Unplug the camera (10-pin), heater board (four-pin), and service (three-pin) connectors from the back box (refer to Figure 6).

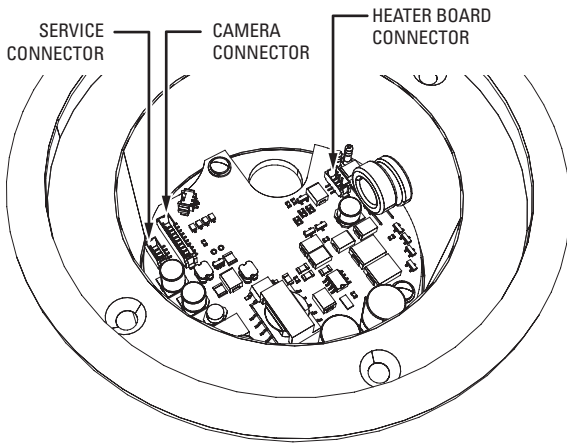


Figure 6. Back Box Connectors

CAMERA ORIENTATION

At the factory, the camera module is configured for ceiling mounting. For wall mounting, you must change the camera orientation or the video image will be upside down.

To change the camera orientation (refer to Figure 7):

1. Remove the camera module from the back box if necessary.
2. Remove the tilt adjustment screw and lock washer from each side of the camera.
3. Carefully rotate the camera one half turn. Make sure the wiring harness does not bind.
4. Reinstall the tilt adjustment screw and lock washer on each side of the camera.
5. Verify the camera orientation.

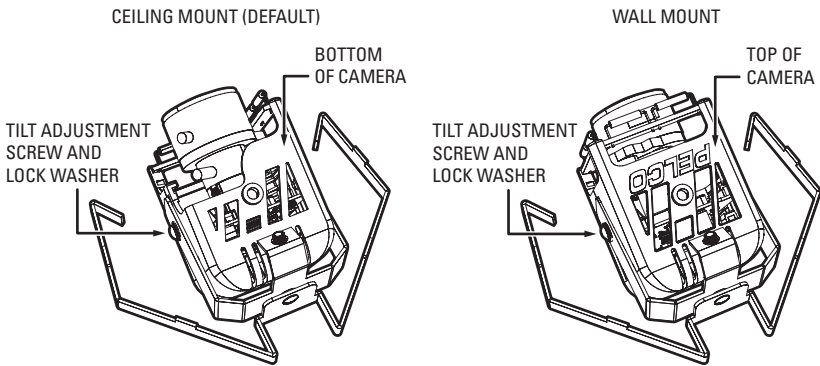


Figure 7. Camera Orientation

MODULE INSTALLATION

To install the camera module into the back box:

1. Plug the camera (10-pin), heater board (four-pin), and service (three-pin) connectors into the back box (refer to Figure 6 on page 11).
2. Make sure the tabs on the camera bracket and the service connector are pointing out of the enclosure, away from the ceiling or wall.
3. Gently squeeze the bracket, place it against the groove inside back box, and gently release (refer to Figure 5 on page 10).

Camera Adjustments

To perform the following camera adjustments, make sure to plug in the camera and service connectors. You may have to remove the camera module from the back box.

Connect a monitor. Then turn on power to the camera and monitor. To use the service connector, refer to *Service Connector* on page 18.

To adjust the DIP switches or the vertical phase, you will need a miniature trimpot adjustment tool with a 0.05-inch (1.27 mm) blade. Suggested tools include a miniature flat-tip screwdriver, a Philmore trimpot tool (#63-6808), and the Philmore 10-piece tool set (#63-910).

After you have adjusted the unit, reinstall the camera module into the back box, and install the trim ring, bubble, and dome liner (if necessary).

NOTES:

- The electronics of the ICS150-CW automatically adjust the camera to the auto iris. Auto iris level adjustments are not necessary.
- The R7 adjustment is reserved.

VARIFOCAL LENS ZOOM AND FOCUS ADJUSTMENTS

To adjust the field of view and the focus:

1. Select a field of view by turning the zoom adjustment ring clockwise/counterclockwise (refer to Figure 8).
2. Tighten the zoom locking screw.
3. Adjust the focus by moving the focus locking screw clockwise/counterclockwise.
4. Tighten the focus locking screw.

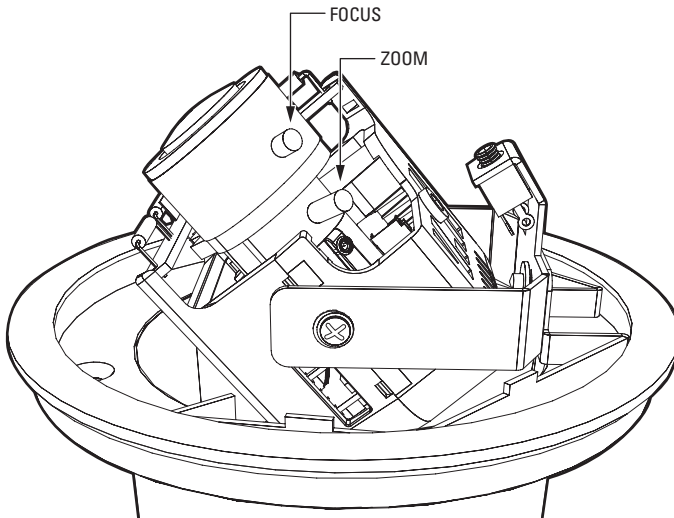


Figure 8. Location of Zoom and Focus Adjustments

SWITCH SETTINGS

Locate the DIP switch (refer to Figure 9). Then set the switches for your installation.

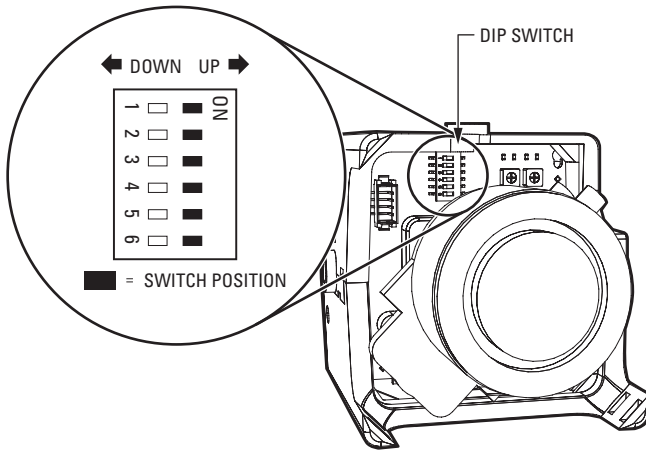


Figure 9. DIP Switch

SW1: Video Format

Set to ON for NTSC. Set to OFF for PAL. The default is ON.

SW2: Line Sync

Set to ON to use AC line lock. Set to OFF for internal line sync. The default is ON.

SW3: Interlaced Scanning/Progressive Scanning

Set to ON to select interlaced scanning. Set to OFF to select progressive scanning. The default is ON.

SW4: Auto White Balance (AWB)/Auto Tracking White Balance (ATW)

Set to ON to enable ATW. This is the default.

To manually set and lock the white balance (AWB), power up the unit. Then place a white background in front of the lens and turn SW4 to OFF.

SW5/SW6: Profile

Select the preset profile that best matches your installation:

Profile	Minimum Illumination	SW5	SW6
General (default)	6.0 lux	ON	ON
Extended shutter	0.5 lux (15 fps)	OFF	ON
Extended dynamic range	3.0 lux	ON	OFF
Fluorescent	3.0 lux	OFF	OFF

General (default): Use for most installations. This profile provides very good general image quality.

Extended shutter: Use for installation that are mostly low light.

Extended dynamic range: Use for extremely high dynamic installations, for example, doorways, entrances, and exits. This profile offers the maximum wide dynamic range.

Fluorescent: Use for any installation with flickering lighting of any kind.

NOTE: If you select the Fluorescent profile, you should enable AC line lock for best results.

VERTICAL PHASE ADJUSTMENT (24 VAC OPERATION ONLY)

When using more than one camera power supply, a brief vertical roll may occur on the monitor when switching from one camera to another.

To eliminate vertical roll, reverse the 24 VAC connections on one camera. If both cameras are connected to the same transformer, this should solve the problem. If the problem still exists, adjust the phase control by synchronizing, or line-locking, the cameras to one another.

ADJUSTING THE VERTICAL PHASE

You may need two people when synchronizing the cameras: one at the camera, the other at the monitor to observe the vertical roll and the effect of any camera adjustments.

To synchronize the cameras:

1. Choose a reference camera to which all other cameras will be phased.
2. Select the camera to synchronize. Use the phase adjustment control (R8) to synchronize the camera to the reference camera (refer to Figure 10). Turn R8 clockwise to increase vertical phase; turn R8 counterclockwise to decrease vertical phase.
3. Each time an adjustment is made, switch back and forth between the camera you are adjusting and the reference camera. Repeat this process as many times as necessary until the roll between the cameras is no longer noticeable.
4. Adjust the phase of all other cameras by repeating steps 2 through 3. Always adjust to the reference camera selected in step 1.

NOTE: The preferred method for camera phase adjustment is to use a dual trace oscilloscope to align the vertical sync pulses of the reference camera to the selected camera(s).

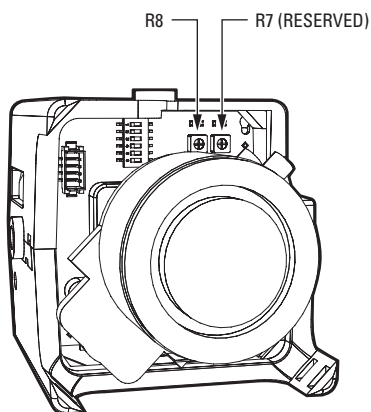
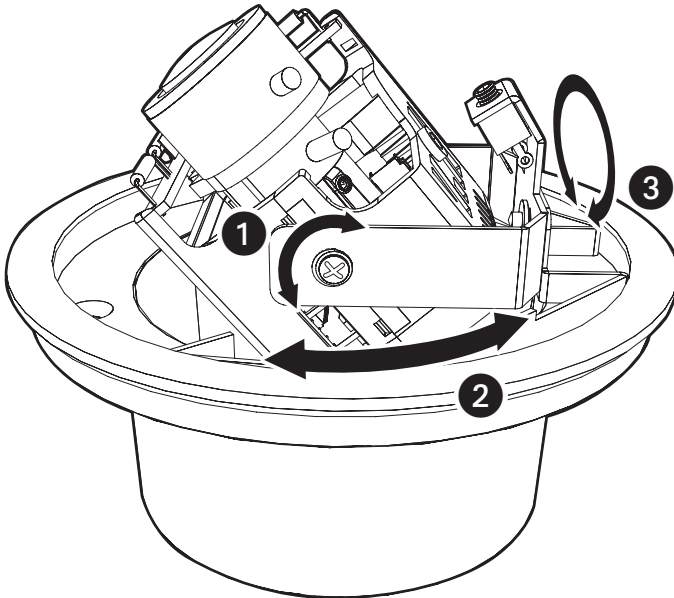


Figure 10. Vertical Phase Adjustment

Camera Positioning

Manually rotate and tilt the camera module to position the camera. Then tighten the tilt screws (axis 1 in Figure 11).

NOTE: Do not over-rotate the module. Excessively turning the module in one direction could result in damage to the wiring.



1 Tilt 80° (20°-100°) 2 Pan 360° 3 Rotation 360°

Figure 11. Positioning the Camera

Install Dome and Trim Ring

1. Adjust the dome liner if installed (refer to Figure 12):
 - a. Align the screw holes in the trim ring with those in the back box to identify the proper dome liner position.
 - b. Loosen the three Phillips screws located in the trim ring.
 - c. Insert the blade of a standard screwdriver in one of the adjustment grooves. Rotate the dome liner to position the viewing window over the camera lens.
 - d. Tighten the three Phillips screws to lock the dome liner in place.

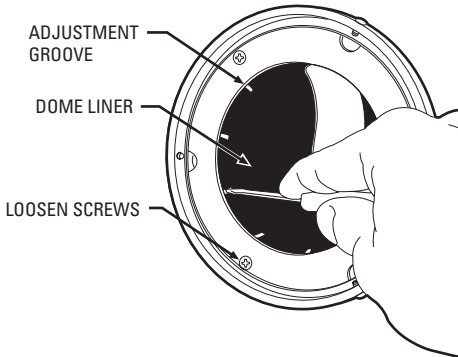


Figure 12. Dome Liner Adjustment

2. Place the trim ring onto the back box.
3. Tighten the tamper-resistant screws through the trim ring into the back box. Use the supplied 1/8-inch hollow screwdriver bit. Note that the screws are installed at an angle.

Service Connector

The ICS150-CW Series Camclosure integrated camera system includes a service connector that outputs camera video. Use it at the installation site to set up the field of view and focus the camera.

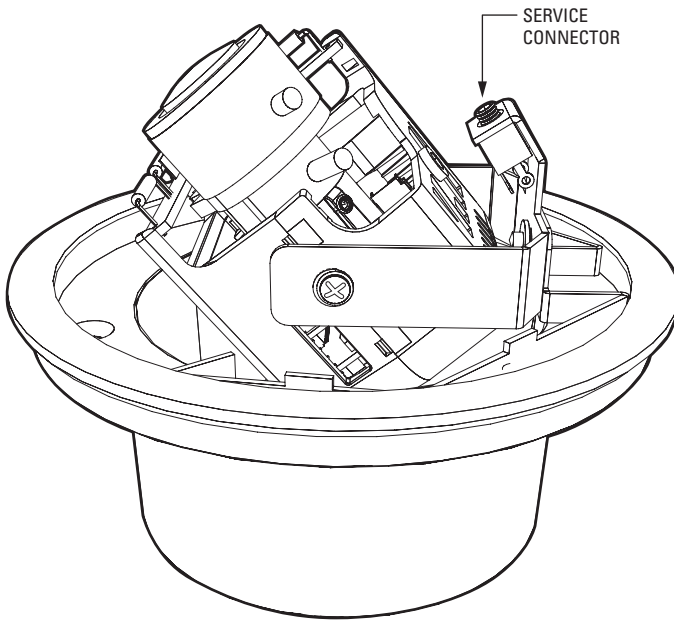


Figure 13. Service Connector

Pelco offers two optional items that plug directly into the service connector. Before using either option, you must loosen the tamper-resistant screws to remove the trim ring from the back box. Use the supplied 1/8-inch hollow screwdriver bit.

The CST150 has a 3-foot (0.9 m) cable and microdisplay for viewing camera video. Plug it into the service connector and view the video.

NOTE: The three buttons on the CST150 are not used with the ICS150-CW.

The ICS090-SC has a 4-foot (1.2 m) cable with a service connector and a BNC connector. Plug the service connector into the unit. Then connect the other end to any standard BNC (VIDEO IN) connector on a monitor.

To assemble a longer service cable for the Camclosure integrated camera system, purchase the following from a local electronics supply store:

- 1 2.5 mm monaural headphone plug
- 1 CPM 88 miniature coaxial connector
- 1 RG174/U coaxial cable

To assemble the cable:

1. Attach the CPM 88 miniature coaxial connector to one end of the cable. Follow the directions supplied with the miniature coaxial connector.
2. Attach the 2.5 mm monaural plug to the other end of the coaxial cable (refer to Figure 14):
 - a. Remove the support sleeve from the plug.
 - b. Slip the support sleeve over the end of the cable.
 - c. Prepare the cable.
 - d. Solder the center conductor of the cable to the center pin of the plug.
 - e. Thread the braid of the cable through the hole in the crimp pin.
 - f. Solder the braid to the top of the crimp pin.
 - g. Crimp the end of the crimp pin around the cable.
 - h. Reassemble the support sleeve and the plug.

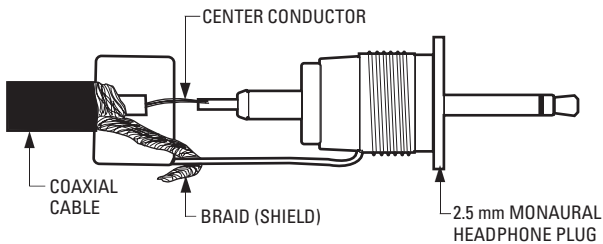


Figure 14. Attaching the 2.5 mm Monaural Headphone Plug

Specifications

CAMERA

Imaging Device	1/3-inch imager
Dynamic Range	102 dB typical/120 dB maximum
Picture Elements	Sensor resolution: 742 (H) x 552 (V)
Signal System	NTSC or PAL
Scanning System	2:1 interlace/progressive
Synchronization	Internal/AC line lock
Horizontal Resolution	More than 504 TV lines
Iris Control	Auto
Electronic Shutter Range	Auto (1/15 - 1/22,000)
Auto Iris Lens Type	DC-drive
Minimum Illumination	0.5 lux, F1.2, 40 IRE, AGC on, 75% scene reflectance (extended shutter mode, 15 fps)
Signal-to-Noise Ratio	>53 dB
Vertical Phase	Adjustable $\pm 200^\circ$
Gain Control	Auto (36 dB maximum)
Backlight Compensation	Auto
Signal Processing	Digital Signal Processing (DSP)
Video Output	Composite: 1 Vp-p, 75 ohms UTP: Active 1 Vp-p, 100 ohms
Auto White Balance	Auto or manual (switch selectable); 2700°K to 7500°K

LENS

Type	Varifocal
Format Size	1/3-inch
Focal Length	3 ~ 9 mm
Zoom Ratio	3X
Relative Aperture (F)	2.1
Operation	
Iris	Auto (DC-drive)
Focus	Manual
Zoom	Manual
Angle of View*	
Diagonal	118.7° to 41.5°
Horizontal	92.8° to 33.3°
Vertical	68.8° to 25°
Minimum Object Distance	1.64 ft (0.5 m)
Back Focal Length	6.1 ~ 12 mm

*Focal length specifications presume a 10% horizontal and 4% vertical monitor overscan.

BACKBOX

Electrical

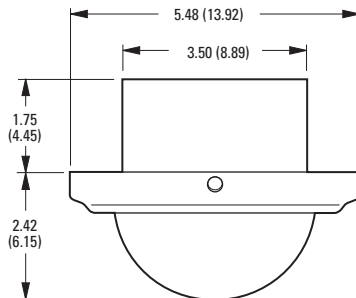
Input Voltage**	12 VDC or 24 VAC ($\pm 10\%$), autosensing
Power Consumption	10 watts or less
Video Connector	Composite: BNC UTP: Twisted pair

General

Pan/Tilt Adjustment	Manual
Pan	360°
Tilt	80° (20° to 100° range)
Rotation	360°
Construction	Aluminum with steel camera mounting bracket and polycarbonate dome
Finish	White polyester powder coat trim ring with gray polyester powder coat back box
Environment	Low temperature, indoor/outdoor
Operating Temperature	-50° to 122°F (-46° to 50°C) De-ices to 25°F (-4°C)
Dimensions	
Above Ceiling	1.75 (H) x 3.50 (W) inches (4.45 x 8.89 cm)
Below Ceiling	2.42 (H) x 5.48 (W) inches (6.15 x 13.90 cm)
Bubble Diameter	3.75 inches (9.5 cm)
Unit Weight	1.7 lb (0.77 kg)

**24 VAC power is recommended when installing any Camclosure Integrated Camera System under fluorescent lighting conditions.

(Design and product specifications subject to change without notice.)



NOTE: VALUES IN PARENTHESES ARE CENTIMETERS;
ALL OTHERS ARE INCHES.

PRODUCT WARRANTY AND RETURN INFORMATION

WARRANTY

Pelco will repair or replace, without charge, any merchandise proved defective in material or workmanship **for a period of one year** after the date of shipment.

Exceptions to this warranty are as noted below:

- Five years on FR/FT/FS Series fiber optic products and TW3000 Series unshielded twisted pair transmission products.
- Three years on Spectra® IV products.
- Three years on Genex® Series products (multiplexers, server, and keyboard).
- Three years on Camclosure® and fixed camera models, except the CC3701H-2, CC3751H-2, CC3651H-2X, MC3651H-2, and MC3651H-2X camera models, which have a five-year warranty.
- Three years on PMCL200/300/400 Series LCD monitors.
- Two years on standard motorized or fixed focal length lenses.
- Two years on Legacy®, CM6700/CM6800/CM9700 Series matrix, and DF5/DF8 Series fixed dome products.
- Two years on Spectra III™, Esprit®, ExSite™, and PS20 scanners, including when used in continuous motion applications.
- Two years on Esprit and WW5700 Series window wiper (excluding wiper blades).
- Two years (except lamp and color wheel) on Digital Light Processing (DLP®) displays. The lamp and color wheel will be covered for a period of 90 days. The air filter is not covered under warranty.
- Eighteen months on DX Series digital video recorders, NVR300 Series network video recorders, and Endura™ Series distributed network-based video products.
- One year (except video heads) on video cassette recorders (VCRs). Video heads will be covered for a period of six months.
- Six months on all pan and tilts, scanners or preset lenses used in continuous motion applications (that is, preset scan, tour and auto scan modes).

Pelco will warrant all replacement parts and repairs for 90 days from the date of Pelco shipment. All goods requiring warranty repair shall be sent freight prepaid to Pelco, Clovis, California. Repairs made necessary by reason of misuse, alteration, normal wear, or accident are not covered under this warranty.

Pelco assumes no risk and shall be subject to no liability for damages or loss resulting from the specific use or application made of the Products. Pelco's liability for any claim, whether based on breach of contract, negligence, infringement of any rights of any party or product liability, relating to the Products shall not exceed the price paid by the Dealer to Pelco for such Products. In no event will Pelco be liable for any special, incidental or consequential damages (including loss of use, loss of profit and claims of third parties) however caused, whether by the negligence of Pelco or otherwise.

The above warranty provides the Dealer with specific legal rights. The Dealer may also have additional rights, which are subject to variation from state to state.

If a warranty repair is required, the Dealer must contact Pelco at (800) 289-9100 or (559) 292-1981 to obtain a Repair Authorization number (RA), and provide the following information:

1. Model and serial number
2. Date of shipment, P.O. number, Sales Order number, or Pelco invoice number
3. Details of the defect or problem

If there is a dispute regarding the warranty of a product which does not fall under the warranty conditions stated above, please include a written explanation with the product when returned.

Method of return shipment shall be the same or equal to the method by which the item was received by Pelco.

RETURNS

In order to expedite parts returned to the factory for repair or credit, please call the factory at (800) 289-9100 or (559) 292-1981 to obtain an authorization number (CA number if returned for credit, and RA number if returned for repair).

All merchandise returned for credit may be subject to a 20% restocking and refurbishing charge.

Goods returned for repair or credit should be clearly identified with the assigned CA or RA number and freight should be prepaid. Ship to the appropriate address below.

If you are located within the continental U.S., Alaska, Hawaii or Puerto Rico, send goods to:

Service Department
Pelco
3500 Pelco Way
Clovis, CA 93612-5699

If you are located outside the continental U.S., Alaska, Hawaii or Puerto Rico and are instructed to return goods to the USA, you may do one of the following:

If the goods are to be sent by a COURIER SERVICE, send the goods to:

Pelco
3500 Pelco Way
Clovis, CA 93612-5699 USA

If the goods are to be sent by a FREIGHT FORWARDER, send the goods to:

Pelco c/o Expeditors
473 Eccles Avenue
South San Francisco, CA 94080 USA
Phone: 650-737-1700
Fax: 650-737-0933

REVISION HISTORY

Manual #	Date	Comments
C3407M	4/06	Original version.
C3407M-A	6/06	Added note to install camera module into back box before installation (ECO 06-13656).
C3407M-B	6/06	Updated DIP switch profile settings.
C3407M-C	7/06	Removed auto iris adjustment procedure.
C3407M-D	1/07	Updated figure 10. Described unused auto iris adjustment.

Pelco, the Pelco logo, Camclosure, Esprit, Genex, Legacy, and Spectra are registered trademarks of Pelco.

Endura and ExSite are trademarks of Pelco.

DLP is a registered trademark of Texas Instruments, Inc.

©Copyright 2007, Pelco.

All rights reserved.



Worldwide Headquarters
3500 Pelco Way
Clovis, California 93612 USA

USA & Canada
Tel: 800/289-9100
Fax: 800/289-9150
International
Tel: 1-559/292-1981
Fax: 1-559/348-1120

www.pelco.com

ISO9001

Australia | Canada | Finland | France | Italy | Russia | Singapore | Spain | Sweden
The Netherlands | United Arab Emirates | United Kingdom | United States

Free Manuals Download Website

<http://myh66.com>

<http://usermanuals.us>

<http://www.somanuals.com>

<http://www.4manuals.cc>

<http://www.manual-lib.com>

<http://www.404manual.com>

<http://www.luxmanual.com>

<http://aubethermostatmanual.com>

Golf course search by state

<http://golfingnear.com>

Email search by domain

<http://emailbydomain.com>

Auto manuals search

<http://auto.somanuals.com>

TV manuals search

<http://tv.somanuals.com>