

# INSTALLATION



## IP110 Series Camclosure®



**Integrated Camera System**

**C3432M-F (6/08)**

# Contents

---

Important Safety Instructions . . . . .	4
Regulatory Notices . . . . .	5
Open Source Software Notice . . . . .	6
Description . . . . .	7
System Models . . . . .	7
Basic System Configurations . . . . .	8
Cover and Back Box Installation . . . . .	10
Basic Surface Installation . . . . .	10
4S Electrical Box Installation . . . . .	11
4Q4 Plaster Ring Installation . . . . .	12
Side Conduit Installation . . . . .	13
Wiring Tables . . . . .	14
Cat5 Cable . . . . .	14
Alarm and 24 VAC Wires . . . . .	15
Connecting a Relay Device . . . . .	15
Connecting Alarms . . . . .	16
Camera Module . . . . .	19
Camera Orientation . . . . .	19
Module Installation . . . . .	20
Camera Adjustments . . . . .	21
Varifocal Lens Zoom and Focus Adjustments . . . . .	22
DN/CH Series Adjustments . . . . .	23
Switch Settings . . . . .	23
Blemish Detection . . . . .	24
Day/Night Operation . . . . .	25
DW/CW Series (Wide Dynamic Range) Adjustments . . . . .	26
Switch Settings . . . . .	26
Auto Iris Level Adjustment . . . . .	28
Camera Positioning . . . . .	29
Install Dome and Trim Ring . . . . .	30
Service Connector . . . . .	31
Reset Button . . . . .	33
Troubleshooting . . . . .	34
Specifications . . . . .	37

# List of Illustrations

---

1	DHCP Network Example	8
2	Endura Network Example	8
3	Private Network Example	9
4	Static Network Example	9
5	Basic Surface Installation	10
6	4S Electrical Box Installation	11
7	404 Plaster Ring Installation	12
8	Side Conduit Installation	13
9	Relay Wiring	15
10	Supervised Alarm Conditions	16
11	Supervised Alarm Input Wiring	16
12	Unsupervised Alarm Conditions	17
13	Unsupervised Alarm Input Wiring	17
14	Unsupervised Alarm Input Wiring	18
15	Camera Orientation	19
16	Back Box Connectors	20
17	Camera Module Bracket	20
18	Location of Zoom and Focus Adjustments	22
19	Adjusting the IP110-DN/CH Series Camclosure	23
20	DN Models Threshold Switching Levels	25
21	Adjusting the IP110-DW/CW Series Camclosure	26
22	DW Models Threshold Switching Levels	28
23	Positioning the Camera	29
24	Dome Liner Adjustment	30
25	Service Connector	31
26	Attaching the 2.5 mm Monaural Headphone Plug	32
27	Location of Reset Button and LEDs	33

# List of Tables

A	Pin Descriptions	14
B	Wire Descriptions	14
C	DN Models Switching Thresholds	25
D	DW Models Switching Thresholds	28

# Important Safety Instructions

---

1. Read these instructions.
2. Keep these instructions.
3. Heed all warnings.
4. Follow all instructions.
5. Do not use this apparatus near water.
6. Do not block any ventilation openings. Install in accordance with the manufacturer's instructions.
7. Only use attachments/accessories specified by the manufacturer.
8. Apparatus shall not be exposed to dripping or splashing and that no objects filled with liquids, such as vases shall be placed on the apparatus.
9. Installation should be done only by qualified personnel and conform to all local codes.
10. Unless the unit is specifically marked as a NEMA Type 3, 3R, 3S, 4, 4X, 6, or 6P enclosure, it is designed for indoor use only and it must not be installed where exposed to rain and moisture.
11. Use only installation methods and materials capable of supporting four times the maximum specified load.
12. Use stainless steel hardware to fasten the mount to outdoor surfaces.
13. Only use replacement parts recommended by Pelco.
14. After replacement/repair of this unit's electrical components, conduct a resistance measurement between the line and exposed parts to verify the exposed parts have not been connected to the line circuitry.

# Regulatory Notices

---

This device complies with Part 15 of the FCC Rules. Operation is subject to the following two conditions: (1) this device may not cause harmful interference, and (2) this device must accept any interference received, including interference that may cause undesired operation.

## **RADIO AND TELEVISION INTERFERENCE**

This equipment has been tested and found to comply with the limits of a Class B digital device, pursuant to Part 15 of the FCC Rules. These limits are designed to provide reasonable protection against harmful interference in a residential installation. This equipment generates, uses, and can radiate radio frequency energy and, if not installed and used in accordance with the instructions, may cause harmful interference to radio communications. However there is no guarantee that the interference will not occur in a particular installation. If this equipment does cause harmful interference to radio or television reception, which can be determined by turning the equipment off and on, the user is encouraged to try to correct the interference by one or more of the following measures:

- Reorient or relocate the receiving antenna.
- Increase the separation between the equipment and the receiver.
- Connect the equipment into an outlet on a circuit different from that to which the receiver is connected.
- Consult the dealer or an experienced radio/TV technician for help.

You may also find helpful the following booklet, prepared by the FCC: "How to Identify and Resolve Radio-TV Interference Problems." This booklet is available from the U.S. Government Printing Office, Washington D.C. 20402.

Changes and Modifications not expressly approved by the manufacturer or registrant of this equipment can void your authority to operate this equipment under Federal Communications Commission's rules.

This Class B digital apparatus complies with Canadian ICES-003.

Cet appareil numérique de la classe B est conforme à la norme NMB-003 du Canada.

# Open Source Software Notice

---

This product includes certain open source or other software originated from third parties that is subject to the GNU General Public License (GPL), GNU Library/Lesser General Public License (LGPL), and different and/or additional copyright licenses, disclaimers, and notices.

The exact terms of GPL, LGPL, and some other licenses are provided to you with this product. Please refer to the exact terms of the GPL and LGPL at <http://www.fsf.org> (*Free Software Foundation*) or <http://www.opensource.org> (*Open Source Initiative*) regarding your rights under said license. You may obtain a complete corresponding machine-readable copy of the source code of such software under the GPL or LGPL by sending your request to [digitalsupport@pelco.com](mailto:digitalsupport@pelco.com); the subject line should read Source Code Request. You will then receive an e-mail with a link for you to download the source code.

This offer is valid for a period of three (3) years from the date of the distribution of this product by Pelco.



**WARNING:** This product is sensitive to Electrostatic Discharge (ESD). To avoid ESD damage to this product, use ESD safe practices during installation. Before touching, adjusting or handling this product, correctly attach an ESD wrist strap to your wrist and appropriately discharge your body and tools. For more information about ESD control and safe handling practices of electronics, please refer to ANSI/ESD S20.20-1999 or contact the Electrostatic Discharge Association ([www.esda.org](http://www.esda.org)).



The materials used in the manufacture of this document and its components are compliant to the requirements of Directive 2002/95/EC.



This equipment contains electrical or electronic components that must be recycled properly to comply with Directive 2002/96/EC of the European Union regarding the disposal of waste electrical and electronic equipment (WEEE). Contact your local dealer for procedures for recycling this equipment.

# Description

The IP110 Series Camclosure® is an indoor/outdoor, fixed mini dome system with a built-in 100Base-TX network interface for live streaming to a standard Web browser (Microsoft® Internet Explorer® or Firefox®). The network mini dome features open architecture connectivity for third-party software recording solutions and is also Endura Enabled™ to record, manage, configure, and view multiple live streams.

The IP110 Series Camclosure also includes built-in Power over Ethernet (PoE), which supplies power to the camera through the network. If PoE is not available, the unit is prewired for 24 VAC.

Before installing your new system, thoroughly familiarize yourself with the information in this manual.

The following is supplied with the IP110 Series Camclosure integrated camera system:

Qty	Description
1	IP110 Series Camclosure integrated camera system <ul style="list-style-type: none"> <li>• Cover and back box (assembled)</li> <li>• Trim ring with bubble and dome liner</li> <li>• Camera module</li> </ul>
1	1/8-inch hollow screwdriver bit
2	8-32 x 0.375-inch Phillips pan head screws with washers (attached to cover and back box)
3	6-32 x 0.75-inch Phillips pan head screws
2	8-32 x 0.75-inch Phillips flat head screws
2	8-32 x 0.75-inch Phillips pan head screws

## SYSTEM MODELS

Camera Type	Lower Dome	Lens	Lens Type	NTSC	PAL
Day/Night, Wide Dynamic Range	Smoked	3-9 mm 9-22 mm	Varifocal, Auto Iris	IP110-DWV9 IP110-DWV22	
Day/Night, Wide Dynamic Range	Clear	3-9 mm 9-22 mm	Varifocal, Auto Iris	IP111-DWV9 IP111-DWV22	
Day/Night	Smoked	3-9 mm 9-22 mm	Varifocal, Auto Iris	IP110-DNV9 IP110-DNV22	IP110-DNV9X IP110-DNV22X
Day/Night	Clear	3-9 mm 9-22 mm	Varifocal, Auto Iris	IP111-DNV9 IP111-DNV22	IP111-DNV9X IP111-DNV22X
Color, Wide Dynamic Range	Smoked	3-9 mm 9-22 mm	Varifocal, Auto Iris	IP110-CWV9 IP110-CWV22	
Color, Wide Dynamic Range	Clear	3-9 mm 9-22 mm	Varifocal, Auto Iris	IP111-CWV9 IP111-CWV22	
Color, High Resolution	Smoked	3-9 mm 9-22 mm	Varifocal, Auto Iris	IP110-CHV9 IP110-CHV22	IP110-CHV9X IP110-CHV22X
Color, High Resolution	Clear	3-9 mm 9-22 mm	Varifocal, Auto Iris	IP111-CHV9 IP111-CHV22	IP111-CHV9X IP111-CHV22X

# Basic System Configurations

**IMPORTANT NOTE. PLEASE READ.** The network implementations in this document are shown as general representations only and are not intended to show detailed network topologies. Your actual network will differ, requiring changes or perhaps additional network equipment to accommodate the systems as illustrated. Please contact your local Pelco Representative to discuss your specific requirements.

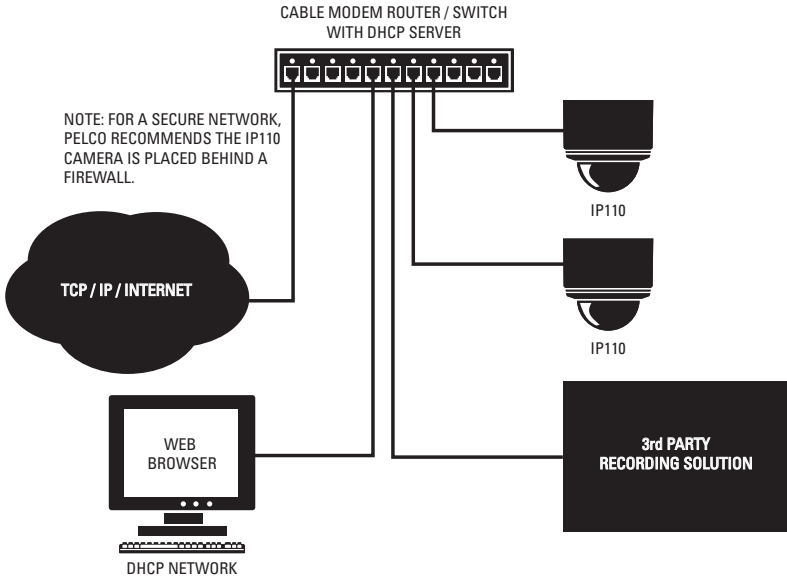


Figure 1. DHCP Network Example

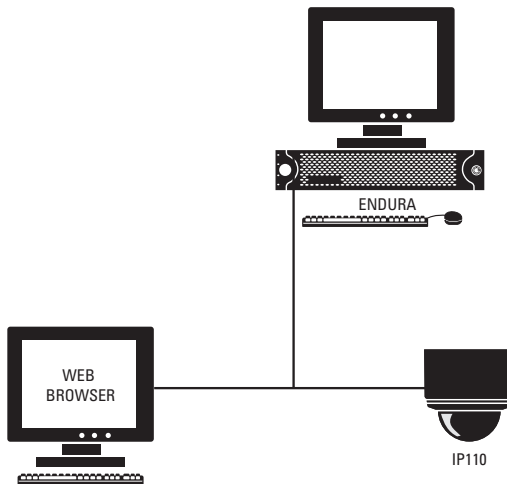
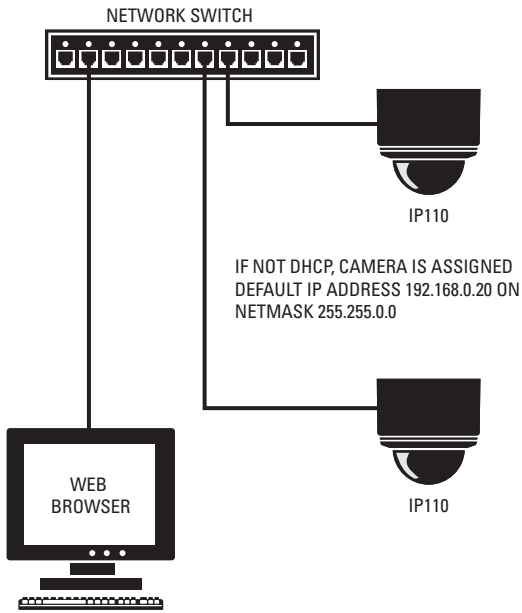
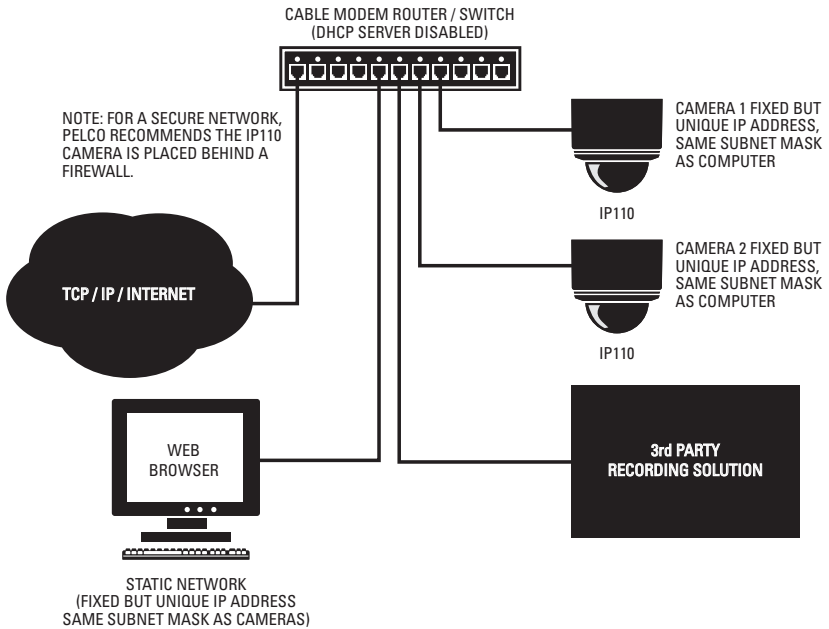


Figure 2. Endura Network Example





**Figure 3.** Private Network Example



**Figure 4.** Static Network Example

# Cover and Back Box Installation

The IP110 Series Camclosure integrated camera system mounts only to a surface. It can be wired through the cover into a surface, electrical box, plaster ring, or through a side conduit opening.

## BASIC SURFACE INSTALLATION

1. Remove the two 8-32 x 0.375-inch Phillips pan head screws and washers to separate the cover from the back box.
2. Cut out the hole for the cable/wiring. Pull the cable/wires through the mounting surface and then through the hole of the cover.
3. Attach the cover to the mounting surface (hardware not supplied). Use stainless steel hardware when installing the system outdoors.
4. Install the camera module into the back box before installing the back box into the cover. Rotate the camera module to access the mounting holes inside the back box. Refer to *Camera Module* on page 19 for more information.
5. Connect the cable/wires (refer to *Wiring Tables* on page 14 for information).
6. Reinstall the back box inside the cover. Use the two 8-32 x 0.375-inch Phillips pan head screws and washers (removed earlier) to secure the back box to the cover.

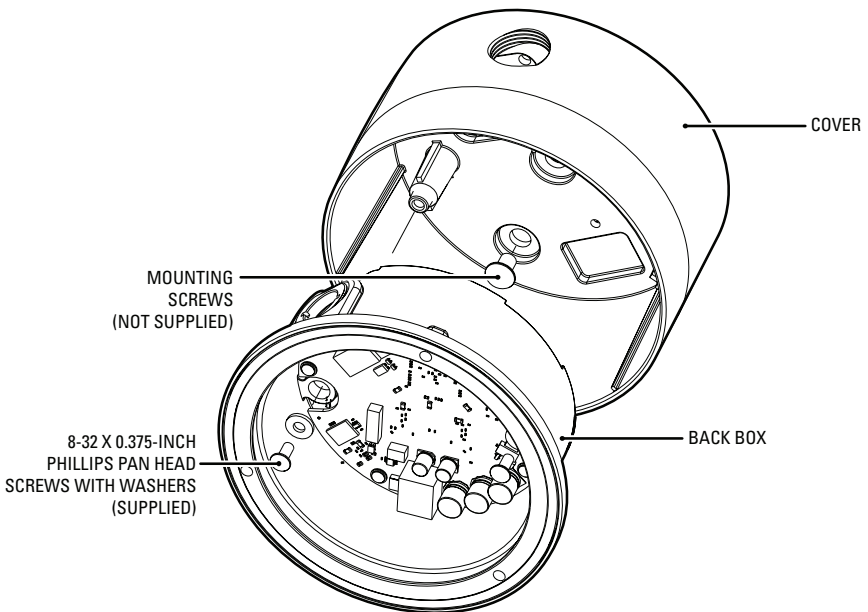
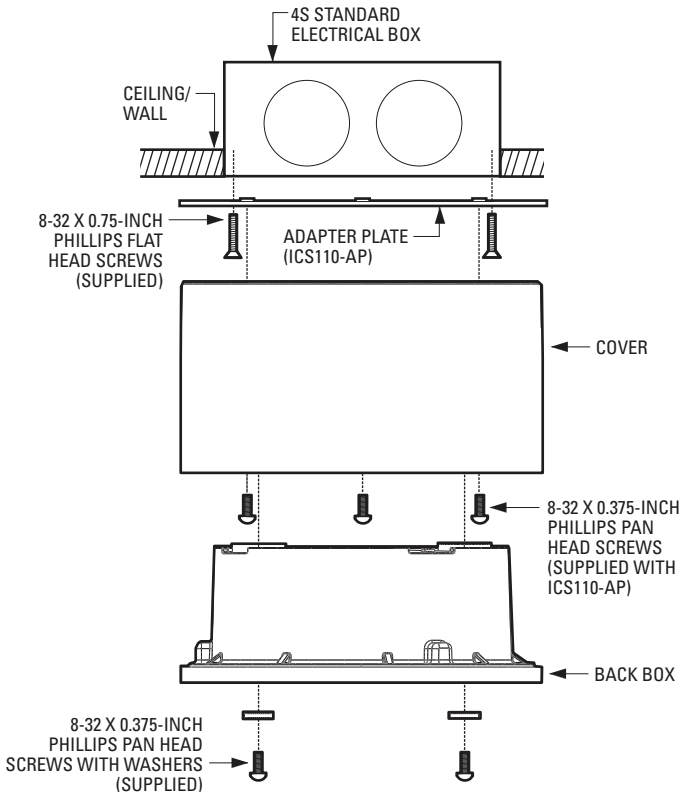


Figure 5. Basic Surface Installation

## 4S ELECTRICAL BOX INSTALLATION

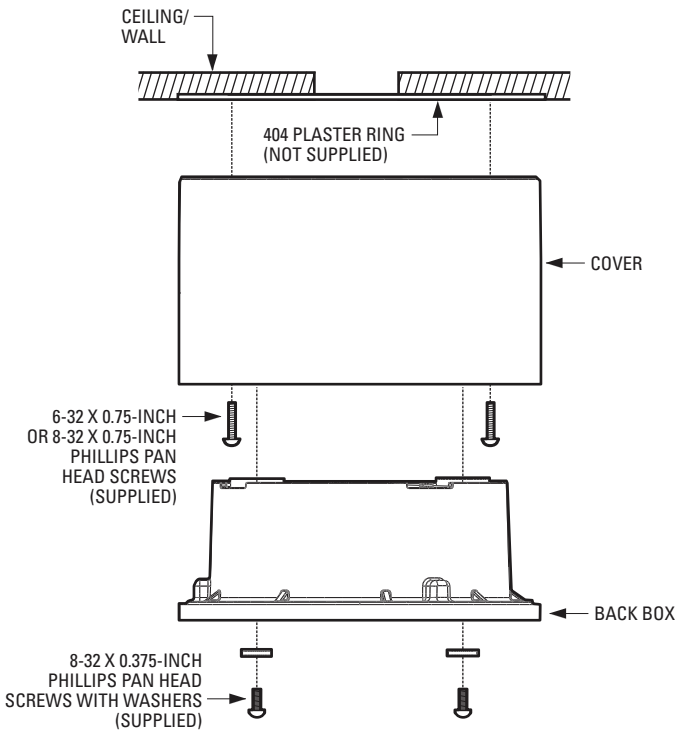
1. Attach an ICS110-AP adapter plate (not supplied) to a 4S electrical box. Use two 8-32 x 0.75-inch Phillips flat head screws (supplied with both the IP110 and the adapter plate).
2. Remove the two 8-32 x 0.375-inch Phillips pan head screws and washers to separate the cover from the back box.
3. Pull the cable/wires into the cover.
4. Attach the cover to the adapter plate with four 8-32 x 0.375-inch Phillips pan head screws (supplied with the adapter plate). Use stainless steel hardware when installing the system outdoors.
5. Install the camera module into the back box before installing the back box into the cover. Rotate the camera module to access the mounting holes inside the back box. Refer to *Camera Module* on page 19 for more information.
6. Connect the cable/wires (refer to *Wiring Tables* on page 14 for information).
7. Reinstall the back box inside the cover. Use the two 8-32 x 0.375-inch Phillips pan head screws and washers (removed earlier) to secure the back box to the cover.



**Figure 6.** 4S Electrical Box Installation

## 404 PLASTER RING INSTALLATION

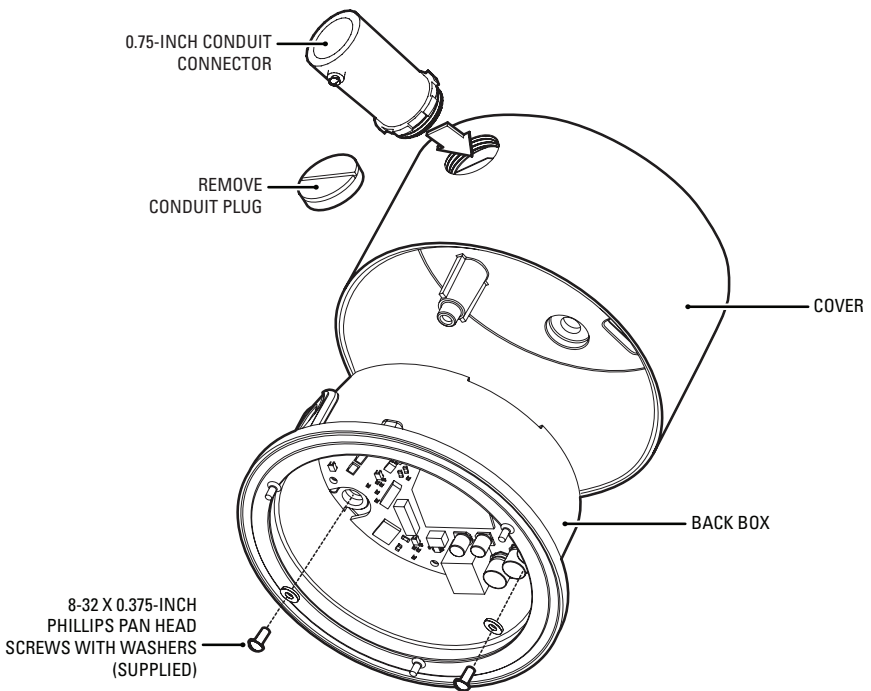
1. Remove the two 8-32 x 0.375-inch Phillips pan head screws and washers to separate the cover from the back box.
2. Pull cable/wires into the cover. Use three supplied 6-32 x 0.75-inch Phillips pan head screws or two supplied 8-32 x 0.75-inch Phillips pan head screws to attach the cover to an installed 404 plaster ring. Use stainless steel hardware when installing the system outdoors.
3. Install the camera module into the back box before installing the back box into the cover. Rotate the camera module to access the mounting holes inside the back box. Refer to *Camera Module* on page 19 for more information.
4. Connect the cable/wires (refer to *Wiring Tables* on page 14 for information).
5. Reinstall the back box inside the cover. Use the two 8-32 x 0.375-inch Phillips pan head screws and washers (removed earlier) to secure the back box to the cover.



**Figure 7.** 404 Plaster Ring Installation

## SIDE CONDUIT INSTALLATION

1. Remove the two 8-32 x 0.375-inch Phillips pan head screws and washers to separate the cover from the back box.
2. Remove the conduit plug from the cover. Install a 0.75-inch (1.91 cm) threaded conduit connector (not supplied) into the conduit hole in the cover.
3. Attach the cover to the mounting surface (hardware not supplied). Use stainless steel hardware when installing the system outdoors.
4. Install the camera module into the back box before installing the back box into the cover. Rotate the camera module to access the mounting holes inside the back box. Refer to *Camera Module* on page 19 for more information.
5. Connect the cable/wires (refer to *Wiring Tables* on page 14 for information).
6. Reinstall the back box inside the cover. Use the two 8-32 x 0.375-inch Phillips pan head screws and washers (removed earlier) to secure the back box to the cover.



**Figure 8.** Side Conduit Installation

# Wiring Tables

## CAT5 CABLE

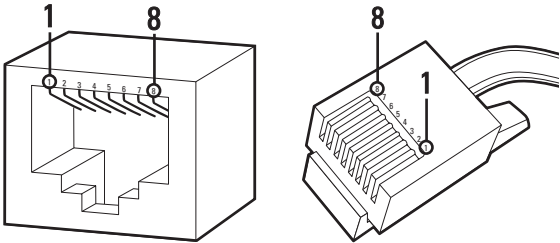
Connect a Cat5 cable to the RJ-45 network connector. The 8-pin connector includes video and PoE for the camera. PoE (IEEE 802.3af) injects power over the same cabling that carries the network data, eliminating the need for a separate power supply. This simplifies the installation and operation of the camera without any degradation of network performance.

**NOTE:** The IP110 Camclosure will auto sense and work with either a cross over cable or straight cable.

Refer to the following wiring table for pin descriptions.

**Table A.** Pin Descriptions

Pin	Function
1	TX+
2	TX-
3	RX+
4	PoE 1-2
5	PoE 1-2
6	RX-
7	PoE 3-4
8	PoE 3-4



The diagram illustrates the 8-pin RJ-45 connector. On the left, a perspective view of the connector housing shows pins 1 and 8 labeled. On the right, a perspective view of the connector with a cable attached shows pins 1 and 8 labeled. The pins are numbered 1 through 8 from left to right.

# ALARM AND 24 VAC WIRES

**Table B.** Wire Descriptions

Wire Color	Description
Black	24 VAC (use only if PoE is not connected)
Red	24 VAC (use only if PoE is not connected)
Blue	Alarm In
Blue/White	Alarm In, Return
Green	Relay Out
Green/White	Relay Out, Return

## CONNECTING A RELAY DEVICE

The IP110 Camclosure has an output for triggering an external device. It supports both momentary and continuous relay operation.

You can operate the relay interactively, during an active connection, or automatically to coincide with certain events. Typical applications include activating a door, gate or lock, or switching on lights or other electrical devices.


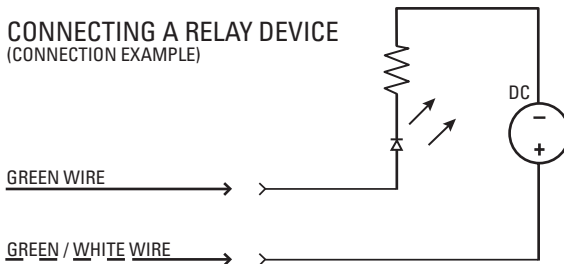
 **WARNING:** Do not exceed the maximum rating of 12 VDC, 0.15 A.

Figure 9 shows how to wire the relay with its power source to the Camclosure.



**Figure 9.** Relay Wiring

**NOTE:** The green/white wire is internally connected to the camclosure chassis. Any connected signalling device should be left floating with respect to the camclosure chassis, otherwise damage could result.

# CONNECTING ALARMS

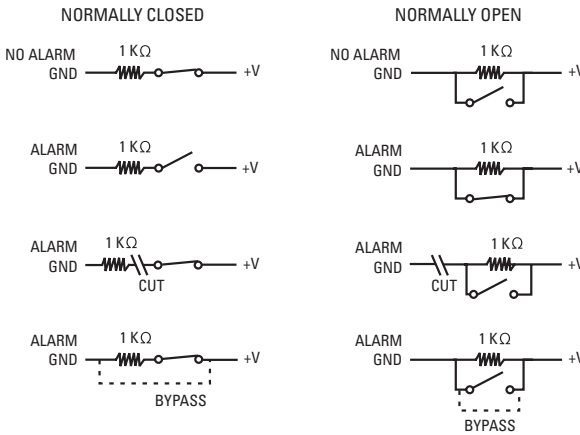
The IP110 Camclosure provides an alarm input for external signaling devices, such as door contacts or motion detectors. Both normally open and normally closed devices are supported.

## Supervised Alarms

When an alarm is configured as a supervised alarm, IP110 Camclosure maintains a constant electrical current through the alarm circuit (3.3 VDC, 1 ohm). If the alarm circuit length changes, due to an electrical short or a bypass, the voltage fluctuates from its normal state. Therefore, the unit triggers an alarm.

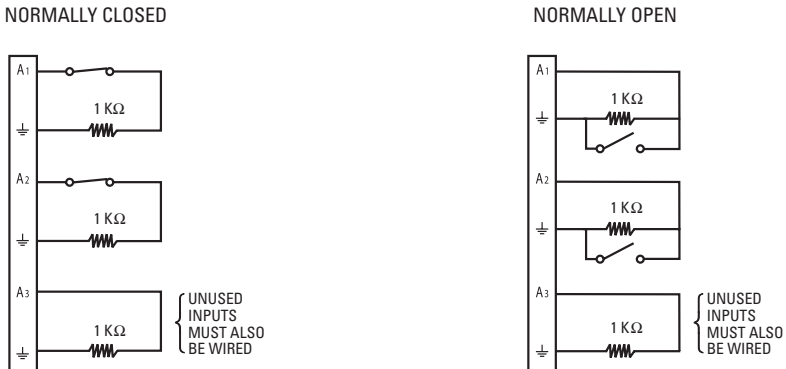
**NOTE:** Install the 1 kohm resistor as close to the switch as possible.

Figure 10 illustrates the alarm and no alarm conditions of a supervised alarm input. Whether the alarm is normally closed or normally open, neither a cut nor a bypass can defeat these alarms.



**Figure 10.** Supervised Alarm Conditions

Figure 11 illustrates the wiring configuration for supervised alarm inputs.



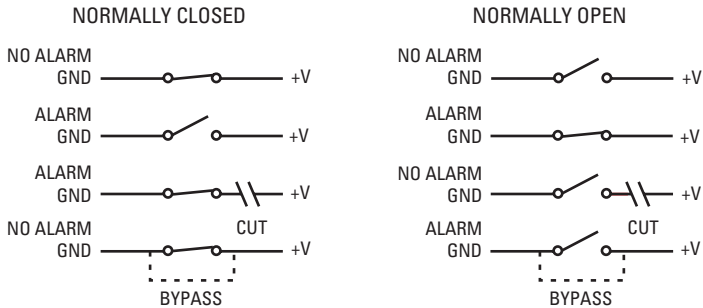
**Figure 11.** Supervised Alarm Input Wiring



## Unsupervised Alarms

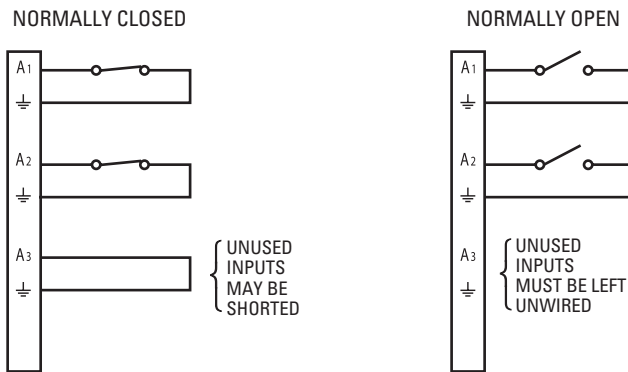
When an alarm is configured as an unsupervised alarm, the Camclosure only triggers an alarm when the normal alarm state (open or closed) changes.

Figure 12 illustrates the alarm and no alarm conditions of an unsupervised alarm input. A normally closed alarm input can be defeated with a bypass. A normally open input can be defeated with a cut.



**Figure 12.** Unsupervised Alarm Conditions

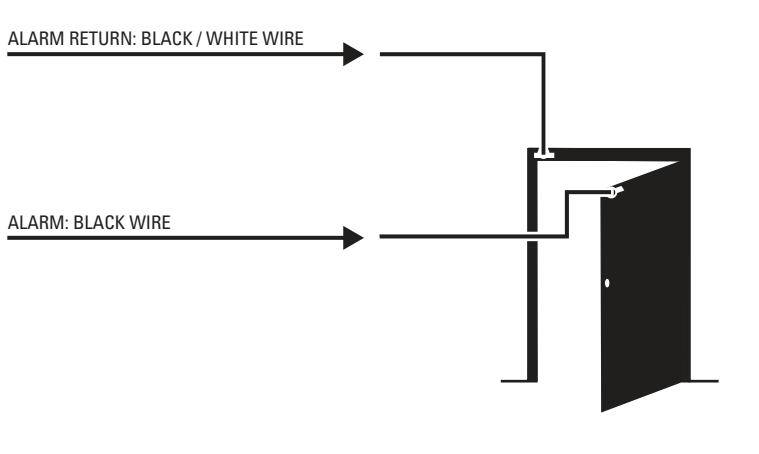
Figure 13 illustrates the wiring configuration for unsupervised alarm inputs.



**Figure 13.** Unsupervised Alarm Input Wiring

## Alarm Connections

Figure 14 shows how to wire the IP110 Camclosure to an alarm (refer to *Wiring Tables* on page 14).



**Figure 14.** Unsupervised Alarm Input Wiring

**NOTE:** The black wire is internally connected to the Camclosure chassis. Do not connect directly to any potential except chassis ground.

# Camera Module

The IP110 Series Camclosure camera module includes the camera, camera bracket, and heater board. To perform most camera adjustments, you must remove the module from the back box.

Use the following instructions to install/remove the camera module.

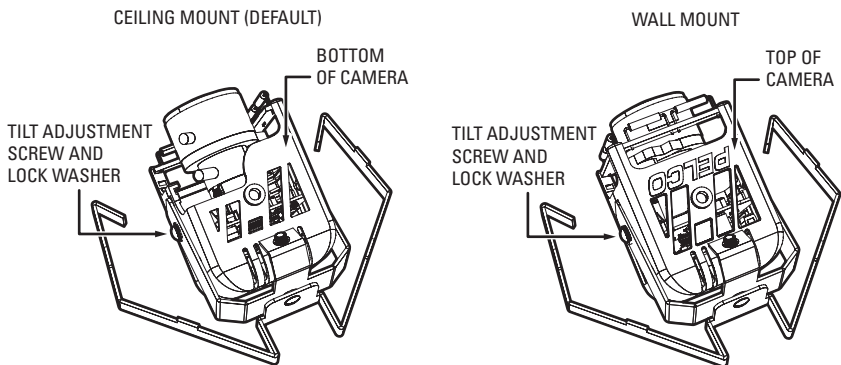
**⚠ WARNING:** Heater elements could be hot! When camera power is on, use caution when adjusting the camera. This applies to all models.

## CAMERA ORIENTATION

At the factory, the camera module is configured for ceiling mounting. For wall mounting, you must change the camera orientation or the video image will be upside down.

To change the camera orientation (refer to Figure 15):

1. Remove the camera module from the back box (if necessary).
2. Remove the tilt adjustment screw and lock washer from each side of the camera.
3. Carefully rotate the camera one half turn. Make sure the wiring harness does not bind.
4. Reinstall the tilt adjustment screw and lock washer on each side of the camera.
5. Verify the camera orientation.

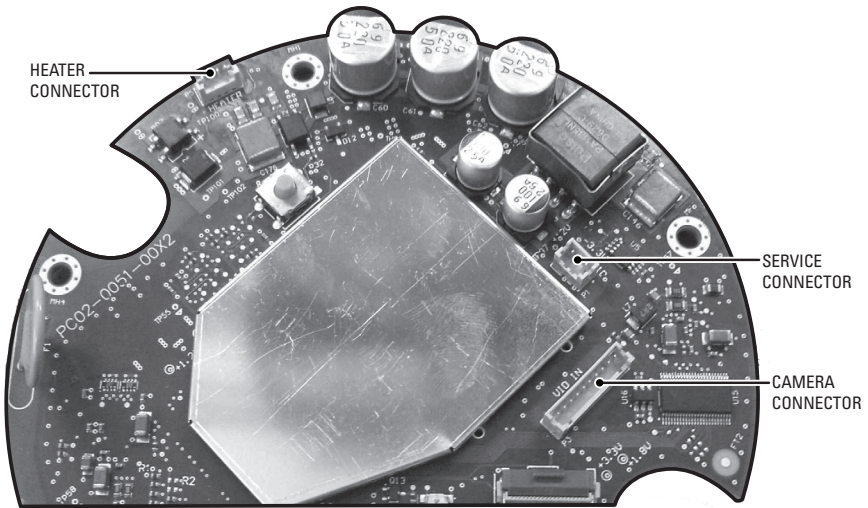


**Figure 15.** Camera Orientation

# MODULE INSTALLATION

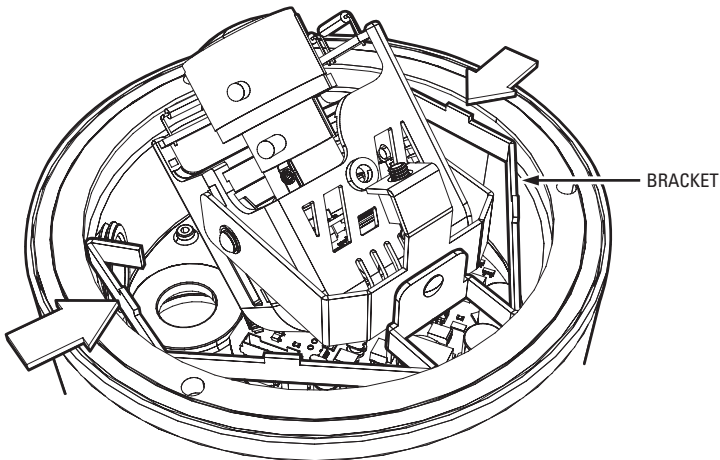
To install the camera module into the back box:

1. Plug the camera (10-pin), heater board (4-pin), and service (3-pin) connectors into the back box (refer to Figure 16).



**Figure 16.** Back Box Connectors

2. Make sure the tabs on the camera bracket and the service connector are pointing out of the enclosure, away from the ceiling or wall.
3. Gently squeeze the bracket, place it against the groove inside the back box, and then gently release (refer to Figure 17).



**Figure 17.** Camera Module Bracket

# Camera Adjustments

---

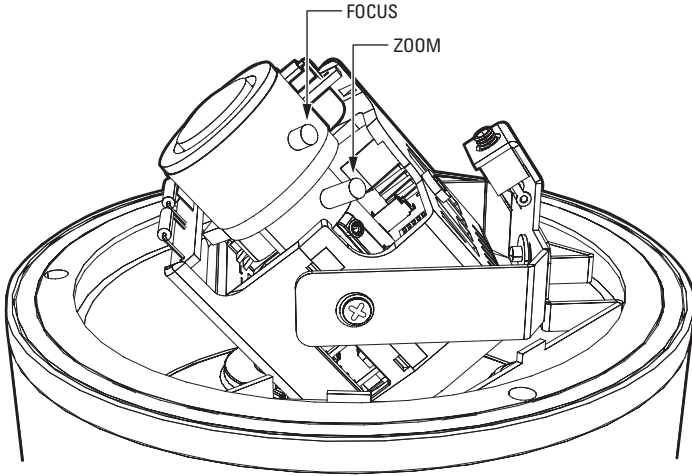
To perform camera adjustments, complete the following steps:

1. Make sure the camera and service connectors are connected to the board inside the back box. You may have to remove the camera module from the back box.
2. Connect a monitor to the service connector (refer to *Service Connector* on page 31). Turn on power to the monitor.
3. Turn on power to the camera. The camera will start the following configuration process:
  - The green LED inside the back box flashes five times per second for approximately two minutes, or until the PC or server recognizes the mini dome.
  - If the dome is not connected to a DHCP PC/server, the green LED will flash for about four minutes before the camera switches to an automated private IP addressing mode.  
**NOTE:** If the IP110 is connected to a DHCP network, the server will automatically assign an IP address to the camera. If the IP110 is connected to static network, the IP address 192.168.0.20 on netmask 255.255.0.0 is automatically assigned to the camera. If the camera has an older software version installed (versions 01.00.0038 and older for IP110 and versions 01.00.0018 for IP3701H), the network will automatically cycle through the IP address range of 169.254.200.0 through 169.254.200.255, on netmask 255.255.0.0. The first available address located will be assigned to the IP110. If the network cannot find an open address in the default range, contact your network administrator.
4. To adjust the camera, you will need a miniature trimpot adjustment tool with a 0.05-inch (1.27 mm) blade. Suggested tools include a miniature flat-tip screwdriver, a Philmore trimpot tool (#63-6808), and the Philmore 10-piece tool set (#63-910).
5. Refer to the following sections for detailed information on camera adjustments:
  - *Varifocal Lens Zoom and Focus Adjustments* on page 22
  - *DN/CH Series Adjustments* on page 23
  - *DW/CW Series (Wide Dynamic Range) Adjustments* on page 26
6. After you have adjusted the unit, reinstall the camera module into the back box, and then install the trim ring, bubble, and dome liner (refer to page 30).

# VARIFOCAL LENS ZOOM AND FOCUS ADJUSTMENTS

To adjust the field of view and the focus:

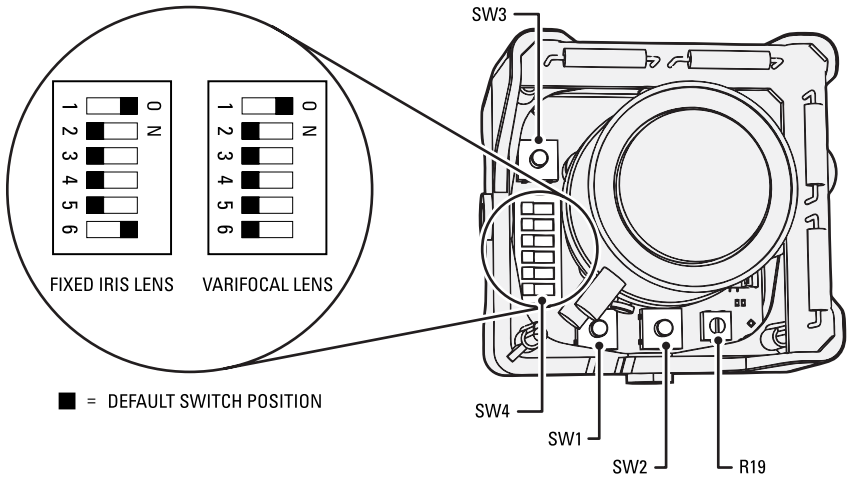
1. Select a field of view by turning the zoom adjustment ring clockwise/counterclockwise (refer to Figure 18).
2. Tighten the zoom locking screw.
3. Adjust the focus by moving the focus locking screw clockwise/counterclockwise.
4. Tighten the focus locking screw.



**Figure 18.** Location of Zoom and Focus Adjustments

# DN/CH SERIES ADJUSTMENTS

Refer to Figure 19 to adjust the IP110-DN or IP110-CH model.



**Figure 19.** Adjusting the IP110-DN/CH Series Camclosure

## SWITCH SETTINGS

Locate the DIP switch. Then set the switches for your installation.

### SW4-1: Auto Gain Control

The automatic gain control (AGC) adjusts the image automatically to compensate for changes in light levels.

Set SW4-1 to ON to enable AGC. Set it to OFF to disable AGC. The default setting is ON.

### SW4-2: Backlight Compensation

The backlight compensation (BLC) feature compensates for backlit scenes by enhancing objects in the center of the scene.

Set SW4-2 to ON to enable BLC. Use this setting if a bright backlight is present and the subject in the center of the picture appears dark or as a silhouette.

Set it to OFF to disable backlight compensation. This is the default setting.

### SW4-3: N/A

## SW4-4: Flickerless

In certain lighting conditions, a flicker in the light source may affect camera operation. Flickering can be caused by a number of conditions, including the quality of the source power and the age and type of fluorescent bulbs and ballasts.

Set SW4-4 to ON to enable flickerless operation. The camera will remove the effects of flickering when present. The shutter speed will be set to 1/120 (NTSC) or 1/100 (PAL).

Set it to OFF to disable flickerless operation. This is the default setting.

**NOTE:** If you enable flickerless operation, you should use AC line lock for best results.

## SW4-5: Auto White Balance/Manual White Balance

Auto white balance (AWB) is enabled by default (OFF).

To manually set and lock the white balance:

1. Set SW4-5 to OFF.
2. Hold a white background in front of the lens until the video shows all white.
3. While holding the background in place, set SW4-5 to ON. A blue blinking block appears on the video image for a few seconds. When the block changes to solid green, the manual white balance (MWB) process is complete.

## SW4-6: Reserved

Do not change SW4-6 from its factory setting. SW4-6 must be set to OFF for Varifocal models; it must be set to ON for fixed iris lenses.

## BLEMISH DETECTION

If small white or color spots appear in the video image, one or more pixels on the camera imager may be defective. (This condition is common for both CCD and CMOS imagers.)

DN and CH Series cameras with auto iris lenses automatically detect and correct defective pixels during startup. Video turns on, then off, and then on again. If white or color spots still appear, you can correct the defective pixels manually.

CH Series cameras with fixed iris lenses do not automatically detect and correct defective pixels. You can correct the defective pixels manually.

To manually correct defective pixels:

1. Cover the lens completely. Make sure no light can enter the lens.  
**NOTE:** The mechanical iris lens aperture does not completely block the light.
2. Press and hold button SW3 for one second. The camera will find and correct defective pixels.  
**NOTE:** Any defective pixels that cannot be completely corrected may still appear.
3. Release button SW3.
4. Uncover the lens for normal camera operation.



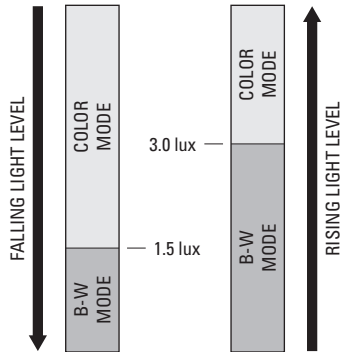
## DAY/NIGHT OPERATION

**NOTE:** This section only applies to DN model cameras.

DN model cameras regularly check the brightness level of the field of view to determine when to switch between day (color) and night (black-white) operation.

Actual brightness threshold levels are affected by camera angle, amount of zoom, field of view, lens, and type of lighting. The switching process lasts from seven to 10 seconds.

Figure 22 and Table C show how the camera switches between color and black-white operation.



**Figure 20.** DN Models Threshold Switching Levels

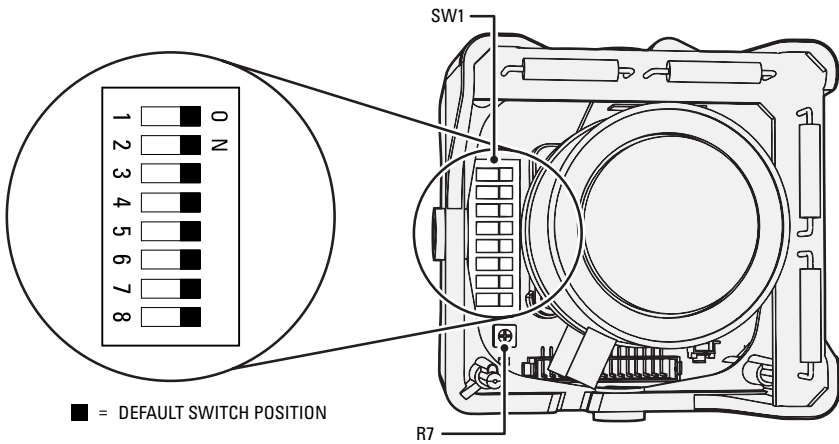
**Table C.** DN Models Switching Thresholds

<b>Color to B-W</b>	1.5 lux $\pm$ 1.0 lux
<b>B-W to Color</b>	3.0 lux $\pm$ 1.0 lux

**NOTE:** These switching thresholds are approximate. Use the thresholds in Table C as a guide when installing the unit.

# DW/CW SERIES (WIDE DYNAMIC RANGE) ADJUSTMENTS

Refer to Figure 21 to adjust the IP110-DW or IP110-CW model.



**Figure 21.** Adjusting the IP110-DW/CW Series Camclosure

## SWITCH SETTINGS

Locate the DIP switch. Then set the switches for your installation.

### SW1-1: Video Format

Set SW1-1 to ON for NTSC. Set it to OFF for PAL. The default setting is ON.

### SW1-2: N/A

### SW1-3: Interlaced Scanning/Progressive Scanning

Interlaced scanning is the standard for analog recording installations. Each frame contains one odd and one even field, each processed separately.

Progressive scanning is better for digital recording installations. Each frame is processed as a whole, which results in less blurring and cleaner digital conversion. It also saves storage space on digital video recorders.

Set SW1-3 to ON to select interlaced scanning.

Set it to OFF to select progressive scanning. The default setting is ON.

## **SW1-4: Auto White Balance/Manual White Balance**

Auto white balance (AWB) is enabled by default (ON).

To manually set and lock the white balance:

1. Set SW1-4 to ON.
2. Hold a white background in front of the lens until the video shows all white.
3. While holding the background in place, set SW1-4 to OFF. A green block and a white block alternate briefly on the video image until the manual white balance (MWB) process is complete.

## **SW1-5: Fluorescent/General**

Enable this option to adjust the camera for best operation under fluorescent lighting.

Set SW1-5 to OFF for fluorescent lighting. Set it to ON for general lighting. The default setting is ON.

**NOTE:** If you use fluorescent operation, you should use AC line lock for best results.

## **SW1-6: General/Maximum Wide Dynamic Range**

Maximum wide dynamic range (WDR) supports about 36 dB of additional dynamic range over a standard camera. Use it for installations that require the maximum WDR.

General WDR supports about 20 dB of additional dynamic range over a standard camera. Use it for installations that do not require the maximum WDR.

Set SW1-6 to ON to select maximum WDR. Set it to OFF to select general WDR. The default setting is ON.

## **SW1-7: Digital Slow Shutter**

The default shutter speed for NTSC is 30 frames per second (fps). It is 25 fps for PAL. This is also known as SENS 2X.

You can decrease the shutter speed to 7.5 fps (NTSC) or 6.25 fps (PAL). This is known as SENS 8X, which improves low light sensitivity.

Set SW1-7 to ON to select SENS 2X. Set it to OFF to select SENS 8X. The default setting is ON.

## **SW1-8: Day/Night Operation (DW models only)**

**NOTE:** On CW models, SW1-8 is unused and does not affect camera operation.

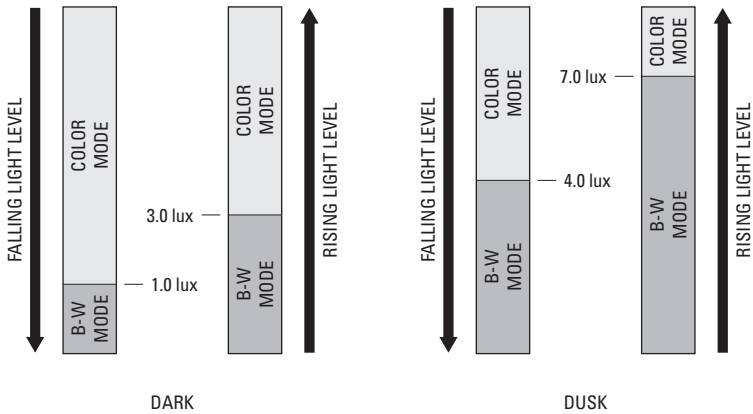
DW model cameras regularly check the brightness level of the field of view to determine when to switch between day (color) and night (black-white) operation. Use SW1-8 to set the general light levels at which the camera will automatically switch.

Set SW1-8 to ON (dark) to use standard thresholds to switch between color and black-white operation. This is the default.

Set it to OFF (dusk) to use higher light thresholds to switch between color and black-white operation.

Actual brightness threshold levels are affected by camera angle, amount of zoom, field of view, lens, and type of lighting. The switching process lasts from seven to 10 seconds.

Figure 20 and Table D show how the camera switches between color and black-white operation for each setting.



**Figure 22.** DW Models Threshold Switching Levels

**Table D.** DW Models Switching Thresholds

	<b>Dark (ON)</b>	<b>Dusk (OFF)</b>
<b>Color to B-W</b>	1.0 lux	4.0 lux
<b>B-W to Color</b>	3.0 lux	7.0 lux

**NOTE:** These switching thresholds are approximate and were measured using a 3.0 mm to 9.5 mm lens at f/1.0. Use the thresholds in Table D as a guide when installing the unit.

## AUTO IRIS LEVEL ADJUSTMENT

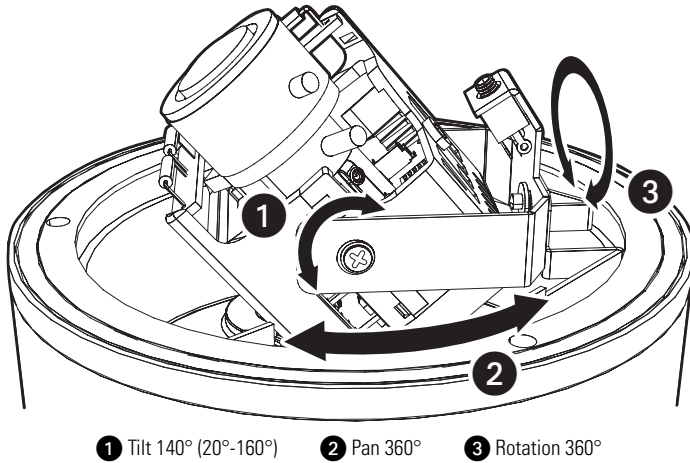
The electronics of the IP110-DW and IP110-CW Series Camclosures automatically adjust the camera to the auto iris. Auto iris level adjustments are not necessary.

# Camera Positioning

---

Manually rotate and tilt the camera module to position the camera. Then tighten the tilt screws (axis 1 in Figure 23).

**NOTE:** Do not over-rotate the module. Excessively turning the module in one direction could result in damage to the wiring.

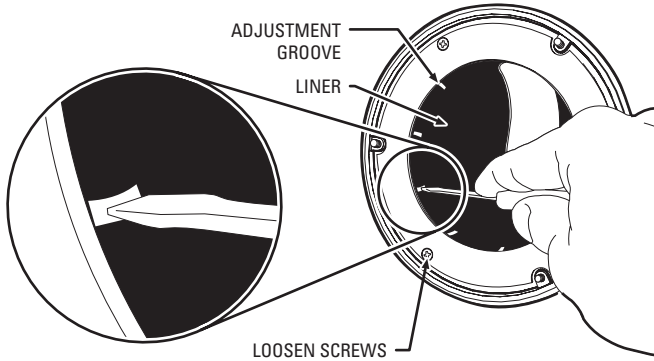


**Figure 23.** Positioning the Camera

# Install Dome and Trim Ring

---

1. To adjust the dome liner refer to Figure 24 and complete the following steps:
  - a. Align the screw holes in the trim ring with those in the back box to identify the proper dome liner position.
  - b. Loosen the three Phillips screws located in the trim ring.
  - c. Insert the blade of a standard screwdriver in one of the adjustment grooves. Rotate the dome liner to position the viewing window over the camera lens.
  - d. Tighten the three Phillips screws to lock the dome liner in place.

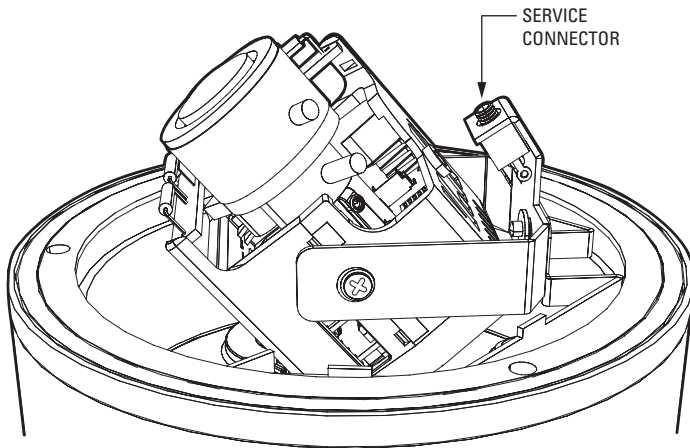


**Figure 24.** Dome Liner Adjustment

2. Align the screw holes in the trim ring with those in the back box.
3. Tighten the tamper-resistant screws through the trim ring into the back box. Use the supplied 1/8-inch hollow screwdriver bit.

# Service Connector

The IP110 Series Camclosure integrated camera system includes a service connector that outputs camera video. Use it at the installation site to set up the field of view and focus the camera.



**Figure 25.** Service Connector

Pelco offers two optional items (CST150 and ICS-SC) that plug directly into the service connector. Before using either option, you must loosen the tamper-resistant screws to remove the trim ring from the back box. Use the supplied 1/8-inch hollow screwdriver bit.

The CST150 has a 3-foot (0.9 m) cable and microdisplay for viewing camera video. Plug it into the service connector and view the video.

**NOTE:** The three buttons on the CST150 are not used with the IP110 Series Camclosure.

The ICS-SC has a 4-foot (1.2 m) cable with a service connector and a BNC connector. Plug the service connector into the unit. Then connect the other end to any standard BNC (VIDEO IN) connector on a monitor.

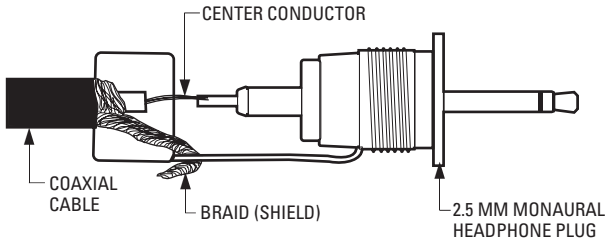
To assemble a longer service cable for the Camclosure integrated camera system, purchase the following from a local electronics supply store:

Qty	Description
1	2.5 mm monaural headphone plug
1	CPM 88 miniature coaxial connector
1	RG174/U coaxial cable

To assemble the cable:

1. Attach the CPM 88 miniature coaxial connector to one end of the cable. Follow the directions supplied with the miniature coaxial connector.
2. Attach the 2.5 mm monaural plug to the other end of the coaxial cable (refer to Figure 26):
  - a. Remove the support sleeve from the plug.
  - b. Slip the support sleeve over the end of the cable.
  - c. Prepare the cable.

- d. Solder the center connector of the cable to the center pin of the plug.
- e. Thread the braid of the cable through the hole in the crimp pin.
- f. Solder the braid to the top of the crimp pin.
- g. Crimp the end of the crimp pin around the cable.
- h. Reassemble the support sleeve and the plug.



**Figure 26.** Attaching the 2.5 mm Monaural Headphone Plug



# Reset Button

Use the reset button located on the board inside the back box to access the following modes:

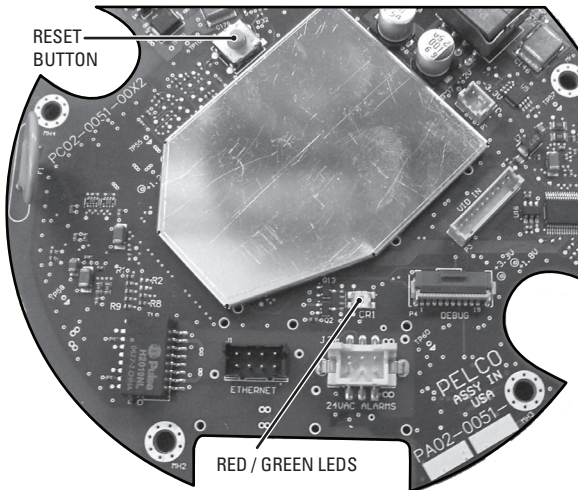
Mode	Function	Unit Status Indicator Light
Configuration	Starts reset LED selection sequence.	Flashes green.
Reboot	Restarts the unit.	Flashes green and red simultaneously, when entering this mode. The LED then flashes green when mode is selected and during the reboot.
Reset	Resets unit to factory default settings and then restarts unit.	Flashes red when entering this mode. Flashes red when mode is selected, and then flashes green when camera restarts. Camera is offline during reset mode.
Cancel	Cancels any configuration or reset action.	No light.

To access one of these modes:

1. Press and hold the reset button. The unit starts cycling through the modes; hold the button for four seconds to access (cycle through) each mode. The unit status indicator flashes the color for the current mode (refer to the table above).
2. When the color of the desired mode appears, release the button.

## NOTES:

- If there is no configuration activity for 15 minutes, the camera will automatically exit the reset mode.
- The LED is not lit during normal operation.



**Figure 27.** Location of Reset Button and LEDs

# Troubleshooting

Problem	Possible Cause	Suggested Remedy
No video	PoE power issue	<ul style="list-style-type: none"> <li>• Check Cat5 cable connection.</li> <li>• Verify PoE is enabled.</li> <li>• Disconnect the Cat5 cable from the PoE and then reconnect the cable. Check the LED inside the back box to see if it is flashing green, indicating the camera has power.</li> </ul>
	Power issue (24 VAC)	<ul style="list-style-type: none"> <li>• Check the 24 VAC power supply connection.</li> <li>• Disconnect the network cable and then reconnect it to the camera. Check the LED inside the back box to verify if it is flashing green, indicating the camera has power.</li> </ul>
	Network connectivity issues	<ul style="list-style-type: none"> <li>• Check network cable connections.</li> <li>• Disconnect the network cable and then reconnect it to the camera. Check the LED inside the back box to verify if it is flashing green.</li> <li>• Replace network cable with new cable. If new cable does not work, contact Pelco Product Support at 1-559-292-1981 or 1-800-289-9100.</li> </ul>
	Defective camera	<ul style="list-style-type: none"> <li>• Check the camera's 10-pin connector inside the back box to make sure it is connected.</li> <li>• Use a service connector to check camera operation. Connect one end of the service connector to the service connector input inside the back box. Then connect the other end of the service connector to a monitor.</li> <li>• Replace camera module with new camera. If the new camera does not work, contact Pelco Product Support Department at 1-559-292-1981 or 1-800-289-9100.</li> </ul>
Image too dark/ black image	Installation error	<ul style="list-style-type: none"> <li>• Make sure the lens cover is not installed.</li> <li>• Make sure camera is not located in an environment with zero light.</li> <li>• Use a service connector to check camera operation. Connect one end of the service connector to the service connector input inside the back box. Then connect the other end of the service connector to a monitor.</li> <li>• Replace camera module with new camera. If the new camera does not work, contact Pelco Product Support at 1-559-292-1981 or 1-800-289-9100.</li> </ul>

<b>Problem</b>	<b>Possible Cause</b>	<b>Suggested Remedy</b>
Image too light	Installation error	<ul style="list-style-type: none"> <li>• Check DIP switch settings.</li> <li>• Use a service connector to check camera operation. Connect one end of the service connector to the service connector input inside the back box. Then connect the other end of the service connector to a monitor.</li> <li>• Replace camera module with new camera. If the new camera does not work, contact Pelco Product Support at 1-559-292-1981 or 1-800-289-9100.</li> </ul>
Image only displayed in black and white	Color level setting	<ul style="list-style-type: none"> <li>• Check DIP switch settings.</li> <li>• Use a service connector to check camera operation. Connect one end of the service connector to the service connector input inside the back box. Then connect the other end of the service connector to a monitor.</li> <li>• Replace camera module with new camera. If the new camera does not work, contact Pelco Product Support at 1-559-292-1981 or 1-800-289-9100.</li> </ul>
	IR cut filter setting	<ul style="list-style-type: none"> <li>• Check DIP switch settings.</li> <li>• Use a service connector to check camera operation. Connect one end of the service connector to the service connector input inside the back box. Then connect the other end of the service connector to a monitor.</li> <li>• Add direct light to camera. Wait 30 seconds to see if IR cut filter is functioning.</li> <li>• Replace camera module with new camera. If the new camera does not work, contact Pelco Product Support at 1-559-292-1981 or 1-800-289-9100.</li> </ul>
Flickering in image	Flickerless setting	<ul style="list-style-type: none"> <li>• Check DIP switch settings.</li> <li>• Check power supply specifications.</li> <li>• Replace camera module with new camera. If the new camera does not work, contact Pelco Product Support at 1-559-292-1981 or 1-800-289-9100.</li> </ul>
Camera not discovered	No camera power	Verify the camera is powered correctly with PoE or with 24 VAC. Confirm power consumption with Web interface of PoE-capable switch or through blinking green LED during camera power up.
	Network conflict	<ul style="list-style-type: none"> <li>• Verify the camera is physically connected to the same network as the PC running the Device Utility.</li> <li>• The utility will not work on a network that blocks multicast traffic.</li> <li>• Confirm the green LED blinks when power is applied to the camera, indicating network connectivity.</li> </ul>

<b>Problem</b>	<b>Possible Cause</b>	<b>Suggested Remedy</b>
Network not working	Faulty cable connection	Check all cable connections and ensure all plugs are properly plugged in.
	Incorrect serial device configuration	A hub will not work with the available network bandwidth shared across all ports. Use a Fast Ethernet switch, Gigabit Ethernet switch, or a cable modem router with an n-Port switch.
	Network connectivity issues	Contact your network administrator.
Unable to sync to an Endura® system manager or NTP server after changing networks	Network connectivity issues	<ul style="list-style-type: none"> <li>• Disconnect the power cable (either PoE or 24 VAC) and then reconnect it to the camera. Power is indicated by the LED. The LED will flash (green) five times per second for approximately two minutes if the camera has power.</li> <li>• Reset the camera's factory defaults. Refer to <i>Reset Button</i> on page 33.</li> </ul>

# Specifications

---

## GENERAL

Pan/Tilt Adjustment	Manual
Pan	360°
Tilt	80° (20° to 100° range)
Rotation	360°
Construction	Aluminum with steel camera mounting bracket and polycarbonate dome
Cable Entry	One 0.75-inch (1.91 cm) NPT threaded opening on side; two 0.75-inch (1.91 cm) openings on NEMA cover
Finish	Gray polyester powder coat
Light Attenuation	
Smoked	f/1.5 light loss
Clear	Zero light loss
Unit Weight	2.2 lb (1.0 kg)

## ELECTRICAL

Ports	RJ-45 connector for 100Base-TX Auto MDI/MDI-X Autonegotiate/Manual setting
Cabling Type	Cat5 or better for 100Base-TX
Input Voltage	24 VAC (18-36) or PoE (IEEE802.3af)
Power Consumption	<7.5 W, <13 W with heaters 24VAC: <0.5 A, <0.9 A with heaters
Alarm Input	10 VDC maximum, 5mA maximum
Alarm Output	0 to 15 VDC maximum, 75 mA maximum
Service Connector	Internal to housing 3-connector, 2.5 mm connector providing NTSC/PAL video outputs

## VIDEO

Signal System	NTSC or PAL
Compression	MPEG-4, MJPEG in Web viewing mode
Video Streams	3, simultaneous
Video Resolutions	NTSC            PAL
4CIF	704 x 480      704 x 576
2CIF	704 x 240      704 x 288
CIF	352 x 240      352 x 288
QCIF	176 x 120      176 x 144
Bit Rate Configurable	20 kbps to 2 Mbps per stream, implements EnduraView™
Video Access form	
Web Browser	Camera live view for up to 10 video sources
Users	10 simultaneous users, unlimited number of users using multicast
Minimum Web Browser Requirements	PC (Pentium® 4 microprocessor, 1.6 GHz) with Windows® 98, Windows 2000, Windows XP (or later) or Mac® OS X 10.3.9 (or later)
RAM	512 Mbyte
Ethernet Card	100 Mbit
Web Browser	Internet Explorer 5.5 (or later) or Firefox 1.5 (or later)
Screen Resolution	1024 x 768 pixels or higher, 16- or 32-bit pixel color resolution

## ENVIRONMENTAL

Environment  
Operating Temperature  
Thermostat Operation

Low temperature, indoor/outdoor  
-50° to 122°F (-46° to 50°C); de-ices to 25°F (-4°C)  
Heater is thermostatically controlled to activate <41°F (<5°C)

## CAMERA

Service Connector  
Imaging Device  
Picture Elements  
DW/CW  
DN/CH

3-conductor, 2.5 mm connector for video output to optional ICS-SC cable  
1/3-inch imager  
NTSC  
PAL  
720 (H) x 540 (V)  
720 (H) x 540 (V)  
768 (H) x 494 (V)  
752 (H) x 582 (V)

Dynamic Range  
DW/CW

102 dB typical/120 dB maximum

Signal System

NTSC or PAL

Scanning System

DW/CW

2:1 interlace/progressive scanning (DIP switch selectable)

DN/CH

2:1 interlace

Synchronization

Internal

Electronic Shutter Range

Auto (1/15 to 1/22,000)

## LENS

Type  
Focal Length  
Format Size

Varifocal with auto iris  
3.0 mm ~ 9.5 mm  
9.0 mm ~ 22.0 mm  
1/3-inch

Operation

Iris

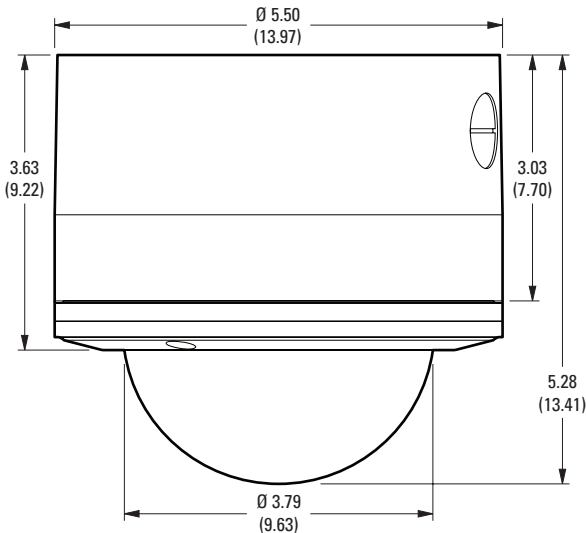
Auto (DC drive)

Focus

Manual

Zoom

Manual



NOTE: VALUES IN PARENTHESES ARE CENTIMETERS; ALL OTHERS ARE INCHES.

*(Design and product specifications subject to change without notice.)*

# PRODUCT WARRANTY AND RETURN INFORMATION

## WARRANTY

Pelco will repair or replace, without charge, any merchandise proved defective in material or workmanship **for a period of one year** after the date of shipment.

Exceptions to this warranty are as noted below:

- Five years on fiber optic products and TW3000 Series unshielded twisted pair (UTP) transmission products.
- Three years on Spectra® IV products.
- Three years on Genex® Series products (multiplexers, server, and keyboard).
- Three years on DX Series digital video recorders, DVR5100 Series digital video recorders, DigitalSENTRY® Series hardware products, DVX Series digital video recorders, NVR300 Series network video recorders, and Endura® Series distributed network-based video products.
- Three years on Camclosure® and Pelco-branded fixed camera models, except the CC3701H-2, CC3701H-2X, CC3751H-2, CC3651H-2X, MC3651H-2, and MC3651H-2X camera models, which have a five-year warranty.
- Three years on PMCL200/300/400 Series LCD monitors.
- Two years on standard motorized or fixed focal length lenses.
- Two years on Legacy®, CM6700/CM6800/CM9700 Series matrix, and DF5/DF8 Series fixed dome products.
- Two years on Spectra III™, Spectra Mini, Espirit®, ExSite®, and PS20 scanners, including when used in continuous motion applications.
- Two years on Esprit and WW5700 Series window wiper (excluding wiper blades).
- Two years (except lamp and color wheel) on Digital Light Processing (DLP®) displays. The lamp and color wheel will be covered for a period of 90 days. The air filter is not covered under warranty.
- Two years on Intelli-M® eIDC controllers.
- One year (except video heads) on video cassette recorders (VCRs). Video heads will be covered for a period of six months.
- Six months on all pan and tilts, scanners, or preset lenses used in continuous motion applications (preset scan, tour, and auto scan modes).

Pelco will warrant all replacement parts and repairs for 90 days from the date of Pelco shipment. All goods requiring warranty repair shall be sent freight prepaid to a Pelco designated location. Repairs made necessary by reason of misuse, alteration, normal wear, or accident are not covered under this warranty.

Pelco assumes no risk and shall be subject to no liability for damages or loss resulting from the specific use or application made of the Products. Pelco's liability for any claim, whether based on breach of contract, negligence, infringement of any rights of any party or product liability, relating to the Products shall not exceed the price paid by the Dealer to Pelco for such Products. In no event will Pelco be liable for any special, incidental, or consequential damages (including loss of use, loss of profit, and claims of third parties) however caused, whether by the negligence of Pelco or otherwise.

The above warranty provides the Dealer with specific legal rights. The Dealer may also have additional rights, which are subject to variation from state to state.

If a warranty repair is required, the Dealer must contact Pelco at (800) 289-9100 or (559) 292-1981 to obtain a Repair Authorization number (RA), and provide the following information:

1. Model and serial number
2. Date of shipment, P.O. number, sales order number, or Pelco invoice number
3. Details of the defect or problem

If there is a dispute regarding the warranty of a product that does not fall under the warranty conditions stated above, please include a written explanation with the product when returned.

Method of return shipment shall be the same or equal to the method by which the item was received by Pelco.

## RETURNS

To expedite parts returned for repair or credit, please call Pelco at (800) 289-9100 or (559) 292-1981 to obtain an authorization number (CA number if returned for credit, and RA number if returned for repair) and designated return location.

All merchandise returned for credit may be subject to a 20 percent restocking and refurbishing charge.

Goods returned for repair or credit should be clearly identified with the assigned CA or RA number and freight should be prepaid.

1-8-08

## REVISION HISTORY

Manual #	Date	Comments
C3432M	3/07	Original version.
C3432M-A	5/07	Cable harnesses modified per ECO 07-17470. Added picture elements to specifications.
C3432M-B	8/07	Added FCC Class B and revised DIP switch setting adjustments.
C3434M-C	11/07	Revised figures 20 and 22.
C3432M-D	1/08	Added Open Source Software Notice.
C3432M-E	4/08	Removed references to JRE per CN21186.
C3432M-F	6/08	Changed static IP address to new default 192.168.0.20 per CN21529.

Pelco, the Pelco logo, Camclosure, Esprit, Endura, ExSite, Genex, Legacy, and Spectra are registered trademarks of Pelco, Inc.

Endura Enabled, EnduraView, and Spectra III are trademarks of Pelco, Inc.

©Copyright 2008, Pelco, Inc.

DLP is a registered trademark of Texas Instruments, Inc.

Microsoft, Windows, and Internet Explorer are registered trademarks of Microsoft Corporation.

Firefox is a registered trademark of the Mozilla Foundation.

Pentium is a registered trademark of Intel Corporation.

All rights reserved.



Worldwide Headquarters  
3500 Pelco Way  
Clovis, California 93612 USA

USA & Canada  
Tel: (800) 289-9100  
Fax: (800) 289-9150  
International  
Tel: +1 (559) 292-1981  
Fax: +1 (559) 348-1120

[www.pelco.com](http://www.pelco.com)

ISO9001

Australia | Finland | France | Germany | Italy | Macau | The Netherlands | Russia | Singapore  
South Africa | Spain | Sweden | United Arab Emirates | United Kingdom | United States



## Free Manuals Download Website

<http://myh66.com>

<http://usermanuals.us>

<http://www.somanuals.com>

<http://www.4manuals.cc>

<http://www.manual-lib.com>

<http://www.404manual.com>

<http://www.luxmanual.com>

<http://aubethermostatmanual.com>

Golf course search by state

<http://golfingnear.com>

Email search by domain

<http://emailbydomain.com>

Auto manuals search

<http://auto.somanuals.com>

TV manuals search

<http://tv.somanuals.com>