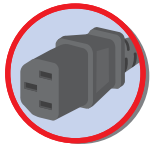


Legend



POWER CORD



POWER SWITCH



MONITOR 1



MONITOR 32



CAMERA 17



CAMERA 1



CAMERA 256



DATA



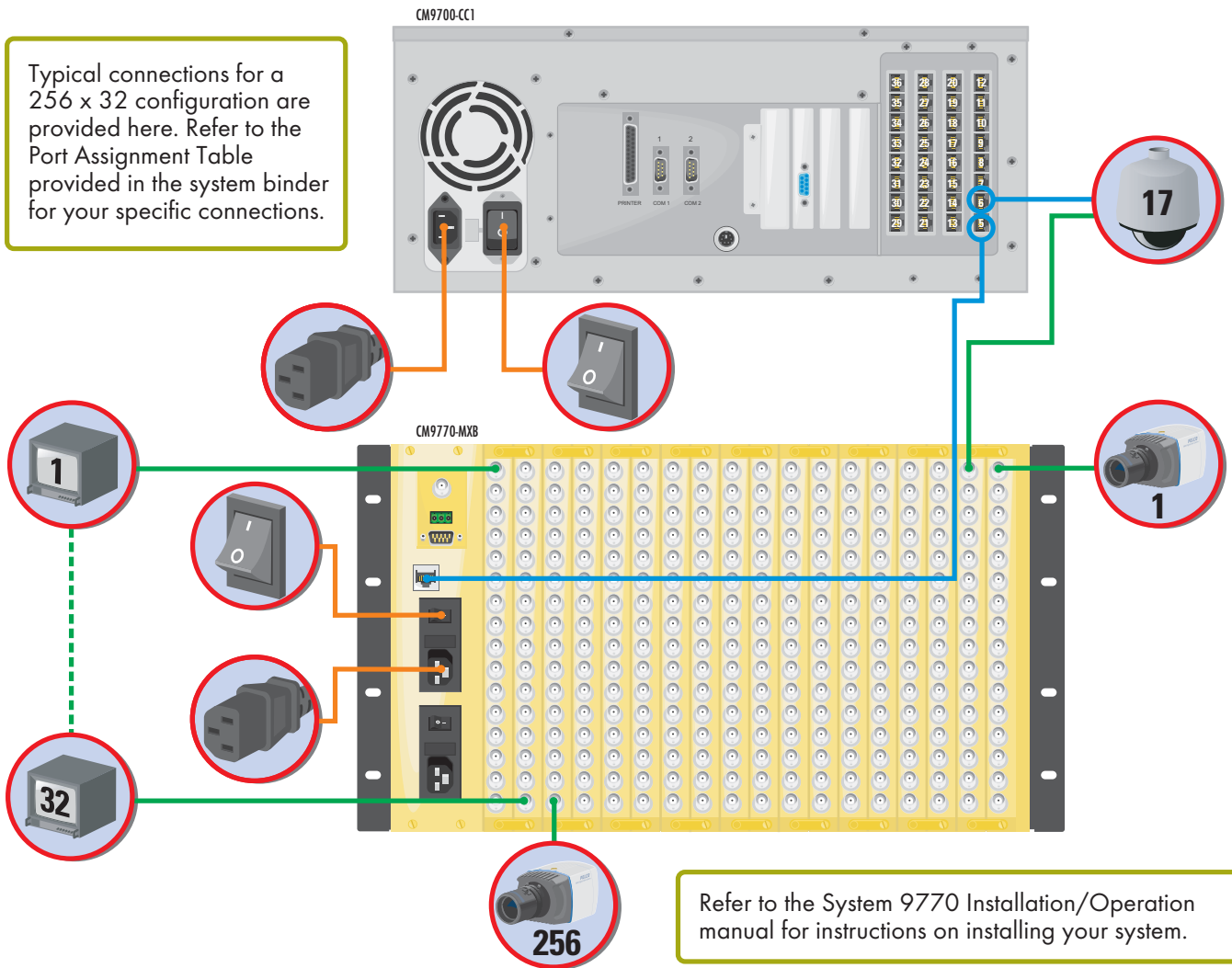
VIDEO



POWER

Basic CM9770-MXB Installation

Typical connections for a 256 x 32 configuration are provided here. Refer to the Port Assignment Table provided in the system binder for your specific connections.



Refer to the System 9770 Installation/Operation manual for instructions on installing your system.

Free Manuals Download Website

<http://myh66.com>

<http://usermanuals.us>

<http://www.somanuals.com>

<http://www.4manuals.cc>

<http://www.manual-lib.com>

<http://www.404manual.com>

<http://www.luxmanual.com>

<http://aubethermostatmanual.com>

Golf course search by state

<http://golfingnear.com>

Email search by domain

<http://emailbydomain.com>

Auto manuals search

<http://auto.somanuals.com>

TV manuals search

<http://tv.somanuals.com>