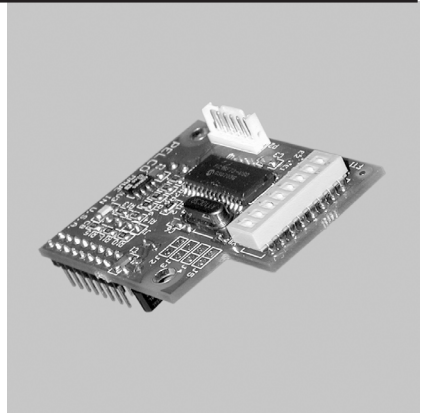




TXB-AD Translator Board



C1492M-I (8/05)

Contents

Regulatory Notices	3
Important Notice	4
Description	5
Esprit Integrated Positioning System Installation	6
TXB-AD Translator Board Installation and Settings	6
Esprit System Settings and Connections	8
Spectra Dome Installation	10
TXB-AD Translator Board Installation and Settings	10
Spectra System Settings and Connections	13
ExSite Explosionproof System Installation	14
TXB-AD Translator Board Installation and Settings	14
ExSite Explosionproof System Settings	17
Operation	18
Troubleshooting	21
Appendix	22

List of Illustrations

1	Esprit System Pan and Tilt	6
2	TXB-AD Translator Board Layout, Front and Back	7
3	Receiver Location	7
4	Proper Installation of Cover	8
5	How to Install Cover	9
6	TXB-AD Translator Board Layout, Front and Back	10
7	Receiver Location	11
8	Spectra Dome System, Interconnect Door	12
9	Spectra Dome System, Circuit Board	12
10	Dome Drive Installation	13
11	Spanner Wrench	14
12	Removal of Pan and Tilt Unit	14
13	TXB-AD Translator Board Layout, Front and Back	15
14	Receiver Location	15
15	TXB-AD Board Installation	16

List of Tables

A	TXB-AD DIP Switch Settings	22
B	American Dynamics Camera Assignments	23
C	Switch Settings for SW2	27
D	Switch Settings for SW1	29

Regulatory Notices

This device complies with Part 15 of the FCC Rules. Operation is subject to the following two conditions: (1) this device may not cause harmful interference, and (2) this device must accept any interference received, including interference that may cause undesired operation.

RADIO AND TELEVISION INTERFERENCE

This equipment has been tested and found to comply with the limits of a Class B digital device, pursuant to Part 15 of the FCC Rules. These limits are designed to provide reasonable protection against harmful interference in a residential installation. This equipment generates, uses, and can radiate radio frequency energy and, if not installed and used in accordance with the instructions, may cause harmful interference to radio communications. However there is no guarantee that the interference will not occur in a particular installation. If this equipment does cause harmful interference to radio or television reception, which can be determined by turning the equipment off and on, the user is encouraged to try to correct the interference by one or more of the following measures:

- Reorient or relocate the receiving antenna.
- Increase the separation between the equipment and the receiver.
- Connect the equipment into an outlet on a circuit different from that to which the receiver is connected.
- Consult the dealer or an experienced radio/TV technician for help.

You may also find helpful the following booklet, prepared by the FCC: "How to Identify and Resolve Radio-TV Interference Problems." This booklet is available from the U.S. Government Printing Office, Washington D.C. 20402.

Changes and modifications not expressly approved by the manufacturer or registrant of this equipment can void your authority to operate this equipment under Federal Communications Commission's rules.

This Class B digital apparatus complies with Canadian ICES-003.

Cet appareil numérique de la classe B est conforme à la norme NMB-003 du Canada.

Important Notice

All companies make changes and improvements in their products on a regular basis. Because this product is interfacing with equipment not manufactured by Pelco, the possibility exists that the interface protocols have changed or are in a different configuration from earlier tested units; therefore, an incompatibility may occur. The existence of prior successful installations indicates our intent to provide equipment compatible with other manufacturers, but does not guarantee successful results without on-site integration testing.

Pelco recommends purchasing a single unit for bench testing before the purchase and installation of this product in quantity. Should any problems occur, Pelco will provide on-site technical support (North American installations only) to analyze the interface protocols of your system. We will typically schedule this visit within one week of when the problem is reported to Pelco Technical Support. Pelco will endeavor, at its expense, to correct the interface incompatibility within two weeks on a high priority basis. During these visits, the end user must agree to give Pelco reasonable access to the system in order to study and correct the protocol incompatibility.

In the unlikely event that Pelco is unable to make the translator work in the system, Pelco will accept the return of any Pelco products associated with the translator and refund the amounts paid for these products plus freight expenses. Because Pelco recommends a bench test prior to installation, Pelco will not be liable for any installation costs or lost revenues in the event it cannot solve the compatibility problem.

Description

The TXB-AD translator board allows American Dynamics controllers to communicate with Pelco's Esprit[®], ExSite[™], and Spectra[®] systems. Once installed the Spectra dome, ExSite, or Esprit system receives Manchester code commands from the American Dynamics controller and converts the commands into Pelco's D protocol.

The TXB-AD has been tested and shown to work with the following American Dynamics systems:

- AD168 Matrix Switcher
- AD1600 Series
- AD1983 Control Code Converter
- AD2091 Series
- AD2150 Series

Based on the information published by American Dynamics, Pelco has reason to believe the TXB-AD will also work with the following models:

- AD1650 Series
- AD2050 Series
- AD2350 Series

Esprit Integrated Positioning System Installation

The following items are supplied:

- 1 TXB-AD translator board (printed circuit board)
- 1 4-40 screw with lock washer (for Spectra II® Series only)
- 1 6-32 screw with lock washer (for Spectra III™ Series only)

TXB-AD TRANSLATOR BOARD INSTALLATION AND SETTINGS

1. Turn off the power to the Esprit system. Refer to Figure 1 and do the following:
 - a. Remove the left cover on the pan and tilt.
 - b. Remove the shorting plug from the 16-pin connector located on the Esprit system's circuit board.
 - c. Remove the nut and washer from the standoff on the Esprit system's circuit board.

NOTE: Do not discard the 16-pin shorting plug. Save the plug in case the system ever is converted back to a Pelco-controlled unit.

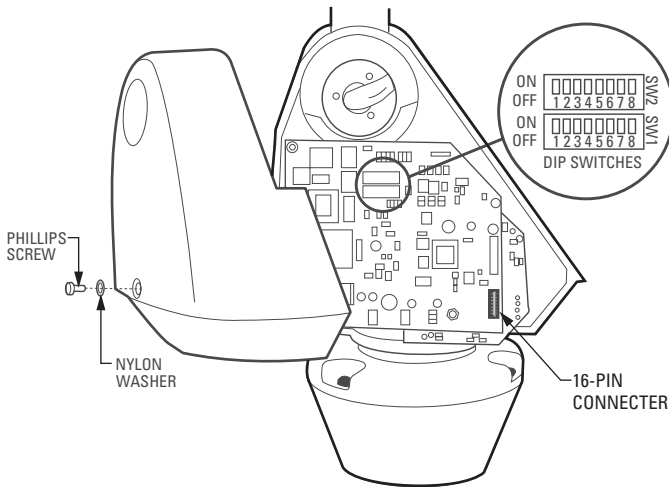


Figure 1. Esprit System Pan and Tilt

- Set the J1 jumper on the TXB-AD to the proper termination setting. The TXB-AD is shipped from the factory with the J1 jumper in the terminated position. To unterminate the unit remove the cover from the J1 jumper and then place the cover over one pin for storage. Refer to Figure 2 and Figure 3.

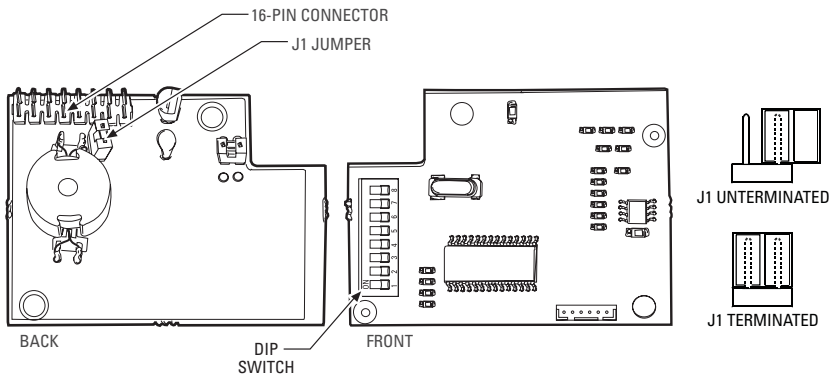


Figure 2. TXB-AD Translator Board Layout, Front and Back

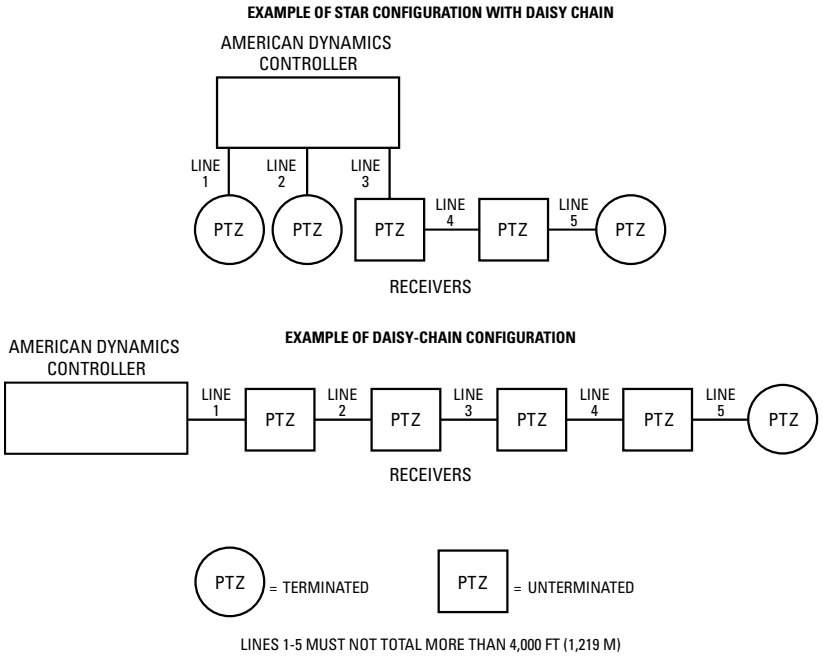


Figure 3. Receiver Location

- Set DIP switches on the TXB-AD. Refer to Figure 2 and Table A.

4. Install the TXB-AD translator by inserting the 16-pin connector located on the back of the TXB-AD board into the mating connector on the Esprit system's board. Refer to Figure 1 and Figure 2.
5. Reinstall the nut and washer on the standoff to secure the translator board.

ESPRIT SYSTEM SETTINGS AND CONNECTIONS

1. Verify that all SW1 switches on the Esprit system are set to the OFF position.
For American Dynamics controllers with only 32 presets: Set SW1-5 to the ON position. Refer to Figure 1 for switch location.
2. Set the address for the Esprit positioning system. Refer to Table B and Table C in the *Appendix* for American Dynamics Camera Assignments and DIP switch settings. Refer to Figure 1 for DIP switch location.
3. Reinstall the left cover on the pan and tilt. The cover must be properly seated and have a tight seal all the way around when installed (refer to Figure 4). To reinstall the cover, do the following:
 - a. Properly position the cover and slide it into place. The sides of the cover must fit under the front and back rain guards of the pan and tilt, and the top of the cover must seat against the lip of the top gasket.
 - b. Apply pressure and push the top of the cover down to align the screw holes (refer to Figure 5).
 - c. Insert the Phillips screw and washer. Tighten until the screw will not turn.

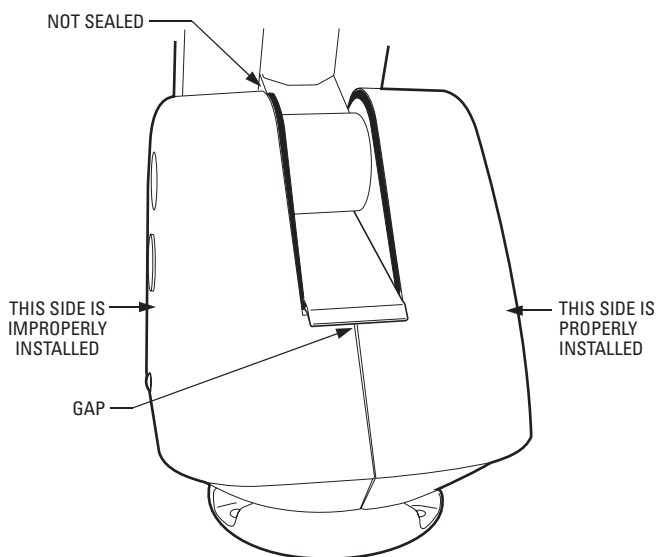


Figure 4. Proper Installation of Cover

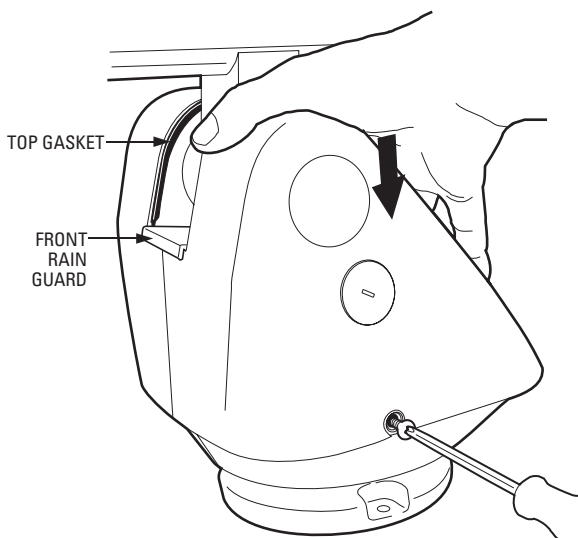


Figure 5. How to Install Cover

4. Remove the pan and tilt from the base of the Esprit System. Check the control wiring inside the base of the unit.

From AD Controller	To 4-Wire Cable
B	RX+ (Green wire)
W	RX- (Red wire)

NOTE: To wire the connector for the controller, refer to the manual supplied with the American Dynamics controller.

5. Reinstall the pan and tilt onto the base of the unit. Apply power to the system. The following message is displayed on the monitor once the configuration cycle of the Esprit is completed:

TXB-AD Rev x.xx

NOTE: x.xx represents the current firmware revision.

Spectra Dome Installation

The following items are supplied:

- 1 TXB-AD translator board (printed circuit board)
- 1 4-40 screw with lock washer (for Spectra II Series only)
- 1 6-32 screw with lock washer (for Spectra III Series only)

TXB-AD TRANSLATOR BOARD INSTALLATION AND SETTINGS

1. Turn off the power to the dome system. Remove the lower dome. Remove the dome drive by pressing in the blue and red tabs on the sides of the dome drive. Gently rock the dome drive to release it from the back box.
2. Set the J1 jumper on the TXB-AD to the proper termination setting. The TXB-AD is shipped from the factory with the J1 jumper in the terminated position. To unterminate the unit remove the cover from the J1 jumper and then place the cover over one pin for storage. Refer to Figure 6 and Figure 7.

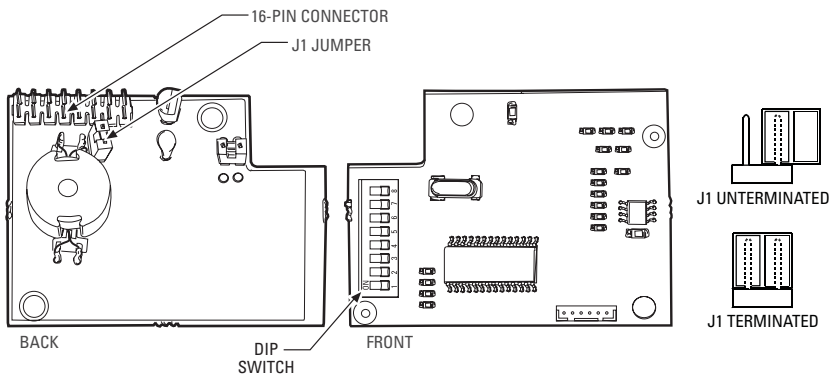
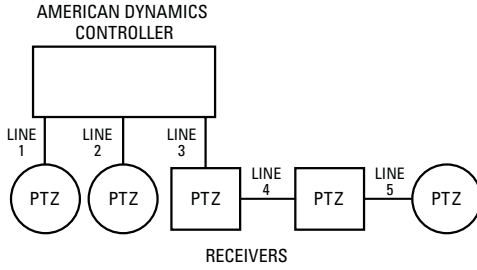
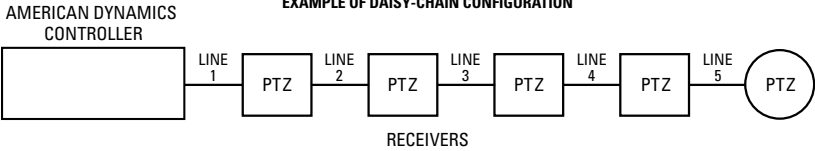


Figure 6. TXB-AD Translator Board Layout, Front and Back

EXAMPLE OF STAR CONFIGURATION WITH DAISY CHAIN



EXAMPLE OF DAISY-CHAIN CONFIGURATION



LINES 1-5 MUST NOT TOTAL MORE THAN 4,000 FT (1,219 M)

Figure 7. Receiver Location

3. Set DIP switches on the TXB-AD. Refer to Figure 6 and Table A.
4. Install the TXB-AD board. Refer to Figure 8 and Figure 9 and do the following:
 - a. Open the hinged door to the back box. Push the tab lock towards the wall of the unit and lift the door open.
 - b. Remove the shorting plug from the 16-pin connector located on the Spectra system's circuit board.

NOTE: Do not discard the 16-pin shorting plug. Save the plug in case the system is converted back to a Pelco-controlled unit.

- c. Insert the TXB-AD translator into the 16-pin connector located on the dome system's circuit board.
- d. Secure the translator board to the standoff on the interconnect circuit board using the provided 4-40 (Spectra II) or 6-32 (Spectra III) screw and lock washer.

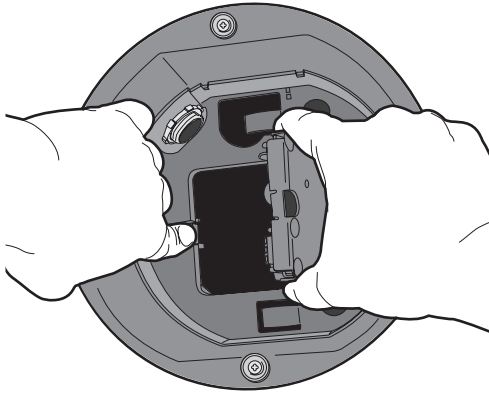


Figure 8. Spectra Dome System, Interconnect Door

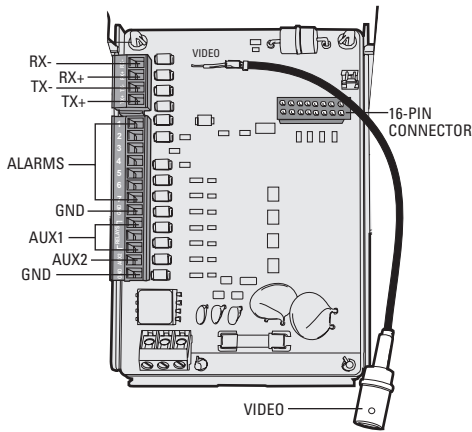


Figure 9. Spectra Dome System, Circuit Board

SPECTRA SYSTEM SETTINGS AND CONNECTIONS

1. Check the wiring to the controller.

From AD Controller	To 4-Wire Terminal Block
B	RX+ (Green wire)
W	RX- (Red wire)

NOTE: To wire the connector for the controller, refer to the manual supplied with the American Dynamics controller.

2. Close the interconnect door.
3. Verify that all SW1 (Spectra II) or SW3 (Spectra III) switches on the dome drive are set to the OFF position.

For American Dynamics controllers with only 32 presets: Set SW1-2 (Spectra II) or SW3-1 (Spectra III) to the ON position. Refer to Figure 6 for switch location.

4. Set the address for the Spectra system. Refer to Table B, Table C (Spectra II), or Table D (Spectra III) in the *Appendix* for American Dynamics Camera Assignments and DIP switch settings.
5. Install the dome drive. Line up the blue (A) and red (B) tabs with the blue (A) and red (B) labels. When pushing the tabs in, insert one side, then the other. Continue pushing on the ends of the tabs until both click into place. Refer to Figure 11.

NOTE: Refer to the installation manual supplied with the Spectra installing the back box, dome drive, and lower dome.

6. Apply power to the system. The following message is displayed on the monitor once the configuration cycle of the Spectra is completed:

TXB-AD Rev x.xx

NOTE: x.xx represents the current firmware revision.

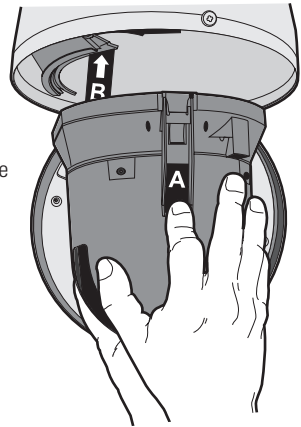


Figure 10. Dome Drive Installation

ExSite Explosionproof System Installation

The following items are supplied:

- 1 TXB-AD translator board
- 1 4-40 screw with lock washer (for Spectra II Series only)
- 1 6-32 screw with lock washer (for Spectra III Series only)

TXB-AD TRANSLATOR BOARD INSTALLATION AND SETTINGS

⚠ WARNING: To reduce the risk of ignition of hazardous atmospheres, disconnect the equipment from the supply circuit before opening.

1. Turn off the power to the ExSite system.

⚠ CAUTION: Total weight of the pan and tilt component is 55 pounds (25 kg). Use caution when lifting and assembling the pan and tilt component on the power module. It is recommended that non-slip gloves be worn during installation or removal.

2. Remove the pan and tilt unit from the power module. Refer to Figure 11 and Figure 12 and do the following:
 - a. Loosen the setscrew in the locking ring with a 2 mm Allen wrench.
 - b. Loosen the locking ring with a spanner wrench (Pelco part #MF00-1251-121A).
 - c. Carefully unscrew the locking ring, and remove the pan and tilt unit from the power module.

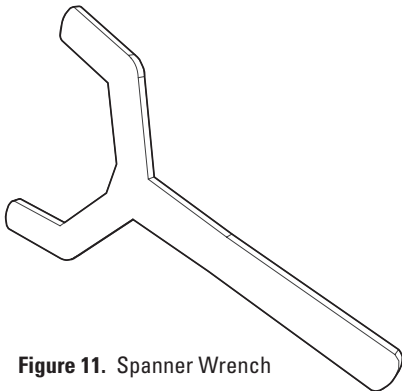


Figure 11. Spanner Wrench

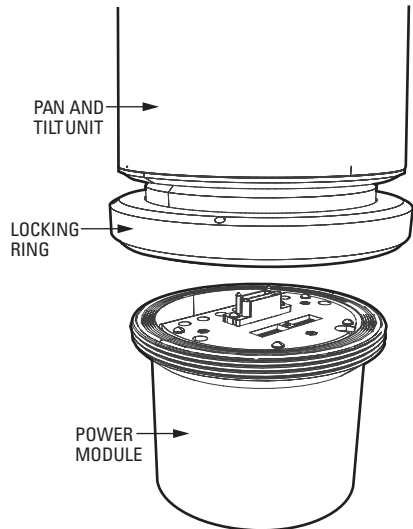


Figure 12. Removal of Pan and Tilt Unit

- Set the J1 jumper on the TXB-AD to the proper termination setting. The TXB-AD is shipped from the factory with the J1 jumper in the terminated position. To unterminate the unit, remove the cover from the J1 jumper and then place the cover over one pin for storage. Refer to Figure 13 and Figure 14.

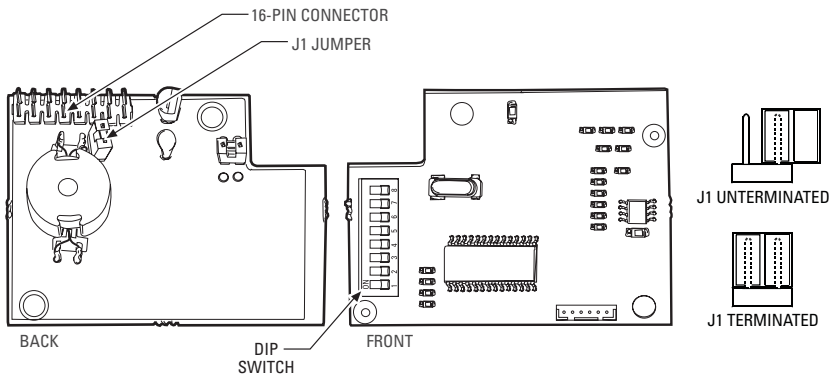


Figure 13. TXB-AD Translator Board Layout, Front and Back

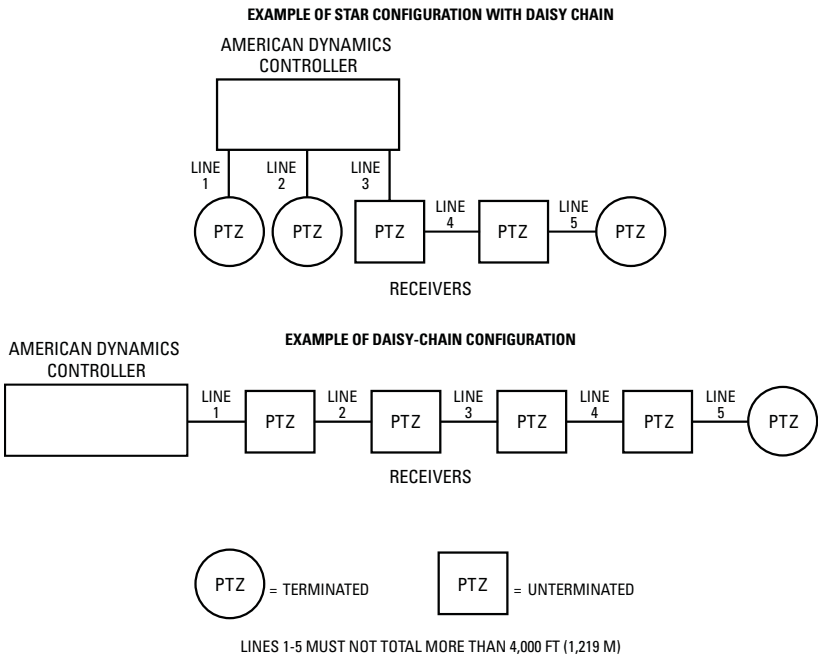


Figure 14. Receiver Location

4. Install the TXB-AD board on the power module. Refer to Figure 15 and do the following:
 - a. Remove the shorting plug from the 16-pin connector on the ExSite system's circuit board.

NOTE: Do not discard the 16-pin shorting plug. Save the plug in case the system ever is converted back to a coax video system or a Pelco-controlled unit.

- b. Insert the TXB-AD board into the 16-pin connector on the ExSite system's circuit board. Confirm that the TXB-AD board is fully seated into the 16-pin connector.

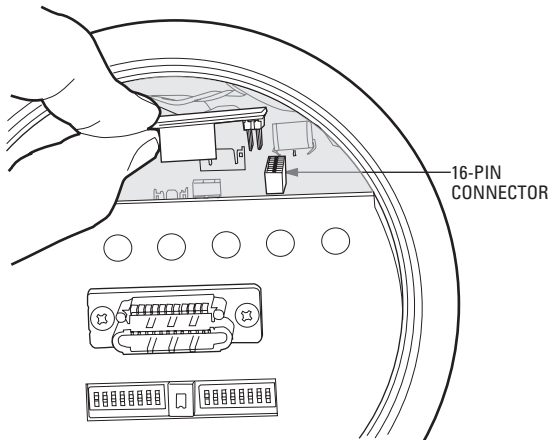


Figure 15. TXB-AD Board Installation

EXSITE EXPLOSIONPROOF SYSTEM SETTINGS

1. Check wiring to controller.

From AD Controller	To Wire Harness
B	RX+ (Red)
W	RX- (Green)

2. Verify that all SW3 switches on the ExSite system are set to the OFF position.

For American Dynamics controllers with only 32 presets: Set SW3-1 to the ON position. Refer to Figure 13 for switch location.

3. Set the address for the ExSite system. Refer to Table B and Table D in the *Appendix* for switch settings.
4. Attach the pan and tilt unit to the power module. Refer to Figure 11 and Figure 12 and to the following:
 - a. Align the pan and tilt unit with the power module. Carefully begin to hand-tighten the locking ring onto the threads of the power module.
 - b. Continue to tighten the locking ring with a spanner wrench.
 - c. Tighten the setscrew in the locking ring with a 2 mm Allen wrench.

NOTE: Refer to the installation manual supplied with the ExSite system for instructions on attaching the pan and tilt unit to the power module.

5. Apply power to the system. The following message is displayed on the monitor once the configuration cycle is completed:

TXB-AD Rev x.xx

NOTE: x.xx represents the current firmware version.

Operation

Activate preset 70 to access the camera menus. See below for information on how the translator performs. This shows how the AD keyboard relates to the Pelco translator.

AD Keyboard Function	Unit Action	Pelco Function	Spectra III/ExSite Special Function
Pan, tilt, zoom, focus, and iris functions	Moves unit accordingly	Pan, tilt, zoom, focus, and iris functions	
Presets			
1–32 set shot	Saves camera position as preset 1–32	Sets preset 1–32	
1–32 call shot	Moves camera to preset position 1–32	Moves camera to preset position 1–32	
Auxiliaries			
1–3 auxiliaries on	Activates auxiliaries 1–3	Sets auxiliaries 1–3	
54 call shot	Activates auxiliary 4	Sets auxiliary 4	
55 call shot	Activates auxiliary 5	Sets auxiliary 5	
56 call shot	Activates auxiliary 6	Sets auxiliary 6	
57 call shot	Activates auxiliary 7	Sets auxiliary 7	
58 call shot	Activates auxiliary 8	Sets auxiliary 8	
1–3 auxiliaries off	Clears auxiliaries 1–3	Clears auxiliaries 1–3	
64 call shot	Clears auxiliary 4	Clears auxiliary 4	
65 call shot	Clears auxiliary 5	Clears auxiliary 5	
66 call shot	Clears auxiliary 6	Clears auxiliary 6	
67 call shot	Clears auxiliary 7	Clears auxiliary 7	
68 call shot	Clears auxiliary 8	Clears auxiliary 8	
Special Functions			
33 call shot	Runs defined pattern full-length	Runs pattern	Runs pattern 1
34 call shot	Runs defined pattern 1st half-length	Runs pattern 1st half-length	Runs pattern 2
35 call shot	Runs defined pattern 2nd half-length	Runs pattern 2nd half-length	Runs pattern 3
36 call shot	Begins auto scan	Begins auto scan	
37 call shot	Begins frame scan	Begins frame scan	
38 call shot	Begins random scan	Begins random scan	
39 call shot	Stops any scan in progress	Stops scan	
40 call shot	Pans camera 180° from current position	Flips 180°	
41 call shot	Sets zoom speed 0	Lens zoom speed 0	
42 call shot	Sets zoom speed 1	Lens zoom speed 1	
43 call shot	Sets zoom speed 2	Lens zoom speed 2	
44 call shot	Sets zoom speed 3	Lens zoom speed 3	
45 call shot	Sets focus speed 0	Lens focus speed 0	
46 call shot	Sets focus speed 1	Lens focus speed 1	
47 call shot	Sets focus speed 2	Lens focus speed 2	

AD Keyboard Function	Unit Action	Pelco Function	Spectra III/ExSite Special Function
48 call shot	Sets focus speed 3	Lens focus speed 3	
49 call shot	Moves unit to home position	Home position	
50 call shot	Turns turbo mode OFF	N/A	
51 call shot	Turns turbo mode ON*	N/A	
52 call shot	N/A	N/A	
53 call shot	N/A	N/A	
54 call shot	Activates auxiliary 4	Sets auxiliary 4	
55 call shot	Activates auxiliary 5	Sets auxiliary 5	
56 call shot	Activates auxiliary 6	Sets auxiliary 6	
57 call shot	Activates auxiliary 7	Sets auxiliary 7	
58 call shot	Activates auxiliary 8	Sets auxiliary 8	
59 call shot	N/A	N/A	
60 call shot	N/A	N/A	
61 call shot	N/A	N/A	
62 call shot	N/A	N/A	
63 call shot	N/A	N/A	
64 call shot	Clears auxiliary 4	Clears auxiliary 4	
65 call shot	Clears auxiliary 5	Clears auxiliary 5	
66 call shot	Clears auxiliary 6	Clears auxiliary 6	
67 call shot	Clears auxiliary 7	Clears auxiliary 7	
68 call shot	Clears auxiliary 8	Clears auxiliary 8	
69 call shot	N/A	N/A	
70 call shot	N/A	N/A	
71 call shot	N/A	N/A	
72 call shot, followed by 72 set shot	Resets unit	Reconfigures unit	
33 set shot	Sets stop point of full-length pattern	Pattern stop point	Stop point for pattern 1
34 set shot	Sets stop point of 1st half-length pattern		Stop point for pattern 2
35 set shot	Sets stop point of 2nd half-length pattern		Stop point for pattern 3
36 set shot	Manual left stop limit	Limit stop	
37 set shot	Manual right stop limit		
38 set shot	Scan left stop limit		
39 set shot	Scan right stop limit		
40 set shot	N/A	N/A	
41 set shot	Clears messages/titles	Clears screen	
42 set shot	N/A	N/A	
43 set shot	Sets start point of full-length pattern	Pattern start point	Start point for pattern 1
44 set shot	Sets start point of 1st half-length pattern		Start point for pattern 2

AD Keyboard Function	Unit Action	Pelco Function	Spectra III/ExSite Special Function
45 set shot	Sets start point of 2nd half-length pattern		Start point for pattern 3
46 set shot	N/A	N/A	
47 set shot	N/A	N/A	
48 set shot	N/A	N/A	
49 set shot	Sets zero pan	Sets zero pan	
50 set shot	Displays zone labels	Displays zone labels	Enable zone labels**
51 set shot	Zone 1 stop point		
52 set shot	Zone 2 stop point		
53 set shot	Zone 3 stop point		
54 set shot	Zone 4 stop point		
55 set shot	Zone 5 stop point		
56 set shot	Zone 6 stop point		
57 set shot	Zone 7 stop point		
58 set shot	Zone 8 stop point		
59 set shot	N/A		
60 set shot	Do not display zone labels	Do not display zone labels	Disable zone labels
61 set shot	Zone 1 start		
62 set shot	Zone 2 start		
63 set shot	Zone 3 start		
64 set shot	Zone 4 start		
65 set shot	Zone 5 start		
66 set shot	Zone 6 start		
67 set shot	Zone 7 start		
68 set shot	Zone 8 start		
69 set shot	N/A	N/A	
70 set shot	Displays camera menu	Menu mode	
71 set shot	N/A	N/A	
72 call shot followed by 72 set shot	Resets unit	Reconfigures unit	

* When turbo mode is turned ON, the last speed (full right or left on the joystick) activates turbo action.

** Must be enabled in Spectra menu.

Troubleshooting

Symptom	Ensure	Check/Perform
Unit does not respond properly to controller.	<p>Make sure your controller is trying to communicate with the unit and not another camera.</p> <p>Make sure your switches are set to the proper settings.</p>	<ul style="list-style-type: none"> – Are the pins on the translator board inserted properly into the mother board? (If not, damage to the translator may occur.) – Is it set to the right address? – Is the control set for the right camera? – Are the RX+ and RX- lines properly connected? – Send a camera reset and retry. – Check the settings of SW1 and SW2.
Unit does not respond to commands.	<p>If the message “TXB-AD Rev.xxx” appears, the board is functioning normally. Make sure the address is correct, baud rate is correct, and that the TX+/- lines are properly installed.</p>	<p>Check the address and baud rate. Confirm that the receiving and transmitting lines are properly connected and the head end is transmitting. Cycle power to the dome.</p>
No video.		<p>Are the pins on the translator board inserted properly into the mother board? (If not, damage to the translator may occur.)</p>

Appendix

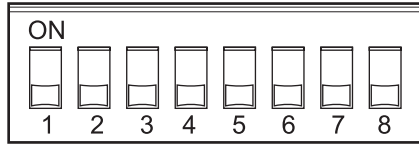


Table A. TXB-AD DIP Switch Settings

Switch	Position	Result
1	OFF	Spectra III/ExSite setting
	ON	Spectra II/Esprit setting
2	OFF	Speeds will match AD Ultra Dome
	ON	Speeds will match older (before revision 2.00) TXB-AD versions
3	OFF	Turbo mode enabled on power-up
	ON	Turbo mode disabled on power-up
4	OFF	Normal TXB-AD operation
	ON	Debug mode (for internal debugging use only; leave in OFF position)
5-8	not used	

Table B. American Dynamics Camera Assignments

Group 1	Group 2	Group 3	Group 4	Group 5	Group 6	Group 7	Group 8	Address
1	65	129	193	257	321	385	449	1
2	66	130	194	258	322	386	450	2
3	67	131	195	259	323	387	451	3
4	68	132	196	260	324	388	452	4
5	69	133	197	261	325	389	453	5
6	70	134	198	262	326	390	454	6
7	71	135	199	263	327	391	455	7
8	72	136	200	264	328	392	456	8
9	73	137	201	265	329	393	457	9
10	74	138	202	266	330	394	458	10
11	75	139	203	267	331	395	459	11
12	76	140	204	268	332	396	460	12
13	77	141	205	269	333	397	461	13
14	78	142	206	270	334	398	462	14
15	79	143	207	271	335	399	463	15
16	80	144	208	272	336	400	464	16
17	81	145	209	273	337	401	465	17
18	82	146	210	274	338	402	466	18
19	83	147	211	275	339	403	467	19
20	84	148	212	276	340	404	468	20
21	85	149	213	277	341	405	469	21
22	86	150	214	278	342	406	470	22
23	87	151	215	279	343	407	471	23
24	88	152	216	280	344	408	472	24
25	89	153	217	281	345	409	473	25
26	90	154	218	282	346	410	474	26
27	91	155	219	283	347	411	475	27
28	92	156	220	284	348	412	476	28
29	93	157	221	285	349	413	477	29
30	94	158	222	286	350	414	478	30
31	95	159	223	287	351	415	479	31
32	96	160	224	288	352	416	480	32
33	97	161	225	289	353	417	481	33
34	98	162	226	290	354	418	482	34
35	99	163	227	291	355	419	483	35
36	100	164	228	292	356	420	484	36
37	101	165	229	293	357	421	485	37
38	102	166	230	294	358	422	486	38
39	103	167	231	295	359	423	487	39
40	104	168	232	296	360	424	488	40
41	105	169	233	297	361	425	489	41

Table B. American Dynamics Camera Assignments (Continued)

Group 1	Group 2	Group 3	Group 4	Group 5	Group 6	Group 7	Group 8	Address
42	106	170	234	298	362	426	490	42
43	107	171	235	299	363	427	491	43
44	108	172	236	300	364	428	492	44
45	109	173	237	301	365	429	493	45
46	110	174	238	302	366	430	494	46
47	111	175	239	303	367	431	495	47
48	112	176	240	304	368	432	496	48
49	113	177	241	305	369	433	497	49
50	114	178	242	306	370	434	498	50
51	115	179	243	307	371	435	499	51
52	116	180	244	308	372	436	500	52
53	117	181	245	309	373	437	501	53
54	118	182	246	310	374	438	502	54
55	119	183	247	311	375	439	503	55
56	120	184	248	312	376	440	504	56
57	121	185	249	313	377	441	505	57
58	122	186	250	314	378	442	506	58
59	123	187	251	315	379	443	507	59
60	124	188	252	316	380	444	508	60
61	125	189	253	317	381	445	509	61
62	126	190	254	318	382	446	510	62
63	127	191	255	319	383	447	511	63
64	128	192	256	320	384	448	512	64

Table B. American Dynamics Camera Assignments (Continued)

Group 9	Group 10	Group 11	Group 12	Group 13	Group 14	Group 15	Group 16	Address
513	577	641	705	769	833	897	961	1
514	578	642	706	770	834	898	962	2
515	579	643	707	771	835	899	963	3
516	580	644	708	772	836	900	964	4
517	581	645	709	773	837	901	965	5
518	582	646	710	774	838	902	966	6
519	583	647	711	775	839	903	967	7
520	584	648	712	776	840	904	968	8
521	585	649	713	777	841	905	969	9
522	586	650	714	778	842	906	970	10
523	587	651	715	779	843	907	971	11
524	588	652	716	780	844	908	972	12
525	589	653	717	781	845	909	973	13
526	590	654	718	782	846	910	974	14
527	591	655	719	783	847	911	975	15
528	592	656	720	784	848	912	976	16
529	593	657	721	785	849	913	977	17
530	594	658	722	786	850	914	978	18
531	595	659	723	787	851	915	979	19
532	596	660	724	788	852	916	980	20
533	597	661	725	789	853	917	981	21
534	598	662	726	790	854	918	982	22
535	599	663	727	791	855	919	983	23
536	600	664	728	792	856	920	984	24
537	601	665	729	793	857	921	985	25
538	602	666	730	794	858	922	986	26
539	603	667	731	795	859	923	987	27
540	604	668	732	796	860	924	988	28
541	605	669	733	797	861	925	989	29
542	606	670	734	798	862	926	990	30
543	607	671	735	799	863	927	991	31
544	608	672	736	800	864	928	992	32
545	609	673	737	801	865	929	993	33
546	610	674	738	802	866	930	994	34
547	611	675	739	803	867	931	995	35
548	612	676	740	804	868	932	996	36
549	613	677	741	805	869	933	997	37
550	614	678	742	806	870	934	998	38
551	615	679	743	807	871	935	999	39
552	616	680	744	808	872	936	1000	40
553	617	681	745	809	873	937	1001	41

Table B. American Dynamics Camera Assignments (Continued)

Group 9	Group 10	Group 11	Group 12	Group 13	Group 14	Group 15	Group 16	Address
554	618	682	746	810	874	938	1002	42
555	619	683	747	811	875	939	1003	43
556	620	684	748	812	876	940	1004	44
557	621	685	749	813	877	941	1005	45
558	622	686	750	814	878	942	1006	46
559	623	687	751	815	879	943	1007	47
560	624	688	752	816	880	944	1008	48
561	625	689	753	817	881	945	1009	49
562	626	690	754	818	882	946	1010	50
563	627	691	755	819	883	947	1011	51
564	628	692	756	820	884	948	1012	52
565	629	693	757	821	885	949	1013	53
566	630	694	758	822	886	950	1014	54
567	631	695	759	823	887	951	1015	55
568	632	696	760	824	888	952	1016	56
569	633	697	761	825	889	953	1017	57
570	634	698	762	826	890	954	1018	58
571	635	699	763	827	891	955	1019	59
572	636	700	764	828	892	956	1020	60
573	637	701	765	829	893	957	1021	61
574	638	702	766	830	894	958	1022	62
575	639	703	767	831	895	959	1023	63
576	640	704	768	832	896	960	1024	64

The chart in Table B shows how to address ExSite/Esprit positioning systems and Spectra domes when using an AD controller. Each of the 16 AD groups has its own communication line that controls 64 devices; hence, each group on the chart contains 64 dome addresses. To use the chart:

1. Find the desired camera number. For example, camera 944 is located in group 15.
2. Go to the address column on the far right (in this case, 48).
3. Find the receiver address in column 1 of Table C (Esprit/Spectra II) or Table D (ExSite/Spectra III) (again, 48). To the right of this are the proper DIP switch settings for the Esprit and Spectra systems.

Table C. Switch Settings for SW2

Receiver Address	Switch Setting							
	SW2-1	SW2-2	SW2-3	SW2-4	SW2-5	SW2-6	SW2-7	SW2-8
1	ON	OFF	OFF	OFF	OFF	OFF	OFF	OFF
2	OFF	ON	OFF	OFF	OFF	OFF	OFF	OFF
3	ON	ON	OFF	OFF	OFF	OFF	OFF	OFF
4	OFF	OFF	ON	OFF	OFF	OFF	OFF	OFF
5	ON	OFF	ON	OFF	OFF	OFF	OFF	OFF
6	OFF	ON	ON	OFF	OFF	OFF	OFF	OFF
7	ON	ON	ON	OFF	OFF	OFF	OFF	OFF
8	OFF	OFF	OFF	ON	OFF	OFF	OFF	OFF
9	ON	OFF	OFF	ON	OFF	OFF	OFF	OFF
10	OFF	ON	OFF	ON	OFF	OFF	OFF	OFF
11	ON	ON	OFF	ON	OFF	OFF	OFF	OFF
12	OFF	OFF	ON	ON	OFF	OFF	OFF	OFF
13	ON	OFF	ON	ON	OFF	OFF	OFF	OFF
14	OFF	ON	ON	ON	OFF	OFF	OFF	OFF
15	ON	ON	ON	ON	OFF	OFF	OFF	OFF
16	OFF	OFF	OFF	OFF	ON	OFF	OFF	OFF
17	ON	OFF	OFF	OFF	ON	OFF	OFF	OFF
18	OFF	ON	OFF	OFF	ON	OFF	OFF	OFF
19	ON	ON	OFF	OFF	ON	OFF	OFF	OFF
20	OFF	OFF	ON	OFF	ON	OFF	OFF	OFF
21	ON	OFF	ON	OFF	ON	OFF	OFF	OFF
22	OFF	ON	ON	OFF	ON	OFF	OFF	OFF
23	ON	ON	ON	OFF	ON	OFF	OFF	OFF
24	OFF	OFF	OFF	ON	ON	OFF	OFF	OFF
25	ON	OFF	OFF	ON	ON	OFF	OFF	OFF
26	OFF	ON	OFF	ON	ON	OFF	OFF	OFF
27	ON	ON	OFF	ON	ON	OFF	OFF	OFF
28	OFF	OFF	ON	ON	ON	OFF	OFF	OFF
29	ON	OFF	ON	ON	ON	OFF	OFF	OFF
30	OFF	ON	ON	ON	ON	OFF	OFF	OFF
31	ON	ON	ON	ON	ON	OFF	OFF	OFF
32	OFF	OFF	OFF	OFF	OFF	ON	OFF	OFF
33	ON	OFF	OFF	OFF	OFF	ON	OFF	OFF
34	OFF	ON	OFF	OFF	OFF	ON	OFF	OFF
35	ON	ON	OFF	OFF	OFF	ON	OFF	OFF
36	OFF	OFF	ON	OFF	OFF	ON	OFF	OFF
37	ON	OFF	ON	OFF	OFF	ON	OFF	OFF
38	OFF	ON	ON	OFF	OFF	ON	OFF	OFF
39	ON	ON	ON	OFF	OFF	ON	OFF	OFF
40	OFF	OFF	OFF	ON	OFF	ON	OFF	OFF

Table C. Switch Settings for SW2 (Continued)

Receiver Address	Switch Setting							
	SW2-1	SW2-2	SW2-3	SW2-4	SW2-5	SW2-6	SW2-7	SW2-8
41	ON	OFF	OFF	ON	OFF	ON	OFF	OFF
42	OFF	ON	OFF	ON	OFF	ON	OFF	OFF
43	ON	ON	OFF	ON	OFF	ON	OFF	OFF
44	OFF	OFF	ON	ON	OFF	ON	OFF	OFF
45	ON	OFF	ON	ON	OFF	ON	OFF	OFF
46	OFF	ON	ON	ON	OFF	ON	OFF	OFF
47	ON	ON	ON	ON	OFF	ON	OFF	OFF
48	OFF	OFF	OFF	OFF	ON	ON	OFF	OFF
49	ON	OFF	OFF	OFF	ON	ON	OFF	OFF
50	OFF	ON	OFF	OFF	ON	ON	OFF	OFF
51	ON	ON	OFF	OFF	ON	ON	OFF	OFF
52	OFF	OFF	ON	OFF	ON	ON	OFF	OFF
53	ON	OFF	ON	OFF	ON	ON	OFF	OFF
54	OFF	ON	ON	OFF	ON	ON	OFF	OFF
55	ON	ON	ON	OFF	ON	ON	OFF	OFF
56	OFF	OFF	OFF	ON	ON	ON	OFF	OFF
57	ON	OFF	OFF	ON	ON	ON	OFF	OFF
58	OFF	ON	OFF	ON	ON	ON	OFF	OFF
59	ON	ON	OFF	ON	ON	ON	OFF	OFF
60	OFF	OFF	ON	ON	ON	ON	OFF	OFF
61	ON	OFF	ON	ON	ON	ON	OFF	OFF
62	OFF	ON	ON	ON	ON	ON	OFF	OFF
63	ON	ON	ON	ON	ON	ON	OFF	OFF
64	OFF	OFF	OFF	OFF	OFF	OFF	ON	OFF

Table D. Switch Settings for SW1

Receiver Address	Switch Setting							
	SW1-1	SW1-2	SW1-3	SW1-4	SW1-5	SW1-6	SW1-7	SW1-8
1	ON	OFF	OFF	OFF	OFF	OFF	OFF	OFF
2	OFF	ON	OFF	OFF	OFF	OFF	OFF	OFF
3	ON	ON	OFF	OFF	OFF	OFF	OFF	OFF
4	OFF	OFF	ON	OFF	OFF	OFF	OFF	OFF
5	ON	OFF	ON	OFF	OFF	OFF	OFF	OFF
6	OFF	ON	ON	OFF	OFF	OFF	OFF	OFF
7	ON	ON	ON	OFF	OFF	OFF	OFF	OFF
8	OFF	OFF	OFF	ON	OFF	OFF	OFF	OFF
9	ON	OFF	OFF	ON	OFF	OFF	OFF	OFF
10	OFF	ON	OFF	ON	OFF	OFF	OFF	OFF
11	ON	ON	OFF	ON	OFF	OFF	OFF	OFF
12	OFF	OFF	ON	ON	OFF	OFF	OFF	OFF
13	ON	OFF	ON	ON	OFF	OFF	OFF	OFF
14	OFF	ON	ON	ON	OFF	OFF	OFF	OFF
15	ON	ON	ON	ON	OFF	OFF	OFF	OFF
16	OFF	OFF	OFF	OFF	ON	OFF	OFF	OFF
17	ON	OFF	OFF	OFF	ON	OFF	OFF	OFF
18	OFF	ON	OFF	OFF	ON	OFF	OFF	OFF
19	ON	ON	OFF	OFF	ON	OFF	OFF	OFF
20	OFF	OFF	ON	OFF	ON	OFF	OFF	OFF
21	ON	OFF	ON	OFF	ON	OFF	OFF	OFF
22	OFF	ON	ON	OFF	ON	OFF	OFF	OFF
23	ON	ON	ON	OFF	ON	OFF	OFF	OFF
24	OFF	OFF	OFF	ON	ON	OFF	OFF	OFF
25	ON	OFF	OFF	ON	ON	OFF	OFF	OFF
26	OFF	ON	OFF	ON	ON	OFF	OFF	OFF
27	ON	ON	OFF	ON	ON	OFF	OFF	OFF
28	OFF	OFF	ON	ON	ON	OFF	OFF	OFF
29	ON	OFF	ON	ON	ON	OFF	OFF	OFF
30	OFF	ON	ON	ON	ON	OFF	OFF	OFF
31	ON	ON	ON	ON	ON	OFF	OFF	OFF
32	OFF	OFF	OFF	OFF	OFF	ON	OFF	OFF
33	ON	OFF	OFF	OFF	OFF	ON	OFF	OFF
34	OFF	ON	OFF	OFF	OFF	ON	OFF	OFF
35	ON	ON	OFF	OFF	OFF	ON	OFF	OFF
36	OFF	OFF	ON	OFF	OFF	ON	OFF	OFF
37	ON	OFF	ON	OFF	OFF	ON	OFF	OFF
38	OFF	ON	ON	OFF	OFF	ON	OFF	OFF
39	ON	ON	ON	OFF	OFF	ON	OFF	OFF
40	OFF	OFF	OFF	ON	OFF	ON	OFF	OFF

Table D. Switch Settings for SW1 (Continued)

Receiver Address	Switch Setting							
	SW1-1	SW1-2	SW1-3	SW1-4	SW1-5	SW1-6	SW1-7	SW1-8
41	ON	OFF	OFF	ON	OFF	ON	OFF	OFF
42	OFF	ON	OFF	ON	OFF	ON	OFF	OFF
43	ON	ON	OFF	ON	OFF	ON	OFF	OFF
44	OFF	OFF	ON	ON	OFF	ON	OFF	OFF
45	ON	OFF	ON	ON	OFF	ON	OFF	OFF
46	OFF	ON	ON	ON	OFF	ON	OFF	OFF
47	ON	ON	ON	ON	OFF	ON	OFF	OFF
48	OFF	OFF	OFF	OFF	ON	ON	OFF	OFF
49	ON	OFF	OFF	OFF	ON	ON	OFF	OFF
50	OFF	ON	OFF	OFF	ON	ON	OFF	OFF
51	ON	ON	OFF	OFF	ON	ON	OFF	OFF
52	OFF	OFF	ON	OFF	ON	ON	OFF	OFF
53	ON	OFF	ON	OFF	ON	ON	OFF	OFF
54	OFF	ON	ON	OFF	ON	ON	OFF	OFF
55	ON	ON	ON	OFF	ON	ON	OFF	OFF
56	OFF	OFF	OFF	ON	ON	ON	OFF	OFF
57	ON	OFF	OFF	ON	ON	ON	OFF	OFF
58	OFF	ON	OFF	ON	ON	ON	OFF	OFF
59	ON	ON	OFF	ON	ON	ON	OFF	OFF
60	OFF	OFF	ON	ON	ON	ON	OFF	OFF
61	ON	OFF	ON	ON	ON	ON	OFF	OFF
62	OFF	ON	ON	ON	ON	ON	OFF	OFF
63	ON	ON	ON	ON	ON	ON	OFF	OFF
64	OFF	OFF	OFF	OFF	OFF	OFF	ON	OFF

REVISION HISTORY

Manual #	Date	Comments
C1492M	8/98	Original version.
C1492M-A	9/98	Modified parts list in Section 1.0. Added caution and revised steps in Section 3.1. Added material to Section 5.0.
C1492M-B	10/98	Revised steps in Section 3.1. Revised call shots 50 and 51 in Table B.
C1492M-C	5/99	Added Philips information to Table C, Special Functions Definitions, and in other places in the manual. Added section on American Dynamics Camera Assignments. Added Esprit instructions.
C1492M-D	4/00	Added J3 notes on pages 4 and 5. Revised Figures 1, 5, and 6.
C1492M-E	1/01	Revised installation instructions. Removed references to Philips controller.
C1492M-F	2/01	Added note for American Dynamics controllers with 32 presets.
C1492M-G	12/02	Updated manual to new format. Added instructions for Spectra III SE and Spectra III.
C1492M-H	11/03	Per ECO #03-9359: revised Figures 2 and 5 because the translator board changed. Also, updated and added Spectra III column to the chart in the Operations section. Revised the Troubleshooting section. Added TXB-AD DIP switch settings table.
C1492M-I	3/05	Added installation instructions for ExSite positioning system. Also added Spectra III/ExSite switch settings table.
C1492M-I	8/05	Per ECO 05-11565: revised compatibility listings for American Dynamics systems.

Pelco, the Pelco logo, Spectra, Spectra II, Genex, Esprit, Camclosure, and Legacy are registered trademarks of Pelco. ExSite and Spectra III are trademarks of Pelco.

©Copyright 2005, Pelco. All rights reserved.

PRODUCT WARRANTY AND RETURN INFORMATION

WARRANTY

Pelco will repair or replace, without charge, any merchandise proved defective in material or workmanship **for a period of one year** after the date of shipment.

Exceptions to this warranty are as noted below:

- Five years on FT/FR8000 Series fiber optic products and the following fixed camera models: CC3701H-2, CC3701H-2X, CC3751H-2, CC3651H-2X, MC3651H-2, and CC3651H-2X.
- Three years on all other fixed camera models (including Camclosure® Integrated Camera Systems) and Genex® Series (multiplexers, server, and keyboard).
- Two years on all standard motorized or fixed focal length lenses.
- Two years on Legacy®, CM6700/CM6800/CM8500/CM9500/CM9700 Series Matrix, DF5 and DF8 Series Fixed Dome products.
- Two years on Spectra®, Esprit®, and PS20 Scanners, including when used in continuous motion applications.
- Two years on Esprit® and VVV5700 Series window wiper (excluding wiper blades).
- Eighteen months on DX Series digital video recorders and NVR300 Series network video recorders.
- One year (except video heads) on video cassette recorders (VCRs). Video heads will be covered for a period of six months.
- Six months on all pan and tilts, scanners or preset lenses used in continuous motion applications (that is, preset scan, tour and auto scan modes).

Pelco will warrant all replacement parts and repairs for 90 days from the date of Pelco shipment. All goods requiring warranty repair shall be sent freight prepaid to Pelco, Clovis, California. Repairs made necessary by reason of misuse, alteration, normal wear, or accident are not covered under this warranty.

Pelco assumes no risk and shall be subject to no liability for damages or loss resulting from the specific use or application made of the Products. Pelco's liability for any claim, whether based on breach of contract, negligence, infringement of any rights of any party or product liability, relating to the Products shall not exceed the price paid by the Dealer to Pelco for such Products. In no event will Pelco be liable for any special, incidental or consequential damages (including loss of use, loss of profit and claims of third parties) however caused, whether by the negligence of Pelco or otherwise.

The above warranty provides the Dealer with specific legal rights. The Dealer may also have additional rights, which are subject to variation from state to state.

If a warranty repair is required, the Dealer must contact Pelco at (800) 289-9100 or (559) 292-1981 to obtain a Repair Authorization number (RA), and provide the following information:

1. Model and serial number
2. Date of shipment, P.O. number, Sales Order number, or Pelco invoice number
3. Details of the defect or problem

If there is a dispute regarding the warranty of a product which does not fall under the warranty conditions stated above, please include a written explanation with the product when returned.

Method of return shipment shall be the same or equal to the method by which the item was received by Pelco.

RETURNS

In order to expedite parts returned to the factory for repair or credit, please call the factory at (800) 289-9100 or (559) 292-1981 to obtain an authorization number (CA number if returned for credit, and RA number if returned for repair).

All merchandise returned for credit may be subject to a 20% restocking and refurbishing charge.

Goods returned for repair or credit should be clearly identified with the assigned CA or RA number and freight should be prepaid. Ship to the appropriate address below.

If you are located within the continental U.S., Alaska, Hawaii or Puerto Rico, send goods to:

Service Department
Pelco
3500 Pelco Way
Clovis, CA 93612-5699

If you are located outside the continental U.S., Alaska, Hawaii or Puerto Rico and are instructed to return goods to the USA, you may do one of the following:

If the goods are to be sent by a COURIER SERVICE, send the goods to:

Pelco
3500 Pelco Way
Clovis, CA 93612-5699 USA

If the goods are to be sent by a FREIGHT FORWARDER, send the goods to:

Pelco c/o Expeditors
473 Eccles Avenue
South San Francisco, CA 94080 USA
Phone: 650-737-1700
Fax: 650-737-0933



This equipment contains electrical or electronic components that must be recycled properly to comply with Directive 2002/96/EC of the European Union regarding the disposal of waste electrical and electronic equipment (WEEE). Contact your local dealer for procedures for recycling this equipment.



Worldwide Headquarters
3500 Pelco Way
Clovis, California 93612 USA

USA & Canada
Tel: 800/289-9100
Fax: 800/289-9150
International
Tel: 1-559/292-1981
Fax: 1-559/348-1120

www.pelco.com

ISO9001

United States | Canada | United Kingdom | The Netherlands | Singapore | Spain | Scandinavia | France | Middle East

Free Manuals Download Website

<http://myh66.com>

<http://usermanuals.us>

<http://www.somanuals.com>

<http://www.4manuals.cc>

<http://www.manual-lib.com>

<http://www.404manual.com>

<http://www.luxmanual.com>

<http://aubethermostatmanual.com>

Golf course search by state

<http://golfingnear.com>

Email search by domain

<http://emailbydomain.com>

Auto manuals search

<http://auto.somanuals.com>

TV manuals search

<http://tv.somanuals.com>