

LL27LM

Mounting Bracket

Installation/Operation

C206M (6/93)

1.0 WARNINGS

Prior to installation and use of this product, the following WARNINGS should be observed.

1. Installation and servicing should only be done by Qualified Service Personnel and conform to all Local codes.
2. Use only installation methods and materials capable of supporting four times the maximum specified load.
3. Only use replacement parts recommended by Pelco.

Please thoroughly familiarize yourself with the information in this manual prior to installation and operation.

2.0 DESCRIPTION

The LL27LM mounting bracket is designed to allow you to mount an LL27 infrared illuminator to any Legacy® Series enclosure. Only one infrared illuminator can be mounted to the enclosure/pan and tilt assembly.

3.0 INSTALLATION

3.1 INSTALLING THE LL27LM BRACKET

3.1.1 EH4700L/EH5700L Series Enclosures

To install the LL27LM bracket perform the following steps. (Refer to Figure 3.)

1. Remove enclosure from pan/tilt, if necessary.
2. Loosen the two 1/4-20 bolts (item K) from the tilt table (item 3) on the bottom of the enclosure.
3. Remove cradle (item 4) and replace with LL27LM mounting bracket.

The long arm of the LL27 bracket should be positioned over the tilt gear side of the pan/tilt unit.

4. Re-attach the tilt table (item 3) using the two 1/4-20 bolts previously removed.

3.1.2 EH8106L Enclosure

Refer to Figure 4 for the following instructions.

1. Remove the two screws in the tilt table (item 1) on the EH8106L enclosure.
2. Pry the tilt table apart from the adapter plate (item 2). The two parts are held together with silicone sealant.
3. Clean the silicone from the mating surfaces of the adapter plate and tilt table.
4. Apply new silicone to the mating surfaces.
5. Insert the LL27LM mounting plate (item 3) between the adapter plate and tilt table.
6. Reinstall the two screws in the tilt table.

3.2 ATTACHING THE LL27 INFRARED ILLUMINATOR

To attach the LL27 infrared illuminator to the mounting bracket perform the following steps.

1. Feed the stainless steel mounting straps (provided with the LL27 illuminator) through the guide holes of the mounting bracket as shown in Figure 2.
2. Position the LL27 under the bracket and wrap the straps around the illuminator. Tighten the straps to securely hold the LL27 illuminator in place.
3. Make the necessary electrical connections as described in the manual (C920M) provided with the illuminator.

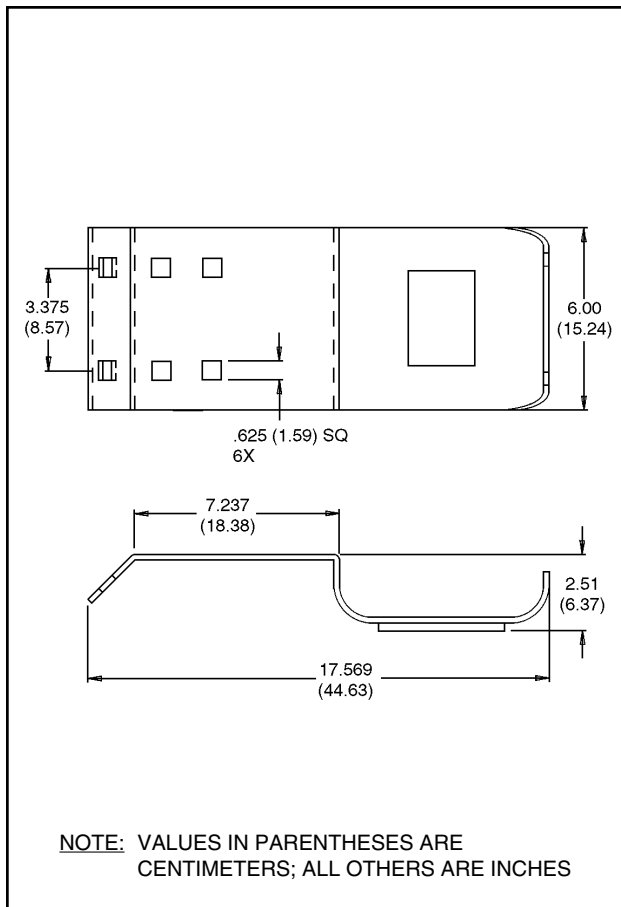


Figure 1. LL27LM Dimension Drawing

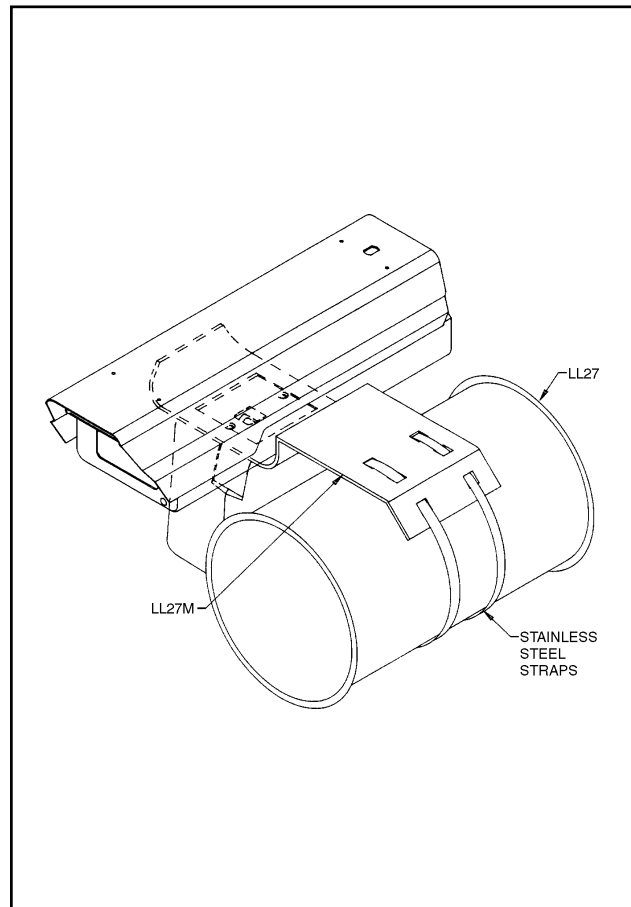


Figure 2. LL27LM Mounting Bracket Installation

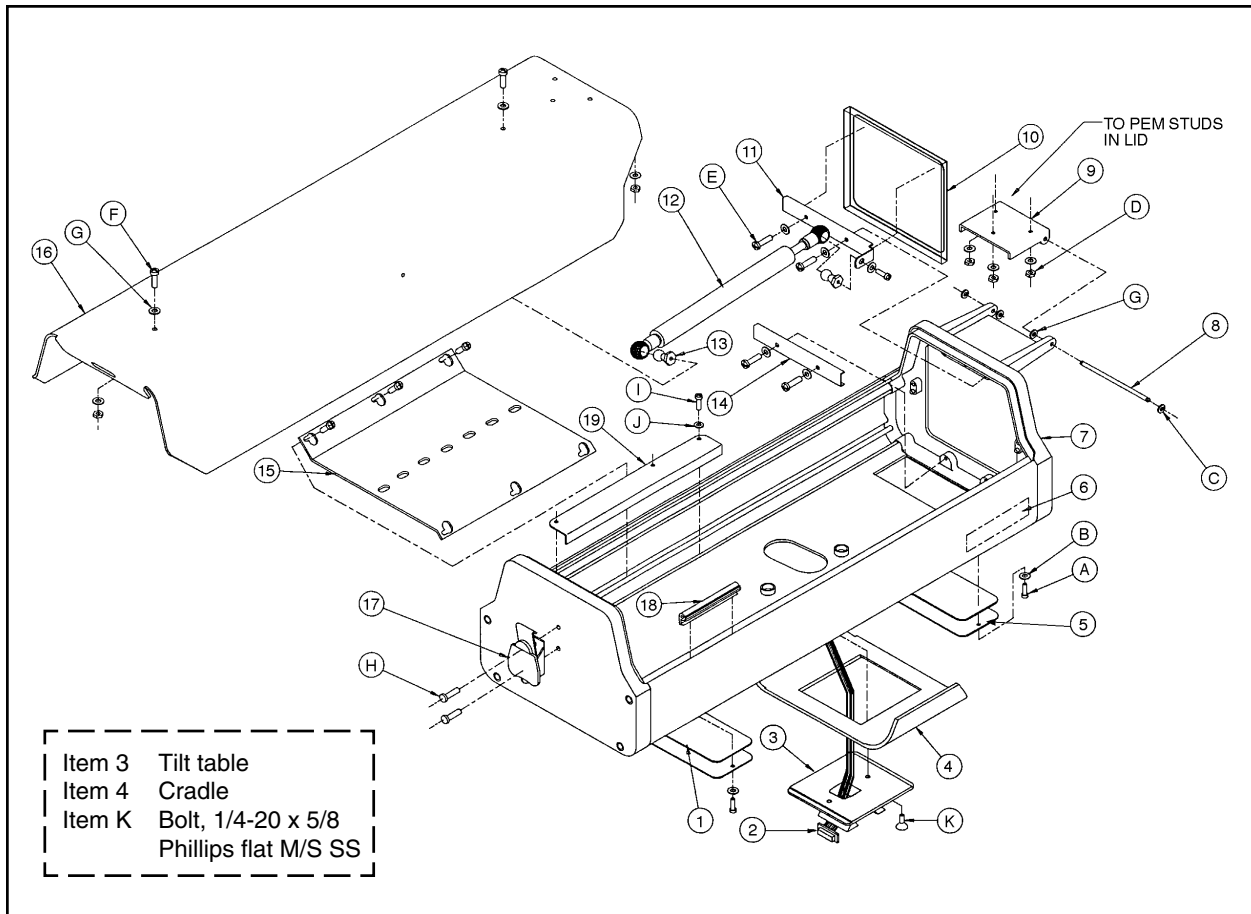


Figure 3. Legacy® Series Enclosure Exploded Assembly Diagram

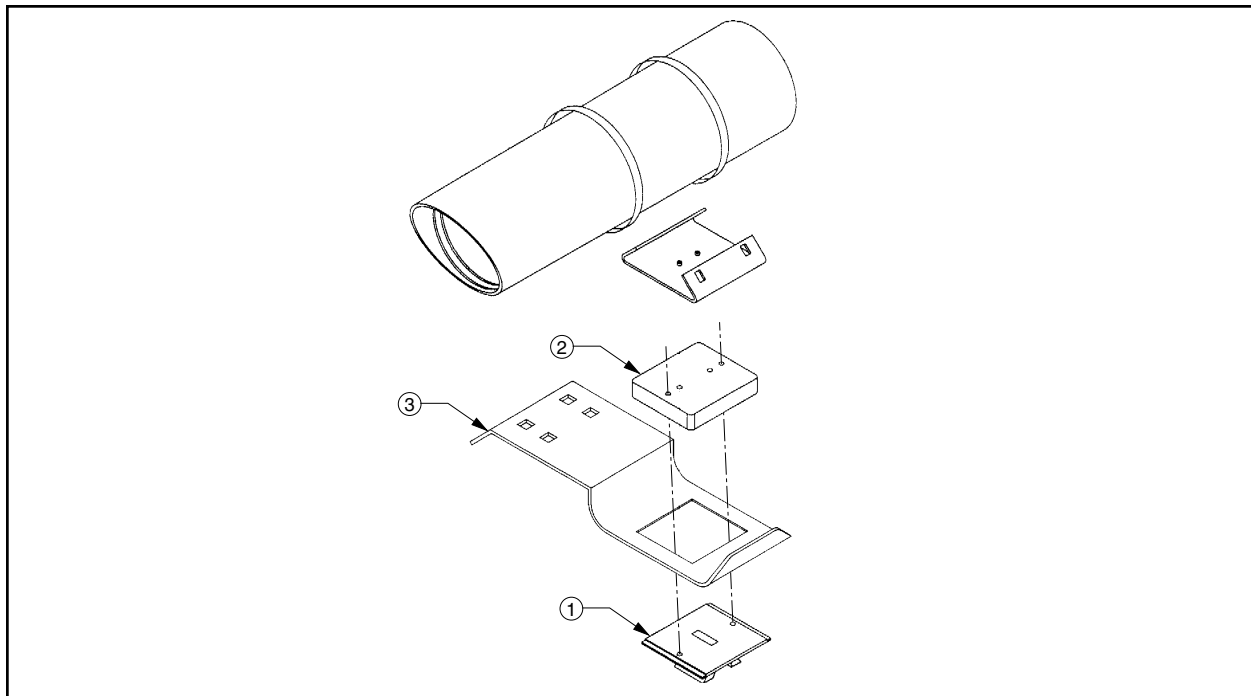


Figure 4. Mounting Bracket Installation

4.0 WARRANTY AND RETURN INFORMATION

WARRANTY

Pelco will repair or replace, without charge, any merchandise proved defective in material or workmanship for a period of one year after the date of shipment.

Exceptions to this warranty are as noted below:

- Five years on FT/FR8000 Series fiber optic products.
- Three years on Genex® Series products (multiplexers, server, and keyboard).
- Three years on Camclosure® and fixed camera models, except the CC3701H-2, CC3701H-2X, CC3751H-2, CC3651H-2X, MC3651H-2, and MC3651H-2X camera models, which have a five-year warranty.
- Two years on standard motorized or fixed focal length lenses.
- Two years on Legacy®, CM6700/CM6800/CM9700 Series matrix, and DF5/DF8 Series fixed dome products.
- Two years on Spectra®, Esprit®, ExSite™, and PS20 scanners, including when used in continuous motion applications.
- Two years on Esprit® and WW5700 Series window wiper (excluding wiper blades).
- Eighteen months on DX Series digital video recorders, NVR300 Series network video recorders, and Endura™ Series distributed network-based video products. months on DX Series digital video recorders, NVR300 Series network video recorders, Endura™ Series distributed network-based video products, and TW3000 Series twisted pair transmission products.
- One year (except video heads) on video cassette recorders (VCRs). Video heads will be covered for a period of six months.
- Six months on all pan and tilts, scanners or preset lenses used in continuous motion applications (that is, preset scan, tour and auto scan modes).

Pelco will warrant all replacement parts and repairs for 90 days from the date of Pelco shipment. All goods requiring warranty repair shall be sent freight prepaid to Pelco, Clovis, California. Repairs made necessary by reason of misuse, alteration, normal wear, or accident are not covered under this warranty.

Pelco assumes no risk and shall be subject to no liability for damages or loss resulting from the specific use or application made of the Products. Pelco's liability for any claim, whether based on breach of contract, negligence, infringement of any rights of any party or product liability, relating to the Products shall not exceed the price paid by the Dealer to Pelco for such Products. In no event will Pelco be liable for any special, incidental or consequential damages (including loss of use, loss of profit and claims of third parties) however caused, whether by the negligence of Pelco or otherwise.

The above warranty provides the Dealer with specific legal rights. The Dealer may also have additional rights, which are subject to variation from state to state.

If a warranty repair is required, the Dealer must contact Pelco at (800) 289-9100 or (559) 292-1981 to obtain a Repair Authorization number (RA), and provide the following information:

1. Model and serial number
2. Date of shipment, P.O. number, Sales Order number, or Pelco invoice number

3. Details of the defect or problem

If there is a dispute regarding the warranty of a product which does not fall under the warranty conditions stated above, please include a written explanation with the product when returned.

Method of return shipment shall be the same or equal to the method by which the item was received by Pelco.

RETURNS

In order to expedite parts returned to the factory for repair or credit, please call the factory at (800) 289-9100 or (559) 292-1981 to obtain an authorization number (CA number if returned for credit, and RA number if returned for repair). All merchandise returned for credit may be subject to a 20% restocking and refurbishing charge.

Goods returned for repair or credit should be clearly identified with the assigned CA or RA number and freight should be prepaid. Ship to the appropriate address below. If you are located within the continental U.S., Alaska, Hawaii or Puerto Rico, send goods to:

Service Department
Pelco
3500 Pelco Way
Clovis, CA 93612-5699

If you are located outside the continental U.S., Alaska, Hawaii or Puerto Rico and are instructed to return goods to the USA, you may do one of the following:

If the goods are to be sent by a COURIER SERVICE, send the goods to:

Pelco
3500 Pelco Way
Clovis, CA 93612-5699 USA

If the goods are to be sent by a FREIGHT FORWARDER, send the goods to:

Pelco c/o Expeditors
473 Eccles Avenue
South San Francisco, CA 94080 USA
Phone: 650-737-1700
Fax: 650-737-0933

(Design and product specifications subject to change without notice.)

® Pelco, the Pelco logo, Spectra, Esprit, Genex, Legacy, and Camclosure are registered trademarks of Pelco.

™ Endura and ExSite are trademarks of Pelco.

© Copyright 1993, Pelco. All rights reserved.

Free Manuals Download Website

<http://myh66.com>

<http://usermanuals.us>

<http://www.somanuals.com>

<http://www.4manuals.cc>

<http://www.manual-lib.com>

<http://www.404manual.com>

<http://www.luxmanual.com>

<http://aubethermostatmanual.com>

Golf course search by state

<http://golfingnear.com>

Email search by domain

<http://emailbydomain.com>

Auto manuals search

<http://auto.somanuals.com>

TV manuals search

<http://tv.somanuals.com>