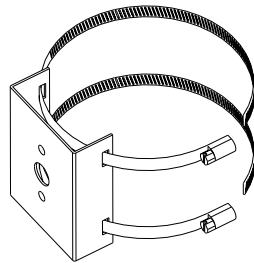


| = Vertical bar in the right margin indicates change or addition.



## **SWM-PA Series Pole Adapter for the Spectra® Compact Wall Mount**

### **Installation/Operation Manual**

**C294M (11/98)**

#### **1.0 WARNINGS**

1. Installation and servicing should only be done by qualified service personnel and conform to all local codes.
2. Installation shall be done in accordance with all local and national electrical and mechanical codes utilizing only approved materials.

**Please thoroughly familiarize yourself with the information in this manual prior to installation and operation.**

#### **2.0 DESCRIPTION**

The SWM-PA Series Pole Adapter is designed to adapt Pelco's SWM Series Spectra® Compact Wall Mount to a pole. It can be used for either indoor or outdoor applications. The adapter is supplied with two stainless steel straps and two stainless steel screws. The adapter is attached to a pole with the two straps, and a mounting cleat (supplied with the wall mount) is installed on the adapter with the two stainless steel screws. Once the mounting cleat is firmly in position on the adapter, the SWM wall mount is then attached and held in place by a set screw. The adapter and mounting cleat both have a feedthrough opening for electrical cables, not a conduit fitting.

The adapter is constructed of aluminum and has either a light gray or black polyester powder coat finish.

#### **2.1 MODELS**

SWM-PA-GY	Pole adapter for use with the SWM Series Spectra® Compact Wall Mount. Gray finish.
SWM-PA-BK	Same as SWM-GY, except black finish.

### 3.0 INSTALLATION

#### 3.1 SWM-PA SERIES POLE ADAPTER

To attach the SWM-PA Series pole adapter, perform the following steps (see Figure 1 and Table A):

1. Determine the location on the pole where the adapter is to be installed.
2. Position the adapter on the pole so the embossed orientation arrow points upward. Feed the electrical cables through the cable hole, and attach the adapter to the pole with two stainless steel straps (supplied).
3. After attaching the pole adapter to a pole, apply Duct Seal to the hole and around the electrical cable. This will prevent moisture from entering the mount and causing condensation which could damage the equipment. Duct Seal can be purchased through local electrical supply houses.

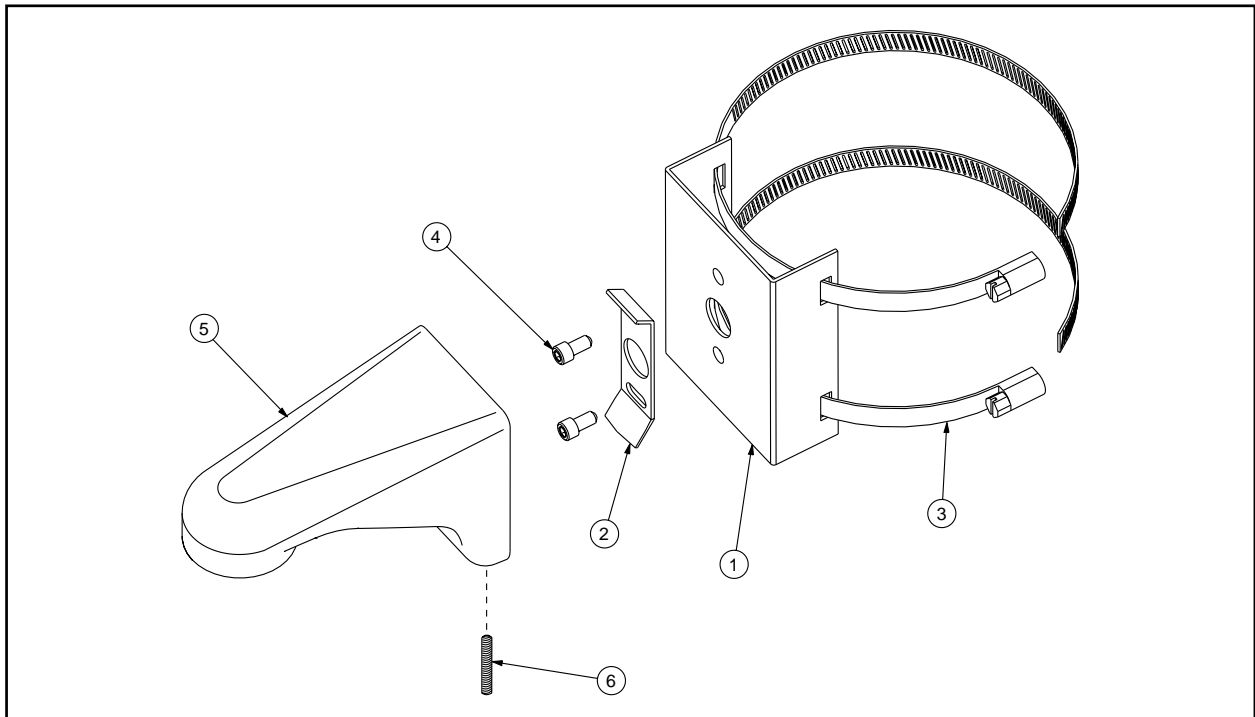


Figure 1. SWM-PA Pole Adapter Locator Drawing

Table A. SWM-PA Pole Adapter Key List

Item	Qty	Description
1	1	Pole adapter, gray or black
2	1	Mounting cleat (not supplied)
3	2	Stainless steel strap
4	2	Screw, 1/4-20, socket head
5	1	Spectra® Compact Wall Mount (not supplied)
6	1	Set screw, 10-24 (not supplied)

### 3.2 SWM SERIES SPECTRA® COMPACT WALL MOUNT

**NOTE:** Make sure no moisture has condensed inside the mount before installation.

**NOTE:** The mounting cleat has an arrow embossed in it, for orientation purposes, and must point upward.

**NOTE:** Anti-seize compound is supplied with the SWM Series wall mount.

### 4.0 SPECIFICATIONS

To install the SWM Series wall mount (not supplied) to the pole adapter, perform the following steps (see Figure 1):

1. Feed the electrical cables through the hole in the mounting cleat, and install the cleat securely onto the adapter with two 1/4-20 socket head screws (supplied). Position the cleat so the elongated mounting hole is below the cable entry hole. Adjust the vertical alignment of the cleat before tightening the screws.
2. Feed the electrical cables through the mount, hook the mount onto the top of the mounting cleat, and position the mount flush against the pole adapter. Back out, if necessary, and tighten the set screw in the bottom of the mount only until the mount is snug against the surface of the adapter. **Do not over-tighten.**
3. Attach the pendant dome back box to the mount:
  - a. Feed the electrical cables from the mount into the dome back box.
  - b. Apply anti-seize compound to the dome back box pipe threads.
  - c. Screw the dome back box into the threads in the mount.
  - d. Complete the installation following the instructions in the dome manual.

#### **MECHANICAL**

Construction:	Aluminum
Finish	
SWM-PA-GY:	Gray polyester powder coat
SWM-PA-BK:	Black polyester powder coat
Mount Method:	Adapter is attached to a pole with two stainless steel straps (supplied). Two stainless steel screws (supplied) are used to attach the wall mount cleat (not supplied) to the adapter. The lower hole in the mounting cleat is elongated, which allows for vertical alignment adjustment.
Cable Entry:	One cable feedthrough hole in the adapter and the mounting cleat
Maximum Load:	10 lb (4.5 kg)

#### **GENERAL**

Environment:	Indoor/outdoor				
Dimensions:	5.00" H x 3.65" W x 1.50" D (12.70 x 9.27 x 3.81 cm)				
Weight:	<table><tr><td><u>Unit</u></td><td><u>Shipping</u></td></tr><tr><td>0.7 lb (0.32 kg)</td><td>2.0 lb (0.91 kg)</td></tr></table>	<u>Unit</u>	<u>Shipping</u>	0.7 lb (0.32 kg)	2.0 lb (0.91 kg)
<u>Unit</u>	<u>Shipping</u>				
0.7 lb (0.32 kg)	2.0 lb (0.91 kg)				

(Design and product specifications subject to change without notice.)

## 5.0 WARRANTY AND RETURN INFORMATION

### WARRANTY

Pelco will repair or replace, without charge, any merchandise proved defective in material or workmanship for a period of one year after the date of shipment.

Exceptions to this warranty are as noted below:

- Five years on FT/FR8000 Series fiber optic products.
- Three years on Genex® Series products (multiplexers, server, and keyboard).
- Three years on Camclosure® and fixed camera models, except the CC3701H-2, CC3701H-2X, CC3751H-2, CC3651H-2X, MC3651H-2, and CC3651H-2X camera models, which have a five-year warranty.
- Two years on standard motorized or fixed focal length lenses.
- Two years on Legacy®, CM6700/CM6800/CM9700 Series matrix, and DF5/DF8 Series fixed dome products.
- Two years on Spectra®, Esprit®, ExSite™, and PS20 Scanners, including when used in continuous motion applications.
- Two years on Esprit® and WW5700 Series window wiper (excluding wiper blades).
- Eighteen months on DX Series digital video recorders, NVR300 Series network video recorders, and Endura™ Series distributed network-based video products.
- One year (except video heads) on video cassette recorders (VCRs). Video heads will be covered for a period of six months.
- Six months on all pan and tilts, scanners or preset lenses used in continuous motion applications (that is, preset scan, tour and auto scan modes).

Pelco will warrant all replacement parts and repairs for 90 days from the date of Pelco shipment. All goods requiring warranty repair shall be sent freight prepaid to Pelco, Clovis, California. Repairs made necessary by reason of misuse, alteration, normal wear, or accident are not covered under this warranty.

Pelco assumes no risk and shall be subject to no liability for damages or loss resulting from the specific use or application made of the Products. Pelco's liability for any claim, whether based on breach of contract, negligence, infringement of any rights of any party or product liability, relating to the Products shall not exceed the price paid by the Dealer to Pelco for such Products. In no event will Pelco be liable for any special, incidental or consequential damages (including loss of use, loss of profit and claims of third parties) however caused, whether by the negligence of Pelco or otherwise.

The above warranty provides the Dealer with specific legal rights. The Dealer may also have additional rights, which are subject to variation from state to state.

If a warranty repair is required, the Dealer must contact Pelco at (800) 289-9100 or (559) 292-1981 to obtain a Repair Authorization number (RA), and provide the following information:

1. Model and serial number
2. Date of shipment, P.O. number, Sales Order number, or Pelco invoice number
3. Details of the defect or problem

If there is a dispute regarding the warranty of a product which does not fall under the warranty conditions stated above, please include a written explanation with the product when returned.

Method of return shipment shall be the same or equal to the method by which the item was received by Pelco.

### RETURNS

In order to expedite parts returned to the factory for repair or credit, please call the factory at (800) 289-9100 or (559) 292-1981 to obtain an authorization number (CA number if returned for credit, and RA number if returned for repair).

All merchandise returned for credit may be subject to a 20% restocking and refurbishing charge.

Goods returned for repair or credit should be clearly identified with the assigned CA or RA number and freight should be prepaid. Ship to the appropriate address below.

If you are located within the continental U.S., Alaska, Hawaii or Puerto Rico, send goods to:

Service Department  
Pelco  
3500 Pelco Way  
Clovis, CA 93612-5699

If you are located outside the continental U.S., Alaska, Hawaii or Puerto Rico and are instructed to return goods to the USA, you may do one of the following:

If the goods are to be sent by a COURIER SERVICE, send the goods to:

Pelco  
3500 Pelco Way  
Clovis, CA 93612-5699 USA

If the goods are to be sent by a FREIGHT FORWARDER, send the goods to:

Pelco c/o Expeditors  
473 Eccles Avenue  
South San Francisco, CA 94080 USA  
Phone: 650-737-1700  
Fax: 650-737-0933

® Pelco, the Pelco logo, Spectra, Esprit, Genex, Legacy, and Camclosure are registered trademarks of Pelco.

™ Endura and ExSite are trademarks of Pelco.

© Copyright 1998, Pelco. All rights reserved.

## Free Manuals Download Website

<http://myh66.com>

<http://usermanuals.us>

<http://www.somanuals.com>

<http://www.4manuals.cc>

<http://www.manual-lib.com>

<http://www.404manual.com>

<http://www.luxmanual.com>

<http://aubethermostatmanual.com>

Golf course search by state

<http://golfingnear.com>

Email search by domain

<http://emailbydomain.com>

Auto manuals search

<http://auto.somanuals.com>

TV manuals search

<http://tv.somanuals.com>