

DD08 Intercept Dome

Series Fixed mount

Installation/Operation Manual

C290M-A (6/99)

TABLE OF CONTENTS

<u>Section</u>	<u>Page</u>
1.0 WARNINGS	1
2.0 SCOPE	2
3.0 DESCRIPTION	2
3.1 MODELS	2
3.2 CERTIFICATIONS	2
4.0 INSTALLATION	3
4.1 FIXED MOUNT INSTALLATION AND REMOVAL	3
4.1.1 Installing Fixed Mount	3
4.1.2 Removing Fixed Mount	5
4.2 LENS WIRING	6
4.3 CAMERA/LENS INSTALLATION	6
5.0 ADJUSTMENTS	6
5.1 OPERATION	6
6.0 CARE AND MAINTENANCE	7
7.0 SPECIFICATIONS	7
8.0 EXPLODED ASSEMBLY DIAGRAM	8
8.1 MECHANICAL PARTS LIST	9
8.2 ASSOCIATED HARDWARE	9
9.0 WARRANTY AND RETURN INFORMATION	10

LIST OF ILLUSTRATIONS

<u>Figure</u>	<u>Page</u>
1 Back Box Power Switch Location	4
2 Removing Safety Pins	4
3 Removing/Attaching Dome to Fixed Mount	4
4 Installing Fixed Mount	4
5 Guide Pin/Latch Locations	5
6 Fixed Mount/Back Box Electrical Interconnect	5
7 Locking Fixed Mount in Place	6
8 Bezel Attachment	7
9 DD08 Fixed Mount Exploded Assembly Diagram	8

REVISION HISTORY

<u>Manual</u>	<u>Date</u>	<u>Comment</u>
C290M	—	Original version.
C290M-A	6/95	Rev. A. Revised to show rocker style power switch.
	6/99	Added Section 3.2, Certifications.

®PELCO and the PELCO logo are registered trademarks of PELCO.

©Copyright 1995, PELCO. All rights reserved.

INSTALLATION/OPERATION MANUAL
DD08 INTERCEPT DOME SERIES
FIXED MOUNT

1.0 WARNINGS

Prior to installation and use of this product, the following WARNINGS should be observed.

1. Installation and servicing should only be done by qualified service personnel and conform to all local codes.
2. Unless the unit is specifically marked as a NEMA Type 3, 3R, 3S, 4, 4X, 6, or 6P enclosure, it is designed for indoor use only and it must not be installed where exposed to rain and moisture.
3. Only use replacement parts recommended by PELCO.
4. After replacement/repair of this unit's electrical components, conduct a resistance measurement between line and exposed parts to verify the exposed parts have not been connected to line circuitry.
5. The installation method and materials should be capable of supporting four times the weight of the enclosure, pan/tilt, camera and lens combination.

The product bears the following marks:

This symbol indicates that dangerous voltage constituting a risk of electric shock is present within this unit.



SA 1965

This symbol indicates that there are important operating and maintenance instructions in the literature accompanying this unit.



SA 1966

CAUTION:
TO REDUCE THE RISK OF ELECTRICAL SHOCK, DO NOT REMOVE COVER. NO USER-SERVICEABLE PARTS INSIDE. REFER SERVICING TO QUALIFIED SERVICE PERSONNEL.

CAUTION:
RISK OF ELECTRIC SHOCK.
DO NOT OPEN.

Please thoroughly familiarize yourself with the information in this manual prior to installation and operation.

2.0 SCOPE

The information contained in this manual covers the DD08 Series fixed mount for the IDS08 Series Intercept Domes.

This manual pertains only to the fixed mount. Proceed with installation of the fixed mount and the camera/lens once back box installation has been completed.

3.0 DESCRIPTION

The IDS08 Intercept Series of domes allow you to select any combination of available features to create a custom dome system. This integral system includes fixed mount or dome drive (pan/tilt), Coaxitron receiver/driver and factory installed camera/lens package.

To facilitate this, we use a building-block approach in assembling the desired components to fulfill the job requirements. The blocks are broken into four sections. They are:

- 1 Dome Drive (DD08)
- 2 Dome Receiver/Driver (DRD08)
- 3 Back Box (BB08)
- 4 Imager/Optics Package (IOP08)

The dome system is shipped in two separate boxes:

- 1 box containing the Back Box
- 1 box containing the Dome Drive, Dome, Dome Receiver/Driver (when ordered) and Imager/Optics Package (factory assembled)

3.1 MODELS

The model designator is DD08XXX, where each "X" represents a feature that is essential for operation.

Example: DD08 E 3 0 Dome drive with SL and presets, variable pan speed, and black opaque dome with smoked window

Model	Dome Drive	Dome Pan Speed	Dome Color
DD08	A = Fixed mount B = 355° C = 360° SL D = 355° & Presets E = SL & Presets	0 = None 1 = 12°/sec 2 = 24°/sec 3 = Variable*	0 = Blk opaque with smoked window 1 = Blk opaque with clear window 2 = Chrome 3 = Gold
* 0 to >200°/sec			

3.2 CERTIFICATIONS

	UL	CE
DD08A00	X	
DD08B10	X	X
DD08B11	X	X
DD08B20	X	X
DD08B21	X	X
DD08C20	X	X
DD08C21	X	X
DD08C30	X	X
DD08D11	X	X
DD08D20	X	X
DD08E30	X	X
DD08E31	X	X

4.0 INSTALLATION

4.1 FIXED MOUNT INSTALLATION AND REMOVAL

CAUTION

Switch the rocker style power switch in back box to the OFF position before installing or removing fixed mount.

No wiring interface is required between the back box and the fixed mount. All wiring connections are achieved when the mechanical connection of the fixed mount is made.

Ensure the fixed mount will interface electrically with the back box you have chosen to use. Refer to the back box manual, C456M, if necessary.

4.1.1 INSTALLING FIXED MOUNT

To install the fixed mount:

1. Turn off back box power switch, if applicable to your back box. (See Figure 1 for switch location.)
2. Remove the hairpin style safety pins from the two latches in the back box (see Figure 2).
3. Remove dome from fixed mount. This is only a pull apart procedure (refer to Figure 3.)
4. Grasp the fixed mount with two hands as shown in Figure 4.
5. While lifting the unit up into the back box, find the two (2) V-opening latches and two (2) guide pins at the rear of the back box (see Figure 5).

NOTE: Ensure that you install the fixed mount in correct rotation to the back box so that the electrical connector on top of fixed mount lines up with mating connector in back box (see Figure 6).

6. Upon locating the guide pins, wiggle the unit back and forth to ensure the guide pins are aligned with the two (2) Delrin bushings on the fixed mount. At that instant, push the mount up until the two (2) V-shaped latches engage and lock the mount in place (see Figure 7). Be sure the latches are completely closed by pulling down on the latch arm as a check.
7. Insert the two hairpin style safety pins previously removed in step 2 into the latches to prevent inadvertent release of fixed mount from the back box.
8. Install camera/lens of choice, positioning onto mount with sufficient clearance for dome attachment.
9. Remove lens cap.
10. Install dome onto fixed mount (refer to Figure 3), aligning window slot of dome with lens.

NOTE: The fixed mount may also be installed/removed (or bicycled) with the camera/lens already installed on mount, if needed.



Figure 1. Back Box Power Switch Location



Figure 3. Removing/Attaching Dome to Fixed Mount



Figure 2. Removing Safety Pins



Figure 4. Installing Fixed Mount

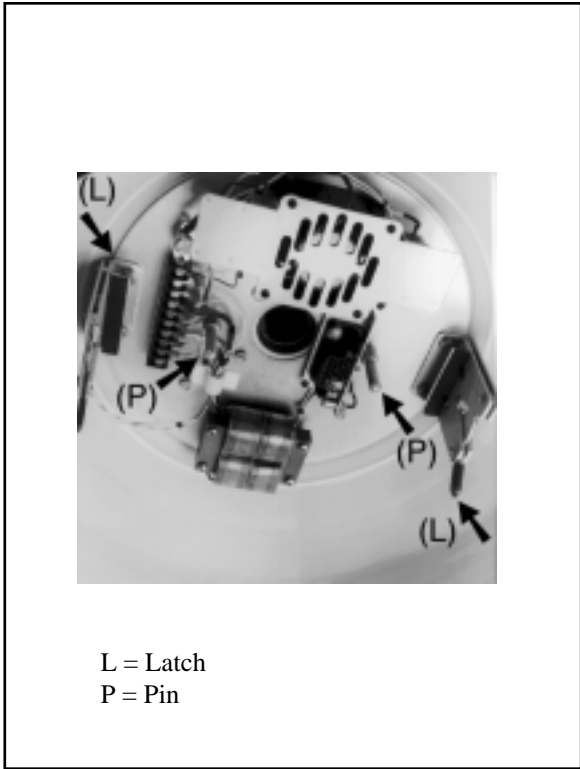


Figure 5. Guide Pin/Latch Locations

4.1.2 REMOVING FIXED MOUNT

To remove the fixed mount:

1. Remove the back box bezel/trim ring as described in back box manual, C456M, and the dome.
2. Turn off back box power switch, if applicable to your model (see Figure 1).
3. Remove the two hairpin style safety pins from the back box latches (see Figure 2).
4. Open only one of the latches by pressing the latch arm with your finger.
5. Grasp the unit with one hand to prepare for the 5-10 lb (2.27-4.54 kg) load. Now press open the other latch with your other hand and lower the fixed mount.

NOTE: When handling the mount please treat it with care for there are components that could possibly bend or be damaged.

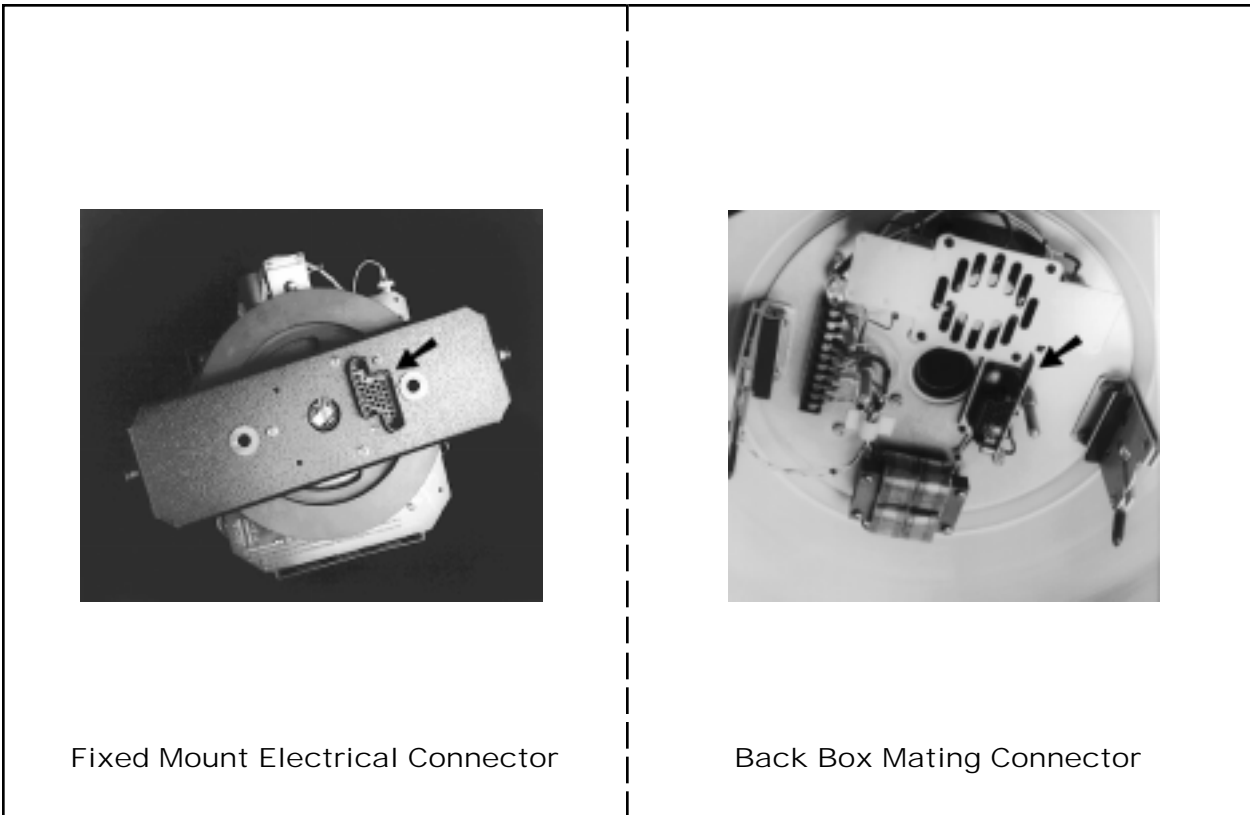


Figure 6. Fixed Mount/Back Box Electrical Interconnect



Figure 7. Locking Fixed Mount in Place

4.2 LENS WIRING

Refer to back box manual, C456M, for wiring pinouts and wire lens according to manufacturers instructions .

4.3 CAMERA/LENS INSTALLATION

Install the camera/lens you have selected for use with the IDS08 series dome as follows:

1. Attach camera/lens to the tilt table using the 1/4-20 x 1/2" fastener (supplied), mounting through the tilt table into the camera. Only snug the fastener at this time to allow for camera/lens positioning.
2. Connect camera power spade lugs and coax video cable.
3. Ensure there is sufficient initial clearance between the camera/lens and dome as you carefully attach dome to fixed mount. Align the two (2) ball studs on the dome to the two (2) ball stud receivers on the fixed mount and push dome until a snapping sound occurs (refer to Figure 3).
4. Position camera/lens and route wiring as necessary to achieve clearances. This procedure may require removing and reattaching dome a few times to obtain correct position.
5. After satisfactory clearances have been achieved, remove dome and tighten camera/lens fastener.

5.0 ADJUSTMENTS

To adjust the horizontal and vertical position of the fixed mount perform the following steps:

1. Remove dome as per instructions in Section 4.1.1, step 3.
2. Loosen the horizontal positioning lock-down knob; then rotate mount to the desired position and re-tighten knob.
3. Loosen the vertical positioning lock-down knob and adjust tilt table to desired position; then re-tighten knob.
4. Attach the dome to the drive as described in Section 4.3, step 3, Camera/Lens Installation.

5.1 OPERATION

Upon completion of the fixed mount and camera/lens installation and positioning adjustments of the fixed mount, the Intercept Dome is ready for operation.

Reach into the back box and turn the power switch ON (if applicable to your back box).

CAUTION

The fixed mount should never be installed or removed when power switch is in the ON position.

Now attach the bezel or trim ring to the back box as shown in Figure 8. Align the three bezel pins with the large hole in the back box brackets; push the bezel up and rotate clockwise to latch.

Installation of your Intercept Dome is now complete and dome is ready for operation.



Figure 8. Bezel Attachment

6.0 CARE AND MAINTENANCE

Regularly scheduled maintenance will prolong the operational life and appearance of the equipment.

IMPORTANT

The acrylic dome is an optical surface. When cleaning the inner surface of the dome and viewing window, treat as carefully as you would a fine camera lens.

Do not use liquid of any kind on coated inner surface of dome.

If dust or other debris accumulates on the inside of the lower dome, remove with clean air pressure only. Compressed air cans are available from commercial photographic equipment and supply dealers.

Clean the outer surface of the dome and the inner surface of the viewing window with a non-abrasive cleaning cloth and anti-static cleaner that is safe for use on acrylic plastic. Do not use kerosene or similar substances that can scratch the surface.

7.0 SPECIFICATIONS

MECHANICAL

Pan: 360° movement in horizontal plane

Tilt: -90° movement from horizontal plane

Approximate Camera/Lens Size: Maximum total length of camera/lens 6.50" (16.5 cm), including BNC cable connection to camera; max. lens width 4.50" (11.4 cm); max. lens height 3.25" (8.25 cm)

Connectors
Video: BNC

Camera Power: Spade lugs

GENERAL

Construction
Fixed Mount: Aluminum with stainless steel hardware

Lower Dome: Acrylic hemisphere available in the following types:

Black opaque with smoked window (1 f-stop light loss)

Black opaque with clear window (virtually zero light loss)

Chrome or Gold (2 f-stop light loss)

Weight: 2 lbs 4.8 oz. (1.04 kg).

8.0 EXPLODED ASSEMBLY DIAGRAM

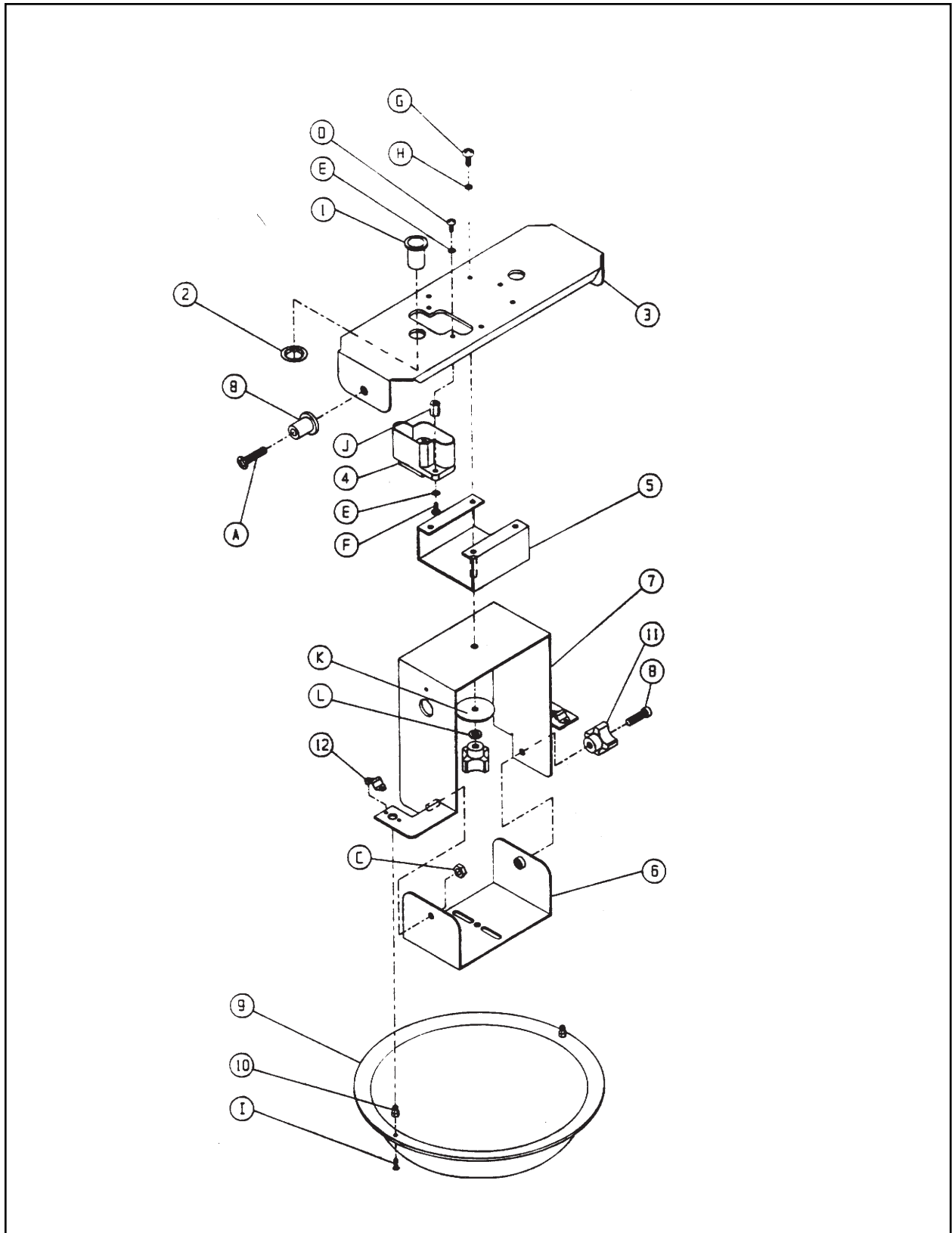


Figure 9. DD08 Fixed Mount Exploded Assembly Diagram

8.1 MECHANICAL PARTS LIST

The following parts list corresponds to the exploded assembly diagram in Figure 9.

<u>Item No.</u>	<u>Quantity</u>	<u>Description</u>	<u>Part Number</u>
1	2	Bushing, delrin 3/8" ID x 5/8" OD	80010004
2	2	Push nut, .625" OD	80010011
3	1	Bracket, drive mount, upper	8004034COMP
4	1	Connector, receptacle, 25 position	CON10J025Z41T
5	1	Bracket, spindle, fixed mount	8004037COMP
6	1	Tilt table, fixed mount	8004021COMP
7	1	Frame 8", fixed mount	8004022COMP
8	2	Pin, latch, dome drive	8004145COMP
9	1	Dome, 8-1/2", acrylic	
		Black opaque w/smoked viewing window	80810011-0
		Black opaque w/clear viewing window	80810011-1
		Chrome finish f/2	80810011-2
		Gold finish f/2	80810011-3
10	2	Ball stud	PT180410000
11	2	Knob, grey, 1/4-20 tapped	CM1610003
12	2	Receiver, ball stud	PT180410001
13	6	Pin, crimp, loose piece (not shown) (for use with item #4)	CON66107-2
14	1	Connector, BNC, crimp, for RG174 coax (not shown)	CONCPM88-174

8.2 ASSOCIATED HARDWARE

<u>Item No.</u>	<u>Quantity</u>	<u>Description</u>	<u>Part Number</u>
A	2	Screw 1/4-20 x 1" flat hd phil, SS	ZH1/420X1.00SFS
B	1	Screw 1/4-20 x 1" soc hd c/s,SS	ZH1/420X1.00SS
C	1	Nut, lock, hex, 1/4-20, nylon insert, SS	ZH1/420NUTCHN
D	2	Screw 6-32 x 3/8" pan hd phil, SS	ZH6-32X.375SPP
E	4	Washer, internal star #6, SS	ZH6LWSIS
F	2	Screw 6-32 x 1/2" pan hd phil, SS	ZH6-32X.500SPP
G	4	Screw 8-32 x 1/2" pan hd phil, SS	ZH8-32X.500SPP
H	4	Washer, internal star #8, SS	ZH8LWSIS
I	2	Screw 6-32 x 3/8" flat hd phil, black oxide	ZH6-32X.375BPF
J	2	Spacer, 1/4" hex x 1/2" L, 6-32 tapped	SPA8423
K	1	Washer, fender, 1/4 x 1.5 x 14 ga, black oxide	ZH255X1.50X62
L	1	Washer, split lock, 1/4" SS	ZH1/4LWSSL

9.0 WARRANTY AND RETURN INFORMATION

WARRANTY AND RETURN INFORMATION

WARRANTY

Pelco will repair or replace, without charge, any merchandise proved defective in material or workmanship for a period of one year after the date of shipment.

Exceptions to this warranty are as noted below:

- Five years on FT/FR8000 Series fiber optic products.
- Three years on Genex® Series products (multiplexers, server, and keyboard).
- Three years on Camclosure® and fixed camera models, except the CC3701H-2, CC3701H-2X, CC3751H-2, CC3651H-2X, MC3651H-2, and MC3651H-2X camera models, which have a five-year warranty.
- Two years on standard motorized or fixed focal length lenses.
- Two years on Legacy®, CM6700/CM6800/CM9700 Series matrix, and DF5/DF8 Series fixed dome products.
- Two years on Spectra®, Esprit®, ExSite™, and PS20 scanners, including when used in continuous motion applications.
- Two years on Esprit® and WW5700 Series window wiper (excluding wiper blades).
- Eighteen months on DX Series digital video recorders, NVR300 Series network video recorders, and Endura™ Series distributed network-based video products. months on DX Series digital video recorders, NVR300 Series network video recorders, Endura™ Series distributed network-based video products, and TW3000 Series twisted pair transmission products.
- One year (except video heads) on video cassette recorders (VCRs). Video heads will be covered for a period of six months.
- Six months on all pan and tilts, scanners or preset lenses used in continuous motion applications (that is, preset scan, tour and auto scan modes).

Pelco will warrant all replacement parts and repairs for 90 days from the date of Pelco shipment. All goods requiring warranty repair shall be sent freight prepaid to Pelco, Clovis, California. Repairs made necessary by reason of misuse, alteration, normal wear, or accident are not covered under this warranty.

Pelco assumes no risk and shall be subject to no liability for damages or loss resulting from the specific use or application made of the Products. Pelco's liability for any claim, whether based on breach of contract, negligence, infringement of any rights of any party or product liability, relating to the Products shall not exceed the price paid by the Dealer to Pelco for such Products. In no event will Pelco be liable for any special, incidental or consequential damages (including loss of use, loss of profit and claims of third parties) however caused, whether by the negligence of Pelco or otherwise.

The above warranty provides the Dealer with specific legal rights. The Dealer may also have additional rights, which are subject to variation from state to state.

If a warranty repair is required, the Dealer must contact Pelco at (800) 289-9100 or (559) 292-1981 to obtain a Repair Authorization number (RA), and provide the following information:

1. Model and serial number
2. Date of shipment, P.O. number, Sales Order number, or Pelco invoice number
3. Details of the defect or problem

If there is a dispute regarding the warranty of a product which does not fall under the warranty conditions stated above, please include a written explanation with the product when returned.

Method of return shipment shall be the same or equal to the method by which the item was received by Pelco.

RETURNS

In order to expedite parts returned to the factory for repair or credit, please call the factory at (800) 289-9100 or (559) 292-1981 to obtain an authorization number (CA number if returned for credit, and RA number if returned for repair).

All merchandise returned for credit may be subject to a 20% restocking and refurbishing charge.

Goods returned for repair or credit should be clearly identified with the assigned CA or RA number and freight should be prepaid. Ship to the appropriate address below.

If you are located within the continental U.S., Alaska, Hawaii or Puerto Rico, send goods to:

Service Department
Pelco
3500 Pelco Way
Clovis, CA 93612-5699

If you are located outside the continental U.S., Alaska, Hawaii or Puerto Rico and are instructed to return goods to the USA, you may do one of the following:

If the goods are to be sent by a COURIER SERVICE, send the goods to:

Pelco
3500 Pelco Way
Clovis, CA 93612-5699 USA

If the goods are to be sent by a FREIGHT FORWARDER, send the goods to:

Pelco c/o Expeditors
473 Eccles Avenue
South San Francisco, CA 94080 USA
Phone: 650-737-1700
Fax: 650-737-0933

© Pelco, the Pelco logo, Spectra, Esprit, Genex, Legacy, and Camclosure are registered trademarks of Pelco.

™ Endura and ExSite are trademarks of Pelco.

© Copyright 1999, Pelco. All rights reserved.

Free Manuals Download Website

<http://myh66.com>

<http://usermanuals.us>

<http://www.somanuals.com>

<http://www.4manuals.cc>

<http://www.manual-lib.com>

<http://www.404manual.com>

<http://www.luxmanual.com>

<http://aubethermostatmanual.com>

Golf course search by state

<http://golfingnear.com>

Email search by domain

<http://emailbydomain.com>

Auto manuals search

<http://auto.somanuals.com>

TV manuals search

<http://tv.somanuals.com>