

RM2100/2196

VCR Rack Mount Kit

Installation/Operation Manual

C806M (3/97)

Pelco • 3500 Pelco Way, Clovis, CA 93612-5699 • USA • (800) 289-9100 or (1-559) 292-1981
FAX (800) 289-9150 or (1-559) 292-3827

CONTENTS

Section	Page
1.0 GENERAL	1
1.1 IMPORTANT SAFEGUARDS AND WARNINGS	1
1.2 UNPACKING INSTRUCTIONS.	2
2.0 DESCRIPTION	3
3.0 ASSEMBLY	3
4.0 INSTALLATION	4
5.0 SPECIFICATIONS	4
6.0 CARE AND MAINTENANCE	5
7.0 WARRANTY AND RETURN INFORMATION	6

LIST OF ILLUSTRATIONS

Figure		Page
1	RM2100/2196 Exploded Assembly	3
2	RM2100/2196 Dimension Drawing	4

REVISION HISTORY

Manual #	Date	Comments
C806M	3/97	Original manual.

1.0 GENERAL

1.1 IMPORTANT SAFEGUARDS AND WARNINGS

Prior to installation and use of this product, the following WARNINGS should be observed.

1. Installation and servicing should only be done by qualified service and installation personnel.
2. Installation shall be done in accordance with all local and national electrical and mechanical codes utilizing only approved materials.
3. Use only installation methods and materials capable of supporting four times the maximum specified load.

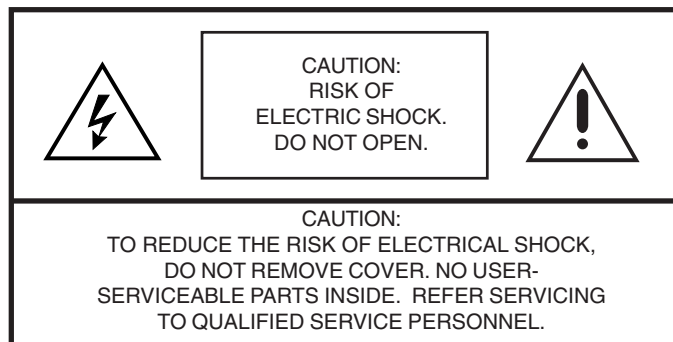
The product and/or manual may bear the following marks:



This symbol indicates that dangerous voltage constituting a risk of electric shock is present within this unit.



This symbol indicates that there are important operating and maintenance instructions in the literature accompanying this unit.



**Please thoroughly familiarize yourself with the information
in this manual prior to installation and operation.**

1.2 UNPACKING INSTRUCTIONS.

Unpack and inspect all parts carefully.

The following items are supplied:

- 1 RM2100/2196 Manual
- 1 Side Panel, left
- 1 Side Panel, right
- 1 Base
- 1 Cross Bar
- 1 Front Panel w/Smoked Lexan Window and Locking Knob
- 2 Keys

Be sure to save the shipping carton and any inserts. They are the safest material in which to make future shipments.

If an item appears to have been damaged in shipment, replace it properly in its carton and contact the factory at (800) 289-9100 or (559) 292-1981 for a replacement. (International customers fax 1-559-348-1120 for authorization and instructions.)

If an item needs to be returned to the factory for repair, consult the WARRANTY AND RETURN section of this manual for instructions.

2.0 DESCRIPTION

NOTE: The RM2100/2196 is designed for front loading VCRs only and will fit any standard 19 inch (48.26 cm) rack.

The RM2100/2196 VCR Rack Mount Kit has been specifically designed to provide rack mounting and security for GYYR™ Model TLC2100 and TLC2196 time-lapse video recorders. The design of the RM2100/2196 VCR Rack Mount allows the customer complete removal of the front panel for easier installation and better access to the VCR. A locking knob on the front panel allows access to the VCR with or without the key. The RM2100/2196 can be easily mounted using four (4) 10-32 x 3/8" pan head screws (not supplied).

3.0 ASSEMBLY

NOTE: For ease of assembly, both side panels should be in position, perpendicular to the base, before the cross bar is snapped into place.

Refer to Figure 1 during assembly.

1. Place the base (3) on a flat, stable surface. Allow the front to overhang the end of the surface.
2. Interlock the side panels (1 & 2), one panel at a time. Lift the base and insert the (5) tabs for the corresponding side panel into the base and rotate the side panel up.
3. Secure the cross bar (4) to complete the assembly. Make sure the cutout on the cross bar faces front.
 - a. Line up the middle tab at the ends of the cross bar with the slots on top of the side panels.
 - b. Push in the middle tab (A) on the cross bar away from the side panel, while pushing down, until the tab snaps into the slot on the side panel.
 - c. Repeat step b for the other end of the cross bar.

Do not install front panel at this time.

The VCR Rack Mount is ready to install.

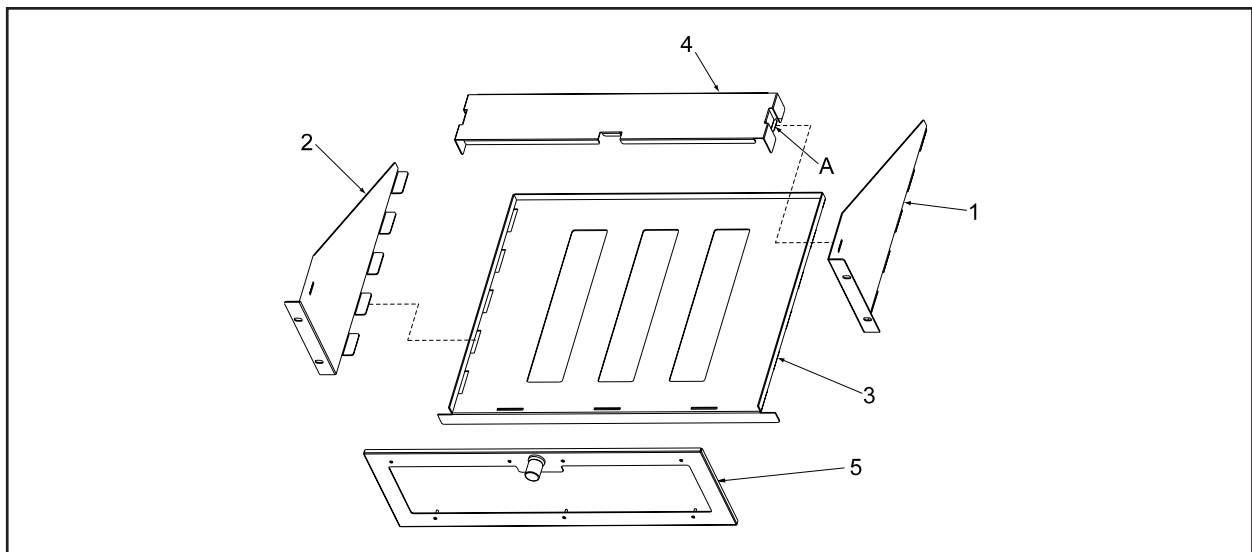


Figure 1. RM2100/2196 Exploded Assembly

4.0 INSTALLATION

REMINDER: The RM2100/2196 requires a minimum rack opening of 7.00" (17.78 cm).

CAUTION: The front panel is not permanently attached to the rack mount and is therefore not supported when unlatched.

1. With the front panel off, find a suitable opening in the console and insert the VCR rack mount carefully.
2. Holding the mount in place, align the holes on the rack and start each of the (4) 10-32 screws. Tighten the screws.
3. Make all necessary connections to the VCR and slide it into the opening until the rear feet of the VCR rest against the lip at the back of the base.

The front panel can now be installed by placing the tabs in their corresponding slots on the base panel and engaging the latch.

5.0 SPECIFICATIONS

The RM2100/2196 requires a minimum rack opening of 7.00" (17.78 cm).

Dimensions

VCR Compartment

Dimensions: 5.75" H x 17.15" W x 13.80" D (14.61 cm x 43.56 cm x 35.05 cm)

Overall

Dimensions: 7.00" H x 19.00" W x 14.40" D (17.78 cm x 48.26 cm x 36.58 cm)

Window

Dimensions: 4.00" x 18.00" (10.16 cm x 45.72 cm)

Construction

Rack mount: 16-gauge cold rolled steel

Front Panel: 16-gauge cold rolled steel with 1/4" (.63 cm) thick Smoked Lexan Window w/ locking latch

Finish:

Black polyester powder coat

Unit Weight:

7.188 lb (3.26 kg)

Maximum

Load Capacity: 25 lb (11.25 kg)

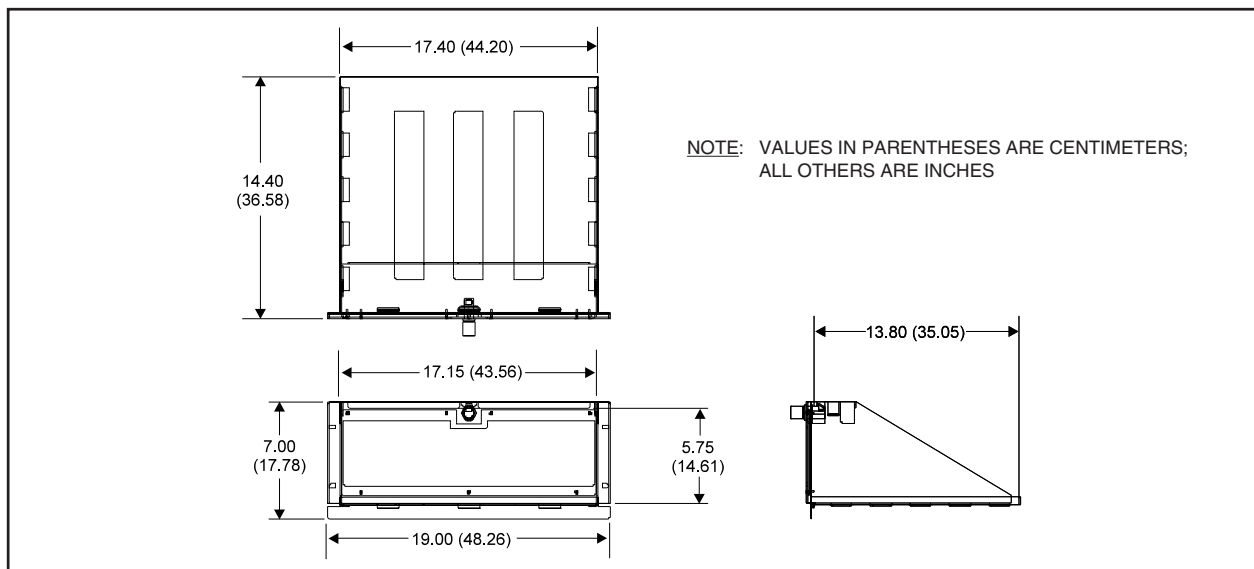


Figure 2. RM2100/2196 Dimension Drawing

6.0 CARE AND MAINTENANCE

It is recommended that only an antistatic, non-abrasive cleaner be used for cleaning the front panel.

7.0 WARRANTY AND RETURN INFORMATION

WARRANTY

Pelco will repair or replace, without charge, any merchandise proved defective in material or workmanship for a period of one year after the date of shipment.

Exceptions to this warranty are as noted below:

- Five years on FT/FR8000 Series fiber optic products.
- Three years on Genex® Series products (multiplexers, server, and keyboard).
- Three years on Camclosure® and fixed camera models, except the CC3701H-2, CC3701H-2X, CC3751H-2, CC3651H-2X, MC3651H-2, and MC3651H-2X camera models, which have a five-year warranty.
- Two years on standard motorized or fixed focal length lenses.
- Two years on Legacy®, CM6700/CM6800/CM9700 Series matrix, and DF5/DF8 Series fixed dome products.
- Two years on Spectra®, Esprit®, ExSite™, and PS20 scanners, including when used in continuous motion applications.
- Two years on Esprit® and WW5700 Series window wiper (excluding wiper blades).
- Eighteen months on DX Series digital video recorders, NVR300 Series network video recorders, and Endura™ Series distributed network-based video products.
- One year (except video heads) on video cassette recorders (VCRs). Video heads will be covered for a period of six months.
- Six months on all pan and tilts, scanners or preset lenses used in continuous motion applications (that is, preset scan, tour and auto scan modes).

Pelco will warrant all replacement parts and repairs for 90 days from the date of Pelco shipment. All goods requiring warranty repair shall be sent freight prepaid to Pelco, Clovis, California. Repairs made necessary by reason of misuse, alteration, normal wear, or accident are not covered under this warranty.

Pelco assumes no risk and shall be subject to no liability for damages or loss resulting from the specific use or application made of the Products. Pelco's liability for any claim, whether based on breach of contract, negligence, infringement of any rights of any party or product liability, relating to the Products shall not exceed the price paid by the Dealer to Pelco for such Products. In no event will Pelco be liable for any special, incidental or consequential damages (including loss of use, loss of profit and claims of third parties) however caused, whether by the negligence of Pelco or otherwise.

The above warranty provides the Dealer with specific legal rights. The Dealer may also have additional rights, which are subject to variation from state to state.

If a warranty repair is required, the Dealer must contact Pelco at (800) 289-9100 or (559) 292-1981 to obtain a Repair Authorization number (RA), and provide the following information:

1. Model and serial number
2. Date of shipment, P.O. number, Sales Order number, or Pelco invoice number
3. Details of the defect or problem

If there is a dispute regarding the warranty of a product which does not fall under the warranty conditions stated above, please include a written explanation with the product when returned. Method of return shipment shall be the same or equal to the method by which the item was received by Pelco.

RETURNS

In order to expedite parts returned to the factory for repair or credit, please call the factory at (800) 289-9100 or (559) 292-1981 to obtain an authorization number (CA number if returned for credit, and RA number if returned for repair).

All merchandise returned for credit may be subject to a 20% restocking and refurbishing charge. Goods returned for repair or credit should be clearly identified with the assigned CA or RA number and freight should be prepaid. Ship to the appropriate address below.

If you are located within the continental U.S., Alaska, Hawaii or Puerto Rico, send goods to:

Service Department
Pelco
3500 Pelco Way
Clovis, CA 93612-5699

If you are located outside the continental U.S., Alaska, Hawaii or Puerto Rico and are instructed to return goods to the USA, you may do one of the following:

If the goods are to be sent by a COURIER SERVICE, send the goods to:

Pelco
3500 Pelco Way
Clovis, CA 93612-5699 USA

If the goods are to be sent by a FREIGHT FORWARDER, send the goods to:

Pelco c/o Expeditors
473 Eccles Avenue
South San Francisco, CA 94080 USA
Phone: 650-737-1700
Fax: 650-737-0933

Pelco, the Pelco logo, Camclosure, Esprit, Genex, Legacy, and Spectra are registered trademarks of Pelco.
Endura and ExSite are trademarks of Pelco.

© Copyright 1997, Pelco. All rights reserved.

Free Manuals Download Website

<http://myh66.com>

<http://usermanuals.us>

<http://www.somanuals.com>

<http://www.4manuals.cc>

<http://www.manual-lib.com>

<http://www.404manual.com>

<http://www.luxmanual.com>

<http://aubethermostatmanual.com>

Golf course search by state

<http://golfingnear.com>

Email search by domain

<http://emailbydomain.com>

Auto manuals search

<http://auto.somanuals.com>

TV manuals search

<http://tv.somanuals.com>