

INSTALLATION/OPERATION



DX2000 Data Hub



C698M-A (6/04)

CONTENTS

Section	Page
IMPORTANT SAFEGUARDS AND WARNINGS	4
UNPACKING INSTRUCTIONS	4
DESCRIPTION	5
DATA HUB FRONT PANEL	5
DATA HUB REAR PANEL	6
MODELS	7
SUPPORTED COMMUNICATION TYPES	8
SETTING UP THE SYSTEM	8
INSTALLATION	9
CONNECTING POS TERMINALS TO THE DATA PORT INPUTS	9
CONNECTING ATMS TO THE DATA PORT INPUTS	9
CONNECTING DAISY-CHAINED DATA HUBS	10
CONNECTING TO THE DX2000 DVR	10
CONNECTING POWER TO THE DATA HUB	10
U.S. STANDARD	10
EUROPEAN STANDARD	10
PROGRAMMING THE DX2000 DVR FOR USE WITH A DATA HUB	11
INSTALLATION AND PROGRAMMING EXAMPLES	13
SIMPLE CONFIGURATION FOR TWO ATM OR POS DEVICES	13
MINIMUM CONFIGURATION FOR 16 ATM OR POS DEVICES	14
MAXIMUM CONFIGURATION USING EIGHT DATA HUBS	15
POWERING UP AND SYSTEM OPERATION STATUS	16
SPECIFICATIONS	17
REGULATORY NOTICES	18
WARRANTY AND RETURN INFORMATION	19

LIST OF ILLUSTRATIONS

Figure		Page
1	DX2000 Data Hub Front Panel	5
2	DX2000 Data Hub Rear Panel	6
3	Configuration for Two Devices	13
4	Associated Programming Configuration for Two Devices	13
5	Configuration for 16 Devices	14
6	Associated Programming Configuration For 16 Devices	14
7	Configuration Using Eight Data Hubs	15
8	Associated Programming Configuration Using Eight Data Hubs	16

IMPORTANT SAFEGUARDS AND WARNINGS

Observe the following WARNINGS before installing and using this product.

1. Installation and servicing should be done only by qualified service personnel and conform to all local codes.
2. Unless the unit is specifically marked as a NEMA Type 3, 3R, 3S, 4, 4X, 6, or 6P enclosure, it is designed for indoor use only and it must not be installed where exposed to rain and moisture.
3. The installation method and materials should be capable of supporting four times the weight of the unit.

The product and/or manual may bear the following marks:



This symbol indicates that dangerous voltage constituting a risk of electric shock is present within this unit.



This symbol indicates that there are important operating and maintenance instructions in the literature accompanying this unit.



Please thoroughly familiarize yourself with the information in this manual prior to installation and operation.

UNPACKING INSTRUCTIONS

Unpack and inspect all parts carefully. Save the shipping carton, boxes, and inserts. They are the safest manner in which to make future shipments.

If an item needs to be returned to the factory for repair, consult the WARRANTY AND RETURN section of this manual for instructions.

DESCRIPTION

The DX2000 Digital Video Recorder (DVR) can capture data from point-of-sale (POS) terminals and automated teller machines (ATMs) through four data ports. DVR data ports 3 and 4 can be connected to the DX2000 Data Hub. Each data hub lets you connect up to seven additional ATM or POS devices to a DX2000 DVR.

The data hub delivers transaction data to the DX2000 over a single cable at a distance of up to 4,000 feet (1,219 m). The data hubs can be daisy-chained together (up to four per chain, for eight total), providing flexibility in system installation while minimizing wire runs.

DATA HUB FRONT PANEL

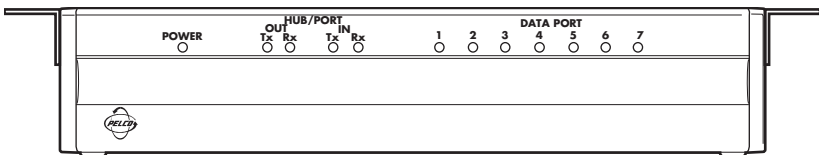


Figure 1. DX2000 Data Hub Front Panel

The indicators on the front panel show the following:

- **Power Indicator**

Lights to indicate the data hub has power.

- **HUB/PORT Indicators**

OUT

Tx: Lights when device data or data hub status information is transmitted to the DX2000 DVR.

Rx: Lights when configuration information is received from the DX2000 DVR.

IN

Tx: Lights when configuration information is transmitted to the next data hub in the daisy chain.

Rx: Lights when device data or data hub status information is received from the next data hub in the daisy chain.

- **DATA PORT Indicators (1-7)**

Light when data is received from the ATM or POS device connected to the specific port.

DATA HUB REAR PANEL

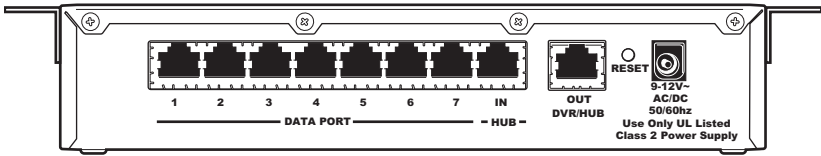


Figure 2. DX2000 Data Hub Rear Panel

The rear panel contains the following:

- **DATA PORT Input Connectors (1-7)**

These ATM or POS device inputs connect to DX2000 data adapter or personality interface module (PIM) cable (RJ-45 or RJ-11). Refer to the *Optional Compatible Products* section.

- **HUB IN Connector**

This is used to connect to the next data hub in the daisy chain (farther from the DX2000 DVR) using straight-pinned Cat5 cable with RJ-45 connectors.

- **DVR/HUB OUT Connector**

This is used to connect to the DX2000 DVR or the next data hub in the daisy chain using straight-pinned Cat5 cable with RJ-45 connectors.

- **RESET Button**

Press this button to reset the data hub.

- **AC/DC Power Connector**

This is used to connect to the 12V power supply.

MODELS

DX2000DH DX2000 Data Hub, U.S. standard power supply (115V, 60Hz input, 12 VDC output to data hub) and European standard power supply (230V, 50Hz input, 12 VDC output), FCC class B

The following are supplied:

Qty Description

- 1 DX2000DH
- 2 Mounting brackets (included for mounting under a counter or on a wall)
- 2 Power supplies (U.S. standard and European standard)
- 1 Power cord (U.S. standard)
- 1 Power cord (EU standard)
- 1 25-foot (7.6 m) straight-pinned Cat5 cable

Optional Compatible Products

RK101	DX2000DH rack mount kit
DX2000DA9	DB9 data adapter that connects directly to an ATM or POS device's RS-232 output port (DB9)
DX2000DA9T	DB9 "T" data adapter that connects to an ATM or POS device's RS-232 output port or existing RS-232 data cable (DB9)
DX2000DA25T	DB25 "T" data adapter that connects to a POS device's RS-232 output port or existing RS-232 data cable (DB25). It connects an ATM's RS-232 output port or SNA network cable (DB25).
ICI1000PIM	Data protocol translator used to interface with POS devices that lack RS-232 output ports. Refer to the ICI1000PIM Installation/Operation Manual (C1005M) for POS devices supported.

SUPPORTED COMMUNICATION TYPES

Data Encoding	Data Format	Baud Rate	Data Bits	Parity	Stop Bits*
Asynchronous NRZ	ASCII	19200	8	None	1
SNA/SDLC NRZ	EBCDIC	9600	7	Odd	2
SNA/SDLC NRZI		4800		Even	
		2400			
		1200			
		600			
		300			

* Stop bits are selected automatically.

NOTE: Programming is done in the DX2000 system setup.

SETTING UP THE SYSTEM

You need to do the following to set up your system:

1. Rack mount the data hub(s) (if applicable).
2. Connect the devices as described in the Installation section.
3. Power up the data hub(s) (as described in the *Connecting Power to the Data Hub*).
4. Program the DX2000 as described in the *Programming the DX2000 DVR for Use with a Data Hub* section.
5. Turn power on to units as described in the *Powering Up and System Operational Status* section.

INSTALLATION

Refer to the connection diagrams in the *Installation and Programming Examples* section. They help illustrate and clarify the connection process.

CONNECTING POS TERMINALS TO THE DATA PORT INPUTS

POS terminals with RS-232 output ports are connected to the data hub using the DX2000 data adapters (DX2000DA9 or DX2000DA9T for DB9 connectors and DX2000DA25T for DB25 connectors). Connect the data adapter to one of the data ports on the data hub using RJ-45 or RJ-11 cable. Refer to the DX2000 Data Adapters Installation/Operation Manual (C697M) for detailed connection information.

POS terminals without RS-232 output ports are connected to the data hub using the personality interface module (PIM). Connect the PIM to one of the data ports on the data hub using RJ-45 or RJ-11 cable. Refer to the IC11000PIM Installation/Operation Manual (C1005M) for POS devices supported and detailed connection information.

CONNECTING ATMS TO THE DATA PORT INPUTS

- **SNA Network Connection**

Connect the customer's SNA network to the data hub using the DX2000DA25T Data Adapter. Connect the data adapter to one of the data ports on the data hub using RJ-45 or RJ-11 cable. Refer to the DX2000 Data Adapters Installation/Operation Manual (C697M) for detailed connection information. (Refer to Figures 6 and 7.)

- **ATM RS-232 Output Port Connection**

Connect ATMs with RS-232 output ports to the data hub using the DX2000 data adapters (DX2000DA9 or DX2000DA9T for DB9 connectors or DX2000DA25T for DB25 connectors). Connect the data adapter to one of the data ports on the data hub using RJ-45 or RJ-11 cable. Refer to the DX2000 Data Adapters Installation/Operation Manual (C697M) for detailed connection information. (Refer to Figure 5.)

CONNECTING DAISY-CHAINED DATA HUBS

Up to four data hubs can be daisy-chained together. Connect the DVR/HUB OUT port of the next data hub in the daisy chain (farther from the DX2000 DVR) to the HUB IN port on the data hub being installed. Use straight-pinned Cat5 cable with RJ-45 connectors. (Refer to Figure 7.)

CONNECTING TO THE DX2000 DVR

Connect the DVR/HUB OUT port of the data hub to the DATA PORT input connector on the DX2000 DVR (you can use either port 3 or 4). Use straight-pinned Cat5 cable with RJ-45 connectors.

CONNECTING POWER TO THE DATA HUB

U.S. Standard

1. Connect the U.S. standard (120V, 60 Hz) power supply's output connector to the data hub's power connector.
2. Plug the power supply into the proper power source.

European Standard

1. Connect the power cord to the European standard (230V, 50 Hz) power supply.
2. Connect the power supply's output connector to the data hub's power connector.
3. Plug the power cord into the proper power source.

PROGRAMMING THE DX2000 DVR FOR USE WITH A DATA HUB

You will need to program the following settings on the DX2000 DVR configuration screens to make the data hub work properly.

Refer to the DX2000 Series Digital Video Recorder Installation/Operation Manual (C690M) for more detailed programming information. Also refer to the programming screen examples in the *Installation and Programming Examples* section. They will help clarify the programming process.

Each data hub has seven ports to which data devices can be connected. Each data hub has an eighth port (IN) that is used to daisy-chain to another data hub. The data hub's ninth port (OUT) is used to connect to the DX2000 DVR or to other data hubs. Up to four data hubs can be daisy-chained through data ports P3 and P4 of the DX2000 DVR, for a total of eight hubs.

The DX2000 can handle a maximum of 16 data inputs. You can select any combination of 16 total data inputs from the 58 available ports (8 hubs total x 7 ports per hub = 56, plus 2 DX2000 data ports = 58).

Do the following to program the DX2000 DVR for use with a data hub:

1. On your PC, call up Microsoft® Internet Explorer. Then, type the DVR's IP address in the Address box and press Enter. The Enter Network Password screen appears.

If the DVR's IP address has been changed from the default (192.168.2.108:8004) and you do not know this new IP address, you must obtain it from the network administrator.

NOTE: Port 80 is the standard web service (http) port. As an added network security measure, port 8004 is the standard web service port for the DX2000. Therefore, any time you connect to the DX2000 from your browser, you must add the 8004 port designation at the end of the Internet address, preceded by a colon (for example, http://192.168.2.108:8004). This is true for any Internet address you choose to assign to the DX2000. Port 8004 is a fixed port number and cannot be changed.

2. Type an administrative ID and password in the box, and then click the **OK** button. (The default administrative ID is **admin** and the default administrative password is **PELCOADM**.) A connection with the DX2000 is established.
3. Click the **Configuration** button. Click **Data Interface**.

4. On the Data Port Configuration tab screen, set up the DX2000 Data Hub. (Refer to the examples in the *Installation and Programming Examples* section.)

You can select any of the seven ports on Hubs 1, 2, 3, and 4 as you wish. Multiple devices may be assigned to the same port only if it is an ATM network connection. Non-network devices may not be assigned to the same port.

To configure your data hub(s), do the following:

- a. Use the pull-down menu to select **Communication Type**.
 - b. Enter a name for the data device in the **Device Name** box or accept the default.
 - c. Checkmark an **Enable** box to activate the data device.
 - d. Use the pull-down menu under DVR Port to select either **P3Hub** or **P4Hub** as the port on the DVR to which the data hub will be connected.
 - e. Use the pull-down menu under Hub to select hub **1-4**.
 - f. Use the pull-down menu under Hub Port to select port **1-7** on the data hub.
 - g. For ATM network connections, enter then hexadecimal device address in the **Network Address** box.
 - h. Repeat steps a-g for each data device you want to assign.
5. Click the **Save** button to save this setup.

INSTALLATION AND PROGRAMMING EXAMPLES

The following examples show typical installations using the DX2000DH Data Hub. The input devices (indicated by DATA DEVICE #) can be a POS terminal, ATM, or ATM SNA network connection using one of the DX2000 data adapters or the PIM. The associated DX2000 DVR programming shows "Standard Printer" as the communication type, which would be "ATM (SNA)," "PIM," or a custom communication type, depending on the actual device used.

SIMPLE CONFIGURATION FOR TWO ATM OR POS DEVICES

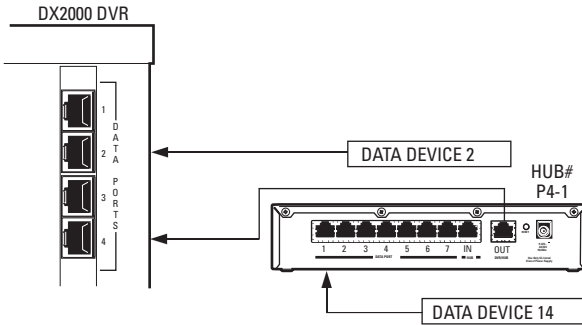


Figure 3. Configuration for Two Devices

Enable	Device Name	Communication Type	DVR Port	Hub	Hub Port	Network Address	Optional 422 Interface
<input type="checkbox"/>	Data Device 1	No Connection					
<input checked="" type="checkbox"/>	Data Device 2	Standard Printer	P2				
<input type="checkbox"/>	Data Device 3	No Connection					
<input type="checkbox"/>	Data Device 4	No Connection					
<input type="checkbox"/>	Data Device 5	No Connection					
<input type="checkbox"/>	Data Device 6	No Connection					
<input type="checkbox"/>	Data Device 7	No Connection					
<input type="checkbox"/>	Data Device 8	No Connection					
<input type="checkbox"/>	Data Device 9	No Connection					
<input type="checkbox"/>	Data Device 10	No Connection					
<input type="checkbox"/>	Data Device 11	No Connection					
<input type="checkbox"/>	Data Device 12	No Connection					
<input type="checkbox"/>	Data Device 13	No Connection					
<input checked="" type="checkbox"/>	Data Device 14	Standard Printer	P4 Hub	1	1		
<input type="checkbox"/>	Data Device 15	No Connection					
<input type="checkbox"/>	Data Device 16	No Connection					

Figure 4. Associated Programming Configuration for Two Devices

MINIMUM CONFIGURATION FOR 16 ATM OR POS DEVICES

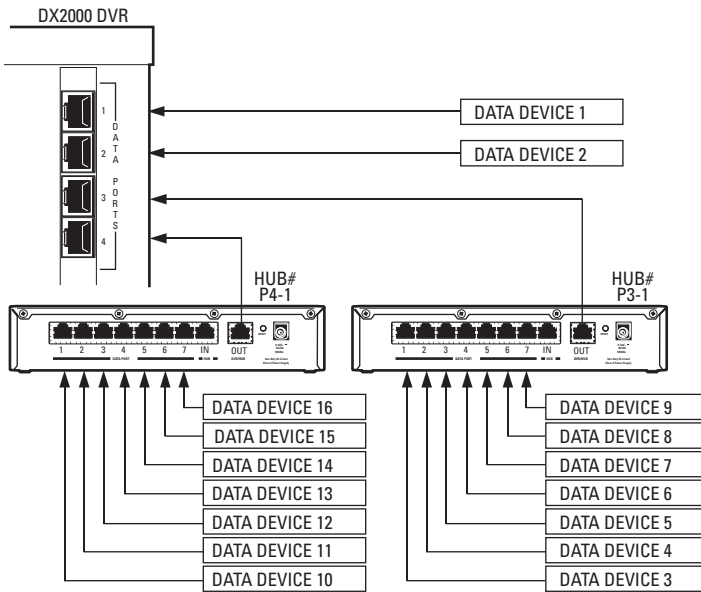


Figure 5. Configuration for 16 Devices

Unit: FELCORDVR01

DX2016

Configuration Logout

Live Video Recorded Video

Live Data Recorded Data

Data Interface Save Cancel

Video/Data Configurations

Camera Names

Record Schedule

Record On Motion Detection

Record On Events & Alarms

Record On Data Exceptions

Data Interface

Data Format & Exceptions

System Configurations

General Information

Disk Allocation

File Utilities

Data Port Configuration Communication Type Setup Associated Data Format & Camera

Enable	Device Name	Communication Type	DVR Port	Hub	Network Address	Optional 422 Interface
<input checked="" type="checkbox"/>	Data Device 1	Standard Printer	P1			
<input checked="" type="checkbox"/>	Data Device 2	Standard Printer	P2			
<input checked="" type="checkbox"/>	Data Device 3	Standard Printer	P3 Hub	1	1	
<input checked="" type="checkbox"/>	Data Device 4	Standard Printer	P3 Hub	1	2	
<input checked="" type="checkbox"/>	Data Device 5	Standard Printer	P3 Hub	1	3	
<input checked="" type="checkbox"/>	Data Device 6	Standard Printer	P3 Hub	1	4	
<input checked="" type="checkbox"/>	Data Device 7	Standard Printer	P3 Hub	1	5	
<input checked="" type="checkbox"/>	Data Device 8	Standard Printer	P3 Hub	1	6	
<input checked="" type="checkbox"/>	Data Device 9	Standard Printer	P3 Hub	1	7	
<input checked="" type="checkbox"/>	Data Device 10	Standard Printer	P4 Hub	1	1	
<input checked="" type="checkbox"/>	Data Device 11	Standard Printer	P4 Hub	1	2	
<input checked="" type="checkbox"/>	Data Device 12	Standard Printer	P4 Hub	1	3	
<input checked="" type="checkbox"/>	Data Device 13	Standard Printer	P4 Hub	1	4	
<input checked="" type="checkbox"/>	Data Device 14	Standard Printer	P4 Hub	1	5	
<input checked="" type="checkbox"/>	Data Device 15	Standard Printer	P4 Hub	1	6	
<input checked="" type="checkbox"/>	Data Device 16	Standard Printer	P4 Hub	1	7	

Figure 6. Associated Programming Configuration For 16 Devices

MAXIMUM CONFIGURATION USING EIGHT DATA HUBS

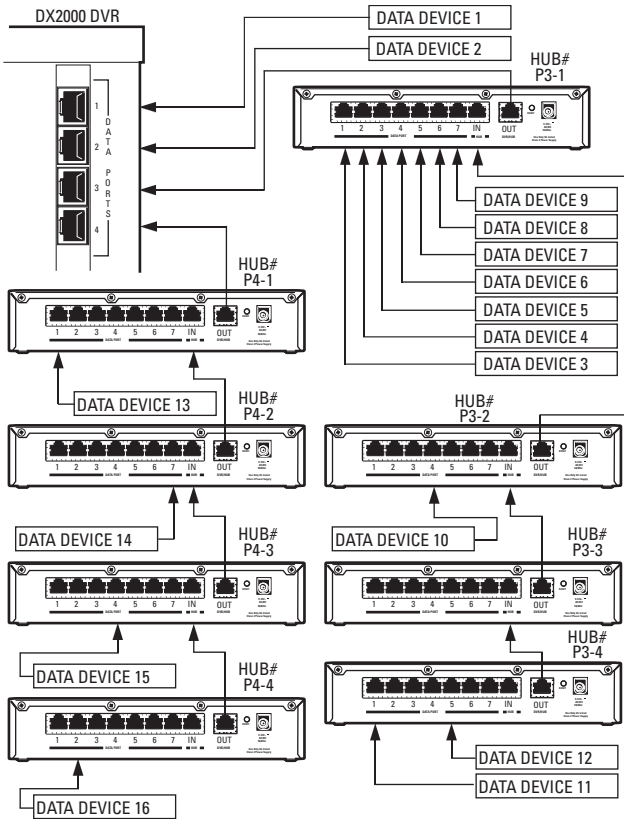


Figure 7. Configuration Using Eight Data Hubs

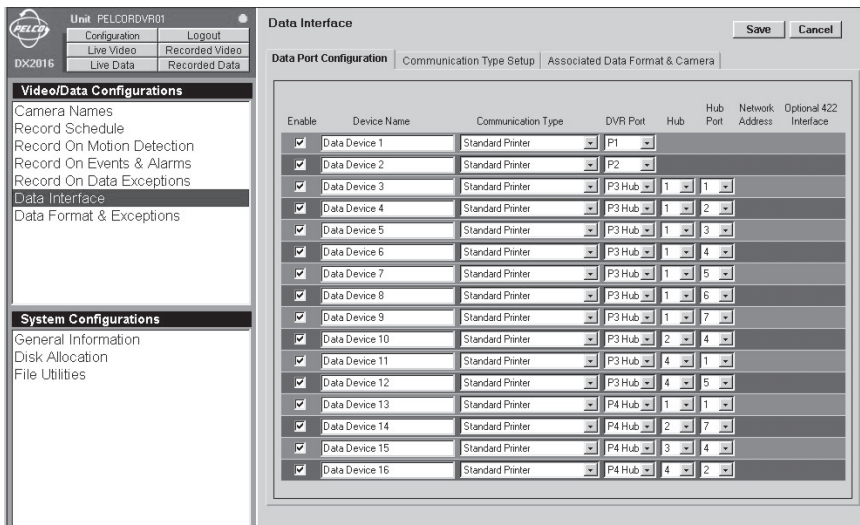


Figure 8. Associated Programming Configuration Using Eight Data Hubs

POWERING UP AND SYSTEM OPERATION STATUS

When you apply power to the data hub or press the reset button, the front panel indicators provide information about the data hub's configuration. The information is flashed on hub data port indicators 1-7 in the following order:

1. All data port indicators light to show a system reset occurred.
2. System revision is displayed through the numbered hub data port indicators that are lit.
3. The indicator for each data port lights to show that port has received the proper configuration from the DX2000 DVR.

During normal operation, the data hub transmits a status message to the DX2000 DVR every three seconds. The HUB/PORT OUT transmit indicator lights during each status message.

The reset button functions like disconnecting the power cord. You can press the button if for some reason you want the unit to restart. Data will not be recorded until the unit completes its self test.

SPECIFICATIONS

ELECTRICAL

Input Power: 9-12V AC/DC, 500 mA, 3.6W
Power Supply: U.S. Standard (115V, 60 Hz)
European Standard (230V, 50 Hz)

MECHANICAL

Input/Output Connectors: RJ-45 standard
Power Connector: 2.3 mm center pin, 6 mm output diameter

GENERAL

Operating Temperature Range: 32°-122° F (0°-50° C)
Dimensions: 8.75 (W) x 4.75 (D) x 2.00 (H) inches (22.23 x 12.07 x 5.08 cm)
Unit Weight: 2 lb (0.9 kg)

CERTIFICATIONS

DX2000DH

- CE, Class B
- UL Listed
- UL Listed to Canadian safety standards
- FCC, Class B

REGULATORY NOTICES

This equipment has been tested and found to comply with the limits of a Class B digital device, pursuant to part 15 of the FCC rules. These limits are designed to provide reasonable protection against harmful interference in a residential installation. This equipment generates, uses, and can radiate radio frequency energy and, if not installed and used in accordance with the instructions, may cause harmful interference to radio communications. However there is no guarantee that the interference will not occur in a particular installation. If this equipment does cause harmful interference to radio or television reception, which can be determined by turning the equipment off and on, the user is encouraged to try and correct the interference by one or more of the following measures:

- Reorient or relocate the receiving antenna.
- Increase the separation between the equipment and the receiver.
- Connect the equipment into an outlet on a circuit different from that to which the receiver is connected.
- Consult the dealer or an experienced radio/TV technician for help.

PRODUCT WARRANTY AND RETURN INFORMATION

WARRANTY

Pelco will repair or replace, without charge, any merchandise proved defective in material or workmanship for a period of one year after the date of shipment.

Exceptions to this warranty are as noted below:

- Five years on the following camera models: CC3701H-2, CC3701H-2X, CC3751H-2, CC3651H-2X, MC3651H-2, and MC3651H-2X.
- Three years on all fixed camera models (including Camclosure® Integrated Camera Systems) and Genex® Series (multiplexers, server, and keyboard).
- Two years on all standard motorized or fixed focal length lenses.
- Two years on Legacy®, CM6700/CM6800/CM8500/CM9500/CM9700 Series Matrix, DF5 and DF8 Series Fixed Dome products.
- Two years on Spectra®, Esprit®, and PS20 Scanners, including when used in continuous motion applications.
- Two years on Esprit® and WW5700 series window wiper (excluding wiper blades).
- Eighteen months on DX Series digital video recorders and NVR300 network video recorders.
- One year (except video heads) on video cassette recorders (VCRs). Video heads will be covered for a period of six months.
- Six months on all pan and tilts, scanners or preset lenses used in continuous motion applications (that is, preset scan, tour and auto scan modes).

Pelco will warrant all replacement parts and repairs for 90 days from the date of Pelco shipment. All goods requiring warranty repair shall be sent freight prepaid to Pelco, Clovis, California. Repairs made necessary by reason of misuse, alteration, normal wear, or accident are not covered under this warranty.

Pelco assumes no risk and shall be subject to no liability for damages or loss resulting from the specific use or application made of the Products. Pelco's liability for any claim, whether based on breach of contract, negligence, infringement of any rights of any party or product liability, relating to the Products shall not exceed the price paid by the Dealer to Pelco for such Products. In no event will Pelco be liable for any special, incidental or consequential damages (including loss of use, loss of profit and claims of third parties) however caused, whether by the negligence of Pelco or otherwise.

The above warranty provides the Dealer with specific legal rights. The Dealer may also have additional rights, which are subject to variation from state to state.

If a warranty repair is required, the Dealer must contact Pelco at (800) 289-9100 or (559) 292-1981 to obtain a Repair Authorization number (RA), and provide the following information:

1. Model and serial number
2. Date of shipment, P.O. number, Sales Order number, or Pelco invoice number
3. Details of the defect or problem

If there is a dispute regarding the warranty of a product which does not fall under the warranty conditions stated above, please include a written explanation with the product when returned.

Method of return shipment shall be the same or equal to the method by which the item was received by Pelco.

RETURNS

In order to expedite parts returned to the factory for repair or credit, please call the factory at (800) 289-9100 or (559) 292-1981 to obtain an authorization number (CA number if returned for credit, and RA number if returned for repair).

All merchandise returned for credit may be subject to a 20% restocking and refurbishing charge.

Goods returned for repair or credit should be clearly identified with the assigned CA or RA number and freight should be prepaid. Ship to the appropriate address below.

If you are located within the continental U.S., Alaska, Hawaii or Puerto Rico, send goods to:

Service Department
Pelco
3500 Pelco Way
Clovis, CA 93612-5699

If you are located outside the continental U.S., Alaska, Hawaii or Puerto Rico and are instructed to return goods to the USA, you may do one of the following:

If the goods are to be sent by a COURIER SERVICE,
send the goods to:

Pelco
3500 Pelco Way
Clovis, CA 93612-5699 USA

If the goods are to be sent by a FREIGHT FORWARDER,
send the goods to:

Pelco c/o Expeditors
473 Eccles Avenue
South San Francisco, CA 94080 USA
Phone: 650-737-1700
Fax: 650-737-0933

© Pelco, the Pelco logo, Spectra, Genex, Legacy, Coaxitron, Esprit and Camclosure are registered trademarks of Pelco.

™ Spectra II and Spectra III are trademarks of Pelco.

© Copyright 2004, Pelco. All rights reserved.

REVISION HISTORY

Manual #	Date	Comments
C698M	6/02	Original version.
C698M-A	6/04	Per CAR 040407, added material to the manual indicating that port 8004 is now the standard web service port for the DX2000. This involves adding :8004 to the end of the IP address.

C698M-A (6/04)

19



World Headquarters
3500 Pelco Way
Clovis, California 93612 USA

USA & Canada
Tel: 800/289-9100
Fax: 800/289-9150

International
Tel: 1-559/292-1981
Fax: 1-559/348-1120

www.pelco.com

ISO9001

Orangeburg, New York | Las Vegas, Nevada | Eindhoven, The Netherlands | Wokingham, United Kingdom | Montreal, Canada

Free Manuals Download Website

<http://myh66.com>

<http://usermanuals.us>

<http://www.somanuals.com>

<http://www.4manuals.cc>

<http://www.manual-lib.com>

<http://www.404manual.com>

<http://www.luxmanual.com>

<http://aubethermostatmanual.com>

Golf course search by state

<http://golfingnear.com>

Email search by domain

<http://emailbydomain.com>

Auto manuals search

<http://auto.somanuals.com>

TV manuals search

<http://tv.somanuals.com>