

SWM Series Spectra® Compact Wall Mount

Installation/Operation Manual C293M (11/98)

1.0 WARNINGS

1. Installation and servicing should only be done by qualified service personnel and conform to all local codes.
2. Installation shall be done in accordance with all local and national electrical and mechanical codes utilizing only approved materials.
3. Use only installation methods and materials capable of supporting four times the maximum specified load.

Please thoroughly familiarize yourself with the information in this manual prior to installation and operation.

2.0 DESCRIPTION

The SWM Series Spectra® Compact Wall Mount is designed to provide indoor and outdoor wall mounting for Pelco's pendant domes in the Spectra® and DF5 series. The mount features cable feedthrough that conceals the electrical wiring to the dome back box. A 1-1/2" NPT pipe thread is provided in the mount to attach the pendant dome. Anti-seize compound is supplied to be applied to the pipe thread. The sun shield used for the outdoor versions of the pendant dome back boxes is readily accepted by the mount.

The mount can be attached to any vertical load-bearing surface or to an SWM-PA Series pole adapter by means of a mounting cleat. A gasket is affixed to the base to protect the interior from moisture.

The mount is constructed of aluminum and has either a light gray or black polyester powder coat finish.

2.1 MODELS

SWM-GY Compact wall mount with cable feedthrough for use with Spectra® SD5 or DF5 Series pendant domes. Gray finish.

SWM-BK Same as SWM-GY, except black finish.

3.0 INSTALLATION

NOTE: The SWM Series wall mount may also be attached to a pole adapter. Refer to the SWM-PA Series manual, C294M, for mounting procedures.

NOTE: An adjustment plate (item 4) is provided to allow the wall mount to be shimmed when the mounting surface is not plumb. Use it as a template for drilling holes in the mounting surface before discarding, if not required for shimming.

NOTE: The mounting cleat has an arrow embossed in it, for orientation purposes, and must point upward.

To install the SWM Series wall mount directly onto a wall, perform the following steps (see Figure 1 and Table A):

1. Determine the location where the mount is to be installed.
2. Using the adjustment plate (supplied) as a template, drill holes into the mounting surface.
3. Bring the electrical cables in from the cable hole in the mounting surface and through the cable holes in the adjustment plate (if required) and mounting cleat. Position the cleat so the elongated mounting fastener hole is below the cable entry hole.
4. Fasten the adjustment plate (if used) and mounting cleat securely to the mounting surface with two fasteners of appropriate length and size (not supplied). If necessary, before tightening the two fasteners, insert shims between the adjustment plate and the mounting surface to achieve a perpendicular surface to attach the wall mount. The lower hole in the mounting cleat is elongated, which allows for vertical alignment adjustment.
5. Feed the electrical cables through the mount, hook the mount onto the top of the mounting cleat, and position the mount flush against the mounting surface. Back out, if necessary, and tighten the set screw in the bottom of the mount only until the mount is snug against the surface. **Do not over-tighten.**
6. Attach the pendant dome back box to the mount:
 - a. Feed the electrical cables from the mount into the dome back box.
 - b. Apply anti-seize compound (supplied) to the dome back box pipe threads.
 - c. Screw the dome back box into the threads in the mount.
 - d. Complete the installation following the instructions in the dome manual.

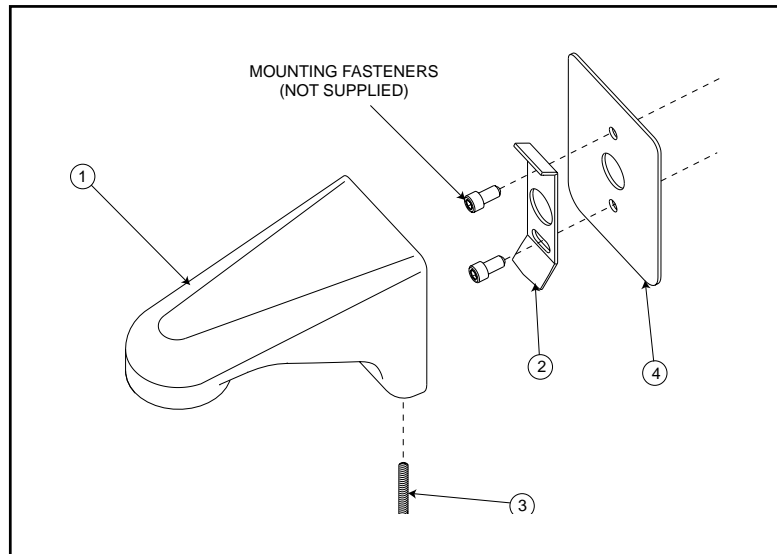


Figure 1. SWM Spectra® Compact Wall Mount Locator Drawing

Table A. SWM Spectra® Compact Wall Mount Key List

Item	Qty	Description
1	1	Wall mount, gray or black
2	1	Mounting cleat
3	1	Set screw, 10-24
4	1	Adjustment plate

4.0 SPECIFICATIONS

MECHANICAL

Construction:	Cast aluminum
Finish	
SWM-GY:	Gray polyester powder coat
SWM-BK:	Black polyester powder coat
Mount Method:	Mount is secured by a set screw to a mounting cleat that is attached to a surface with two fasteners (not supplied). A gasket is affixed to the base to protect the interior from moisture. An adjustment plate is provided to allow the wall mount to be shimmed when the mounting surface is not plumb. The lower hole in the mounting cleat is elongated, which allows for vertical alignment adjustment.
Dome Mounting:	1-1/2" NPT pipe thread in mount tip. Anti-seize compound is supplied to be applied to the pipe threads.
Cable Entry:	One cable feedthrough hole in the mounting cleat. Cable feeds through the mount into the pendant dome.
Maximum Load:	10 lb (4.5 kg)

GENERAL

Environment:	Indoor/outdoor				
Dimensions:	See Figure 2				
Weight:	<table><tr><td><u>Unit</u></td><td><u>Shipping</u></td></tr><tr><td>1.1 lb (0.50 kg)</td><td>2.0 lb (0.91 kg)</td></tr></table>	<u>Unit</u>	<u>Shipping</u>	1.1 lb (0.50 kg)	2.0 lb (0.91 kg)
<u>Unit</u>	<u>Shipping</u>				
1.1 lb (0.50 kg)	2.0 lb (0.91 kg)				

(Design and product specifications subject to change without notice.)

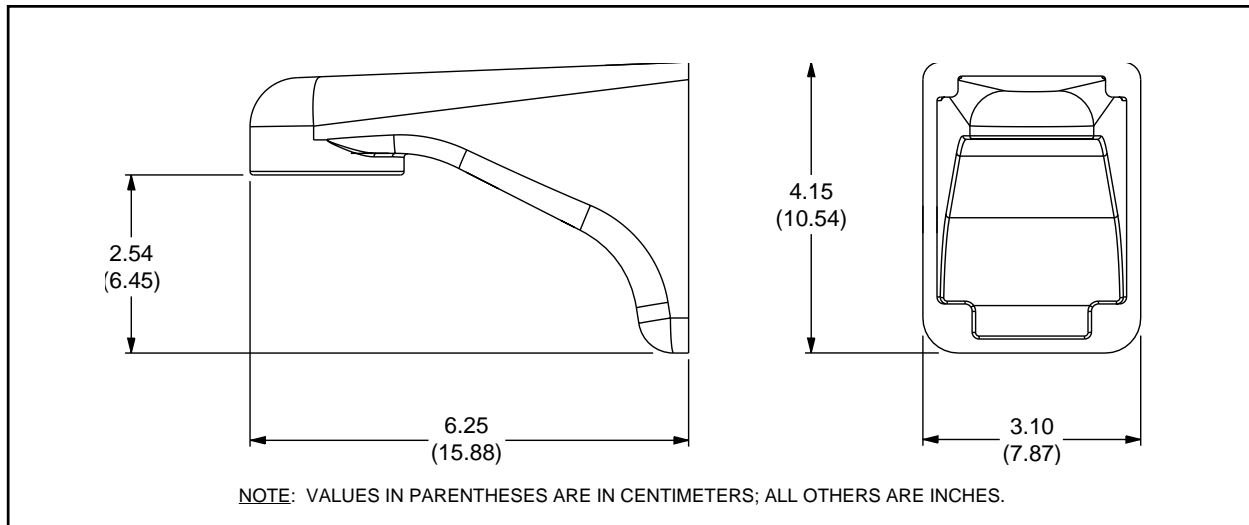


Figure 2. SWM Dimension Drawing

5.0 WARRANTY AND RETURN INFORMATION

WARRANTY

Pelco will repair or replace, without charge, any merchandise proved defective in material or workmanship for a period of one year after the date of shipment.

Exceptions to this warranty are as noted below:

- Five years on FT/FR8000 Series fiber optic products.
- Three years on Genex® Series products (multiplexers, server, and keyboard).
- Three years on Camclosure® and fixed camera models, except the CC3701H-2, CC3701H-2X, CC3751H-2, CC3651H-2X, MC3651H-2, and CC3651H-2X camera models, which have a five-year warranty.
- Two years on standard motorized or fixed focal length lenses.
- Two years on Legacy®, CM6700/CM6800/CM9700 Series matrix, and DF5/DF8 Series fixed dome products.
- Two years on Spectra®, Esprit®, ExSite™, and PS20 Scanners, including when used in continuous motion applications.
- Two years on Esprit® and WW5700 Series window wiper (excluding wiper blades).
- Eighteen months on DX Series digital video recorders, NVR300 Series network video recorders, and Endura™ Series distributed network-based video products. months on DX Series digital video recorders, NVR300 Series network video recorders, Endura™ Series distributed network-based video products, and TW3000 Series twisted pair transmission products.
- One year (except video heads) on video cassette recorders (VCRs). Video heads will be covered for a period of six months.
- Six months on all pan and tilts, scanners or preset lenses used in continuous motion applications (that is, preset scan, tour and auto scan modes).

Pelco will warrant all replacement parts and repairs for 90 days from the date of Pelco shipment. All goods requiring warranty repair shall be sent freight prepaid to Pelco, Clovis, California. Repairs made necessary by reason of misuse, alteration, normal wear, or accident are not covered under this warranty.

Pelco assumes no risk and shall be subject to no liability for damages or loss resulting from the specific use or application made of the Products. Pelco's liability for any claim, whether based on breach of contract, negligence, infringement of any rights of any party or product liability, relating to the Products shall not exceed the price paid by the Dealer to Pelco for such Products. In no event will Pelco be liable for any special, incidental or consequential damages (including loss of use, loss of profit and claims of third parties) however caused, whether by the negligence of Pelco or otherwise.

The above warranty provides the Dealer with specific legal rights. The Dealer may also have additional rights, which are subject to variation from state to state.

If a warranty repair is required, the Dealer must contact Pelco at (800) 289-9100 or (559) 292-1981 to obtain a Repair Authorization number (RA), and provide the following information:

1. Model and serial number
2. Date of shipment, P.O. number, Sales Order number, or Pelco invoice number
3. Details of the defect or problem

If there is a dispute regarding the warranty of a product which does not fall under the warranty conditions stated above, please include a written explanation with the product when returned.

Method of return shipment shall be the same or equal to the method by which the item was received by Pelco.

RETURNS

In order to expedite parts returned to the factory for repair or credit, please call the factory at (800) 289-9100 or (559) 292-1981 to obtain an authorization number (CA number if returned for credit, and RA number if returned for repair).

All merchandise returned for credit may be subject to a 20% restocking and refurbishing charge.

Goods returned for repair or credit should be clearly identified with the assigned CA or RA number and freight should be prepaid. Ship to the appropriate address below.

If you are located within the continental U.S., Alaska, Hawaii or Puerto Rico, send goods to:

Service Department
Pelco
3500 Pelco Way
Clovis, CA 93612-5699

If you are located outside the continental U.S., Alaska, Hawaii or Puerto Rico and are instructed to return goods to the USA, you may do one of the following:

If the goods are to be sent by a COURIER SERVICE, send the goods to:

Pelco
3500 Pelco Way
Clovis, CA 93612-5699 USA

If the goods are to be sent by a FREIGHT FORWARDER, send the goods to:

Pelco c/o Expeditors
473 Eccles Avenue
South San Francisco, CA 94080 USA
Phone: 650-737-1700
Fax: 650-737-0933

® Pelco, the Pelco logo, Spectra, Esprit, Genex, Legacy, and Camclosure are registered trademarks of Pelco.

™ Endura and ExSite are trademarks of Pelco.

© Copyright 1998, Pelco. All rights reserved.

Free Manuals Download Website

<http://myh66.com>

<http://usermanuals.us>

<http://www.somanuals.com>

<http://www.4manuals.cc>

<http://www.manual-lib.com>

<http://www.404manual.com>

<http://www.luxmanual.com>

<http://aubethermostatmanual.com>

Golf course search by state

<http://golfingnear.com>

Email search by domain

<http://emailbydomain.com>

Auto manuals search

<http://auto.somanuals.com>

TV manuals search

<http://tv.somanuals.com>