



3500 Pelco Way,
Clovis, CA 93612-5699
USA

In North America & Canada:
Tel (800) 289-9100
FAX (800) 289-9150

International Customers:
Tel (1-559) 292-1981
FAX (1-559) 348-1120

www.pelco.com

C220M-C (7/99) MR3000/MR3050 Universal Monitor Mount

IMPORTANT SAFEGUARDS AND WARNINGS

Prior to installation and use of this product, the following WARNINGS should be observed.

1. Installation and servicing should only be done by qualified service personnel and conform to all local codes.
2. Installation shall be done in accordance with all local and national electrical and mechanical codes utilizing only approved materials.
3. Use only installation methods and materials capable of supporting four times the maximum specified load.

The product and/or manual may bear the following marks:



This symbol indicates that there are important operating and maintenance instructions in the literature accompanying this unit.

CAUTION:

RISK OF ELECTRIC SHOCK.
DO NOT OPEN.

Please thoroughly familiarize yourself with the information in this manual prior to installation and operation.

DESCRIPTION

The MR3000 and MR3050 are universal monitor mounts engineered to safely mount a monitor from either a ceiling or a wall. They are designed for use in security systems, educational institutions, churches, hospitals, and other applications requiring flexibility in monitor mounting and positioning.

The mounts are adjustable to accommodate various sizes of monitors (refer to the *Specifications* section for dimensions). Two optional adapters are available: the MRWA for wall mounting and the MRCA for ceiling mounting. An 8-inch (20 cm) length of 1-1/2-inch (3.81 cm) NPT pipe is provided with the mount.

Recommended Mounts Adapters

MRWA Wall mount, uses six 5/16-inch diameter fasteners (not supplied).
MRCA Ceiling mount, uses four 5/16-inch diameter fasteners (not supplied).

INSTALLATION

MRCA/MRWA Adapter Mounting

1. Determine the mounting location. Remember to allow for adequate clearance on all sides of the monitor.
2. Use the adapter mount as a template to mark the required mounting holes.
3. Using the necessary fasteners, attach the adapter mount to the chosen surface.

MR3000/MR3050 Installation

1. Determine the width that the base (item 1, Figure 1) must be positioned to accommodate the monitor. Allow room for the side brackets (item 2, Figure 1).
2. Attach the two base support brackets (item 13, Figure 1) to the base.
3. Thread the 8-inch (20 cm) pipe supplied into the ceiling/wall adapter.
4. Thread the collar adapter and attached crossbar (already assembled) onto the end of the 8-inch (20 cm) pipe.
5. Slide the side brackets (item 2, Figure 1) onto the crossbar and thread on the 1/4-20 bolts. Do not tighten bolts yet; you will do so in step 7.
6. Attach the base to the side brackets using the four 3/8-16 bolts supplied. Do not tighten bolts yet; you will do so in step 10.
7. Tighten the 1/4-20 bolts that attach the side brackets to the crossbar (installed in step 5).



CAUTION: The mounting surface must be capable of supporting four times of the weight of the mount and monitor.

8. Attach the monitor to the base. If the monitor has removable rubber feet, remove the screws from the monitor feet and remove the feet. Use the same hardware to attach the monitor to the base.
9. Make any final adjustments in the pan angle of the assembly, then tighten set screws in upper part of collar to lock mount and collar in place.
10. Tilt the monitor to the desired angle and tighten bolts on each side of the side brackets.
11. Make all necessary electrical connections.

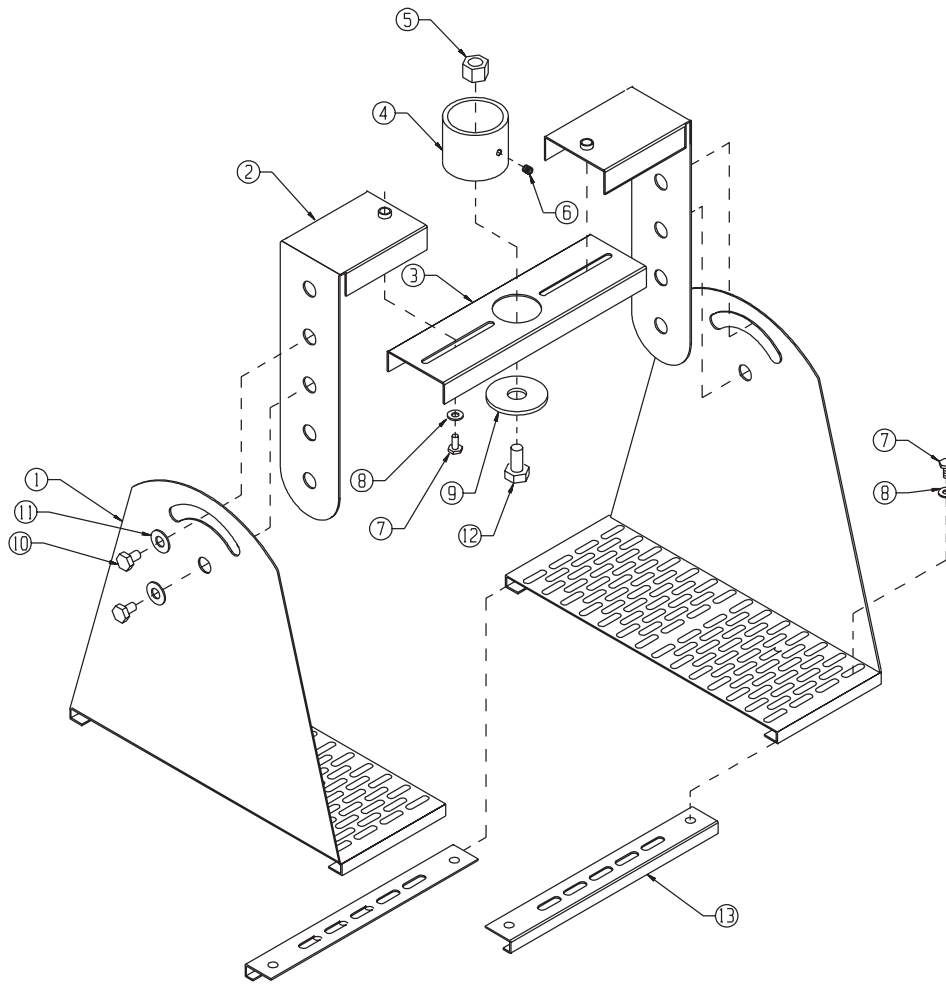
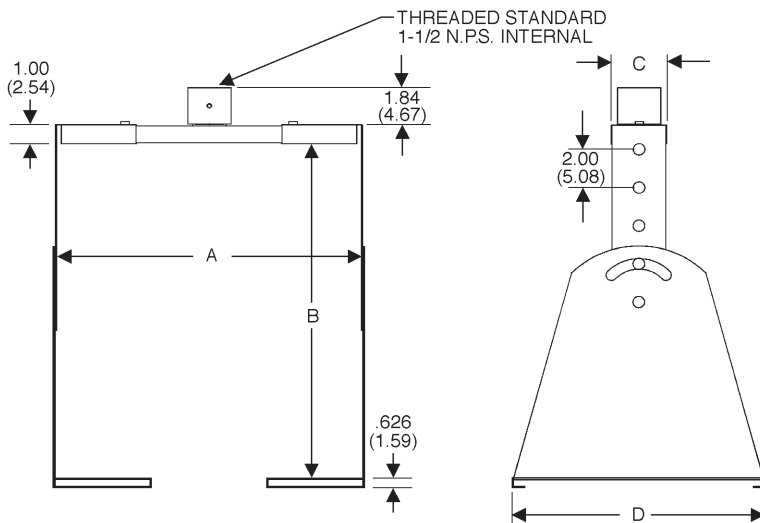


Figure 1. MR3000/MR3050 Exploded Assembly Diagram

Table A. MR3000/MR3050 Exploded Assembly Parts List

Item	Qty.	Description	Part Number
1	2	Base MR3000 MR3050	MR30004000COMP MR30504001COMP
2	2	Adjustable side bracket MR3000 MR3050	MR30004001COMP MR30504003COMP
3	1	Crossbar MR3000 MR3050	MR30004005COMP MR30504000COMP
4	1	Collar adapter	MR30004103COMP
5	1	Lock nut	ZH1/213NUTCHN
6	2	Set screw, 1/4-20 x 1/4-inch	ZH1/420X.250S
7	6	Screw, hex head, 1/4-20 x 1/2-inch	ZH1/4-20X.500CH
8	6	Flat washer	ZH260X562X65C
9	1	Modified fender washer	MR30504104COMP
10	4	Bolt, 3/8-16 x 1/2-inch	ZH3/816X.500SH
11	4	Flat washer	ZH377X880X78
12	1	Bolt, 1/2-13 x 1-inch	ZH1/213X1.00CH
13	2	Base support bracket MR3000 MR3050	MR30004004COMP MR30504002COMP
14	1	Pipe nipple, 8-inch L x 1-1/2-inch NPT (not shown)	MRU4207COMP



	A	B	C	D
MR3000	10.12 (25.70) MIN. 16.25 (41.27) MAX.	11.50 (29.21) MIN. 17.62 (44.75) MAX.	3.00 (7.62)	13.12 (33.32)
MR3050	14.00 (35.56) MIN. 21.00 (53.34) MAX.	15.00 (38.10) MIN. 20.00 (50.80) MAX.	3.00 (7.62)	17.00 (43.18)

NOTE: VALUES IN PARENTHESES ARE CENTIMETERS; ALL OTHERS ARE INCHES.

Figure 2. MR3000/MR3050 Dimension Drawing

SPECIFICATIONS

- Tilt Angle: Adjustable $\pm 45^\circ$
- Maximum Load
 MR3000: 40 lb (18 kg)
 MR3050: 65 lb (29.45 kg)
- Construction: Steel
- Finish: Black polyester powder coat
- Dimensions: See Figure 2
- Unit Weight
 MR3000: 12 lb (5.44 kg)
 MR3050: 20 lb (9.07 kg)

(Design and product specifications subject to change without notice.)

WARRANTY AND RETURN INFORMATION

WARRANTY

Pelco will repair or replace, without charge, any merchandise proved defective in material or workmanship for a period of one year after the date of shipment.

Exceptions to this warranty are as noted below:

- Five years on FT/FR8000 Series fiber optic products.
- Three years on Genex® Series products (multiplexers, server, and keyboard).
- Three years on Camclosure® and fixed camera models, except the CC3701H-2, CC3701H-2X, CC3751H-2, CC3651H-2X, MC3651H-2, and MC3651H-2X camera models, which have a five-year warranty.
- Two years on standard motorized or fixed focal length lenses.
- Two years on Legacy®, CM6700/CM6800/CM9700 Series matrix, and DF5/DF8 Series fixed dome products.
- Two years on Spectra®, Esprit®, ExSite™, and PS20 scanners, including when used in continuous motion applications.
- Two years on Esprit® and WW5700 Series window wiper (excluding wiper blades).
- Eighteen months on DX Series digital video recorders, NVR300 Series network video recorders, and Endura™ Series distributed network-based video products. months on DX Series digital video recorders, NVR300 Series network video recorders, Endura™ Series distributed network-based video products, and TW3000 Series twisted pair transmission products.
- One year (except video heads) on video cassette recorders (VCRs). Video heads will be covered for a period of six months.
- Six months on all pan and tilts, scanners or preset lenses used in continuous motion applications (that is, preset scan, tour and auto scan modes).

Pelco will warrant all replacement parts and repairs for 90 days from the date of Pelco shipment. All goods requiring warranty repair shall be sent freight prepaid to Pelco, Clovis, California. Repairs made necessary by reason of misuse, alteration, normal wear, or accident are not covered under this warranty.

Pelco assumes no risk and shall be subject to no liability for damages or loss resulting from the specific use or application made of the Products. Pelco's liability for any claim, whether based on breach of contract, negligence, infringement of any rights of any party or product liability, relating to the Products shall not exceed the price paid by the Dealer to Pelco for such Products. In no event will Pelco be liable for any special, incidental or consequential damages (including loss of use, loss of profit and claims of third parties) however caused, whether by the negligence of Pelco or otherwise.

The above warranty provides the Dealer with specific legal rights. The Dealer may also have additional rights, which are subject to variation from state to state.

If a warranty repair is required, the Dealer must contact Pelco at (800) 289-9100 or (559) 292-1981 to obtain a Repair Authorization number (RA), and provide the following information:

1. Model and serial number
2. Date of shipment, P.O. number, Sales Order number, or Pelco invoice number
3. Details of the defect or problem

If there is a dispute regarding the warranty of a product which does not fall under the warranty conditions stated above, please include a written explanation with the product when returned.

Method of return shipment shall be the same or equal to the method by which the item was received by Pelco.

RETURNS

In order to expedite parts returned to the factory for repair or credit, please call the factory at (800) 289-9100 or (559) 292-1981 to obtain an authorization number (CA number if returned for credit, and RA number if returned for repair).

All merchandise returned for credit may be subject to a 20% restocking and refurbishing charge.

Goods returned for repair or credit should be clearly identified with the assigned CA or RA number and freight should be prepaid. Ship to the appropriate address below.

If you are located within the continental U.S., Alaska, Hawaii or Puerto Rico, send goods to:

Service Department
 Pelco
 3500 Pelco Way
 Clovis, CA 93612-5699

If you are located outside the continental U.S., Alaska, Hawaii or Puerto Rico and are instructed to return goods to the USA, you may do one of the following:

If the goods are to be sent by a COURIER SERVICE, send the goods to:

Pelco
 3500 Pelco Way
 Clovis, CA 93612-5699 USA

If the goods are to be sent by a FREIGHT FORWARDER, send the goods to:

Pelco c/o Expeditors
 473 Eccles Avenue
 South San Francisco, CA 94080 USA
 Phone: 650-737-1700
 Fax: 650-737-0933

REVISION HISTORY

Manual #	Date	Comments
C220M	5/91	Original version.
C220M	4/93	Rev. A. Revised pages 2-5. New Figures 1 and 2 and Section 3.2 and 5.0 revised.
C220M-B	11/94	Rev. B. Revised to 2-column Format. Incorporated new Figure 1 and revised Sections 2.2 and 4.0 per ECO #94-379.
C220M-C	7/99	Added MR3050 mount. Added <i>Recommended Mount Adapters</i> section. Modified specifications. Updated to new format.

© Pelco, the Pelco logo, Spectra, Esprit, Genex, Legacy, and Camclosure are registered trademarks of Pelco.

™ Endura and ExSite are trademarks of Pelco.

© Copyright 1999, Pelco. All rights reserved.

Free Manuals Download Website

<http://myh66.com>

<http://usermanuals.us>

<http://www.somanuals.com>

<http://www.4manuals.cc>

<http://www.manual-lib.com>

<http://www.404manual.com>

<http://www.luxmanual.com>

<http://aubethermostatmanual.com>

Golf course search by state

<http://golfingnear.com>

Email search by domain

<http://emailbydomain.com>

Auto manuals search

<http://auto.somanuals.com>

TV manuals search

<http://tv.somanuals.com>