



3500 Pelco Way
Clovis, CA 93612-5699
USA

In North America & Canada:
Tel (800) 289-9100
FAX (800) 289-9150
DataFAX (800) 289-9108

International Customers:
Tel +1(559) 292-1981
FAX +1(559) 348-1120
DataFAX +1(559) 292-0435

PelcoEurope BV
Dillenburg Center
Dillenburgstraat 5F
5652 AM Eindhoven
The Netherlands
Tel +31(40) 251-9870
FAX +31(40) 251-9835

Pelco Online
www.pelco.com

NOTE: The length of pipe used may cause noticeable motion on the video display. If this occurs, the pipe will require additional support by bracing, guy wires, etc.



CAUTION: The mount area must be capable of supporting up to 40 pounds (18.12 kg) of weight.

C1463M-A (12/00) PDF8 Series Pendant Fixed Mount Dome

IMPORTANT SAFEGUARDS AND WARNINGS

Prior to installation and use of this product, the following WARNINGS should be observed.

1. Installation and servicing should only be done by qualified service personnel and conform to all local codes.
2. Unless the unit is specifically marked as a NEMA Type 3, 3R, 3S, 4, 4X, 6 or 6P enclosure, it is designed for indoor use only and it must not be installed where exposed to rain and moisture.
3. Only use replacement parts recommended by Pelco.
4. The installation method and materials should be capable of supporting four times the weight of the enclosure, pan/tilt, camera and lens combination.

Please thoroughly familiarize yourself with the information in this manual prior to installation and operation.

DESCRIPTION

PDF8 Series domes are pendant style units designed for indoor use only. The dome can be mounted to a ceiling or wall using a suitable length pipe (threaded at both ends) and a mount/adaptor. All PDF8 Series pendant domes are compatible with Pelco IWM Series Wall Mount, the MRWA Wall Mount, and the MRCA Ceiling Mount.

Models

PDF8-0	Pendant dome with opaque black bubble and smoked viewing slot (1/2 f-stop of light loss)
PDF8-1	Same as the PDF8-0 except bubble is opaque black with a clear viewing slot

INSTALLATION

Mount, Back Box Cap and Back Box Installation

- 1 Refer to the instructions supplied with the IWM, MRWA, or MRCA to install the mount for the PDF8 Series dome. Bring the wiring for the dome through the mount. Refer to Tables A and B for wiring distances.
- 2 Install a threaded pipe with a minimum length of 2.50-inches into the mount. Tighten the pipe to the mount with torque of approximately 30 ft-lb.
- 3 Refer to Figure 1 and install the back box cap and back box. Pull wiring from the mount through the back box cap and into the back box. Slide the back box cap over the pipe and screw the back box onto the threaded pipe. Tighten the back box by lightly applying torque, approximately 20 ft-lb.

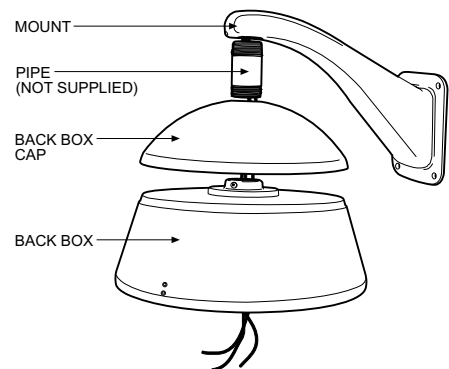


Figure 1. Back Box Cap and Back Box Installation

Camera and Lens Installation

- ❶ Refer to Figure 2 and attach the tilt table assembly to the back box with the supplied black fender washer, lock washer, and wing nut. Tighten the wing nut.
- ❷ Attach the camera and lens to the tilt table with the 1/4-20 screw and washers (supplied). Adjust the tilt table by loosening the bolts on the side of the tilt table assembly. Position the tilt table where desired and tighten the bolts.
- ❸ Do the following to ensure that the lens will not hit the viewing window when installed:
 - a. Extend the lens to the maximum length.
 - b. Place the lower dome over the back box with the camera and lens installed (do not attach dome).
 - c. If the lens touches the lower dome, adjust the tilt table assembly.
- ❹ Refer to the Operation Manual supplied with the camera and lens, for the following information:
 - a. How to connect power and video wiring.
 - b. How to make camera and lens adjustments.

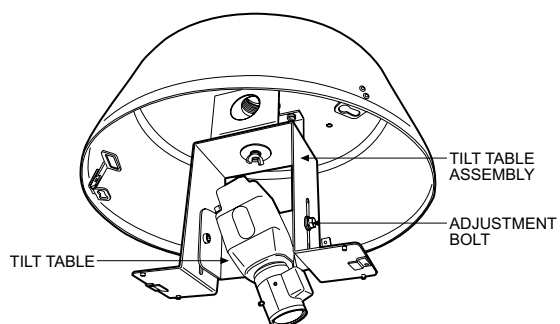


Figure 2. Camera and Lens Installation

Lower Dome Installation

- ❶ Refer to Figure 3 and install the acrylic viewing dome by sliding one side of the dome under the retaining clips on the tilt table assembly. Seat the dome to the edge of the positioning rivets.
- ❷ Turn the dome so that the viewing slot is in front of the camera lens.
- ❸ Refer to Figure 4 and install the bezel on the back box by lining up the pins with the holes located on the edge of the back box. Apply light pressure to the top of the bezel. Turn the bezel clockwise and release pressure.

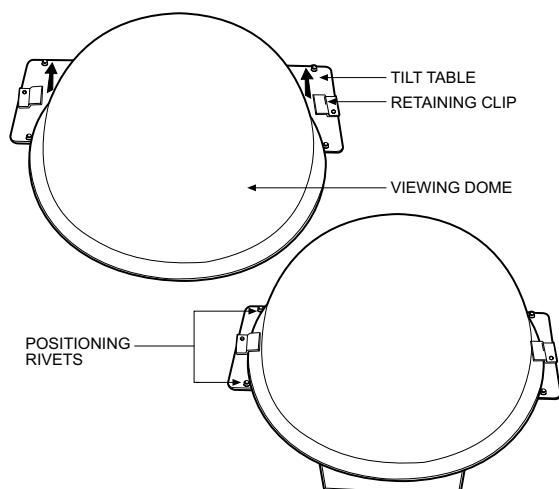


Figure 3. Acrylic Viewing Dome Installation

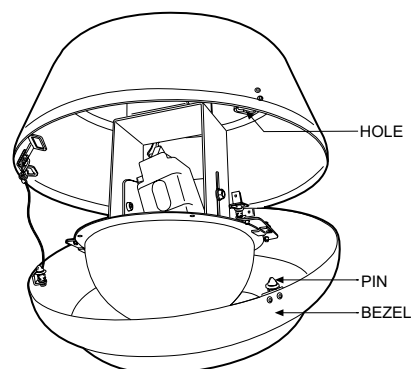


Figure 4. Lower Dome and Bezel Installation

Table A. Video Coaxial Cable Requirements

Cable Type*	Maximum Distance
RG59/U	750 ft (229 m)
RG6/U	1,000 ft (305 m)
RG11/U	1,500 ft (457 m)

* Minimum cable requirements:
 75 ohms impedance
 All-copper center conductor
 All-copper braided shield with 95% braid coverage

Table B. 24 VAC Wiring Distances

The following are the recommended maximum distances for 24 VAC applications and are calculated with a 10-percent voltage drop. (Ten percent is generally the maximum allowable voltage drop for AC-powered devices.)

EXAMPLE: An enclosure that requires 80 vA and is installed 35 feet (10 m) from the transformer would require a minimum wire gauge of 20 AWG.

NOTE: Wire gauges are standard AWG or metric sizes. Distances are calculated in feet; values in parentheses are meters.

Wire Gauge

Total vA	20 (0.5 mm ²)	18 (1.0 mm ²)	16 (1.5 mm ²)	14 (2.5 mm ²)	12 (4.0 mm ²)	10 (6.0 mm ²)
10	283 (86)	451 (137)	716 (218)	1142 (348)	1811 (551)	2880 (877)
20	141 (42)	225 (68)	358 (109)	571 (174)	905 (275)	1440 (438)
30	94 (28)	150 (45)	238 (72)	380 (115)	603 (183)	960 (292)
40	70 (21)	112 (34)	179 (54)	285 (86)	452 (137)	720 (219)
50	56 (17)	90 (27)	143 (43)	228 (69)	362 (110)	576 (175)
60	47 (14)	75 (22)	119 (36)	190 (57)	301 (91)	480 (146)
70	40 (12)	64 (19)	102 (31)	163 (49)	258 (78)	411 (125)
80	35 (10)	56 (17)	89 (27)	142 (43)	226 (68)	360 (109)
90	31 (9)	50 (15)	79 (24)	126 (38)	201 (61)	320 (97)
100	28 (8)	45 (13)	71 (21)	114 (34)	181 (55)	288 (87)
110	25 (7)	41 (12)	65 (19)	103 (31)	164 (49)	261 (79)
120	23 (7)	37 (11)	59 (17)	95 (28)	150 (45)	240 (73)
130	21 (6)	34 (10)	55 (16)	87 (26)	139 (42)	221 (67)
140	20 (6)	32 (9)	51 (15)	81 (24)	129 (39)	205 (62)
150	18 (5)	30 (9)	47 (14)	76 (23)	120 (36)	192 (58)
160	17 (5)	28 (8)	44 (13)	71 (21)	113 (34)	180 (54)
170	16 (4)	26 (7)	42 (12)	67 (20)	106 (32)	169 (51)
180	15 (4)	25 (7)	39 (11)	63 (19)	100 (30)	160 (48)
190	14 (4)	23 (7)	37 (11)	60 (18)	95 (28)	151 (46)
200	14 (4)	22 (6)	35 (10)	57 (17)	90 (27)	144 (43)

Maximum distance from transformer to load

MAINTENANCE

To clean the inside or outside of the plastic viewing dome, use a soft cloth that will not scratch the surface. If you use any liquid cleaner, make sure it is safe for acrylic plastic.

Service Manual

If you need to service your unit, obtain a service manual in one of the following ways:

- Go to Pelco's web site at <ftp://www.pelco.com> and find service manual C1463SM.
- Call Pelco's DataFAX service at 1-800-289-9108 or 1-559-292-0435 and request document 214638.
- Contact Pelco's Literature Department and request service manual C1463SM.

SPECIFICATIONS

GENERAL

Environment: Indoor only
Operating Range: 32° to 120°F (0° to 49°C)
Weight: 8.25 lb (3.74 kg)

MECHANICAL

Construction
Back Box: Aluminum
Cap: Aluminum
Bezel: Aluminum
Viewing Window: Acrylic plastic
Finish: Black polyester powder coat
Cable Entry: Top of dome
Dimensions: See Dimension Drawing
Maximum Camera/
Lens Size (Dimensions include BNC connector)
Horizontal: 7.0 (L) x 4.5 (W) x 3.0 (H) inches (17.78 x 11.43 x 7.62 cm)
15 degrees: 10.0 (L) x 4.5 (W) x 2.0 (H) inches (25.4 x 11.43 x 5.08 cm)
30 degrees: 12.0 (L) x 4.5 (W) x 2.5 (H) inches (30.48 x 11.43 x 6.35 cm)

(Design and specifications are subject to change without notice.)

WARRANTY AND RETURN INFORMATION

WARRANTY

Pelco will repair or replace, without charge, any merchandise proved defective in material or workmanship for a period of one year after the date of shipment. Exceptions to this warranty are as noted below:

- Three years on Genex® Series (multiplexers, server, and keyboard).
- Two years on cameras and all standard motorized or fixed focal length lenses.
- Two years on Legacy®, Camclosure™ Camera Systems, CM6700/CM8500/CM9500/CM9750/CM9760 Matrix, PelcoVision®, DF5 Series and DF8 Fixed Dome products.
- Two years on Spectra® and Esprit™, including when used in continuous motion applications.
- Two years on WWS700 series window wiper (excluding wiper blades).
- Six months on all pan and tilts, scanners or preset lenses used in continuous motion applications (that is, preset scan, tour and auto scan modes).

Pelco will warrant all replacement parts and repairs for 90 days from the date of Pelco shipment. All goods requiring warranty repair shall be sent freight prepaid to Pelco, Clovis, California. Repairs made necessary by reason of misuse, alteration, normal wear, or accident are not covered under this warranty.

Pelco assumes no risk and shall be subject to no liability for damages or loss resulting from the specific use or application made of the Products. Pelco's liability for any claim, whether based on breach of contract, negligence, infringement of any rights of any party or product liability, relating to the Products shall not exceed the price paid by the Dealer to Pelco for such Products. In no event will Pelco be liable for any special, incidental or consequential damages (including loss of use, loss of profit and claims of third parties) however caused, whether by the negligence of Pelco or otherwise.

The above warranty provides the Dealer with specific legal rights. The Dealer may also have additional rights, which are subject to variation from state to state.

If a warranty repair is required, the Dealer must contact Pelco at (800) 289-9100 or (559) 292-1981 to obtain a Repair Authorization number (RA), and provide the following information:

1. Model and serial number
2. Date of shipment, P.O. number, Sales Order number, or Pelco invoice number
3. Details of the defect or problem

If there is a dispute regarding the warranty of a product which does not fall under the warranty conditions stated above, please include a written explanation with the product when returned.

Method of return shipment shall be the same or equal to the method by which the item was received by Pelco.

RETURNS

In order to expedite parts returned to the factory for repair or credit, please call the factory at (800) 289-9100 or (559) 292-1981 to obtain an authorization number (CA number if returned for credit, and RA number if returned for repair). Goods returned for repair or credit should be clearly identified with the assigned CA/RA number and freight should be prepaid. All merchandise returned for credit may be subject to a 20% restocking and refurbishing charge.

Ship freight prepaid to: Pelco
3500 Pelco Way
Clovis, CA 93612-5699

REVISION HISTORY

Manual #	Date	Comments
C1463M	6/97	Original version.
	8/97	Revised available model numbers.
C1463M-A	12/00	Revised installation instructions and illustrations. Updated manual to new format.

Free Manuals Download Website

<http://myh66.com>

<http://usermanuals.us>

<http://www.somanuals.com>

<http://www.4manuals.cc>

<http://www.manual-lib.com>

<http://www.404manual.com>

<http://www.luxmanual.com>

<http://aubethermostatmanual.com>

Golf course search by state

<http://golfingnear.com>

Email search by domain

<http://emailbydomain.com>

Auto manuals search

<http://auto.somanuals.com>

TV manuals search

<http://tv.somanuals.com>