



PSB VisionSound series

Owner's Manual
Manuel d'informations du
propriétaire
Manual del propietario
VS300 / VS400

psb
SPEAKERS

CONTENTS

I.	Warranty Registration	4
II.	Unpacking	4
III.	Speaker Placement	4
	Angular position	
	Proximity to Boundaries	
IV.	Installation	7
	On-Wall Mounting	
	Table Top Mounting	
V.	Connections	10
	Selecting Speaker Wire	
	When Wall Mounted	
	Making the Connections	
VI.	Grilles, Installing & Removing	11
VII.	Setup, Response Adjustment switches	12
VIII.	Protecting Your Investment	12
	Recommended Power	
	Cabinet Care	
	Grilles & Ports	
IX.	In Case of Problems	14
X.	Specifications	15

Notes on environmental protection



At the end of its useful life, this product must not be disposed of with regular household waste but must be returned to a collection point for the recycling of electrical and electronic equipment. The symbol on the product, user's manual and packaging, point this out.

The materials can be reused in accordance with their markings. Through re-use, recycling of raw materials, or other forms of recycling of old products, you are making an important contribution to the protection of our environment.

Your local administrative office can advise you of the responsible waste disposal point.

Congratulations on choosing PSB VisionSound Series speakers. Please take the time to read the instructions in this guide, as they will help you enjoy the full potential of your loudspeakers in any stereo or multichannel home theater application.

I. WARRANTY REGISTRATION

We recommend you take a few moments now to register your warranty, preferably on-line at psbspeakers.com/Warranty.html or via the enclosed warranty card so that we will be able to serve you better in the future.

II. UNPACKING

The packing materials of your PSB speakers are designed to protect them from damage during shipping. Retain the packaging in case the need arises to transport the speakers in the future.

III. SPEAKER PLACEMENT - MAXIMIZING YOUR ENJOYMENT

Proper loudspeaker placement is an essential ingredient to getting the best sound from your high performance stereo, multi-channel audio or home theater system. The goal is to reproduce faithfully the audio soundtrack the movie director or music producer created without calling any attention to the speakers themselves. How and where you place your loudspeakers, and where you sit relative to them will have a significant impact on the quality of the movie or music experience.

These placement effects fall into two broad categories. The first is their location around the listener and how that determines the spatial impression of the created sound field. Secondly the surfaces of the room and the systems proximity to these surfaces (the listeners proximity as well) will have a strong impact on the balance of the system.

We will deal with these in turn.

Angular position

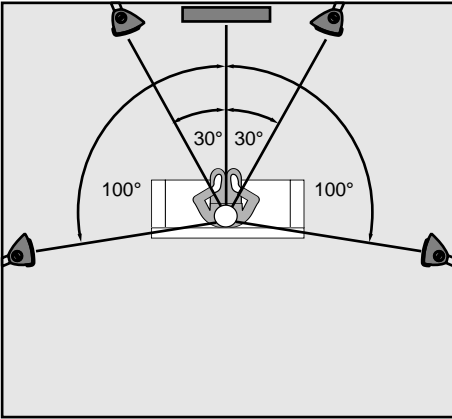
5.1 movie soundtracks and to a lesser degree, stereo soundtracks are mixed with the intention of creating (or transporting you to) a specific sonic environment. This includes both placing sound elements at specific locations around the listener and also with creating the general impression of being in another sound space. This environment is best recreated in your home when the speakers are properly placed at the appropriate angles around your seating area.

It is best to imagine that your listening/viewing area was viewed from overhead and that your speakers will be positioned at different angles on a circle that surrounds the primary listening area. Ideally all speakers and the TV would be placed on this circle and therefore be all equidistant to the listener at the center. In reality the distances can vary by as much as 2 to 1 (farthest vs. nearest) and the sound processor's controls for level setting and time delay (if present) will satisfactorily compensate. More important are the angles of the speakers around this imaginary circle. The center speaker will of course be in the center front just above or below the television set. The left and right speakers should be about 30 degrees left and 30 degree right of center, again referring to the imaginary circle viewed from overhead the listener.

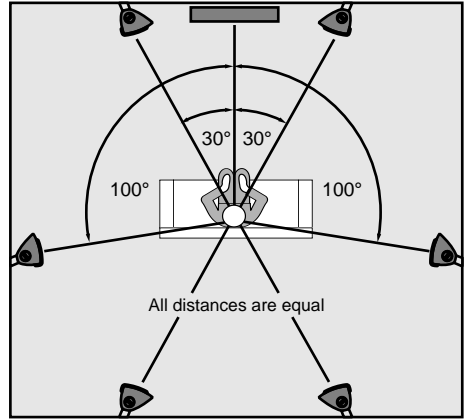
With on-wall speakers used with a flat panel (Plasma or LCD) TV it is common practice to surround the TV with speakers just a few inches separated from the set.

This is seldom optimum. Unless you sit quite close to the TV then the left and right speakers should be spaced farther apart than the width of the TV to get to the 30 degree left and right spacing.

With just 2 surround speakers the best location for the surrounds would be to the side rather than to the back of the listening area. They should be 90 to 100 degrees around the circle from the front (straight to the sides and just a little back of the listeners), although there is a little more leeway in where the surrounds can be placed than with the front loudspeakers.



Ideal speaker placement: 5.1



Ideal speaker placement: 7.1

Other hints:

Ideally, listeners will be equidistant from front right and left and center channel speakers and from rear (or side) left and right surround channels for most accurate spatial imaging. If listeners are too close to front or to rear channel speakers the image cannot come together and blend seamlessly across. With the VS300, while setting the center of the system at ear-level is ideal, the response of the system is usefully wide and some height placement latitude is permissible. The left and right speakers can be mounted at the same wall height as the television. Ideally for comfortable viewing, the television will be seated head height or perhaps between an appropriate seated height and a standing height. Most importantly, a center channel speaker should be located centered on the TV screen - to keep center channel sound coming from the center of the screen. In the case of a wall mounted Television (such as a Plasma TV) the system will usually be mounted just below the set. In the case of floor standing rear projection sets the center can sit on top of the unit, angled slightly downward.

Balance adjustment can compensate for some physical location difference between left and right. Time-delay adjustment within the surround sound processor (if present) can more effectively compensate for path length differences between left and right, or front and rear.

If you sit equally distant from both speakers, angling the speakers inward ("toeing them in") about 10 to 20 degrees usually produces the best convergence of high frequencies where you listen. Toe-in will also improve the consistency of sound from seat to seat.

All VisionSound models are designed to maintain the same tonal balance when different models are mixed in a system. Mixing a VS300, used as a center, with VS400's as left and right is fine. The same model should be used in symmetrical listening locations in a system – front left and front right; rear left and rear right.

Most surround sound (that is sound that comes from the surround speakers, not the front speakers) is meant more to create greater depth and overall ambience than to localize effects as coming from a particular spot. How much you prefer these localized effects vs. overall sonic depth and diffusion is up to your listening preferences. If you are listening to multi-channel music from DVD-Audio or SACD, you may want the maximum localization of instruments. However, for most home theater applications a diffuse sound field might be preferred. You can locate your surround speakers to produce the effects you prefer, whether precisely pinpointed or pleasantly diffused. In general, the farther the distance to the surround speakers from the listener, the more diffuse the surround sound field. Diffusion can also be created via directing the sound away from listeners, for example, your surround speakers can be aimed towards a rear reflective surface for increased diffusion.

Proximity to Boundaries

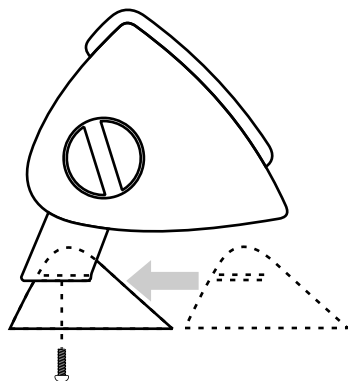
The closer you place speakers to the boundary surfaces of your room, either to the rear or to the sides, the greater the proportion of bass in their overall sound. This is due to the enclosing, “focusing” effects of nearby surfaces on longer-wavelength (lower) frequencies. Positioning the speakers near the intersection of two surfaces (wall and wall, wall and floor, or wall and ceiling) will produce more bass than placement near a single surface. The greatest proportion of bass is delivered by placement near three intersecting surfaces—in a room corner near the floor or ceiling, where the convergence of the two walls and the floor/ceiling produces an amplifying effect that is a bit like that of a megaphone. And the least bass comes from placing a speaker away from all boundaries. Your own tastes should decide what proportion of bass response seems right in your room.

Of course, the VS300 is designed to be mounted on the wall with its included wall mounting bracket. See section VII. Response Adjustment Switches for a discussion of its special feature when wall mounted.

Where you sit in relation to your speakers obviously makes a difference too. The proportions of the particular triangle formed by your front left and front right speakers and you matter. (You may need to send more power to the more distant speaker to compensate if you get much further from one speaker than the other.) The overall distances involved also matter. As you get further from the speakers, more sound reflected from your room's surfaces (in contrast to the sound coming directly from the speakers) reaches your ears, and the original spatial relationships in a recording are changed as your room “takes over.” Sometimes the result is a mellower, more “integrated” sound. Other times, it's a more strident or annoyingly “echoey” – or other – quality. Once again, the particular dimensions and surface materials of your room play a part. And depending on what seems more realistic and/or enjoyable to your ears, you may choose to sit at a great distance or have close-up, “near-field” sound. Keep in mind that the right “toe-in,” the right speaker height, and a reasonably symmetrical distance from the speakers all tend to work together to deliver the best high-frequency definition and imaging.

Changing your own position with respect to a room's boundaries may also bring a big effect, sometimes for a small change. Getting further from the wall behind you may make sound more precise and localized. Getting closer may make sound more "mellow" and integrated. Coming too close – to back wall, side wall, or (especially) a corner – you may experience a major peak or cancellation of a certain band of frequencies. It depends on factors we can't cover fully here but do get into on our web site.

IV. INSTALLATION



Center Channel Feet

The VS300 has a number of ways for mounting, both on wall and table-top. As shipped it will come with its on-wall bracket already attached. The two feet (included) will let you use it as a horizontal center channel either on top of a TV set or on a table in front of a television.

To mount the feet, loosen both knobs and extend the mounting bracket to create some space between the bracket and the VS300. Slot the feet onto the bracket and fasten them with the two small Philips head (cross-head) screws provided. Angle the system as required and snug down the two knobs to hold the system in position.

On-Wall Mounting

When wall mounting the VS300 certain tools and materials may be required as well as a certain expertise. If wires are to be fully hidden within the walls of your house then your best bet is to hire an experienced custom installer. (Look for a local CEDIA certified installer in your area.) If your wires are to remain external to the walls then you can wall mount the system as long as you are handy with a few basic tools and feel confident in the process. One simple approach to hiding the wires is to put them into the walls and let them drop down to the floor level where they can exit the walls through a simple wall plate. This can be achieved with the minimum amount of wire fishing and will get the wires cleanly down to a point where they are much less visible, perhaps fully hidden by an equipment cabinet.

The following tools are useful for on-wall mounting of a VS300:

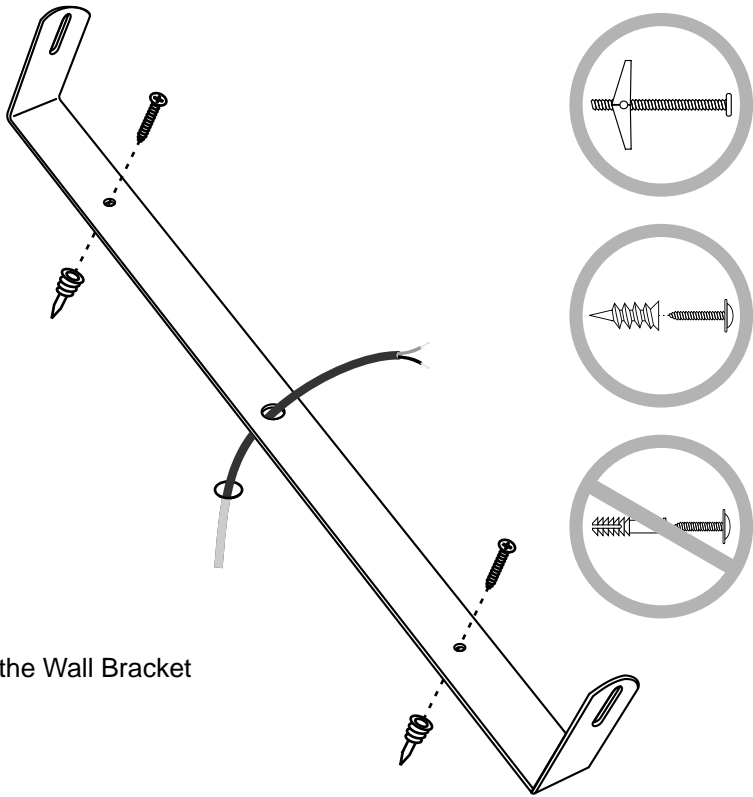
Tape Measure, Pencil, and Level

Philips Screwdriver and Putty Knife

Drill and Bits (smaller for lead holes and larger for cabling)

Each on-wall bracket includes two smaller holes for attachment to the wall and a larger central hole for the wire to enter the wall through. Using the guidelines below, determine the best location for your VS300's. Remove the brackets from each speaker and use them as a guide for the location of the mounting holes. The level will assure that the systems are at right angles to the TV and the horizon. Use a sufficiently strong wall mount. The only kind that we recommend are the metal expanding or "butterfly" style or the newer type were a large plastic screw pre-

threads into the wall and a metal screw screws into the center of it. Do not use the simple straight split plastic inserts. Although commonly used in drywall, these



Mounting the Wall Bracket

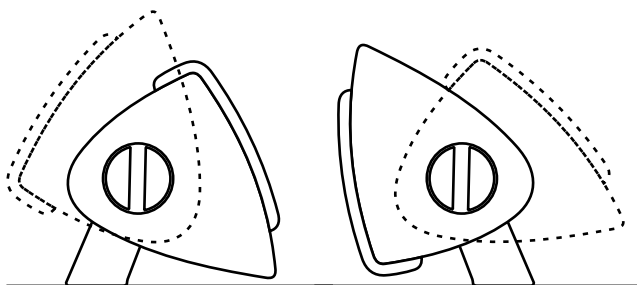
are designed for use into brick and will NOT support the weight of a VS300.

You will see that the wall bracket has an angle between the wall mounting surface and the two support struts. Since the bracket is reversible this allows the system more mounting swing while reducing the required slot in the end caps. The product comes with the right orientation for center channel use (this angle orientation allows the feet to be attached). Note that one orientation gives more swing in one direction, while removing and flipping the bracket gives greater swing in the opposite direction. Between these two orientations the system can be wall mounted at any angle required, it can even be mounted on a side wall and fired at 90 degrees down the wall (as might be required in surround applications or if attached to a ceiling). To flip the bracket loosen both knobs, spin them off and turn the bracket end for end. Insert the bracket back into the end slots, being careful not to scratch the system's finish, and reattach the knobs. You will see a rubber disc under each knob on the internal end

caps. This assures that the system stays put at any angle that you set it. Also note that the mounting bracket ends have slots that allow over an inch of in/out adjustment. This range can be used to tilt the system slightly when on wall and also to adjust the space between the system and the wall. Most likely the installer will hang the system on the wall with the brackets loose, connect the wires and then push the system close to the wall and tighten the knobs.

The question of orientation may arise. That is, when mounted vertically, which side of the system should be inside and which should be outside? Acoustically the response is quite symmetrical so it becomes a matter of visual preference. The system is typically mounted with the exposed cabinet edge to the inside (towards the Plasma set) because when angled inward the system sets nearer the wall.

When the VS300 is wall mounted you may prefer to tilt the speakers towards ear level by loosening the attachment screws slightly and pulling one end or the other forward.

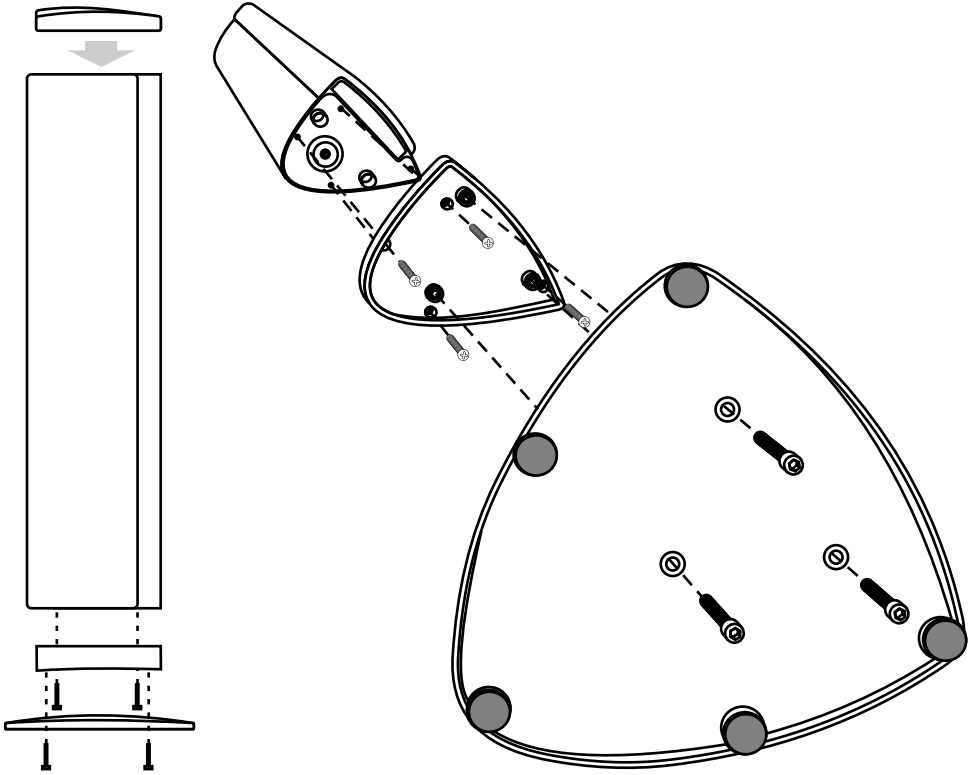


This shouldn't be required for acoustical reasons but can help align the system with a TV that angles slightly downward, for cosmetic reasons. A slot in the wall attachment bracket is long enough for useful angle adjustment.

Table top mounting with the optional VisionSound Base Kit

You may be using the VS300's next to a table top mounted TV. If so it may be preferable to stand them upright on the table rather than to wall mount them. We have provided for this with the optional VisionSound Base Kit. (One pair of bases per kit) Each kit includes two cast aluminum bases, a left and right spacer and replacement (sans knobs) top caps. The bases are nicely weighted and have rubber feet to keep from marring furniture.

To attach them you should first remove the two knobs and the wall bracket. Then both end caps need to come off. Although the end caps are snugly attached a firm grasp and steady pull (wiggle side to side) will remove them. Resist the temptation to pry them off with a screwdriver which would certainly mar the cabinet. Use a Philips screwdriver to remove the 4 screws from one end of either system. Note that you are turning "centers" into "lefts" and "rights" and so you need to remove the screws from one end of one system and the opposite end of the other. Add the appropriate adaptor plate (the plastic piece approximately $\frac{3}{4}$ " thick) and reattach and snug the screws. The flat side of the spacer will attach to the VS300. The curved side is a mate to the aluminum base. The cast base then attaches via 3 hex key type (key included) screws. Finally, attach the new end caps. Note that you won't be re-using the knobs so the new end caps delete the knob hole and also the unused bracket slot around back for a clean appearance.



Attaching the Base Kit

V. CONNECTIONS

Important: Always turn off your electronic equipment before connecting speakers.

Selecting Speaker Wire

We recommend a minimum of 16 gauge speaker wire for normal length runs, and up to 12 gauge for long runs (over 30 feet).

You may wish to audition and compare the performance of some of the specialty audio interconnects and speaker cable available from your dealer.

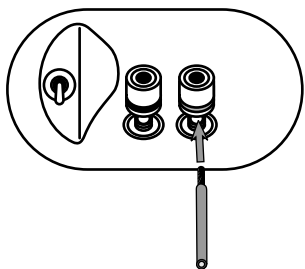
When wall mounted

When wall mounting the VS300 you may wish to hide the speaker wires in the walls. The wall mounting bracket includes a larger central hole near the input terminal cup that allows the wires to enter the wall without being visible from the front. From the wall bracket the wires can run back to a central equipment location or simply run down to a junction box near the floor. Unless you are experienced in house wiring, we recommend you engage the services of a custom installer.

Making the Connections

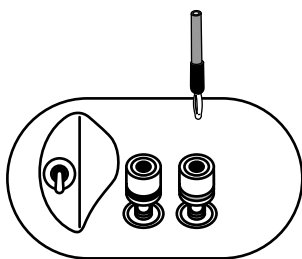
Be sure to connect all of the speakers in your system in an identical manner: Red or (+) amp/receiver terminal to Red (+) speaker terminal, Black (-) to Black (-). This will

ensure that the diaphragms of the speakers on both channels move forward and backward together (“in-phase”), rather than in opposition (“out-of-phase”). In-phase connection provides maximum clarity and bass, while out-of-phase connection results in frequency cancellations and produces thinner and less distinct sound – with less bass, vague vocal quality, and no solid center image. To help ensure the proper connection, the two separate conducting wires in a standard two-conductor speaker cable are coded in one way or another to be distinguishable from each other. (The jacket of one wire may be ribbed or marked with “+” signs, or one wire under the insulation may be a different color from the other.) Use this wire-coding, together with the amp/receiver and speaker color-coding, to be sure you are connecting the same wire of a given pair to a like-coded terminal at both ends of your connection. Assure all wiring terminals are tightened firmly but be careful not to over-tighten and damage the connectors.



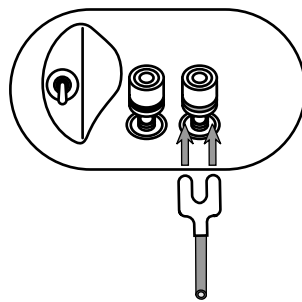
Bare Wire Connection

Loosen knurled nut. Insert wire through hole and tighten nut. Takes wire sizes up to 8 gauge.



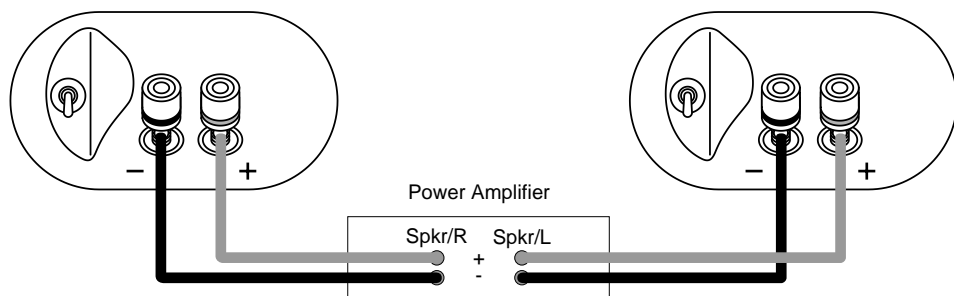
Banana Plug Connection

Insert banana plug into the top of the nut. Ensure the hex nuts are tightened to prevent rattles.



Spade Plug Connection

Loosen nut. A 1/4" (6mm) or 5/16" (8mm) spade will fit on the narrower section of the post. Tighten the nut.



Observe Proper Connection Polarity

VI. GRILLES

Installing and Removing

Grilles for the VS models are magnetically attached. Bring the grille up to the approximate position and it should snap into place. Confirm that all magnetic catches have aligned and that the grille is well seated around its full perimeter.

VII. SETUP

Response Adjustment Switches

We at PSB have spent great effort to make the frequency response of your in-wall system as flat and neutral as possible. This will yield accurate and pleasurable recreation of all manner of input materials: music, voice or movie soundtrack. Still, variations in the listening position, room acoustics and listener preferences can be accommodated using a few well chosen controls.

One of the most unique features of the VS300 is its correction for on-wall mounting. The walls of your room and the proximity of the system to these walls will have an effect on overall bass level as described above. With a bracket mounted on wall VS300 there is also a very specific phenomenon stemming from wall mounting that all on-wall speakers would share. Only the VS300 has a control to give a precise correction of this effect.

An on-wall speaker radiates sound in all directions. The sound traveling forward is the first to arrive at your ears. This "direct arrival" sound is similar to the anechoic chamber response and getting it flat was one of the criteria of designing the VS300. Sound travels backwards as well. That component of the sound will bounce off the wall behind and then carry forward to arrive at your ears about 1 millisecond behind the direct sound. The main impact of this delayed arrival is to put a significant response "hole" in the sound of your system at 500Hz, or dead center in the human voice range. This would disembody or thin out the sound of voices. A very significant amount of extra crossover network is added to the VS300, along with a switch, to compensate for this phenomenon. When the VS300 is wall mounted the switch should be set to the "on wall" position per the graphic on the rear label. DO NOT set the switch to "on wall" for any other mounting conditions such as stand mounting or table top mounting with the optional bases. Even if such mounting puts the system somewhat near to a wall it will degrade the response for any mounting conditions other than the on-wall case.

The VS400 has its own unique response adjustment control. As it is a stand mounted system and will never be mounted in contact with a wall like the VS300, there is no need for on-wall compensation. But we feel that varying room acoustics and personal preference, as well as other system factors, will give rise to a need for subtle response adjustments that balance the bass end vs. the treble end of the audible range.

To deal with this we have given the VS400 a control for "Spectral Tilt". This is a subtle but effective 3 position control that gives the full audio spectrum a gradual uphill slope toward the treble (Spectral Tilt +) or a gradual downhill slope (Spectral Tilt-) as well as a flat or 0 position. Using the bass end as a hinge point the control tilts the response about 2dB in total (+ or-) to give a subtle yet effective means of "brightening" or "darkening" the overall balance. Although the anechoic chamber response would be flat in the Spectral Tilt 0 position, don't be afraid to try the alternate positions on a variety of program material and leave it on the setting that sounds best to you.

Our goal is to provide listeners with completely convincing, "being there" performance. Final judgments on the quality of the sound output are of course personal. We encourage listening to the speakers with clear and familiar recordings

– particularly of female and male voices and acoustic instruments – to convince and satisfy listeners of the natural tonal balance, wide frequency and dynamic range, and spatial imaging delivered.

VIII. PROTECTING YOUR INVESTMENT

Recommended Power

We recommend amplifiers and receivers rated from a range of 25-250 watts. For playing at consistently room-filling volume, a minimum of 100 watts is usually a good idea. Be wary of driving low-powered amplifiers to their limits as under-powering may cause “clipping” which can cause permanent speaker damage. Most people will use the VS300 in a home theater system that includes a subwoofer. This is certainly not mandatory and the VS300 will give a full and satisfying sound without a subwoofer. However, adding a subwoofer and reducing the bass power going to the VS300 will increase its total output capability considerably. In such cases where a subwoofer is used, your audio processor or receiver should be set with the appropriate channels designated as “small”.

- A. For full, year-after-year enjoyment from your speakers, you should respect their limits. Excessive volume levels can damage even the most “bullet-proof” speakers, especially over extended time periods.
- B. When listening to music or movies at very loud volume, you shouldn't turn up bass or treble all the way or close thereto. This sends tremendously increased, disproportionate power into the speakers, and may well damage them. Some loudness compensation (“Loudness”) controls, which boost both bass and treble, can also be troublesome at high volume. They are intended only for low-volume listening.
- C. Finally, you should be aware that when amplifiers and receivers are pushed to their limits to produce excessive volume levels, they are driven into “clipping” and can do severe damage – especially to tweeters. Often, the damage is done by underpowered amplifiers, which may reach their limits very soon. When such units begin to “clip” the audio waveform, they may generate high-frequency “spikes” of tremendous power. More tweeters have probably been destroyed by this phenomenon than any other. If using your speakers at loud levels, listen carefully for any sign of harsh, garbled midrange and diminishing intelligibility – and turn the volume down right away if you detect it.

NEVER TURN UP THE VOLUME ALL THE WAY TO SEE HOW LOUD YOUR SYSTEM WILL PLAY!

Cabinet Care

Cabinets are made of aluminum extrusions and precision molded plastic end caps finished in a durable paint. They should be treated as you would any fine household item with similar finishes. Dust lightly with a soft cloth; avoiding abrasive cloths, sponges or cleaners. If necessary, wipe carefully with a cloth slightly dampened with water or glass cleaner to remove heavy soil.

Grilles and Ports

A lint brush does a good job of cleaning grilles. Grilles can be taken off and vacuumed if you prefer. If need be, you can use a lint brush to clean ports. Avoid touching speaker diaphragms. Particularly, pushing in the aluminum dome of the tweeter will cause permanent damage.

IX. IN CASE OF PROBLEMS

- A. Lower the volume if a speaker begins to sound distorted or seems to be missing certain frequencies, to check first to see whether playing at somewhat lower volume seems to clear up the problem. It can be especially important to turn down the volume right away if you have pushed a low-powered amplifier or receiver past its comfortable limits as discussed in the “Protecting Your Investment” section.
- B. Isolate the problem to the electronics or the speakers and, if the speakers, to specific speakers. Interchange the speaker wire connections on your amplifier or receiver between channels, so that the left speaker is connected to the right channel, or vice versa. If the problem shifts to the other speaker, the problem is not in the speaker but in the electronics.
- C. Another component – or, very often, a cable or connection problem between components – may be at fault. If the problem stays in the same speaker, irrespective of the channel to which it's connected and after changing the connecting wire the speaker itself probably needs service.
- D. See your dealer if you require service. PSB dealers are equipped to handle almost all problems. If you have moved since your purchase, the nearest authorized PSB dealer should be able to help you. You may locate your nearest PSB authorized dealer on-line at www.psbSpeakers.com. If the problem is not resolved, please contact us, providing the Model name, Serial Number, date of purchase, dealer name, and a full description of the problem.

Thank you!

We appreciate your purchase, and hope this owner's guide helps you enjoy the exceptional satisfaction that PSB speaker systems have to offer. We wish you many years of enjoyable listening!

X. Specifications

	VS300	VS400
Frequency Range		
Response		
On Axis @ 0° ±3dB	68-23,000Hz	59-23,000Hz
LF Cutoff -10dB	52Hz	43Hz
Sensitivity		
Anechoic Chamber For 2.83 Volt input	86dB	88dB
Impedance		
Nominal	6 Ohm	6 Ohm
Minimum	4 Ohm	4 Ohm
Input Power		
Recommended	25-100 Watts	25-250 Watts
Acoustic Design		
Tweeter (Nominal)	1" (25mm) Aluminum Dome	1" (25mm) Aluminum Dome
Woofer (Nominal)	2 x 4.5" (114mm) Treated paper cone butyl rubber surround	4 x 4.5" (114mm) Treated paper cone butyl rubber surround
Crossover	2500Hz	2500Hz
EQ Adjustment	On-wall correction	Contour correction
Finish/Construction		
Finish Frame	Titanium or Black	Titanium or Black
Grille	Matching grille cloth, magnetic catches	Matching grille cloth, magnetic catches
Dimensions		
(W x H x D)	6 1/3 x 26 1/3 x 5 1/3" (110 x 670 x 135mm)	6 1/3 x 46 x 5 1/3" (110 x 1170 x 135mm)
Weight		
Net	11 lbs	20 lbs
Shipping	14 lbs	26 lbs

TABLE DES MATIÈRES

I.	Enregistrement de la garantie	18
II.	Déballage	18
III.	Disposition des haut-parleurs	18
	Position angulaire	
	Proximité des limites de la pièce	
IV.	Installation	21
	Installation murale	
	Montage sur une table	
V.	Branchements	25
	Choix des fils de haut-parleurs	
	Pour une installation murale	
	Réalisation des branchements	
VI.	Grilles, Installation et retrait	26
VII.	Réglage, Commutateur de réglage de réponse	26
VIII.	Protection de votre investissement	27
	Puissance recommandée	
	Soins à apporter au boîtier	
	Grilles et bornes	
IX.	En cas de problèmes	29
X.	Caractéristiques techniques	30

Un mot sur la protection de l'environnement



Au terme de sa durée de vie, ce produit ne doit pas être jeté avec les ordures ménagères ordinaires, mais retourné à un point de collecte pour recyclage des composants électriques et électroniques. Le symbole sur le produit, sur le manuel d'installation et sur l'emballage attire l'attention sur ce point.

Les matériaux peuvent être réutilisés en conformité avec leur marquage. A travers la réutilisation et le recyclage des matériaux bruts, ou toutes autres formes de recyclage des produits anciens, vous contribuez de manière importante à protéger notre environnement.

Votre municipalité peut vous indiquer où se trouve le point de collecte le plus proche.

Félicitations d'avoir choisi des haut-parleurs PSB de la série VisionSound. Veuillez prendre le temps de lire les instructions contenues dans le présent guide, car elles vous aideront à tirer le meilleur parti de vos haut-parleurs dans tout système stéréo ou de cinéma à domicile multivoies.

I. ENREGISTREMENT DE LA GARANTIE

Nous vous recommandons à présent de prendre quelques instants pour enregistrer votre garantie, de préférence en ligne à l'adresse psbspeakers.com/Warranty.html ou à l'aide de la carte de garantie jointe afin que nous puissions vous servir au mieux à l'avenir.

II. DÉBALLAGE

Les matériaux d'emballage de vos haut-parleurs PSB sont conçus pour les protéger de tout dommage pendant le transport. Conservez cet emballage au cas où vous devriez transporter les haut-parleurs à l'avenir.

III. DISPOSITION DES HAUT-PARLEURS - POUR VOTRE PLAISIR MAXIMUM

La disposition optimale des haut-parleurs est un élément essentiel pour obtenir le meilleur environnement sonore à partir de votre système stéréo à hautes performances, audio multivoies ou de cinéma à domicile. L'objectif est de reproduire fidèlement la bande sonore produite par le réalisateur cinématographique ou par le compositeur sans attirer l'attention sur les haut-parleurs eux-mêmes. La manière et l'endroit où vous placez vos haut-parleurs, ainsi que l'endroit où vous vous asseyez par rapport à eux auront une influence importante sur la qualité de la sensation cinématographique et musicale.

Ces effets d'emplacement se répartissent dans deux grandes catégories. La première est constituée par l'emplacement des haut-parleurs autour de l'auditeur et comment cela définit l'impression spatiale du champ acoustique ainsi créé. Deuxièmement, les surfaces de la pièce et la proximité du système de ces surfaces (ainsi que la proximité des auditeurs) auront un impact important sur l'équilibre du système.

Nous devons tenir compte tour à tour de cela.

Position angulaire

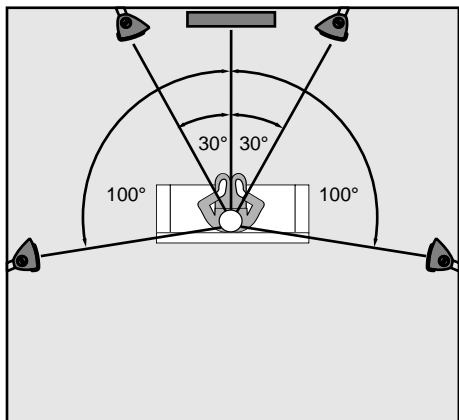
Les bandes originales des films 5.1 et à un degré moindre les bandes originales stéréo, sont mixées avec l'intention de créer (ou de vous transporter dans) un environnement sonore spécifique. Pour cela, il faut à la fois placer les éléments sonores en des endroits spécifiques autour des auditeurs et aussi de créer l'impression générale d'être dans un autre espace sonore. Cet environnement est mieux recréé dans votre séjour lorsque les haut-parleurs sont placés correctement à des angles appropriés autour de votre zone d'écoute.

Il est plus facile d'imaginer que votre zone d'écoute et de visualisation soit vue de dessus et que vos haut-parleurs soient positionnés à des angles différents sur un cercle entourant la zone d'écoute principale. Idéalement, tous les haut-parleurs et le téléviseur doivent être placés sur ce cercle, et par conséquent sont tous équidistants de l'auditeur placé au centre. En réalité, les distances peuvent varier du simple au double (entre le haut-parleur le plus proche et le haut-parleur le plus éloigné) et les commandes de niveau et de temps de propagation (si elles existent)

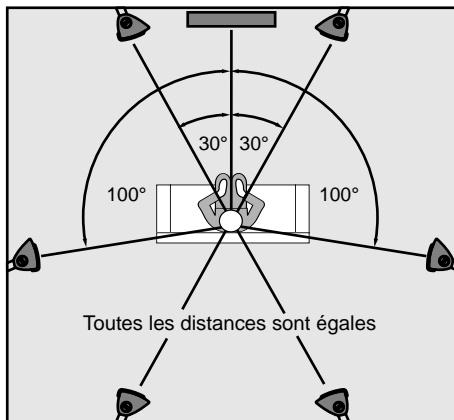
du processeur sonore compenseront ces variations de manière satisfaisante. Plus importants sont les angles des haut-parleurs autour de ce cercle imaginaire. Le haut-parleur central sera bien entendu placé au centre à l'avant juste au-dessus ou en dessous du téléviseur. Les haut-parleurs de gauche et de droite seront placés à environ 30 degrés à gauche et à droite du centre, toujours en se référant au cercle imaginaire vu au-dessus de l'auditeur.

Avec les haut-parleurs muraux utilisés avec les téléviseurs à écran plat (plasma ou ACL), il est de pratique courante de placer ces haut-parleurs à quelques centimètres de part et d'autre du téléviseur. C'est parfois la position optimale. Sauf si vous vous asseyez plutôt prêt du téléviseur, les haut-parleurs de droite et de gauche devront être placés plus loin de part et d'autre du téléviseur pour obtenir les 30 degrés d'espacement à gauche et à droite.

Avec 2 haut-parleurs d'ambiance seulement, le meilleur endroit pour les placer serait sur les côtés plutôt qu'à l'arrière de la zone d'écoute. Ils seraient à 90 - 100 degrés le long du cercle à partir de l'avant (directement sur le côté ou juste un peu à l'arrière des auditeurs), bien qu'il y ait un peu plus de marge de liberté pour placer les haut-parleurs d'ambiance que pour placer les haut-parleurs avant.



Disposition idéale des haut-parleurs : 5,1



Disposition idéale des haut-parleurs : 7,1

Autres conseils :

Idéalement, les auditeurs seront placés à égale distance des haut-parleurs de voies droite et gauche et centrale et des haut-parleurs des voies d'ambiance arrière (ou latérales) droite et gauche pour une restitution plus précise de l'image spatiale. Si les auditeurs sont trop proches des haut-parleurs des voies avant ou arrière, les sons ne peuvent pas parvenir ensemble et se mélangent d'une manière confuse. Avec le VS300, alors que le positionnement du centre du système à la hauteur des oreilles est idéal, la réponse du système est suffisamment large et une certaine latitude de positionnement en hauteur est permise. Les haut-parleurs droit et gauche peuvent être installés à la même hauteur sur le mur que le téléviseur. Idéalement pour une visualisation confortable, le téléviseur sera placé à la hauteur de la tête ou peut-être à une hauteur intermédiaire entre la position assise et debout du téléspectateur. Le plus important, c'est qu'un haut-parleur de voie centrale soit situé au centre de l'écran du téléviseur pour que le son de cette voie centrale semble

émaner du centre de l'écran. Dans le cas d'un téléviseur installé sur un mur (comme les téléviseurs plasma), le haut-parleur central sera installé habituellement juste en dessous du téléviseur. Dans le cas des vidéo projecteurs, le haut-parleur central peut être installé au-dessus de l'image et légèrement incliné vers le bas.

Le réglage d'équilibrage peut compenser une certaine différence de positionnement physique entre les voies droite et gauche. Le réglage de temps de propagation incorporé au processeur d'ambiance sonore (s'il existe) peut compenser plus efficacement les différences de longueur de trajet entre les voies gauche et droite, ou avant et arrière.

Si vous vous asseyez à égale distance de tous les haut-parleurs, les incliner vers l'intérieur d'environ 10 à 20 degrés produit habituellement une meilleure convergence des hautes fréquences à l'écoute. Cette inclinaison améliorera aussi la cohérence du son d'un siège à l'autre.

Tous les modèles VisionSound sont conçus pour conserver le même équilibre tonal lorsque différents modèles sont mélangés dans un système. Mélanger un VS300, utilisé comme haut-parleur central, avec des VS400 comme haut-parleurs gauche et droit constitue une solution parfaite. Les mêmes modèles doivent seulement être utilisés d'une manière symétrique dans un système - avant gauche et avant droit ; arrière gauche et arrière droit.

La plupart des sons d'ambiance (c'est-à-dire les sons provenant des haut-parleurs d'ambiance, et non ceux provenant des haut-parleurs avant) sont plus destinés à créer une plus grande profondeur et une ambiance globale qu'à localiser des effets provenant d'un point particulier. Vous pouvez préférer plus ou moins ces effets localisés par rapport à la profondeur et à la diffusion sonore globale. Si vous écoutez de la musique multivoies issue d'un DVD-Audio ou d'un SACD, vous pouvez souhaiter localiser au maximum les instruments. En revanche, pour des applications de cinéma à domicile, un champ sonore diffus peut être préférable. Vous pouvez placer vos haut-parleurs d'ambiance afin qu'ils produisent les effets que vous préférez, que ce soit une localisation précise ou une diffusion agréable. En général, plus la distance séparant les haut-parleurs d'ambiance des auditeurs est grande, plus le champ sonore d'ambiance est diffus. La diffusion peut aussi être créée en dirigeant le son loin des auditeurs. Par exemple, vos haut-parleurs d'ambiance peuvent être dirigés vers une surface réfléchissante arrière pour augmenter la diffusion.

Proximité des limites de la pièce

Plus vous rapprochez les haut-parleurs des surfaces limites de votre pièce, que ce soit à l'arrière ou sur les côtés, plus la proportion de graves sera importante dans le champ sonore global. Cela est dû aux effets de « renforcement » des surfaces proches sur les fréquences (basses) de grandes longueurs d'onde. Le positionnement des haut-parleurs près de l'intersection de deux surfaces (mur et mur, mur et sol ou mur et plafond) produira plus de graves qu'un positionnement près d'une seule surface. La plus grande proportion de graves est produite en plaçant les haut-parleurs près de l'intersection de trois surfaces - dans un coin de la pièce près du sol ou du plafond, où la convergence de deux murs et du sol ou du plafond produit un effet d'amplification un peu semblable à celui d'un mégaphone. Et le moins de graves seront produites en plaçant le haut-parleur loin de toutes les

limites de la pièce. Vos propres goûts détermineront quelle proportion de réponse aux graves est correcte dans votre pièce.

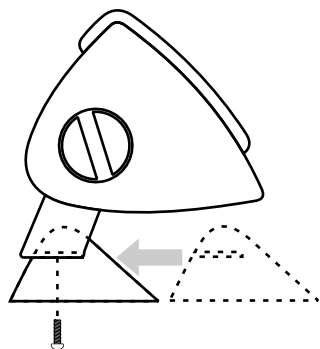
Bien entendu, le VS300 est conçu pour être installé sur le mur avec sa bride de montage incluse. Voir la section VII. Commutateurs de réglage de réponse pour la description de cette fonctionnalité spéciale lors de l'installation sur un mur.

L'endroit où vous êtes assis par rapport à vos haut-parleurs fait aussi évidemment toute la différence. Les dimensions du triangle formé par vos haut-parleurs gauche et droit et vous-même importent beaucoup. (Vous pouvez devoir envoyer plus de puissance au haut-parleur le plus éloigné pour compenser cet éloignement si vous vous situez plus loin d'un haut-parleur que de l'autre.) Les distances totales impliquées importent aussi beaucoup. Plus vous vous éloignez des haut-parleurs, plus le son réfléchi par les surfaces de votre pièce (par rapport au son émanant directement des haut-parleurs) atteint vos oreilles, et la relation spatiale d'origine d'un enregistrement s'en trouve modifiée lorsque votre pièce « prend le dessus. » Parfois le résultat est un son plus mélodieux, plus « intégré ». D'autres fois, c'est un son plus strident ou entaché d'un écho agaçant - ou dans d'autres cas - une plus grande qualité. Une fois encore, les dimensions particulières et les matériaux constituant les surfaces de votre pièce jouent un rôle. Et selon ce qui vous semble plus réaliste et/ou plus agréable à vos oreilles, vous pouvez choisir de vous asseoir à une distance plus grande ou au contraire d'avoir un champ sonore plus proche. Gardez à l'esprit que la bonne inclinaison, la bonne hauteur et une distance raisonnablement symétrique des haut-parleurs contribuent toutes à restituer la meilleure définition des fréquences hautes et la meilleure image sonore.

Le changement de votre propre position par rapport aux limites de la pièce peut aussi avoir un effet important, parfois pour un petit changement. Aller plus loin du mur derrière vous peut rendre le son plus précis et plus localisé. Au contraire, aller plus près peut le rendre plus « mélodieux » et intégré. En allant trop près - d'un mur à l'arrière, latéral ou (en particulier) dans un coin - vous pouvez rencontrer un renforcement ou un affaiblissement important d'une certaine bande de fréquences. Cela dépend de facteurs que nous ne pouvons décrire ici dans leur intégralité mais que vous retrouverez en consultant notre site web.

IV. INSTALLATION

Le VS300 comporte un certain nombre de moyens d'installation, à la fois sur un mur et sur une table. Il est livré avec sa bride de installation murale déjà fixée. Les deux pieds (inclus) vous permettront de l'utiliser comme voie centrale horizontale sur le haut d'un téléviseur ou sur une table devant ce même téléviseur.



Pied de la voie centrale

Pour installer les pieds, desserrez les deux boutons et étendez la bride d'installation pour obtenir un certain espace entre celle-ci et le VS300. Insérez les pieds sur la bride et fixez-les avec les deux petites vis à tête Philips (cruciforme) fournies. Inclinez le système selon les besoins et réajustez les deux boutons pour maintenir le

système en position.

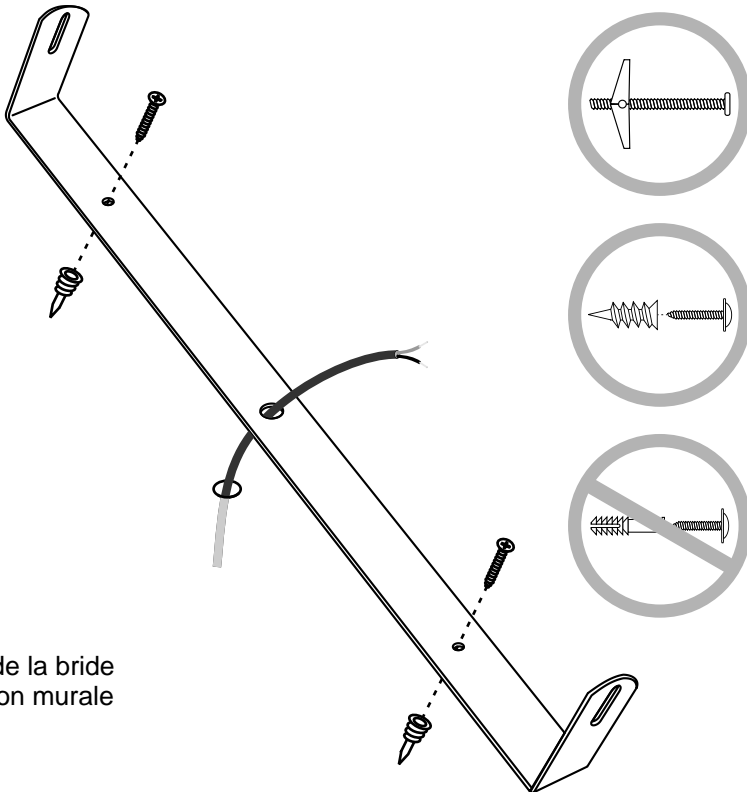
Installation murale

Lors de l'installation murale du VS300, certains outils et matériaux peuvent être nécessaires ainsi qu'une certaine expérience. Si les fils doivent être totalement cachés dans les murs de votre maison, le meilleur moyen est de vous adresser à un installateur professionnel qualifié. (Recherchez un installateur expérimenté dans votre région.) Si les fils doivent rester apparents sur les murs, vous pouvez installer le système vous-même sur les murs pour autant que vous sachiez vous servir de quelques outils de base et que vous soyez sûr de pouvoir le faire. Un moyen simple pour cacher les fils est de les encastrer dans les murs et de les laisser retomber au niveau du sol là où ils peuvent sortir du mur à l'aide d'une simple plaque murale. Cela peut être obtenu avec un minimum de fils qui pendent et permettra de ressortir les fils proprement là où ils sont le moins visibles, et peut-être complètement cachés derrière une armoire.

Les outils suivants sont nécessaires pour installer un VS300 sur un mur :

Mètre ruban, crayon et niveau à bulle

Tournevis Philips et couteau à mastic



Montage de la bride
d'installation murale

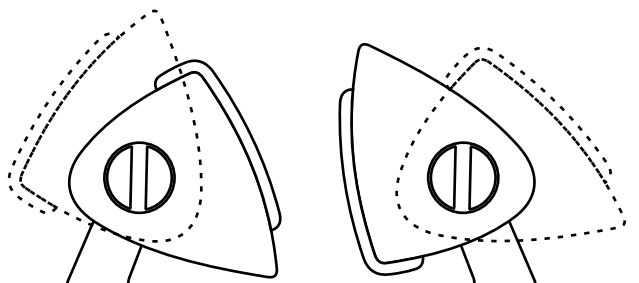
Perceuse et forets (petit diamètre pour les trous de fixation et plus gros diamètre pour le câblage)

Chaque bride murale comporte deux petits trous pour fixation au mur et un trou central de plus grand diamètre pour le passage des fils dans le mur. À l'aide des directives ci-dessus, déterminez le meilleur emplacement pour vos VS300. Retirez les brides de chaque haut-parleur et utilisez-les comme guide pour positionner les trous de fixation. Le niveau à bulle permettra de vérifier l'équerrage des systèmes avec le téléviseur et l'horizontalité. Utilisez des chevilles murales suffisamment fortes. Les seules catégories que nous recommandons sont celles à déploiement métallique ou de type « papillon » ou le nouveau type avec un gros pré-filetage en plastique qui s'insère dans le mur et une vis métallique qui se visse en son centre. N'utilisez pas les simples chevilles droites en plastique. Bien que couramment utilisées dans les murs en plâtre, elles sont conçues pour être utilisées dans la brique et ne supporteront PAS le poids d'un VS300.

Vous pouvez voir que la bride murale fait un angle entre la surface de fixation murale et les deux supports. Puisque la bride est réversible, cela permet au système de disposer de plus de marge de fixation toute en réduisant la dimension de la fente requise au niveau des embouts. Le produit est livré avec la bonne orientation pour une utilisation en voie centrale (cette orientation angulaire permet de fixer les pieds). Notez qu'une orientation donne plus de course dans une direction, alors qu'en retirant et en retournant la bride, on obtient une course plus grande dans la direction opposée. Entre ces deux orientations, le système peut être fixé au mur avec tout angle requis. Il peut même être fixé sur un mur latéral et pointé à 90 degrés par rapport au mur (comme cela serait le cas pour un haut-parleur d'ambiance ou s'il était fixé au plafond). Pour retourner la bride, desserrez les deux boutons, extrayez-les et retournez la bride extrémité pour extrémité. Réinsérez la bride dans les fentes extrêmes, en prenant garde de ne pas rayer la finition du système, et refixez les boutons. Vous observerez un disque en caoutchouc sous chaque bouton sur les embouts internes. Cela permet d'assurer que le système restera orienté dans la position que vous aurez réglée. Notez également que les extrémités de la bride d'installation comportent des fentes permettant un réglage sur 2,5 cm environ. Cette plage de réglage peut servir à incliner légèrement le système lorsqu'il est fixé au mur et aussi à régler l'espace entre le système et le mur. Comme il est probable que vous suspendrez le système au mur avec la bride desserrée, branchez les fils, puis repoussez le système près du mur et serrez les boutons.

La question du sens peut se poser. C'est-à-dire, lorsque le système est fixé verticalement, quel est son côté qui doit être vers l'intérieur et lequel doit être vers l'extérieur? Acoustiquement le résultat est tout à fait symétrique de sorte que cela

devient une question de préférence visuelle. Le système est monté typiquement avec le bord du boîtier visible vers l'intérieur (vers le téléviseur) car que lorsqu'il est orienté vers l'intérieur, le système se



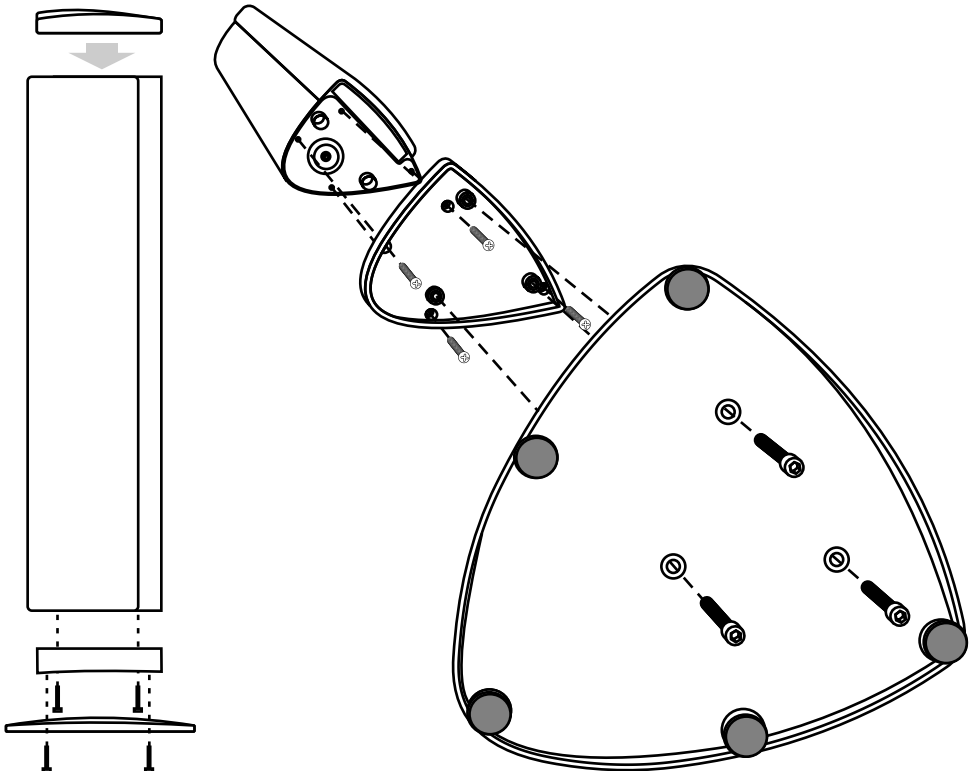
place plus près du mur.

Lorsque le VS300 est installé sur un mur, vous pouvez souhaiter incliner le haut-parleur vers le niveau des oreilles en desserrant légèrement les vis de fixation et en tirant l'une ou l'autre des extrémités vers l'avant. Cela ne doit pas être nécessaire acoustiquement parlant mais peut aider à aligner le système avec un téléviseur légèrement incliné vers le bas pour des raisons esthétiques. Une fente dans la bride de fixation murale est suffisamment longue pour permettre ce réglage d'inclinaison.

Montage sur une table avec le kit de socles VisionSound en option

Vous pouvez utiliser les VS300 sur une tablette au-dessus du téléviseur. Si c'est le cas, il peut être préférable de les installer verticalement sur la tablette plutôt que de les installer au mur. Nous avons prévu pour cela le kit de socles VisionSound en option. (Une paire de socles par kit.) Chaque kit contient deux socles en fonderie d'aluminium, une entretoise droite et gauche et des embouts de remplacement (sans bouton). Les socles ont un poids soigneusement étudié et comportent des pieds en caoutchouc afin de ne pas laisser de marques sur le mobilier.

Pour les fixer, vous devez d'abord retirer les deux boutons et la bride murale. Ensuite les deux embouts doivent être extraits. Bien que les embouts soient bien ajustés, une forte prise et une traction franche (en tirant d'un côté et de l'autre) les extraient. Résistez à la tentation de les extraire avec un tournevis qui laisserait



Fixation du kit de socle

certainement des marques sur le boîtier. Utilisez un tournevis Philips pour retirer les 4 vis de l'une des extrémités du système. Notez que vous allez transformer des haut-parleurs «centraux» en des haut-parleurs « gauches » et « droits » et donc vous devrez retirer les vis de l'une des extrémités d'un système et de l'extrémité opposée sur l'autre. Ajoutez l'entretoise d'adaptation appropriée (la pièce en plastique d'environ 1,9 cm d'épaisseur) et remontez et serrez les vis. Le côté plat de l'entretoise se fixera au VS300. Le côté incurvé s'adapte au socle en aluminium. Ce socle se fixe alors à l'aide de 3 vis à tête hexagonale (clé fournie). Enfin, fixez les nouveaux embouts. Notez que vous ne réutiliserez pas les boutons, aussi les nouveaux embouts suppriment le trou des boutons et également la fente de la bride à l'arrière pour parfaire l'apparence.

V. BRANCHEMENTS

Important : éteignez toujours votre matériel électronique avant de brancher les haut-parleurs.

Choix des fils de haut-parleurs

Nous recommandons de choisir des fils de haut-parleur ayant une section minimale de 1,3 mm² pour des longueurs inférieures à 10 mètres, et jusqu'à 3,1 mm² pour des longueurs supérieures à 10 mètres.

Vous pouvez souhaiter écouter et comparer les performances de certains câbles d'interconnexion audio et de haut-parleurs spécialement conçus pour cela et disponibles auprès de votre revendeur.

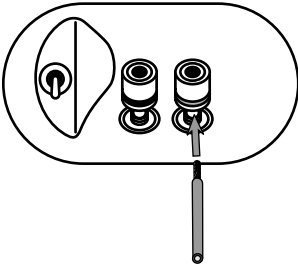
Pour une installation murale

Lors de l'installation murale du VS300, vous pouvez souhaiter cacher les fils du haut-parleur dans les murs. La bride d'installation murale comporte un large trou central près de l'intrusion des bornes d'entrée qui permet aux fils d'entrer dans le mur sans être visibles depuis l'avant. Depuis la bride murale, les fils peuvent courir jusqu'à l'endroit d'un équipement central ou simplement jusqu'à un boîtier de raccordement près du sol. Sauf si vous avez de l'expérience dans le câblage domestique, nous vous recommandons de faire appel aux services d'un installateur qualifié.

Réalisation des branchements

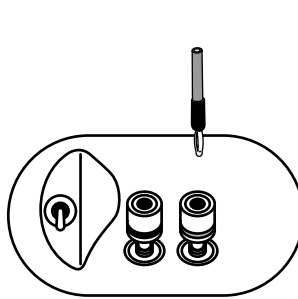
Assurez-vous de brancher tous les haut-parleurs de votre système de manière identique : la borne rouge ou (+) de l'amplificateur/récepteur à la borne rouge (+) des haut-parleurs, la borne noire (-) à la borne noire (-). Ainsi les diaphragmes des haut-parleurs de toutes les voies se déplaceront vers l'avant ou vers l'arrière ensemble dans le même sens (« en phase »), plutôt qu'en opposition (« déphasage »). Le branchement en phase procure le maximum de clarté et de graves, alors que le branchement en opposition de phase se traduit par des annulations de fréquences et produit un son plus grêle et moins distinct - avec moins de graves, une qualité vocale quelconque et sans image sonore centrale cohérente. Pour vous aider à réaliser des branchements corrects, les deux fils conducteurs d'un câble standard à deux conducteurs sont codés d'une manière ou d'une autre afin qu'ils puissent être distingués l'un de l'autre. (La gaine de l'un des fils peut être gravée ou marquée par des signes « + », ou un fil sous la gaine extérieure peut avoir une couleur différente de l'autre.) Utilisez ce codage des fils, conjointement au codage par couleurs des

bornes de votre amplificateur/récepteur et de vos haut-parleurs, pour vous assurer que vous êtes en train de brancher le même fil d'une paire donnée à une borne codée identiquement aux deux extrémités de votre branchement. Assurez-vous que toutes les bornes de câblage sont serrées fermement mais prenez garde à ne pas les serrer excessivement afin de ne pas endommager les connecteurs.



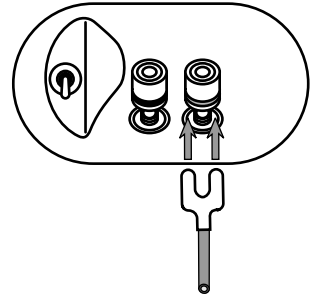
Branchement de fil nu

Desserrez l'écrou. Insérez le fil dans le trou et serrez l'écrou. Utilisez du fil jusqu'à 4 mm² de section.



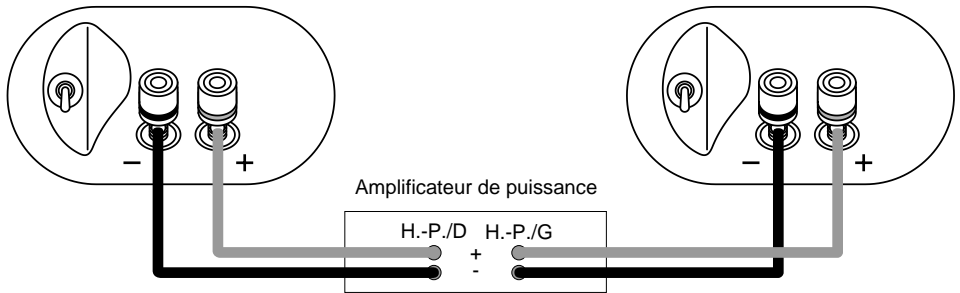
Branchement de fiches bananes

Insérez la fiche banane dans le haut de l'écrou. Assurez-vous que les écrous hexagonaux sont serrés pour éviter tous crépitements.



Branchement de cosses à fourche

Desserrez l'écrou. Une cosse à fourche de 6 mm (1/4 po) ou de 8 mm (5/16 po) s'adaptera sur la section la plus étroite de la borne. Serrez l'écrou.



Respectez la polarité correcte des branchements.

VI. GRILLES

Installation et retrait

Les grilles des modèles VS sont fixées magnétiquement. Placez la grille droite dans sa position approximative, et elle doit se fixer toute seule. Vérifiez que toutes les fixations magnétiques sont bien alignées et que la grille est bien positionnée sur toute sa périphérie.

VII. RÉGLAGE

Commutateurs de réglage de réponse

PSB a déployé de gros efforts pour rendre la réponse en fréquence de votre système mural aussi plate et neutre que possible. Cela procure une restitution précise et agréable de tous les genres de signaux d'entrée : musique, voix ou bande

originale de film. Toutefois, il est possible de compenser les changements de position d'écoute, de l'acoustique de la pièce et des préférences des auditeurs à l'aide de quelques réglages bien choisis.

Une des caractéristiques les plus exceptionnelles du VS300 est sa correction pour installation murale. Comme on l'a expliqué précédemment, les murs de votre pièce et la proximité du système de ces murs auront un effet sur le rendu global des graves. Avec un VS300 installé sur un mur avec sa bride, il y a aussi un phénomène très spécifique à l'installation murale que tous les haut-parleurs muraux doivent partager. Seul le VS300 possède un réglage capable d'apporter une correction précise de cet effet.

Un haut-parleur mural émet des sons dans toutes les directions. Le son voyageant directement est le premier à arriver à vos oreilles. Ce son « direct » est semblable à celui de la réponse d'une chambre sourde et rendre cette réponse plate a été l'un des critères de conception du VS300. Le son voyage également vers l'arrière. Cette composante du son rebondit sur le mur placé derrière et revient ensuite vers l'avant pour arriver à vos oreilles environ 1 milliseconde après le son direct. L'effet principal de ce son retardé est de placer un « trou » dans la réponse acoustique de votre système à 500 Hz, ou un centre mort dans la plage de la voix humaine. Cela doit désincarner ou affaiblir le son des voix. Une quantité significative du signal issu du réseau de recouvrement est ajoutée sur le VS300, à l'aide d'un commutateur, pour compenser ce phénomène. Lorsque le VS300 est installé sur un mur, le commutateur doit être sur la position « on wall » (sur mur) selon le graphique de l'étiquette située à l'arrière. NE placez PAS le commutateur sur la position « on wall » pour toutes autres conditions d'installation telles qu'une installation autonome ou sur une table à l'aide des socles en option. Même si une telle installation place le système non loin d'un mur, cette position dégradera la réponse pour toutes conditions d'installation autres que sur un mur.

Le VS400 comporte son propre réglage de réponse. Comme il s'agit d'un système autonome qui ne sera jamais monté en contact avec un mur comme le VS300, il n'est pas nécessaire de disposer d'une compensation pour montage sur un mur. Mais nous avons pressenti que selon l'acoustique de la pièce et les préférences personnelles, ainsi que pour d'autres facteurs, il peut arriver que des réglages subtils de la réponse qui équilibreraient les graves en fonction des aigus soient nécessaires.

Pour cela, nous avons doté le VS400 d'une commande « d'inclinaison spectrale ». Il s'agit d'une commande subtile, mais efficace à 3 positions qui donne au spectre sonore une pente croissante vers les aigus (position Spectral Tilt +) ou une pente décroissante (position Spectral Tilt-), ainsi qu'une position neutre pour une réponse plate (position 0). En utilisant l'extrémité basse du spectre comme point de pivotement, la commande incline la réponse d'environ 2 dB au total (en + ou en -) pour donner un effet de « brillance » ou au contraire « d'assombrissement » à la réponse globale. Bien que la réponse des chambres sourdes soit plate et implique donc le réglage neutre dans la position Spectral Tilt 0, n'hésitez pas à essayer les autres positions selon les divers genres de musique, et laissez le réglage dans la position qui vous semble la meilleure.

Notre objectif est de procurer aux auditeurs des performances totalement convaincantes, comme si « ils y étaient ». Le jugement final sur la qualité du rendu sonore est bien sûr personnel. Nous vous encourageons à écouter les haut-

parleurs avec des enregistrements clairs et familiers - particulièrement avec des voix féminines et masculines et des instruments acoustiques - pour convaincre et satisfaire les auditeurs avec l'équilibre tonal naturel, la réponse en fréquence et la plage dynamique larges, et l'image spatiale restituée.

VIII. PROTECTION DE VOTRE INVESTISSEMENT

Puissance recommandée

Nous recommandons d'utiliser des amplificateurs et des récepteurs de puissance nominale comprise entre 25 et 250 watts. Pour la restitution à volume confortable remplissant la pièce, un minimum de 100 watts est habituellement un bon choix. Prenez garde à ne pas pousser des amplificateurs de faible puissance à leurs limites car cela peut provoquer des « écrêtages » qui peuvent induire des dommages permanents aux haut-parleurs. La plupart des personnes utiliseront le VS300 dans un système de cinéma à domicile comprenant un caisson de graves extrêmes. Cela n'est certes pas obligatoire et le VS300 donnera un son pleinement satisfaisant sans caisson de graves extrêmes. Toutefois, l'addition d'un caisson de grave extrêmes et la réduction de puissance des graves allant vers le VS300 accroîtront considérablement ses capacités de restitution totales. Dans de tels cas où un caisson de graves extrêmes est utilisé, votre processeur audio ou votre récepteur doit être réglé avec les voies appropriées désignées comme « faibles ».

- A. Pour un profiter au maximum, année après année de vos haut-parleurs, vous devez respecter leurs limites. Des niveaux de volume excessifs peuvent endommager les haut-parleurs les plus « percutants », en particulier sur des périodes de temps étendues.
- B. Lorsque vous écoutez de la musique ou regardez des films à très fort volume, vous ne devez pas tourner les commandes de graves et d'aigus à fond ou près de cette position. Cela envoie une puissance formidablement augmentée et disproportionnée dans les haut-parleurs, et peut très bien les endommager. Certaines compensations de contour (« Loudness »), qui renforcent à la fois les graves et les aigus, peuvent aussi être néfastes à fort volume. Elles ne sont destinées qu'à une écoute à faible volume.
- C. Finalement, vous devez être conscient que lorsque des amplificateurs et des récepteurs sont poussés à leurs limites pour restituer des niveaux de volume excessifs, ils peuvent produire des « écrêtages » et faire de sérieux dégâts - particulièrement aux haut-parleurs d'aigus. Souvent, les dégâts sont produits par des amplificateurs peu puissants, qui peuvent atteindre leurs limites très rapidement. Lorsque de tels appareils commencent à « écrêter » le signal audio, ils peuvent générer des « pics » à haute fréquence de puissance considérable. Beaucoup de haut-parleurs d'aigus ont probablement été détruits par ce phénomène plus que par tout autre. Si vous utilisez vos haut-parleurs à fort volume, écoutez soigneusement en recherchant tout signe de discordance, de confusion et de diminution de l'intelligibilité - et réduisez le volume immédiatement lorsque vous détectez cela.

NE TOURNEZ JAMAIS LA COMMANDE DE VOLUME À FOND POUR VOIR LA PUISSANCE DE RESTITUTION DE VOTRE SYSTÈME !

Soins à apporter au boîtier

Les boîtiers sont fabriqués en aluminium extrudé et les embouts sont en moulage plastique de précision revêtu d'une peinture longue durée. Ils doivent être manipulés soigneusement comme vous le feriez avec tout appareil domestique de belle présentation et de mêmes finitions. Essayez-les doucement avec un chiffon doux ; évitez les chiffons abrasifs, les éponges ou les détergents. Si nécessaire, frottez soigneusement avec un chiffon légèrement humide avec de l'eau ou un nettoyant de vitres pour retirer les souillures les plus importantes.

Grilles et bornes

Une brosse antipeluche fera l'affaire pour nettoyer les grilles. Les grilles peuvent être retirées et passées à l'aspirateur si vous le préférez. Si besoin est, vous pouvez utiliser une brosse antipeluche pour nettoyer les bornes. Évitez de toucher les diaphragmes des haut-parleurs. En particulier, une pression sur le dôme en aluminium du haut-parleur d'aigus causera un dommage permanent.

IX. EN CAS DE PROBLÈMES

- A. Réduisez le volume si un haut-parleur commence à distordre le son ou semble ne pas restituer certaines fréquences, pour vérifier d'abord si une écoute à plus faible volume semble faire disparaître le problème. Il peut être tout particulièrement important de réduire le volume si vous avez poussé un amplificateur ou un récepteur de faible puissance au-delà de ses limites confortables comme on l'a expliqué à la section « Protection de votre investissement ».
- B. Tentez de déterminer si le problème est dû au matériel électronique ou aux haut-parleurs et, dans ce dernier cas, à quel haut-parleur. Permutez les branchements des fils de haut-parleurs sur votre amplificateur ou votre récepteur entre les voies, de sorte que le haut-parleur de gauche soit branché à la voie de droite et vice versa. Si le problème se transpose à l'autre haut-parleur, le problème n'est pas dû au haut-parleur mais à l'électronique.
- C. Un autre composant - ou, très souvent, un problème de câble ou de branchement entre composants peut être à l'origine de l'anomalie. Si le problème demeure sur le même haut-parleur, quelle que soit la voie à laquelle il est branché et après avoir permuté les fils de branchement, le haut-parleur lui-même doit probablement être réparé.
- D. Consultez votre revendeur si une réparation est nécessaire. Les revendeurs PSB sont équipés pour traiter la plupart des problèmes. Si vous avez déménagé depuis votre achat, le revendeur agréé PSB le plus proche doit être en mesure de vous aider. Vous pouvez localiser votre revendeur agréé PSB le plus proche en consultant le site www.psbSpeakers.com. Si le problème n'est pas résolu, veuillez nous contacter en indiquant la désignation du modèle, le numéro de série, la date d'achat, le nom du revendeur et une description complète du problème.

Merci!

Nous apprécions votre achat et espérons que ce guide vous aidera à tirer le maximum de satisfaction que les systèmes de haut-parleurs PSB peuvent offrir.

X. Caractéristiques techniques

	VS300	VS400
Plage de fréquences		
Réponse		
Sur axe @ 0° ±3 dB	68-23 000 Hz	59-23 000 Hz
Coupure BF -10 dB	52 Hz	43 Hz
Sensibilité		
En chambre sourde	86 dB	88 dB
Pour une tension d'entrée de 2,83 volts		
Impédance		
Nominale	6 Ohms	6 Ohms
Minimale	4 Ohms	4 Ohms
Puissance d'entrée		
Recommandée	25-100 Watts	25-250 Watts
Conception acoustique		
Haut-parleur d'aigus (nominal)	Dôme aluminium de 25 mm (1 po)	Dôme aluminium de 25 mm (1 po)
Haut-parleur de graves (nominal)	2 x 114 mm (4,5 po) Cône en papier traité Suspension de caoutchouc butyle	4 x 114 mm (4,5 po) Cône en papier traité Suspension de caoutchouc butyle
Recouvrement	2500 Hz	2500 Hz
Réglage de correction	Correction pour installation murale	Réglage de contour
Finition/Construction		
Cadre de finition	Titane ou noir	Titane ou noir
Grille	Tissu de grille coordonné, fixations magnétiques	Tissu de grille coordonné, fixations magnétiques
Dimensions		
(L x H x P)	110 x 670 x 135 mm (6 1/3 x 26 1/3 x 5 1/3 po)	110 x 1 170 x 135 mm (6 1/3 x 46 x 5 1/3 po)
Poids		
Net	5 kg (11 lb)	9 kg (20 lb)
Emballé	6,34 kg (14 lb)	11,77 kg (26 lb)

CONTENIDOS

- I. Registrar La Garantía
- II. Desembalaje
- III. Colocación De Los Altavoces
 - Posición angular
 - Proximidad a las paredes
- IV. Instalación
 - Montaje en pared
 - Montura sobre mesa
- V. Conexiones
 - Selección del cable
 - Montaje en pared
 - Hacer las conexiones
- VI. Rejillas
 - Instalación y remoción
- VII. Configuración
 - Conmutadores de ajuste de la respuesta
- VIII. Protección De Su Inversión
 - Potencia recomendada
 - Cuidado de las cajas
 - Rejillas y aberturas
- IX. En Caso De Problemas
- X. Especificaciones

Notas sobre la protección ambiental



Al final de su vida útil, no se debe eliminar este producto junto con los residuos normales del hogar, sino que debe ser devuelto en un punto de recolección para el reciclado de equipos eléctricos y electrónicos. Así lo señalan los símbolos sobre el producto, en el Manual del usuario y en el embalaje.

Los materiales puede ser reutilizados de acuerdo a estos símbolos. Al reutilizar, reciclar materias primas, u otras formas de reciclaje de productos viejos, usted hace un importante aporte a la protección de nuestro medio ambiente.

Su representante local o el ayuntamiento le pueden indicar dónde se encuentra el punto de reciclaje correspondiente.

Felicidades por haber escogido los altavoces PSB VisionSound Series. Dedíquese un tiempo a leer las instrucciones de esta guía, ya que le ayudarán a disfrutar el pleno potencial de sus altavoces en cualquier equipo estéreo o multicanal de cine hogareño.

I. REGISTRAR LA GARANTÍA

Le recomendamos que dedique unos momentos a registrar su garantía, preferiblemente por Internet en psbspeakers.com/Warranty.html o mediante la tarjeta de garantía adjunta para que podamos servirle mejor en el futuro.

II. DESEMBALAJE

Los materiales de embalaje de sus sistemas de altavoces PSB están diseñados para protegerlos de daños durante el envío. Conserve el embalaje por si más adelante debe transportar los altavoces.

III. COLOCACIÓN DE LOS ALTAVOCES—MAXIMIZAR EL DISFRUTE

La colocación correcta de los altavoces es un elemento esencial para obtener el mejor sonido de su sistema estéreo, de audio multicanal o de cine en casa. La meta es reproducir fielmente la pista de audio que creó el director o productor musical de la película sin llamar la atención a los altavoces mismos. Cómo y en qué lugar ubica usted los altavoces, y dónde se sienta en relación a ellos puede tener un efecto significativo sobre la calidad de su disfrute de la música o de las películas.

Estos efectos de colocación se ubican en dos grandes categorías. Lo primero es la ubicación alrededor del oyente y cómo esto determina las cualidades espaciales del campo sonoro generado. En segundo lugar, las superficies de la sala y su proximidad a los altavoces (también la proximidad del oyente) tienen una fuerte influencia sobre el equilibrio del sistema.

También trataremos estos puntos.

Posición angular

Las bandas sonoras cinematográficas 5.1 y, en menor medida las bandas sonoras estereofónicas, se producen con la intención de crear un ambiente sonoro específico, y llevarle a él. Para hacerlo, se colocan elementos sonoros en puntos específicos en torno al oyente, para crear la impresión general de estar en otro espacio acústico. Este ambiente se recrea mejor en su hogar si coloca los altavoces en los ángulos apropiados alrededor de los asientos.

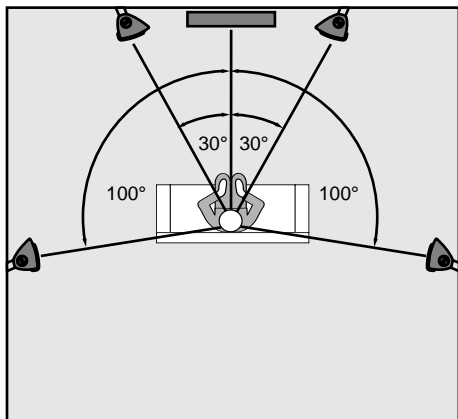
Lo mejor es imaginarse que usted observa su zona de escucha/visión desde arriba y que los altavoces se ubican en distintos puntos de un círculo que la rodea. Idealmente todos los altavoces y el TV deberían ubicarse sobre este círculo y así todos quedan equidistantes respecto al oyente, que está al centro. En la realidad, las distancias pueden variar de hasta 2 a 1 (el más lejano respecto al más próximo). Esta variación será compensada satisfactoriamente por los mandos de volumen y retardo (si lo hay) del procesador de sonido. Más importantes son los ángulos de los altavoces alrededor este círculo imaginario. Por supuesto, el altavoz central estará al frente en el centro, justo arriba o debajo del televisor. Los altavoces derecho e izquierdo deberían ubicarse a unos 30 grados a la izquierda y a la derecha del centro, con referencia al círculo imaginario cuando se mira desde arriba del oyente.

A los altavoces de montaje en pared usados con los televisores planos (plasma o

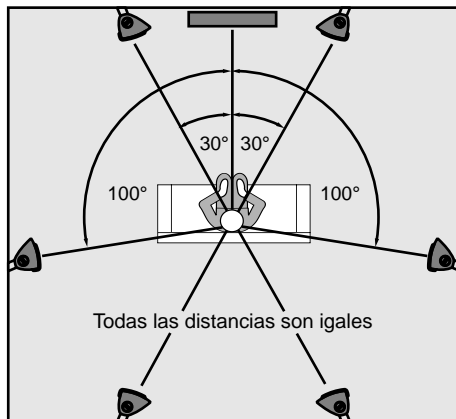
LCD) es práctica común ponerlos con unos pocos centímetros de separación del televisor.

Esto no suele ser óptimo. A menos que usted se sienta muy cerca de la pantalla, los altavoces deben ponerse más separados que el ancho del televisor para obtener el ángulo de espaciado de 30 grados a derecha e izquierda.

Si tiene sólo dos parlantes de sonido envolvente, la mejor posición sería hacia los lados, en lugar de en la parte posterior del área de escucha. Deberían ubicarse a 90 a 100 grados del círculo desde el frente (justo a los lados y ligeramente atrás de los espectadores), aunque la ubicación de los altavoces traseros es algo más flexible que la de los delanteros.



Colocación ideal de los altavoces: 5 .1



Colocación ideal de los altavoces: 7 .1

Otras sugerencias:

Idealmente, las personas deberán sentarse equidistantes de los altavoces frontales derecho, izquierdo y central y de los canales de sonido envolvente traseros (o laterales) para una imagen espacial más precisa. Si los oyentes están demasiado cerca de los altavoces frontales o traseros, la imagen sonora resultará defectuosa o puede no formarse. Con el VS300, aunque es ideal poner el centro del sistema a la misma altura de los oídos, la respuesta del sistema es amplia y puede permitirse cierta variación en la altura. Los altavoces derecho e izquierdo puede montarse a la misma altura de la pared que el televisor. Para ver cómodamente, el televisor debería ubicarse a la altura de la cabeza de una persona sentada, o a una altura intermedia entre sentado y de pie. Lo más importante, el altavoz del canal central debería ubicarse centrado sobre la pantalla, para que el sonido de este canal provenga del centro visual. En el caso de un televisor montado sobre la pared (como un TV de plasma) el altavoz generalmente se ubica debajo del aparato. En el caso de televisores de proyección trasera, se puede poner el altavoz encima de la unidad, mirando ligeramente hacia abajo.

El ajuste de equilibrio (balance) puede compensar ciertas diferencias en ubicación física entre derecha e izquierda. Los ajustes de retraso temporal dentro del procesador de sonido envolvente (si están presentes) pueden compensar más efectivamente las diferencias en el recorrido sonoro entre derecha e izquierda, o frente y atrás.

Si usted se sienta a igual distancia de ambos altavoces, sería conveniente girarlos ligeramente (unos 10 a 20 grados hacia dentro), lo que generalmente produce la mejor convergencia de las altas frecuencias en su lugar de escucha. Esto también hará que el sonido sea más parejo entre los asientos.

Todos los modelos VisionSound están diseñados para mantener el mismo equilibrio tonal cuando se usan distintos modelos en un mismo sistema. Es correcto mezclar un VS300, utilizado como centro, con VS400 a la derecha e izquierda. Se debe utilizar el mismo modelo en puntos simétricos en un sistema: frente izquierdo y derecho; trasero izquierdo y derecho.

La mayor parte del sonido envolvente (el sonido que proviene de los altavoces traseros, no de los frontales) está destinado a crear profundidad y «ambiente», más que a localizar efectos como provenientes de un lugar en particular. Sólo usted puede decir en qué medida prefiere los efectos localizados a un ambiente sonoro difuso y profundo. Si usted escucha música multicanal de DVD-Audio o SACD, puede querer la máxima localización de instrumentos. No obstante, para la mayoría de las aplicaciones de cine en casa suele preferirse un campo sonoro difuso. Puede ubicar los altavoces traseros para producir los efectos que prefiera, localizados con precisión o agradablemente difusos. En general, cuanto más lejos están los altavoces traseros del oyente, más difuso el campo de sonido envolvente. La difusión también puede crearse dirigiendo el sonido en otra dirección, por ejemplo, los altavoces traseros pueden apuntarse a una superficie reflectora, que dispersará el sonido.

Proximidad a las paredes

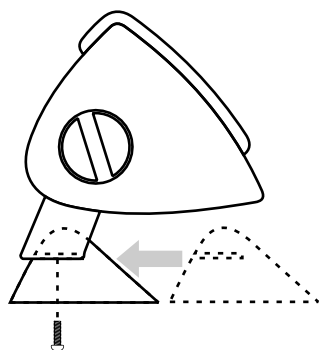
Cuanto más cerca ponga usted los altavoces de las paredes del salón, atrás o a los lados, mayor será la proporción de graves en su sonido. Esto se debe al efecto concentrador que producen las superficies cercanas en las frecuencias de mayor longitud de onda (los bajos). Ubicar los altavoces cerca de la intersección de dos superficies (pared y pared, pared y suelo, o pared y techo) producirá más graves que la colocación cerca de una sola superficie. La mayor proporción de graves se produce al colocarlos cerca de tres superficies que se intersectan, en un rincón cerca del suelo o del techo. Allí la convergencia de las dos paredes y el suelo/techo produce un efecto amplificador similar al de un megáfono. Y habrá pocos graves al colocar el altavoz lejos de todas las superficies. Deberá decidir a su gusto qué proporción de respuesta de graves le parece correcta en su salón.

Por supuesto, el VS300 está diseñado para ser montado sobre la pared con soporte de montaje incluido. Véase la sección VII, «Conmutadores de ajuste de la respuesta» para más detalles sobre este punto cuando se utiliza la montura en pared.

También tiene importancia dónde usted se sienta respecto a los altavoces, al igual que las proporciones del triángulo formado por los altavoces frontales izquierdo y derecho y usted. (Puede ser necesario enviar más potencia al altavoz más distante para compensar si está mucho más lejos de un altavoz que del otro.) También importa la distancia general a los sistemas acústicos. A medida que se aleja de ellos, a sus oídos llega más sonido reflejado de las superficies de la sala (en contraste al sonido que proviene directamente de los altavoces), y las relaciones espaciales originales son reemplazadas por las del salón mismo. A veces el resultado es un sonido más suave, más «integrado». Otras veces, tiene una calidad

más estridente o con más «eco». De nuevo, esto se debe a las dimensiones particulares y a los materiales de las superficies de su salón. Y según lo que le parezca parece más realista o más disfrutable a los oídos, puede elegir sentarse a mayor distancia o tener un sonido de primer plano, llamado «de campo cercano». Recuerde que la orientación y altura correcta de los altavoces, y una distancia a ellos razonablemente simétrica, todo se conjuga para ofrecer la mejor definición e imagen en las altas frecuencias.

Cambiar su propia posición, a veces tan sólo un poco, con respecto a los límites del salón también puede producir un gran efecto. Alejarse de la pared detrás de usted puede hacer el sonido más preciso y localizado. Si se acerca, el sonido puede ser más suave e integrado. Ponerse demasiado cerca—a la pared trasera, la pared lateral, o (especialmente) un rincón—puede hacerle sentir un fuerte pico en la respuesta, o la cancelación de toda una banda de frecuencias. Todo depende de factores que no podemos cubrir completamente aquí, pero que tratamos en nuestro sitio Web.



Pies del canal central

IV. INSTALACIÓN

El VS300 se puede montar de una variedad de modos, sea en la pared y o sobre una mesa. Se distribuye con la montura para pared ya instalada. Los dos pies (incluidos) permiten usarlo como canal central horizontal sobre el televisor o sobre una mesa frente al televisor.

Para montar los pies, suelte las manijas laterales y extienda la montura para que quede espacio entre la montura y el VS300. Encaje los pies en la montura y ajústelos con los dos pequeños tornillos Philips (de cabeza en cruz) provistos. Ajuste el ángulo según sea necesario y apriete las dos ruedas de ajuste para sostener el sistema en posición.

Montaje en pared

Para realizar el montaje en pared del VS300 se requieren ciertas herramientas y materiales y cierta habilidad. Si deben ocultarse completamente los conductores dentro de las paredes de su casa, lo mejor sería contratar un instalador experimentado. (Busque un instalador certificado en su zona.) Si acepta que los cables queden fuera de la pared, puede montar el sistema usted mismo, siempre que pueda manejar algunas herramientas básicas y se crea capaz de hacerlo. Una forma sencilla de ocultar los conductores es ponerlos dentro de las paredes y dejarlos caer por hasta el nivel del suelo, de donde puede extraerlos a través de un sencillo embellecedor (tapa) de pared. Se puede hacer esto con una necesidad mínima de «pescar los cables», y los conducirá a un punto donde serán mucho menos visibles, quizás completamente ocultos por un mueble.

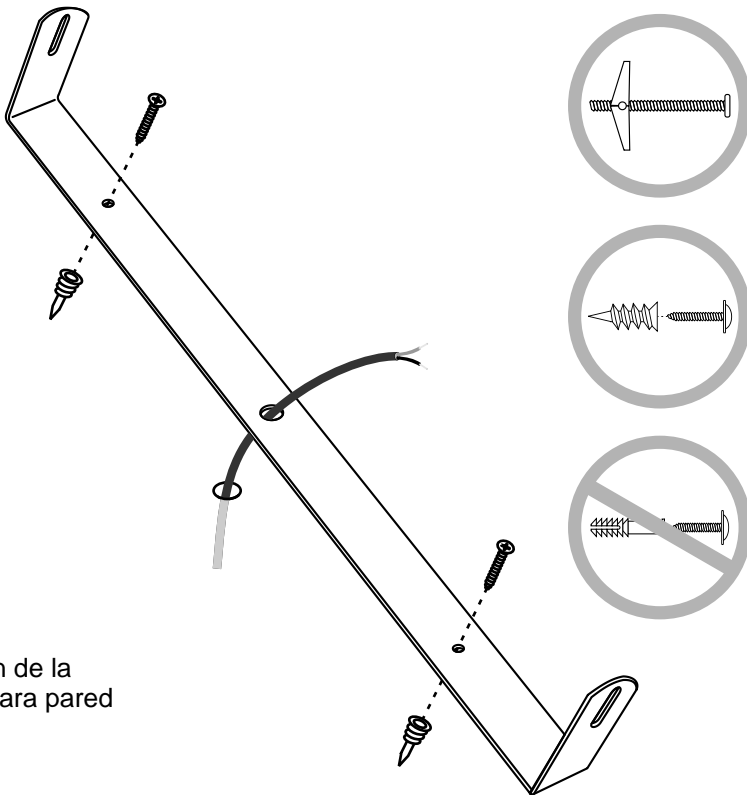
Podrá usar las siguientes herramientas para montar el VS300 en la pared:

Cinta de medida, lápiz y nivel

Destornillador Phillips y espátula

Taladro y mechas (pequeña para agujeros de tornillo y mayor para el cableado)

Cada montura para pared trae dos agujeros pequeños para los tornillos y un agujero central mayor para pasar el cable. Siguiendo las indicaciones siguientes, determine la mejor ubicación para sus VS300. Quite las monturas de cada altavoz y úselas como guía para perforar los agujeros de montaje. El nivel asegurará que los sistemas están en ángulo recto al TV y al horizonte. Use un taco para pared lo suficientemente fuerte. El único tipo que recomendamos son los expansores de metal o tipo «mariposa» o el tipo más moderno en que un tornillo plástico grande se enrosca en la pared y recibe a su vez un tornillo metálico en el centro. No use los tacos plásticos rectos comunes. Estos están diseñados para usarse en



Instalación de la montura para pared

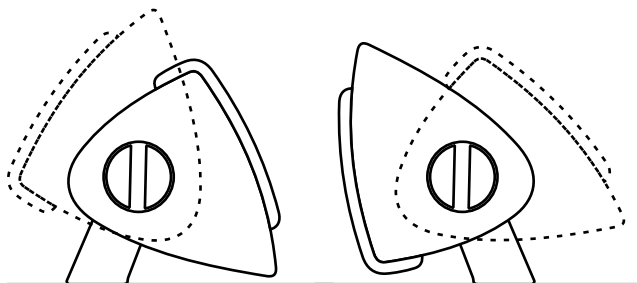
ladrillo y NO SOPORTARÁN el peso de un VS300.

Verá que la montura para pared tiene un ángulo entre la superficie de montaje y las dos barras de soporte. Dado que la montura es reversible, el sistema tiene más libertad de giro en el montaje, a la vez que se reduce la ranura de los extremos. El producto viene con la orientación correcta para el canal central (este ángulo permite montar los pies). Advierta que una orientación permite más giro en una dirección, mientras que quitar e invertir la montura da mayor libertad de giro en la otra dirección. Con estas dos orientaciones, el sistema puede ser montado en pared en cualquier ángulo. Hasta puede montárselo sobre una pared lateral y orientado a 90 grados (como podría ocurrir en aplicaciones de sonido envolvente o si se lo sujeta al

techo). Para invertir la montura, afloje ambas ruedas de ajuste, quítelas e invierta los extremos de la montura. Inserte la montura de nuevo en las ranuras, teniendo cuidado de no rayar la superficie del sistema, y vuelva a poner las ruedas de ajuste. Verá un disco de goma bajo cada rueda de ajuste en el interior de los extremos laterales. Sirve para que el sistema se mantenga en cualquier ángulo al que se lo dirija. Advierta también que los extremos del soporte de montaje tienen ranuras que dan unos 3 cm de juego hacia dentro o hacia afuera. Esta tolerancia puede utilizarse para inclinar ligeramente el sistema cuando está montado en pared y para ajustar el espacio entre el sistema y la pared. Muy probablemente el instalador colgará el sistema sobre la pared con las monturas flojas, conectará los conductores y luego acercará el sistema cerca a la pared y ajustará las las ruedas laterales.

Puede surgir el problema de la orientación. Es decir, cuando se lo monta verticalmente, ¿qué lado del sistema debe estar hacia el centro y cuál debe estar hacia afuera? Acústicamente la respuesta es muy simétrica, así que es más bien una cuestión de preferencia visual. Típicamente, el sistema se monta con el borde expuesto de la caja hacia adentro (hacia el televisor) porque cuando se lo inclina hacia dentro el sistema se acerca más a la pared.

Quando el VS300 se monta en pared es recomendable inclinar e los altavoces hacia la altura de los oídos aflojando ligeramente los tornillos de montaje y tirando hacia adelante de uno u otro extremo. Esto no sería necesario por razones acústicas pero puede servir para alinear el sistema con un TV inclinado ligeramente hacia abajo, por razones estéticas. La ranura en la montura para pared tiene el largo suficiente para ajustar este ángulo.

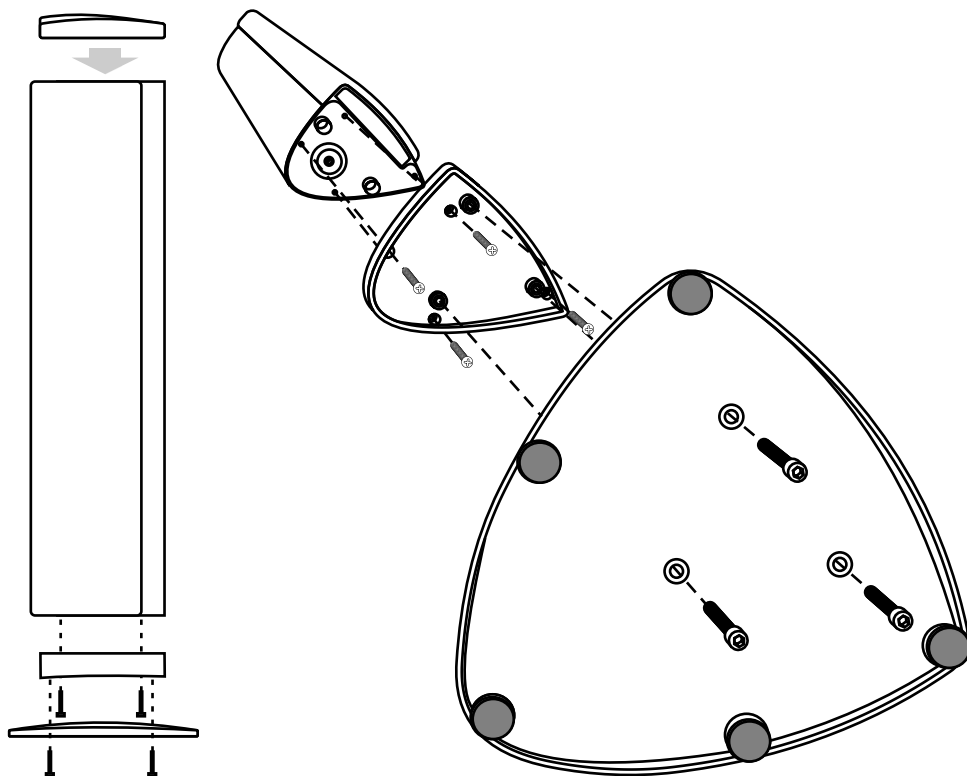


Montura sobre mesa con el VisionSound Pedestal Kit opcional

También puede usar los VS300 cerca de un televisor montado sobre un mueble. Si es así, puede ser preferible ponerlos derechos sobre la mesa en lugar de montarlos en pared. Esto puede hacerse con el VisionSound Pedestal Kit opcional. (Un par de bases por kit) Cada kit incluye dos bases de aluminio, un espaciador derecha e izquierda distanciador y tapas laterales de reemplazo (sin ruedas de ajuste). Las bases están bien equilibradas y tienen pies de goma para no dañar los muebles.

Para insertarlas, debe quitar las dos ruedas de ajuste y la montura para pared. Y las dos tapas de los extremos. Aunque las tapas están bien ajustadas, si se toman firmemente y se tira de ellas (moviéndolas de lateralmente un poco) podrá quitarlas. Resista la tentación de hacer palanca con un destornillador, lo que ciertamente dañaría la caja. Use un destornillador Phillips para sacar los 4 tornillos de un extremo de uno de los sistemas. Advierta que está convirtiendo «centros» en «izquierdos» y «derechos», así que deberá quitar los tornillos de un extremo de un sistema y el extremo opuesto del otro. Añada la placa adaptadora apropiada (la pieza de plástico de aproximadamente 3/4" de espesor) y vuelva a colocar y ajustar

los tornillos. El lado plano del espaciador se unirá al VS300. El lado curvo combina con la base de aluminio. La base se sujeta luego mediante 3 tornillos hexagonales Allen (llave incluida). Finalmente, ajuste las nuevas tapas laterales. Advierta que no se utilizarán las ruedas de ajuste, así que las nuevas tapas cubren el agujero de las



Montaje del kit de base

V. CONEXIONES

Importante: Apague siempre el equipo electrónico antes de conectar los altavoces.

Selección del cable

Recomendamos un calibre mínimo de 16 para el cable del altavoz para longitudes normales, y hasta calibre 12 para tendidos largos (más de 30').

Quizás le convenga escuchar y comparar el rendimiento de algunos de los cables especializados para altavoces disponibles en tiendas de audio.

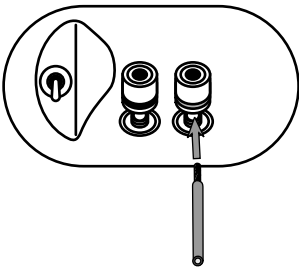
Montaje en pared

Al montar en pared el VS300 sería deseable ocultar los cables en las paredes. La montura para pared tiene un gran agujero central cerca del terminal de salida que permite sacar los cables por la pared sin que se los vea desde el frente. Desde la montura, los cables pueden llegar al equipo, o salir por una caja de conexiones junto

al suelo. Salvo que usted tenga experiencia en cableado eléctrico, le recomendamos contratar un instalador.

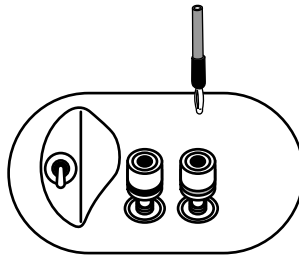
Hacer las conexiones

Asegúrese de conectar todos los altavoces en su sistema de manera idéntica: Terminal amplificador/receptor rojo o (+) a terminal de altavoz rojo (+); terminal negro (-) a negro (-). Así los diafragmas de los altavoces de ambos canales se moverán juntos hacia adelante y hacia atrás («en fase»), en lugar de en oposición («fuera de fase»). La conexión en fase ofrece la máxima claridad y más graves, mientras que la conexión fuera de fase produce cancelaciones de frecuencias y un sonido más débil y menos definido, con menos graves, una calidad vocal insuficiente y sin imagen central coherente. Para que la conexión sea correcta, se marcan—de un modo u otro—los dos cables de altavoces para poderlos distinguir entre sí. (El aislamiento o cubierta de un conductor puede estar marcado con signos «+», o uno de los conductores puede tener un color diferente al otro.) Use esta señal del cable, conjuntamente con las señales de positivo y negativo del amplificador/receptor y de los altavoces, para conectar siempre positivo con positivo y negativo con negativo, en ambos extremos del cable. Ajuste firmemente todos los terminales, pero no exagere para no dañar los conectores.



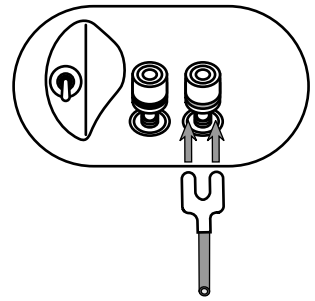
Conexión de alambre desnudo

Afloje la tuerca nudosa. Inserte el conductor por el orificio y ajuste la tuerca. Admite conductores de hasta calibre 8.



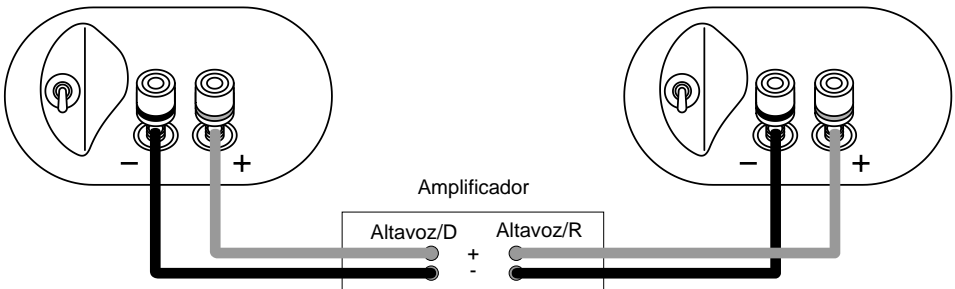
Conexión de clavija con punta cónica (banana)

Inserte la clavija sobre la tuerca. Ajuste las tuercas hexagonales para evitar vibraciones.



Conexión de clavija de pala

Afloje la tuerca. Se puede insertar una pala de 1/4" o 5/16" en la sección más angosta del conector. Ajuste la tuerca.



Observe la polaridad correcta de la conexión

VI. REJILLAS

Instalación y remoción

Las rejillas de los modelos VS están adheridas magnéticamente. Acerque la rejilla hasta su posición aproximada y deberá afirmarse sola en su lugar. Confirme que todos los fijadores magnéticos queden alineados y que la rejilla esté bien apoyada en todo el perímetro.

VII. CONFIGURACIÓN

Conmutadores de ajuste de la respuesta

En PSB hemos realizado un gran esfuerzo para que la respuesta de frecuencias de su sistema montado en pared sea lo más plana y neutra posible. Gracias a esto, usted disfrutará de una recreación precisa y placentera de todo tipo de materiales: música, voces o bandas sonoras de películas. Aún así, las variaciones en la posición de escucha, la acústica del ambiente y las preferencias pueden ajustarse con unos pocos mandos bien escogidos.

Una de las características más exclusivas del VS300 es su corrección por montaje en pared. Como se indica más arriba, las paredes de su salón y la proximidad del sistema a ellas afectará el nivel general de graves. Además, el montaje en pared produce un fenómeno muy específico, común a todos los sistemas acústicos montados de ese modo. Sólo el VS300 tiene un control para corregir con precisión este efecto.

Un altavoz montado sobre la pared irradia sonido en todas las direcciones. El sonido que se propaga hacia adelante es el primero en llegarle a los oídos. Este sonido de «llegada directa» es similar a la respuesta en una cámara anecoica y uno de los criterios de diseño del VS300 fue que fuera plana. El sonido también viaja hacia atrás. Ese componente rebota en la pared de montaje y llega a su oídos aproximadamente 1 milisegundo después del sonido directo. El efecto principal de esta llegada retrasada es causar un «agujero» significativo en 500 Hz, justo en el centro de la banda de la voz humana. Este fenómeno altera notablemente el sonido de las voces: les quita cuerpo. En PSB hemos elaborado muy cuidadosamente la red de cruce del VS300, y le hemos añadido un conmutador, para compensar este fenómeno. Cuando se monta el VS300 en pared debe ponerse el interruptor en la posición «on wall», indicada en el gráfico en la etiqueta de la parte posterior. **NO PONGA** el conmutador en «on wall» para cualquier otra condición de montaje, como sobre pedestales o sobre mesa con las bases opcionales. Incluso si tal montaje pone el sistema algo cerca de una pared, la respuesta se degradará en cualquier circunstancia que no sea el montaje propiamente sobre pared.

Nuestra meta es dar a los oyentes un desempeño completamente convincente, de «estar allí». Aunque, por supuesto, el parecer final sobre la calidad del sonido depende de cada uno. Le estimulamos a escuchar los sistemas acústicos con grabaciones claras y conocidas—particularmente de voces masculinas y femeninas e instrumentos acústicos—para apreciar el equilibrio tonal natural, la respuesta de frecuencia y el rango dinámico amplios y la imagen espacial.

VIII. PROTECCIÓN DE SU INVERSIÓN

Potencia recomendada

Recomendamos amplificadores y receptores de una gama de potencia de 25 a 250 watts. Para reproducción a un volumen pleno, que llene el salón, generalmente es una buena idea tener un mínimo de 100 watts. Tenga cuidado con forzar a los amplificadores de baja potencia hasta el límite de volumen, dado que así llegan al «recorte» de la señal, que puede provocar daños permanentes a los altavoces. La mayoría de la gente utilizará el VS300 en un sistema de cine en casa que incluye un subwoofer (altavoz de refuerzo de graves). Este es ciertamente opcional y el VS300 dará un sonido pleno y satisfactorio sin un subwoofer. No obstante, agregar un subwoofer y reducir la potencia de graves que llega al VS300 incrementará considerablemente su capacidad de salida total. En estos casos en que se usa un subwoofer, su procesador de audio o receptor deben configurarse con los canales respectivos en «pequeño» (small).

- A. Para disfrutar plenamente sus altavoces por muchos años debe respetar sus límites. Los niveles de volumen excesivos pueden dañar hasta los sistemas acústicos más resistentes, especialmente si se usan así por largo tiempo.
- B. Cuando escucha música o películas a volumen muy alto, no debe subir los graves o agudos al máximo o casi al máximo. Esto envía una potencia tremendamente incrementada, desproporcionada, a los altavoces, y bien puede dañarlos. Hay ciertos mandos de sonoridad («Loudness»), que refuerzan los graves y agudos, que también pueden dar problemas a alto volumen. Están destinados sólo a la escucha a bajo volumen.
- C. Finalmente, debe saber que cuando se lleva los amplificadores y receptores al límite para producir niveles de volumen excesivos, entran en «recorte», lo que puede causar un grave daño, particularmente a los altavoces de agudos. Frecuentemente, el daño lo provocan amplificadores de baja potencia, que alcanzan muy pronto su límite. Cuando esas unidades empiezan a «recortar» la forma de onda del audio, generan picos de alta frecuencia con gran potencia. Probablemente este fenómeno haya destruido más tweeters (altavoces de agudos) que cualquier otra causa. Si usa los altavoces muy fuerte, escuche con cuidado cualquier signo de sonido áspero, o de menor inteligibilidad, y—si aparece—baje inmediatamente el volumen.

¡NUNCA SUBA EL VOLUMEN AL MÁXIMO PARA VER LO FUERTE QUE REPRODUCE SU SISTEMA!

Cuidado de las cajas

Las columnas se fabrican en aluminio extruido y extremos de plástico moldeado de precisión, acabado con una pintura una pintura durable. Deben tratarse como cualquier otro elemento del hogar con una terminación similar. Qúíteles el polvo ligeramente con un paño suave; evitando telas abrasivas, esponjas o limpiadores. Si fuera necesario, limpie con cuidado con un paño ligeramente humedecido con agua o limpiador para cristales para eliminar la suciedad.

Rejillas y aberturas

Las rejillas pueden limpiarse con un pincel limpiapelusas. También pueden quitarse las rejillas y pasarles el aspirador. Si hubiera necesidad, se puede usar un pincel para limpiar las aberturas. Evitar tocar los diafragmas de los altavoces. En particular, presionar hacia adentro la cúpula del altavoz de agudos le causará un daño permanente.

IX. EN CASO DE PROBLEMAS

- A. Disminuya el volumen si un altavoz comienza a sonar distorsionado o parecen faltarle ciertas frecuencias, para comprobar si reproducir a un nivel sonoro menor parece solucionar el problema. Puede ser especialmente importante bajar el volumen inmediatamente si ha llevado a un amplificador o receptor más allá de su límite de seguridad, como se explica en la sección «Protección de su inversión».
- B. Identifique si el problema es de la electrónica o los altavoces y, si son los altavoces, cuál en particular. Cambie de canales los cables de altavoz en el amplificador o receptor, para que el altavoz izquierdo esté conectado al canal derecho, o viceversa. Si el problema pasa al otro altavoz, el problema no está en el altavoz sino en la electrónica.
- C. Puede haber un fallo en otro componente o, muy frecuentemente, en un cable o un problema de conexión entre componentes. Si el problema permanece en el mismo altavoz, independientemente del canal al que se lo conecta, después de cambiar el cable del altavoz, probablemente sea el altavoz mismo el que necesita servicio.
- D. Consulte a su distribuidor si requiere servicio. Los distribuidores de PSB están equipados para manejar casi todos los problemas. Si se ha mudado desde su compra, el distribuidor PSB autorizado más próximo debería poder ayudarle. Puede ubicar el distribuidor autorizado PSB más próximo en www.psbSpeakers.com. Si el problema no se resuelve, póngase en contacto con nosotros, indicando el nombre del modelo, número de serie, fecha de compra, nombre del distribuidor, y una descripción completa del problema.

Muchas gracias!

Apreciamos su compra, y esperamos que esta guía del propietario le ayudará a disfrutar la excepcional satisfacción que los sistemas de altavoces PSB pueden ofrecer. Le deseamos muchos años de disfrute!

X. ESPECIFICACIONES

	VS300	VS400
Gama de frecuencias		
Respuesta		
Sobre el eje @ 0° ±3 dB	68-23.000 Hz	59-23.000 Hz
Corte de bajos -10 dB	52 Hz	43 Hz
Sensibilidad		
Cámara anecoica Para una entrada de 2,83 volts	86 dB	88 dB
Impedancia		
Nominal	6 ohms	6 ohms
Mínima	4 ohms	4 ohms
Potencia de entrada		
recomendada	25-100 Watts	25-250 Watts
Diseño acústico		
Tweeter (nominal)	Cúpula de aluminio de 1"	Cúpula de aluminio de 1"
Woofer (nominal)	2 x 4,5" Cono de papel tratada Contorno de caucho butílico	4 x 4,5" Cono de papel tratada Contorno de caucho butílico
Frecuencia de cruce	2500 Hz	2500 Hz
Ajuste de EQ	Corrección montaje en pared	Corrección de contorno
Terminación/Construcción		
Terminación del marco	Titanio o negro	Titanio o negro
Rejilla	Rejilla combinada, fijadores magnéticos	Rejilla combinada, fijadores magnéticos
Dimensiones		
(A x H x P)	6 1/3 x 26 1/3 x 5 1/3"	6 1/3 x 46 x 5 1/3"
Peso		
Neto	11 lbs	20 lbs
Bruto	14 lbs	26 lbs

PSB Speakers
633 Granite Court
Pickering, Ontario L1W 3K1
CANADA
www.psbSpeakers.com
888-772-0000 (North America)
905-831-6555 (International)
Fax: 905-837-6357



Free Manuals Download Website

<http://myh66.com>

<http://usermanuals.us>

<http://www.somanuals.com>

<http://www.4manuals.cc>

<http://www.manual-lib.com>

<http://www.404manual.com>

<http://www.luxmanual.com>

<http://aubethermostatmanual.com>

Golf course search by state

<http://golfingnear.com>

Email search by domain

<http://emailbydomain.com>

Auto manuals search

<http://auto.somanuals.com>

TV manuals search

<http://tv.somanuals.com>