

PYLE[®] PRO

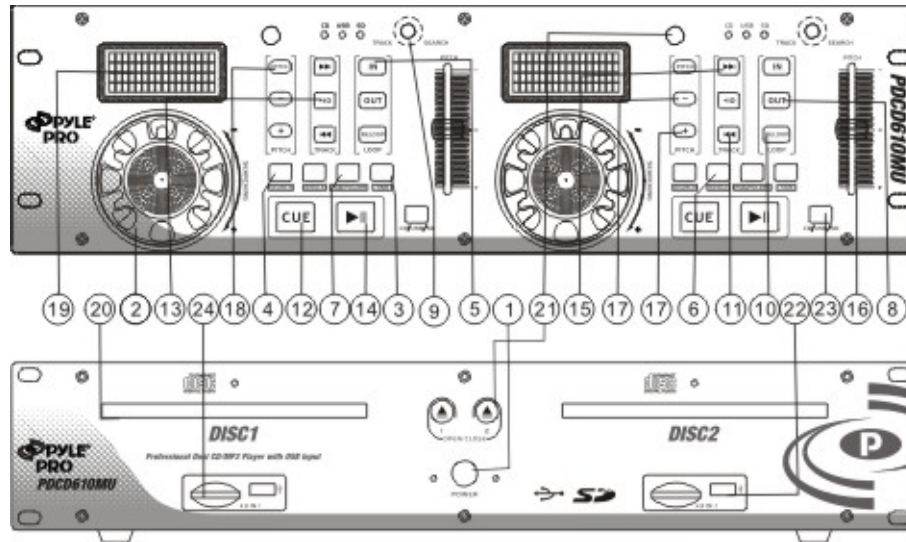
PDCD610MU

PROFESSIONAL DUAL CD/MP3 PLAYER WITH USB INPUT



OWNER'S MANUAL

**PROFESSIONAL CD PLAYER WITH ANTI-SHOCK MEMORY
USER MANUAL
PDCD610MU**



IMPORTANT

Use of controls or adjustments or performance of procedures other than those specified herein may result in hazardous radiation exposure.

CD Player function :

1. POWER BUTTON

Press the power switch to turn the unit on. To switch the POWER off press the POWER switch again.

2. JOG & SHUTTLE WHEELS

The controls values functions, as follows :

speed control:Rotating the wheel, in play mode, will change the playback speed according. While rotating clock wise, the player speed increase,rotatind counterclockwise ,the speed decrease.

Searchin: Rotating the wheel in pause mode, the player will forward or backward to the desired point to start. The searching speed changed according to the dialing speed. It can be carried out by one frame increase

3. TIME BUTTON

This buttons switches the time display/between each. Remaining time, elapsed playing time, and total remaining time.

4. SEARCH BUTTON

Press the button to switch the function of jog dial between SEARCH and PITCH BEND, when the indicator LED is light, dial the jog for quick search forward and backward, when the indicator LED is off, dial the jog for pitch bend function .If the jog is unmoved for 8 seconds, the indicator is off and the jog is for pitch bend function.

5. IN BUTTON (LOOP SYSTEM)

This button sets the beginning of the loop. The Loop indicator on the display flashes.

6. CONT. / SINGLE BUTTON

Press these to switch between the SINGLE and CONTINUOUS play mode. The selected mode is indicated on the LCD. In SINGLE mode, after each track, the unit pause of beginning next track. In continu mode, the unit plays all track and stops.

7. PROG BUTTON

In STOP mode, you can program several tracks (20 tracks max):

- Press the STOP button to enter in the stop mode
- Press the PROG button to enter in the program mode
- Use the skip track buttons to choose the track you want to listen then press the PROG button to enter your choice.
- Use one more time the skip track buttons to choose the track you want to listen then press the PROG button to enter your choice.
- Repeat the operation to select all the track you want to listen
- Press the play / pause button to start the playback

8. OUT BUTTON (LOOP BUTTON)

When you press this button, you set the end point of the seamless loop and you start the loop. To finish the loop, press again this button.

9. TRACK SELECT BUTTONS

Pressing 0-9 buttons, allow you to select tracks from the CD.

10. RELOOP BUTTON (LOOP SYSTEM)

This button is used to start the last saved loop. To finish the loop, press the RELOOP button.

11. SKIP I<< BUTTON

This button selects the last track to be player.

12. CUE BUTTON

The CUE function allows the CD to be played from the memorized point any numbers of times, with the unit in pause mode. Press the CUE button to set up the memorized CUE point and then the CUE button blinks.

13. +10 BUTTON

Use this button to jump of 10 tracks in one press.

14. PLAY / PAUSE BUTTON

Each time you press the PLAY/PAUSE button, the operation changes from play to pause or from pause to play.

15. SKIP >>I BUTTON

Use the button select the next track to be player.

16. PITCH CONTROL

Use this control slider to increase or decrease the speed playback.

17. PITCH BEND +/- BUTTON

The pitch will automatically rise when the + button is pressed and return to the original pitch when it is released.

18. PITCH BUTTON

If you push this button, the adjustment of the pitch potentiometer is available.

19. DISPLAY

LCD display indicate the track time(minutes, second frame), remain, pitch, beat, loop, auto, single, continue and time bar.

20. DISC-TRAY

To enter the disc, please refer to the explanations under 6.2 CD-tray.

21. OPEN/CLOSE BUTTON

The Disc Is placed on this tray pressing the Disc tray open/close buttons will open or close the tray.

22. USB PORT

Support USB playing and you may also connect the computer with the USB cable but only when enter into USB work mode.

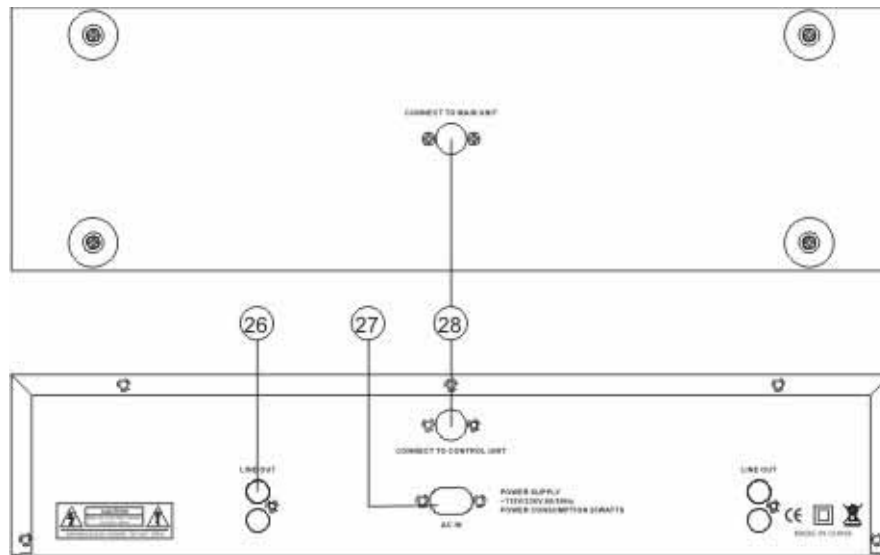
23. CD/USB/SD

To enter into the CD and USB or SD work mode by this key conversion.

24. 3 IN 1 CARD SLOT

Slot for inserting 3 IN 1 card. The contacts of the card must point downwards. The unit cannot read cards with a capacity of more than 4GB. The unit is not compatible to SDHC cards and only supports the MP3 format.

Connection :



25. LINE OUT 1-2

The audio for each CD player is an output for these jacks. Connect to the line input of the mixer.

26. AC CORD

Use this cable to connection power cord unit in AC walk out let with the properly voltage.

27. CONNECTION PORT

The connection port the connection of the control unit to main unit.

WARRANTY CONDITIONS

PLYE PRO equipment is covered by a 1-year warranty on parts and labor except for faders (90 days).

The following rules apply from the day the equipment leaves the factory:

The date on the invoice is considered to be the date the warranty begins.

Only companies approved by **PLYE PRO** are allowed to work on the equipment. Warranty becomes void when other service technicians open the equipment.

During warranty period, defective equipment must be sent by pre-paid mail in the original box.

PLYE PRO will return the goods by pre-paid mail during the first year of warranty; thereafter the mailing cost is to be paid by the recipient.

Potentiometers have a limited lifetime and are not covered by the manufacturer for more than normal use.

For all service enquiries, refer to your local distributor, as he is best able to help you.

SPECIFICATIONS:

Anti-Shock Buffer Memory:	40 seconds
Range of adjustments:	+/- 16%
Power supply:	~ 115/230V, 60/50Hz
Dimensions :	Player : 482x90x255mm
	Controller : 482x132x80mm





PYLE[®] PRO

WWW.PYLEAUDIO.COM

IMPORTANT: PACK CAREFULLY IN ORIGINAL CARTON IF POSSIBLE. WE ARE NOT RESPONSIBLE FOR DAMAGE INCURRED IN RETURNING ITEMS FOR REPAIR. A LETTER STATING YOUR EXACT STREET ADDRESS, DAYTIME PHONE NUMBER, AND THE PROBLEM YOU ARE EXPERIENCING SHOULD BE INCLUDED. YOU MUST ALSO ENCLOSE A COPY OF THE ORIGINAL RECEIPT A SPROOF OF DATE OF PURCHASE

**PYLE SERVICE CENTER
1600 63RD STREET
BROOKLYN, NY 11204
1-800-444-5671**

Free Manuals Download Website

<http://myh66.com>

<http://usermanuals.us>

<http://www.somanuals.com>

<http://www.4manuals.cc>

<http://www.manual-lib.com>

<http://www.404manual.com>

<http://www.luxmanual.com>

<http://aubethermostatmanual.com>

Golf course search by state

<http://golfingnear.com>

Email search by domain

<http://emailbydomain.com>

Auto manuals search

<http://auto.somanuals.com>

TV manuals search

<http://tv.somanuals.com>