

PYLE[®] PRO

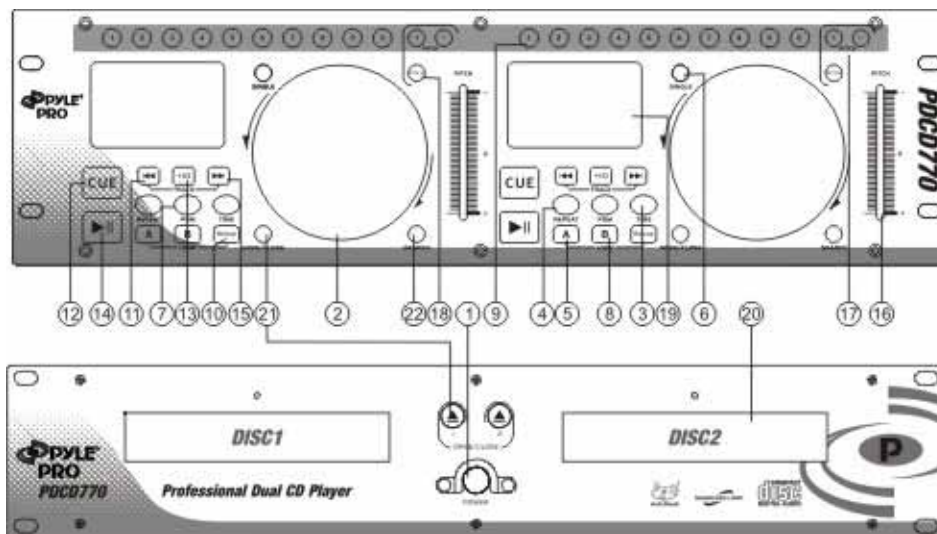
PDCDJ770

PROFESSIONAL DUAL CD PLAYER



OWNER'S MANUAL

PROFESSIONAL DUAL CD PLAYER WITH ANTI-SHOCK MEMORY
USER MANUAL
PDCD770



IMPORTANT

Use of controls or adjustments or performance of procedures other than those specified herein may result in hazardous radiation exposure.

CD Player function:

1. POWER BUTTON

Press the power switch to turn the unit on. To switch the POWER off press the POWER switch again.

2. JOG & SHUTTLE WHEELS

The controls values functions, as follows:

Speed control: Rotating the wheel, in play mode, will change the playback speed according. While rotating clock wise, the player speed increase, rotating counterclockwise, the speed decrease.

Searching: Rotating the wheel in pause mode, the player will forward or backward to the desired point to start. The searching speed changed according to the dialing speed. It can be carried out by one frame increase

3. TIME BUTTON

This buttons switches the time display/between each, remaining time, elapsed playing time, and total remaining time.

4. REPEAT BUTTON

Use this button to repeat one track or all the track of the CD.

5. IN BUTTON (LOOP SYSTEM)

This button sets the beginning of the loop. The Loop indicator on the display flashes.

6. CONT. / SINGLE BUTTON

Press this button to switch the single and continues play mode. The select mode is indicated on the LCD. In SINGLE mode, after each track, the unit pauses the beginning of the next track in continues mode, the unit plays all tracks.

7. PROG BUTTON

In STOP mode, you can program several tracks (20 tracks max):

- Press the STOP button to enter in the stop mode
- Press the PROG button to enter in the program mode
- Use the skip track buttons to choose the track you want to listen then press the prog button to enter you choice.
- Use one more time the skip track buttons to choose the track you want to listen then press the PROG button to enter you choice.
- Repeat the operation to select all the track you want to listen
- Press the PLAY / PAUSE button to start the playback

8. OUT BUTTON (LOOP BUTTON)

When you press this button, you set the end point of the seamless loop and you start the loop. To finish the loop, press again this button.

9. TRACK SELECT BUTTONS

Pressing 0-9 buttons allows you direct access to select tracks from the CD.

10. RELOOP BUTTON (LOOP SYSTEM)

This button is used to start the last saved loop. To finish the loop, press the reloop button.

11. SKIP I<< BUTTON

This button selects the last track to be played.

12. CUE BUTTON

The CUE function allows the CD to be played from the memorized point any numbers of times, with the unit in pause mode. Press the CUE button to set up the memorized CUE point and then the CUE button blinks.

13. +10 BUTTON

Use this button to forward 10 tracks in one press.

14. PLAY / PAUSE BUTTON

Each time you press the PLAY/PAUSE button, the operation changes from play to pause or from pause to play.

15. SKIP >>I BUTTON

Use this button to select the next track to be played

16. PITCH CONTROL

Use this control slider to increase or decrease the speed playback.

17. PITCH BEND +/- BUTTON

When each of the two CD Players is Playing, the pitch bend function allows the position of the BASS beat to be matched after the pitch has been adjusted.

18. PITCH BUTTON

If you push this button, the adjustment of the pitch control is available.

19. DISPLAY

This LCD Display indicates track Numbers, Time, Remain, pitch, Single, Continue and Time Bar. .

20. DISC-TRAY

To enter the disc, please refer to the explanations under 6.2 CD-tray.

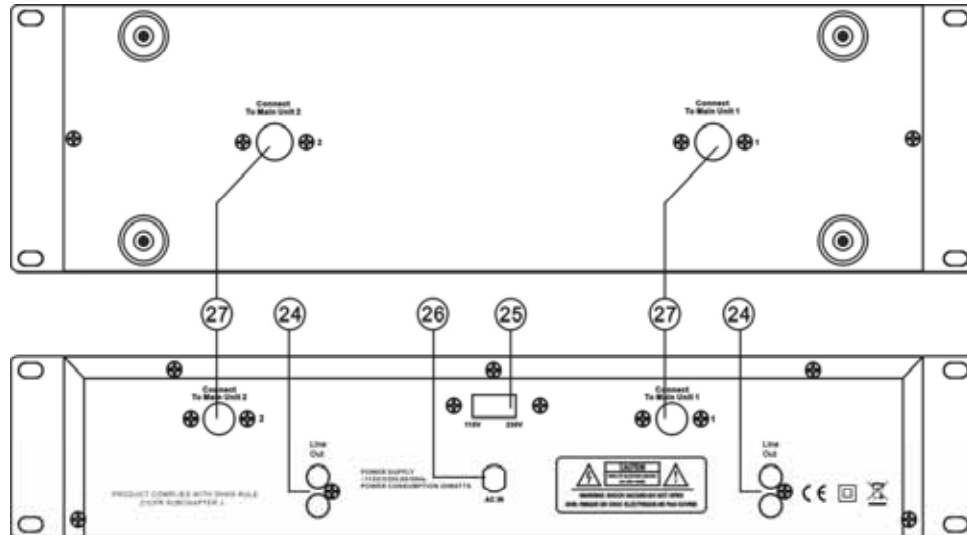
21. OPEN/CLOSE BUTTON

The Disc Is placed on this tray pressing the Disc tray open/close buttons will open or close the tray

22. SEARCH BUTTON

Pressed the button to switch the function of jog dial between SEARCH and PITCH BEND, when the indicator LED is light, dial the jog for quick search forward and backward, when the indicator LED is off, dial the jog for pitch bend function, If the jog is unmoved for 8 seconds, the indicator is off, and the jog is for pitch bend function.

Connection :



23. LINE OUT 1-2

The audio for each CD player is output from these jacks. Connect to the line input of the mixer.

24. AC INPUT CONNECTING POWER

Use this selector to choose the good power supply. (Several countries have another power supply)

25. AC CORD

Connect the power cord into an AC wall outlet with the proper AC voltage

26. CONNECTOR PORTS

The 8 PIN Termination permits the connection the control unit to the main unit

WARRANTY CONDITIONS

PLYE PRO equipment is covered by a 1-year warranty on parts and labor except for Crossfaders (90 days).

The following rules apply from the day the equipment leaves the factory:

The date on the invoice is considered to be the date the warranty begins.

Only companies approved by **PLYE PRO** are allowed to work on the equipment. Warranty becomes void when other service technicians open the equipment.

During warranty period, defective equipment must be sent by pre-paid mail in the original box.

PLYE PRO will return the goods by pre-paid mail during the first year of warranty; thereafter the mailing cost is to be paid by the recipient

Potentiometers have a limited lifetime and are not covered by the manufacturer for more than normal use.

For all service enquiries, refer to your local distributor, as he is best able to help you.

SPECIFICATIONS:

Anti-Shock Buffer Memory:	40 seconds
Range of adjustments:	+/- 16%
Power supply:	~115 / 230V, 50/60Hz,
Dimensions :	Player : 482x90x255mm
	Controller : 482x132x80mm



Free Manuals Download Website

<http://myh66.com>

<http://usermanuals.us>

<http://www.somanuals.com>

<http://www.4manuals.cc>

<http://www.manual-lib.com>

<http://www.404manual.com>

<http://www.luxmanual.com>

<http://aubethermostatmanual.com>

Golf course search by state

<http://golfingnear.com>

Email search by domain

<http://emailbydomain.com>

Auto manuals search

<http://auto.somanuals.com>

TV manuals search

<http://tv.somanuals.com>