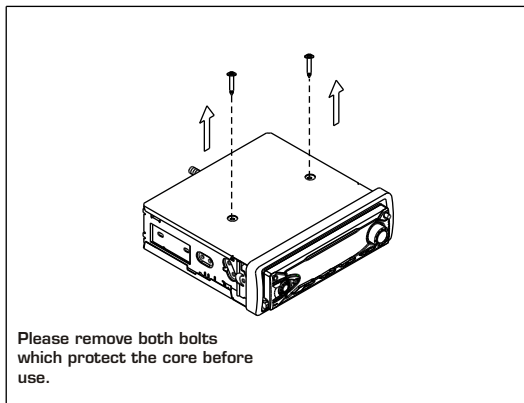
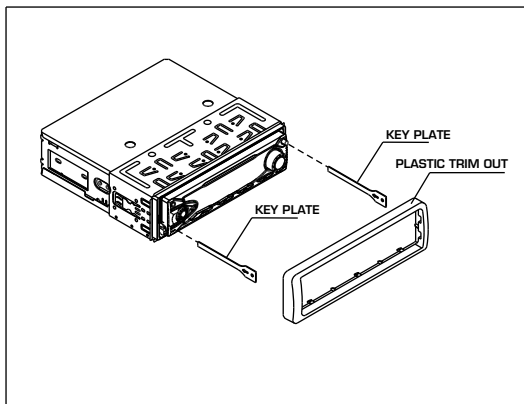
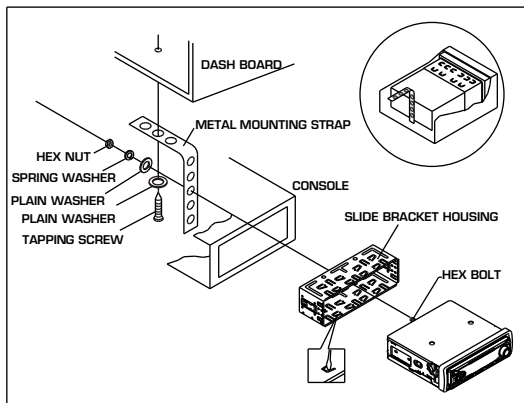


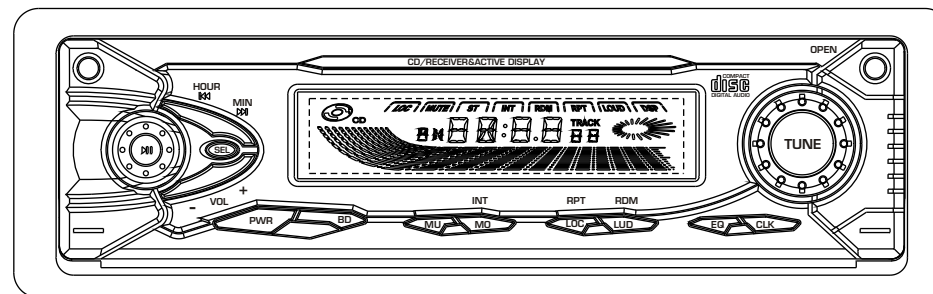
INSTALLATION



PYLE[®] plus

PLCD26

INSTRUCTION MANUAL

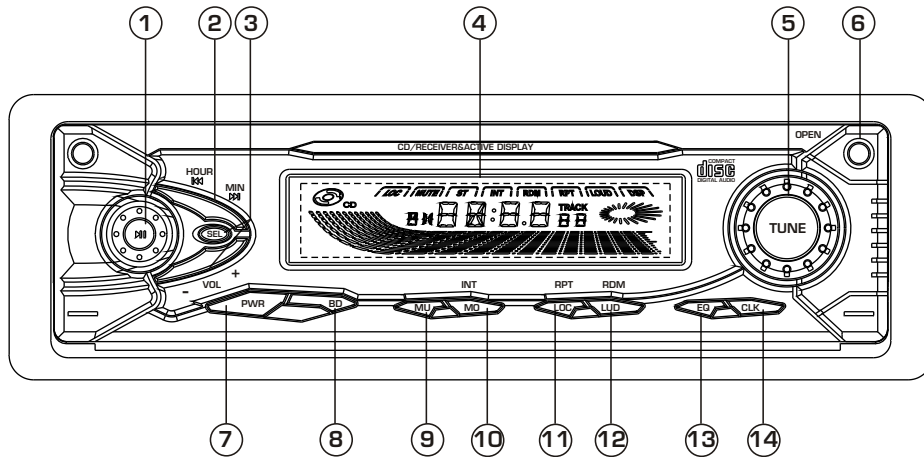


160WATTS

**ANTI-THEFT FLIP DOWN DETACHABLE SYSTEM
AUTO-LOADING COMPACT DISC PLAYER
AM/FM STEREO WITH MANUAL TUNING RADIO**

www.pyleaudio.com

LOCATION AND FUNCTION OF CONTROL



1. CD (CD PLAY, PAUSE) BUTTON

At tuner mode, press button to switch to CD mode. At CD mode, press it to pause the CD program and press it again to resume CD playback.

2. TRACK UP/DOWN BUTTONS

- During CD mode, press button allow you to track backwards. Hold the button allow you to skip backwards.
- During CD mode, press button allow you to track forwards. Hold the button allow you to skip forwards.

3. SEL(AUDIO MODE SELECT)/VOLUME +/- BUTTON

Press SEL button to change the mode in the sequence of

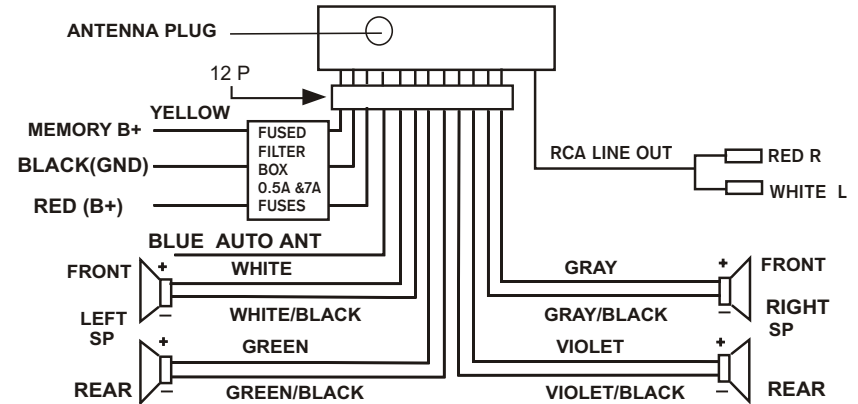


- The volume level can be adjusted at any time by pressing the audio level+ or - button as select mode has been initially defaulted at volume mode.
- The volume level is also obtained by stepping through the SEL button until the function VOL is displayed and then press + or - button to adjust the sound level.
- Press and hold the + or - button to adjust the sound level.

BASS CONTROL

- Press the SEL button to select the bass mode until **BAS** appears on the display.
- Press + or - to adjust the bass effect.

Speaker Connection



SPECIFICATION GENERAL

Power requirement.....DC 13.8V.
 Current consumption.....7A MAX.

Power output.....4 X 40W

FM SECTION

Frequency range.....88MHz -108.0MHz.
 Usable sensitivity.....10uV.
 I.F Frequency.....10.7MHz.

AM(MW) SECTION

Frequency range.....530KHz - 1700KHz.

LINE - OUT [OPTION]

Output.....250mV @ FM 10% THD POWER.
 Impedance.....600 ohm.

CD PLAYER

System.....compact disc audio system.
 Usable disc.....compact disc.
 Signal format.....sampling frequency 44.1KHz.
 No of quantization bits 1bit.

Frequency characteristics.....5-40Hz ≤ 5dB
 10K-20KHz ≤ 5dB.

Signal to noise radio.....60dB [1KHz] [IEC - A net work].

Chassis dimensions.....178[W] X 50[H] X 159[D].

TROUBLE SHOOTING

Before going through the check list, wiring connection, should any of the problem persist after check list has been made, consult your nearest service dealer.

Symptom	Cause	Solution
No power	The car ignition is not on.	If the power supply is properly connected to the car accessory switch the ignition key to " ACC "
	The fuse is blown	Replace the fuse
Disc cannot be loaded or ejected	Presence of CD disc inside the player	Remove the disc in the player then put a new upward
	Inserting the disc in upside down	Insert the compact disc with the label facing upward
	Compact disc is extremely dirty or defective	Clean the disc or try to play a new one
	Temperature inside the car is too high	Cool off until the ambient temperature returns to normal
No sound	Condensation	Leave the player off for an hour or so, then try again
	Volume is in minimum	Adjust volume to a desired level
Sound skips	Wiring is not properly connected	Check wiring connection
	The installation angle is more than 30 degrees	Adjust the installation angle to less than 30 degrees
The radio does not work	The disc is extremely dirty or defective	Clean the compact disc/try to play a new one
	The antenna cable is not connected the signals are too weak	Insert the antenna cable firmly select a station manually

TREBLE CONTROL

- Press the SEL button to select the treble mode until TRE appears on the display.
- Press + or - to adjust the treble effect.

BALANCE CONTROL

- Press the SEL button to select the balance mode until BAL appears on the display.
- Press the + button or - button to increase or decrease the sound level of left or right speaker.

FADER CONTROL

- Press the SEL button to select the fader mode until FAD appears on the display.
- Press the + button or - button to increase or decrease the sound level of front or rear speaker.

4. LCD (LIQUID CRYSTAL DISPLAY)

5. TUNING BUTTON

During tuner mode, rotate it to select your desired radio broadcasting station within FM/MW.

6. OPEN BUTTON

Press it to flip down the front panel when you want to take away. Press it to flip down the front panel then you can insert a disc into the compartment or eject the disc by pressing the EJ button.

7. POWER BUTTON

Press it to turn on or off the unit.

8. BAND BUTTON

At CD mode, press it to switch tuner mode. Press it to select your desired radio band and the band which is selected will be displayed on LCD.

9. MUTE BUTTON

Press it to eliminate the sound temporarily when you need, press it again to resume normal play state.

10. MO/INT BUTTON

MO MODE: Press it to select mono or stereo mode.

INT MODE: During CD mode, press " INTRO "button to hear the first 10 seconds of each track on the disc. Press this button again to restore the player to its normal play mode.

11. LOC/RPT BUTTON

LOCAL/DISTANCE MODE:

When in the radio mode, press them to select local or distance broadcast station receive sensitivity. The word LOC will appear on LCD during local state.

Attention: During AM mode, LOC is non-functional.

REPEAT MODE:

During CD mode. Press RPT button to repeat a single track.

12. LUD/RDM BUTTON

LUD MODE:

When reduce the volume to half level, press it to enhance the bass effect.

RDM MODE:

During CD mode, press " RDM " button and hold for 2 seconds, it display " RDM " and Random function performs.

13. EQ BUTTON

Press it to switch between 4 preset equalizer curves: FLAT, POP, CLAS, ROCK. The sound quality will be changed.

14. CLOCK ADJUSTMENT BUTTON

During frequency display, press it to change to clock function.

Press the button for more than 2 seconds, until time flashes. and you can adjust time now.

Press the tune **⏪** button or **⏩** continually to adjust Hours and Minutes, when adjustment is completed, press CLK button to resume normal play state and retain the adjustment

IMPORTANT:

MEMORY WIRE (FOR BACKUP) AND POWER WIRE CAN NOT BE SWITCHED OFF AT THE SAME TIME, ONCE IT HAPPENS, ALL THE FUNCTION WILL BE TOTALLY IN DISORDER (DISTORTED DISPLAY IS ALSO INDICATED).

IF IT REALLY HAPPENS, PLEASE FOLLOW THE INSTRUCTIONS AS MENTIONED BELOW:

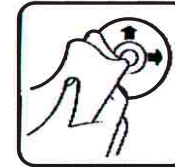
5 MINUTES LATER, PLEASE SWITCH ON THE MEMORY WIRE FIRST (CAN NOT PASS THROUGH IGNITION SWITCH) AND THEN SWITCH ON THE POWER. IT WILL RETURN TO NORMAL FUNCTION SOON.

DISC PLAY:

Cleaning discs

Before playing, clean the disc with a clean, lint-free.

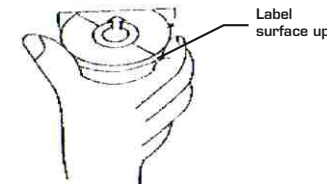
Flip the disc in the direction of the arrow.



NOTE:

. Do not use so solvents such as benzine, thinners. Commercially available cleaners or anti static spray damage the unit.

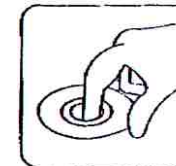
Insert a disc with the label surface down. Doing so may damage the unit.



NOTE:

. Do not try to insert another disc when one has been already inserted. Doing so may damage the unit.

.Handle the disc by its edge. And to keep the disc clean, do not touch the surface.



.Do not stick paper or tape on the disc.

.Do not expose the disc to direct sunlight or heat sources such as hot air ducts. Or leave it in a car parked in direct sunlight where there can be a considerable rise in temperature.

Free Manuals Download Website

<http://myh66.com>

<http://usermanuals.us>

<http://www.somanuals.com>

<http://www.4manuals.cc>

<http://www.manual-lib.com>

<http://www.404manual.com>

<http://www.luxmanual.com>

<http://aubethermostatmanual.com>

Golf course search by state

<http://golfingnear.com>

Email search by domain

<http://emailbydomain.com>

Auto manuals search

<http://auto.somanuals.com>

TV manuals search

<http://tv.somanuals.com>