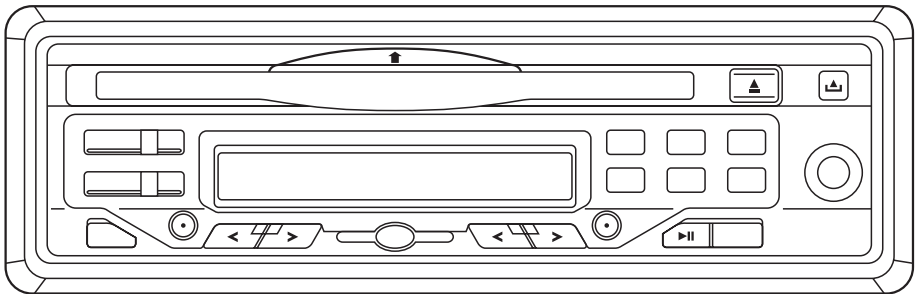


OWNER'S MANUAL

Mobile Audio System



- **PLL Synthesizer Stereo Radio**
- **Digital Compact Disc Player**
- **Automatically Memory Storing**
- **Full Detachable Panel**
- **Auxiliary Input Function**

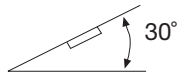
CONTENTS

Installation	3
DIN Front-Mount (Method A)	3
Installing the unit	3
Removing the unit	4
DIN Rear-Mount (Method B)	4
Using the Detachable Front Panel	5
Wiring Connection	6
Operation	7
General Operation	7
Radio Operation	8
CD Operation	9
Specification	10
Trouble Shooting	11

INSTALLATION

Notes:

- Choose the mounting location where the unit will not interfere with the normal driving function of the driver.
- Before finally installing the unit, connect the wiring temporarily and make sure it is all connected up properly and the unit and the system work properly.
- Use only the parts included with the unit to ensure proper installation. The use of unauthorized parts can cause malfunctions.
- Consult with your nearest dealer if installation requires the drilling of holes or other modifications of the vehicle.
- Install the unit where it does not get in the driver's way and cannot injure the passenger if there is a sudden stop, like an emergency stop.
- If installation angle exceeds 30° from horizontal, the unit might not give its optimum performance.



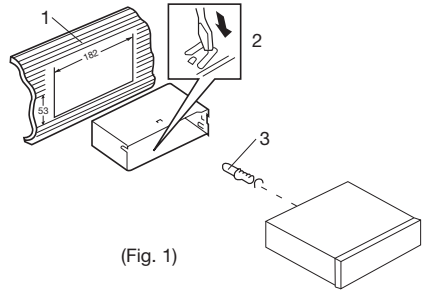
- Avoid installing the unit where it would be subject to high temperature, such as from direct sunlight, or from hot air, from the heater, or where it would be subject to dust, dirt or excessive vibration.

DIN FRONT/REAR-MOUNT

This unit can be properly installed either from "Front" (conventional DIN Front-mount) or "Rear" (DIN Rear-mount installation, utilizing threaded screw holes at the sides of the unit chassis). For details, refer to the following illustrated installation methods.

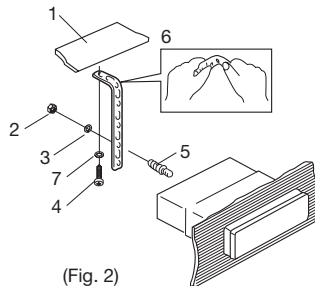
DIN FRONT-MOUNT (Method A)

Installing the unit



(Fig. 1)

1. Dashboard
2. Holder
After inserting the holder into the dashboard, select the appropriate tab according to the thickness of the dashboard material and bend them inwards to secure the holder in place.
3. Screw

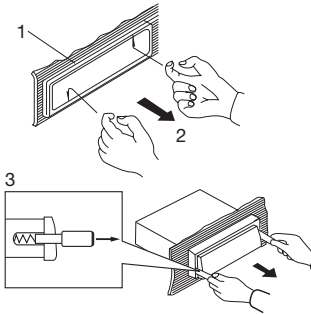


(Fig. 2)

1. Dashboard
2. Nut (5mm)
3. Spring washer
4. Screw (5 x 25mm)
5. Screw
6. Strap
Be sure to use the strap to secure the back of the unit in place. The strap can be bent by hand to the desired angle.
7. Plain washer

INSTALLATION

Removing the unit



1. Frame
2. Insert fingers into the groove in the front of frame and pull out to remove the frame. (When reattaching the frame, point the side with a groove downwards and attach it.)
3. Lever
Insert the levers supplied with the unit into the grooves at both sides of the unit as shown in figure until they click. Pulling the levers makes it possible to remove the unit from the dashboard.

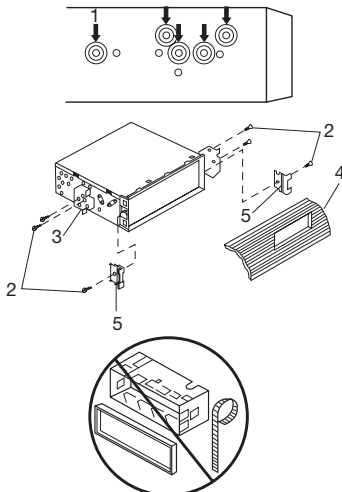
Fastening the unit to the factory radio mounting bracket.

1. Select a position where the screw holes of the bracket and the screw holes of the main unit become aligned (are fitted), and tighten the screws at 2 places on each side.
Use either truss screws (5 x 6mm) or flush surface screw (4 x 6mm), depending on the shape of the screw holes in the bracket.
2. Screw
3. Factory radio mounting bracket
4. Dashboard or Console
5. Hook (Remove this part)

Note: The mounting box, outer trim ring, and half-sleeve are not used for method B installation.

DIN REAR-MOUNT (Method B)

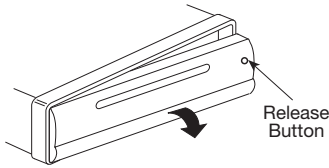
Installation using the screw holes on the sides of the unit.



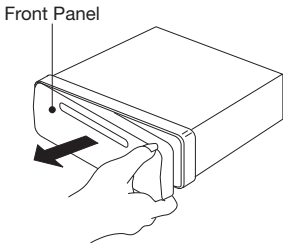
USING THE DETACHABLE FRONT PANEL

To Detach the Front Panel

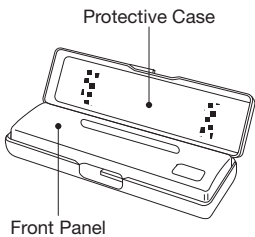
1. Press the release button (REL), then the right-hand side of the panel will be ejected.



2. Remove the front panel by pulling its right-hand side outward.

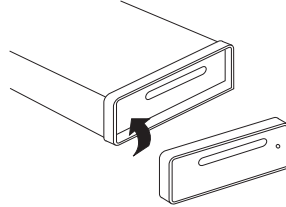


3. For safekeeping, store the front panel in the supplied protective case immediately after being removed.



To Reinstall the Front Panel

1. Push the front panel into the main body. A 'click' sound should be heard.

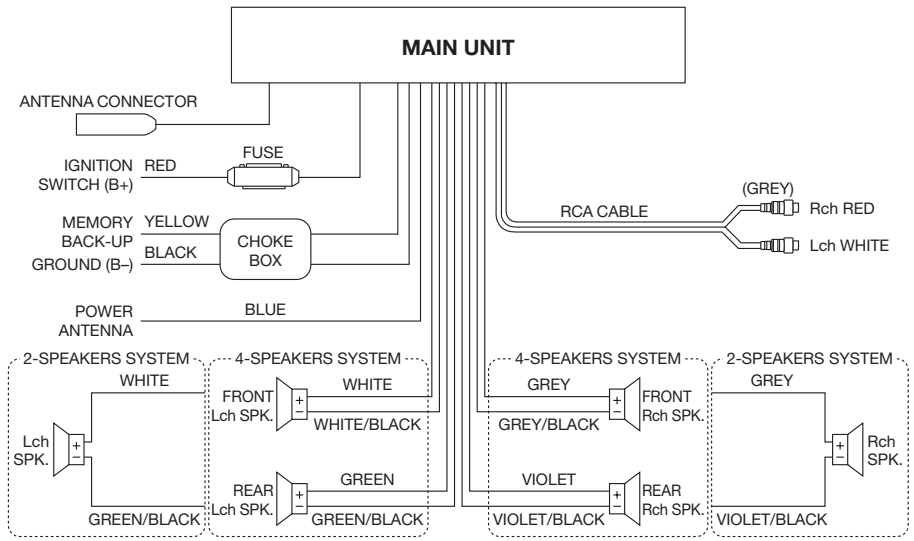


2. Note that if the front panel fails to lock in position properly, press control button may not function and LCD display may be missing some segments. Pressing the release button and then reinstall the front panel again.

Precautions when Handling

1. Do not drop the front panel.
2. Do not put pressure on the display or control buttons when detaching or reinstalling the front panel.
3. Do not touch the contacts on the front panel or on the main unit body. It may result in poor electrical contact.
4. If any dirt or foreign substances adhered on the contacts, they can be removed with a clean and dry cloth.
5. Do not expose the front panel to high temperatures or direct sunlight in anywhere.
6. Keep away any volatile agents (e.g. benzene, thinner, or insecticides) from touching the surface of the front panel.
7. Do not attempt to disassemble the front panel.

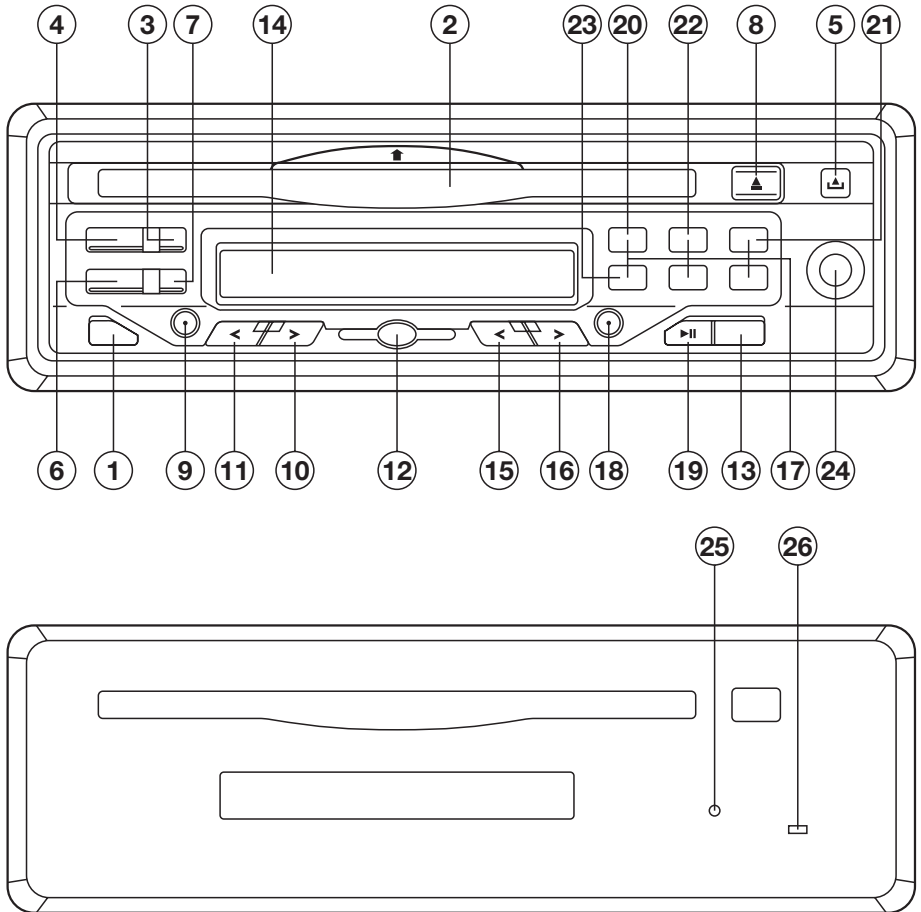
WIRING CONNECTION



Note:

1. For 2-speakers system, green, violet, white/black and grey/black wire leads are unconnected and isolated.
2. For 2-speakers system, keep the fader indicator at center position to maintain the existing volume level.

OPERATION



GENERAL OPERATION

• ON/OFF

Press the **PWR** button (1) to turn on. Press **PWR** again to turn it off.

• MUTE

Press the **MUT** button (3) to silence the receiver. Press again to resume listening.

• FACEPLATE RELEASE

Press **REL** button (5) to detach the removable faceplate.

• LOUDNESS

Press **LOUD** button (6) to increase bass output and display will show "LOUD".

• SET THE CLOCK

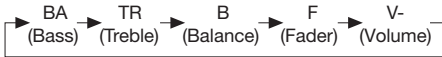
Press and hold the **DSP** button (7), the clock will show on the display, then press the **TRACK/TUNE** button > (16) to change minutes or **TRACK/TUNE** button < (15) to change hours.

• SELECT MODE

Press **SEL** button (9) to move display through bass, treble, balance, fader and volume functions.

OPERATION

Use **VOLUME** > (10) and **VOLUME** < (11) buttons to adjust the selected mode. When mode has not been adjusted for several seconds, display returns to normal radio or CD display.



- **SELECT LISTENING MODE**

Press **MOD** button (13) to choose desired listening mode.
(e.g. radio mode to CD mode to AUX IN mode)

- **LIQUID CRYSTAL DISPLAY**

Exhibit current frequency and activating functions on the display (14).

- **AUXILIARY INPUT**

The unit can be connected to a portable audio player through this jack (24).

- **LED**

When the front panel does not install on the main unit, the **LED** indicator (25) is flashing.

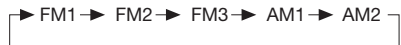
- **RESET**

Press **RESET** button (26) to re-initialize the unit in case abnormalities or malfunction is observed. When reset is activated, all preset station/program will be cleared. Reset button can be access by any pointed material.

RADIO OPERATION

- **SELECT BAND**

Press **BAND** button (12) to change between three FM bands and two AM bands. Each band stores up to six preset stations.



- **SELECT STATIONS**

Press **TRACK/TUNE** button < (15) or **TRACK/TUNE** button > (16) shortly to tune the frequency downward or upward by step. Hold it for several seconds to seek the previous or next station.

- **MONO/STEREO**

Press **MON** button (4) to select monaural or stereo (Mono reception for radio stations). You can sometimes improve reception of distant stations by selecting mono operation.

- **PRESET STATIONS**

The six buttons (17) store and recall stations for each band.

Store a station:

Select a band (12) and station, then hold a preset button for several seconds.

Recall a station:

Select a band (12), press a preset button to select stored station.

- **AUTOMATICALLY STORING & PROGRAM SCANNING**

Automatically Storing

Press and hold **AMS** button (18) for several seconds to toggle automatically storing function. It starts searching next frequency and stores the station into the preset memory. At the end of automatically storing operation, mode is changed to preset scan.

OPERATION

Preset Scanning

Press **AMS** button (18) shortly to toggle preset scanning function. During the scanning, it will stop at every stored station for several seconds and the frequency of station being scanned flashes on the display. Press it again to stop scanning.

• DISPLAY

During radio operation, press the **DSP** button (7) to recall the time display. Press it again or activating any tuning function, display will return to station frequency read-out.

CD OPERATION

• DISC PLAY

Push a compact disc with the label side facing up into the disc slot (2). When there have correspondingly showing on the display, press **▶||** button (19) to start playing with the first track of the disc. The digital display will indicate the track number and playing time.

During the playing, press **▶||** button (19) to temporarily stop the playing. Press **EJECT ▲** button (8) to stop CD play and eject CD from slot. Receiver switches to radio operation.

• SELECT TRACKS

In CD operation, press **TRACK/TUNE** button < (15) or **TRACK/TUNE** button > (16) to move to the previous track or the following track. Track number shows on display.

In CD operation, hold **TRACK/TUNE** button < (15) or **TRACK/TUNE** button > (16) to fast reverse or fast forward. CD play starts from when you release the button.

• PLAY THE FIRST TRACK

Press **TOP** button (20) to play the first track of the current disc.

• PREVIEW ALL TRACKS

In CD operation, press **SCN** button (22) to play first several seconds of each track on the current disc. Press it again to stop intro and recover normal playing.

• REPEAT THE SAME TRACK

In CD operation, press **RPT** button (21) to continuously repeat the same track. Press it again to stop repeat.

• PLAY ALL TRACKS

In CD operation, press **RDM** button (23) to play all tracks on current disc in random order. Press it again to cancel the function.

SPECIFICATION

GENERAL

Power Supply Requirements : DC 12 Volts, Negative Ground
Chassis Dimensions : 178 (W) x 155 (D) x 50 (H)
Tone Controls
- Bass (at 100 Hz) : + 10 dB / - 10 dB
- Treble (at 10 KHz) : + 10 dB / - 10 dB
Maximum Output Power : 4 x 40 Watts (max.)
Current Drain : 5 Ampere (max.)

CD PLAYER

Signal to Noise Ratio : More than 60 dB
Channel Separation : More than 60 dB
Frequency Response : 20 Hz - 20 KHz

RADIO

FM

Frequency Coverage : 87.5 to 107.9 MHz
IF : 10.7 MHz
Sensitivity (S/N = 30 dB) : 3 μ V
Stereo Separation : > 30 dB

AM

Frequency Coverage : 530 to 1710 KHz
IF : 450 KHz
Sensitivity (S/N = 20 dB) : 32 dBu

TROUBLE SHOOTING

Before going through the check list, check wiring connection. If any of the problems persist after check list has been made, consult your nearest service dealer.

Symptom	Cause	Solution
No power.	The car ignition switch is not on.	If the power supply is properly connected to the car accessory circuits, but the engine is not moving, switch the ignition key to "ACC".
	The fuse is blown.	Replace the fuse.
Disc cannot be loaded or ejected.	Presence of CD disc inside the player.	Remove the disc in the player, then put a new one.
	Inserting the disc in reverse direction.	Insert the compact disc with the label facing upward.
	Compact disc is extremely dirty or defective disc.	Clean the disc or try to play a new one.
	Temperature inside the car is too high.	Cool off or until the ambient temperature return to normal.
	Condensation.	Leave the player off for an hour or so, then try again.
No sound.	Volume is in minimum.	Adjust volume to a desired level.
	Wiring is not properly connected.	Check wiring connection.
Sound skips.	The installation angle is not more than 30 degrees.	Adjust the installation angle to less than 30 degrees.
	The disc is extremely dirty or defective disc.	Clean the compact disc, then try to play a new one.
The operation keys do not work.	The built-in microcomputer is not operating properly due to noise.	Press the RESET button. Front panel is not properly fixed into its place.
The radio does not work. The radio station automatic selection does not work.	The antenna cable is not connected.	Insert the antenna cable firmly.
	The signals are too weak.	Select a station manually.

www.pyleaudio.com

Free Manuals Download Website

<http://myh66.com>

<http://usermanuals.us>

<http://www.somanuals.com>

<http://www.4manuals.cc>

<http://www.manual-lib.com>

<http://www.404manual.com>

<http://www.luxmanual.com>

<http://aubethermostatmanual.com>

Golf course search by state

<http://golfingnear.com>

Email search by domain

<http://emailbydomain.com>

Auto manuals search

<http://auto.somanuals.com>

TV manuals search

<http://tv.somanuals.com>