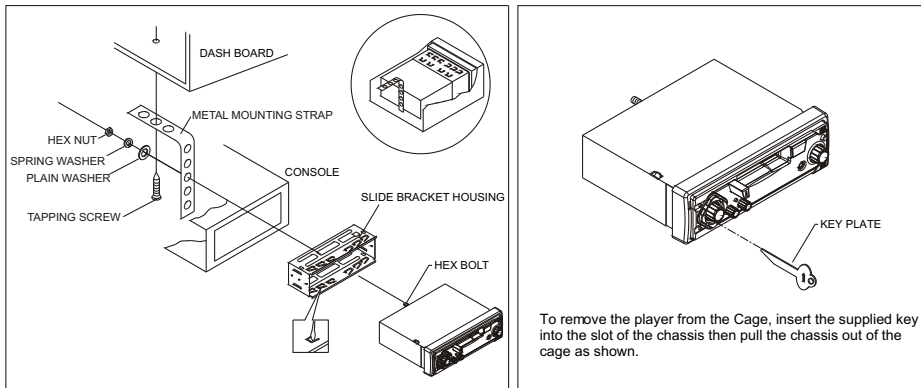


INSTALLATION

PRECAUTIONS

1. Choose the mounting location carefully so that the unit will not interfere with the normal driving functions of the driver.
2. Avoid installing the unit where it would be subject to high temperatures, such as from direct sunlight or hot air from the heater, or where it would be subject to damp, dust, dirt or excessive vibration.
3. Use only the supplied mounting hardware for a safe and secure installation.



SPECIFICATION

GENERAL

Power Supply Requirements
Unit Dimensions

DC 12Volts. Negative Ground.
178[W]X150[D]X50[H] mm.

FM SECTION

Frequency Range

88MHz - 108MHz.

AM SECTION

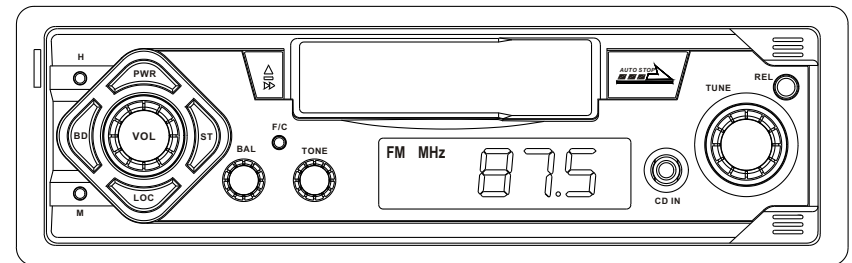
Frequency Range

530KHz - 1700KHz.

PYLE[®] plus

AT-3040

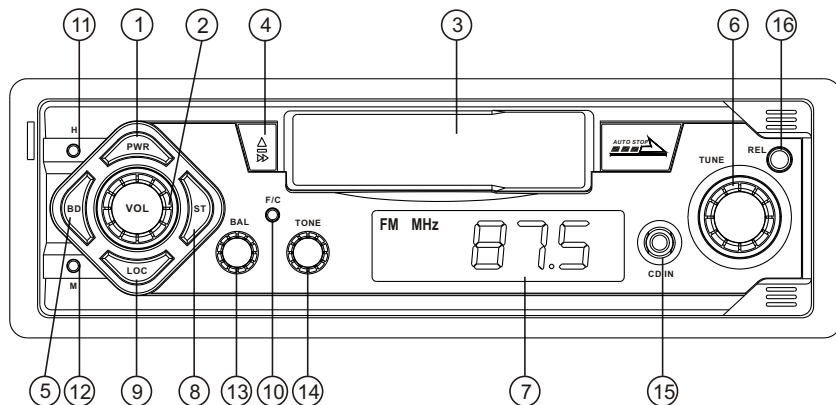
INSTRUCTION MANUAL



**THEFT DETERRENT DETACHABLE SYSTEM
AUTO-STOP CAR CASSETTE PLAYER
AM/FM 2 BAND LCD DISPLAY TUNING RADIO**

www.pyleaudio.com

LOCATION AND FUNCTION OF CONTROLS



1. POWER ON/OFF BUTTON

Press this button to turn the power supply on or off.

2. VOLUME CONTROL

Slide this control up or down to increase or decrease the volume level.

3. CASSETTE TAPE DOOR

In RADIO mode, insert a cassette into this slot, the tape playback starts automatically.

4. EJECT KEY

In TAPE mode, push this key half way to fast forward, and fully to stop tape playback and release cassette tape. The car radio cassette player will automatically go into radio mode.

5. BAND SELECTOR BUTTON

Each press for AM / FM reception. The character of band which has been selected will be visible on the display indicating the status of tuning.

6. TUNING CONTROL

Rotate this control at radio mode to select your desired radio broadcasting station within AM/FM. While the frequency appears on the display.

7. LCD DISPLAY

8. MO/ST BUTTON

This operation is effective on FM reception only. In RADIO mode, press this button to change between mono or stereo sound effect. The ST will appear on the display while there is a strong signal from an FM station that is broadcasting in stereo. Mono improves the reception of the distant stereo FM stations.

9. Local/Distance Reception Button

This operation is effective on FM reception only. In RADIO mode, press this button to change between local and distant reception. Press LOC to improve local reception in some areas where the signal is too strong. Press LOC to improve distant reception when you are located at a weak signal location.

10,11& 12. CLOCK DISPLAY AND SETTING BUTTON

Press F/C at radio or tape mode for frequency or clock display.

Time setting:

With time appeared on the LCD display, press and hold F/C button, then press the H and M button at the same time to adjust hour and minute.

13. BALANCE CONTROL

Rotate this knob to adjust the audio output balance of left and right speaker.

14. TONE CONTROL

Rotate this knob to adjust the TONE sound effect.

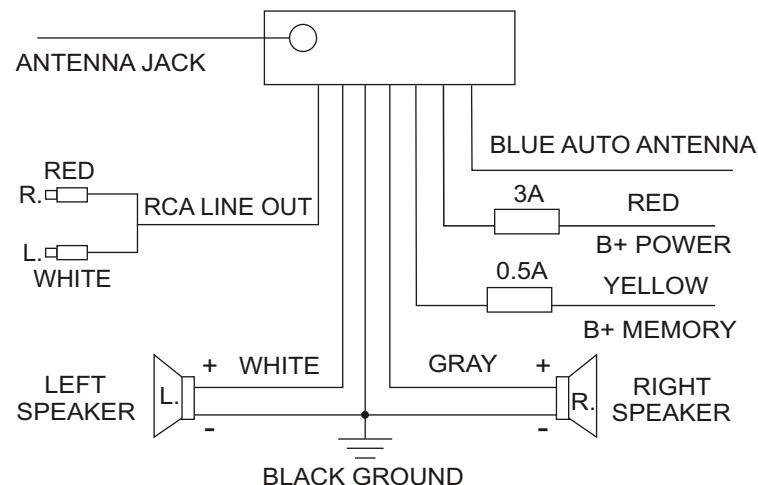
15. EXTERNAL CD INPUT JACK

This car radio cassette player can be connected to a portable CD player through this jack.

16. RELEASE BUTTON

Press this button to eject the detachable front face panel from the chassis.

WIRING DIAGRAM



NOTE:

Speakers with load impedance less than 4 ohms could damage the equipment. Make sure use a speaker with 4 ohms load impedances to reduce the distortion during high volume level.

Free Manuals Download Website

<http://myh66.com>

<http://usermanuals.us>

<http://www.somanuals.com>

<http://www.4manuals.cc>

<http://www.manual-lib.com>

<http://www.404manual.com>

<http://www.luxmanual.com>

<http://aubethermostatmanual.com>

Golf course search by state

<http://golfingnear.com>

Email search by domain

<http://emailbydomain.com>

Auto manuals search

<http://auto.somanuals.com>

TV manuals search

<http://tv.somanuals.com>