

TV TUNER SYSTEM

PYLE[®] **view**

PLTK300

OWNER'S MANUAL

CONTENTS

We very thank for your purchase.

Please read this user's Manual in detail and use the set properly.

Precautions.....	3
System features and controls.....	4
Installation and electrical connections.....	5
Remote Function.....	7
Selecting the input mode.....	7
Programming channels for TV.....	7
Selecting channels and adjusting the sound.....	8
Providing A/V audio to your car radio.....	8
Transmitting audio to your car radio.....	9
Changing the remote battery.....	10
Specifications.....	10

Selecting channels and adjusting the sound

Use the CH+ and CH- buttons for selecting channels. Use the VOL+ and VOL- buttons to increase or decrease audio volume. You will see a Volume Bar on screen indicating relative volume level. Pressing the MUTE button will disable the audio output. To cancel the muting function, press MUTE again.



Please note :VOL+, VOL- and MUTE buttons are of no effect in AV mode.

Providing A/V audio to your car radio

This system offers you two ways of playing the A/V audio through your car radio system. If your radio has AUX line-level inputs, you can attach the A/V audio output connectors to these inputs with RCA-RCA interconnect cables.

If your car radio lacks these AUX line level input, your other option is to use the tuner audio transmission ability to broadcast the audio signal within your car directly to the radio FM modulation.

8

Installation and Electrical Connections

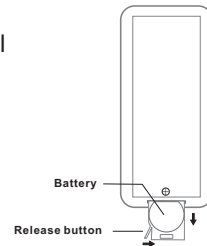
1. Find a suitable location for the tuner unit and mount it securely in place. Be sure to place it in an area away from moisture and dirt, and where incoming cables will not be walked on or pulled accidentally.
2. Make all required audio, video and power connections to the appropriate connectors on the tuner as indicated in the drawing below to suit your system installation. Install the infrared remote eye in a located you know will be available in line-of-sight with the remote control use location.

Please note that the drawing below describes connections for all system possibilities and your particular system may vary from this.

5

Changing the battery in the remote

1. The remote battery is held in a small drawer on one edge of the remote. To open this drawer, press and hold the small button on the edge of this drawer (as show below) and slide the drawer out
2. Insert a new battery and push the drawer back fully into the remote.



Specifications

Signal System	NTSC
Audio/Video Inputs	Audio R/L× 2, Video×2
Audio/Video Outputs	Audio R/L×1, Video×1
FM transmitter	4 Channel FM(87.7/87.9/88.1/88.3MHz)
TV Channel	Channels 2-81
Tuner Box, Overall Dimensions	(L)7×(W)4.5×(H)1.1 inch
Tuner Box, Weight	0.47Kg

10

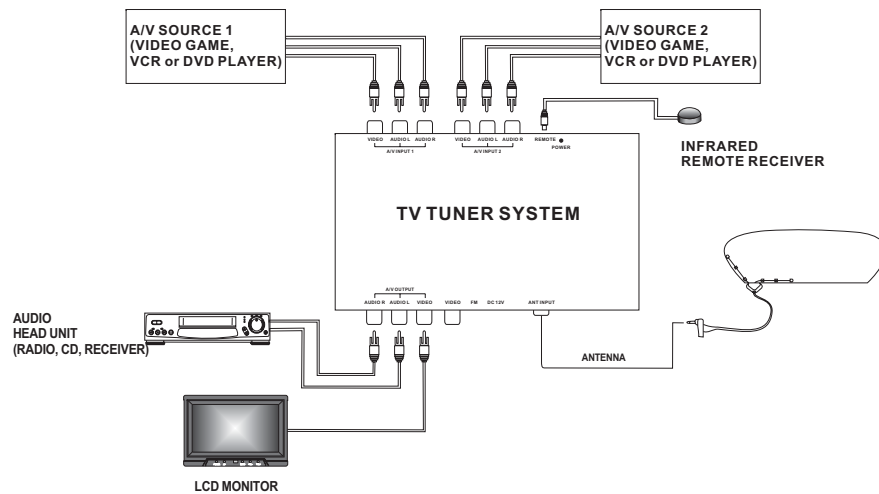
Precautions

Please read this manual completely and carefully prior to attempting to install the equipment.

1. Do not operate this equipment while-safe driving should always be your highest priority.
2. Do not install these components in an area which are susceptible to rain, moisture, direct sunlight, extreme heat or cold, excessive dust, dirt or humidity.
3. Immediately unplug the power cord and send the monitor to your local dealer or service center as soon as possible:
 - a) If there is smoke or any peculiar odor present during use.
 - b) If there is damage to any of the component casings.
4. To avoid damage and risk of electronic shock, do not permit this equipment to become damp or wet from water or drinks. If this dose occur, immediately unplug the power cord and send the unit to your local dealer or service center as soon as possible.
5. Do not attempt to repair, open or disassemble any of the components. Dangerous high voltages are present which may result in electric shock.
6. Use only a power source with 12 Volts DC (negative ground).
7. Do not place objects on or suspend objects from the power cord, as this may damage the cord.
8. Do not twist or place the power cord near any source of heat in the vehicle.
9. Do not attempt to repair a damaged, broken or faulty power cord. Replace it with a new one immediately.

3

Connection



6

Remote function

1. POWER: Power on/off
2. MENU: In AV mode push the MENU button to access on screen menu. There are three menus. Using CH- or CH+ button to move on screen point to next or previous command item. And use VOL+ or Vol- button to increase or decrease current option value. In TV mode MENU is invalidated.

Selecting the input mode

Tuner can switch between three different video sources using the remote control. There mode are as follows:

TV Mode: for receiving TV Channels

AV1: external audio and video inputs for DVD, VCD or video game

AV2: external audio and video inputs for DVD, VCD or video game

Programming channels for TV

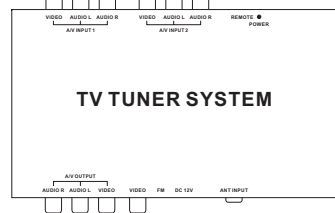
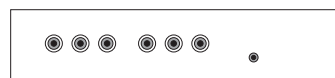
The tuner system can memorize channels in both TV mode. Press the AUTO button on the remote, the tuner will begin scanning all of the available channels and put then into memory.



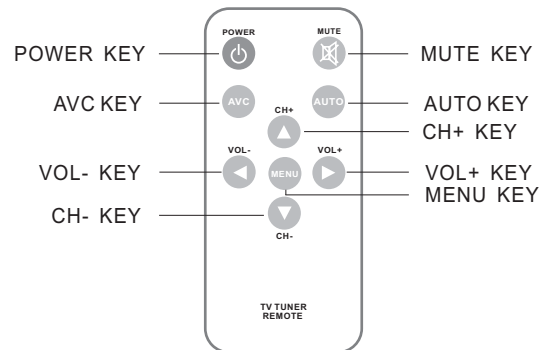
7

SYSTEM FEATURES AND CONTROLS

Tuner Box



REMOTE CONTROL



4

Transmitting audio to you car radio

This tuner system is able to transmit the audio signal car radio in the FM radio spectrum. By tuning your radio to a corresponding channel, you can listen to the audio from your program source. This function is particularly important when installing in a car whose radio lacks AUX line level inputs.

Push the MENU button to access OSD . Using CH+ or CH- button, scroll to SYSTEM and use VOL+ or VOL- button to set SYSTEM as SYS 1.(FM TRANSMITTER is effective in SYS1.) You should be able to hear your AV audio system . If you do not, go back into the fm mode of the menu system and select FM channel to broadcast your video sound thru your car radio. If you stop broadcasting your video sound thru your car radio , turn the FM band to any other channel or enter the menu and select SYS2 in the SYSTEM menu.

The FM Channel can be selected from 87.7MHz to 88.3MHz .The Frequency Selector Slide Switch was set 87.7MHz at the factory. You can change the position of the Frequency Select switch on the side of the tuner.

FREQUENCY SELECTOR SWITCH

1	2	Frequency(MHz)
☐	☐	87.7MHz
☐	☐	87.9MHz
☐	☐	88.1MHz
☐	☐	88.3MHz

9

Free Manuals Download Website

<http://myh66.com>

<http://usermanuals.us>

<http://www.somanuals.com>

<http://www.4manuals.cc>

<http://www.manual-lib.com>

<http://www.404manual.com>

<http://www.luxmanual.com>

<http://aubethermostatmanual.com>

Golf course search by state

<http://golfingnear.com>

Email search by domain

<http://emailbydomain.com>

Auto manuals search

<http://auto.somanuals.com>

TV manuals search

<http://tv.somanuals.com>