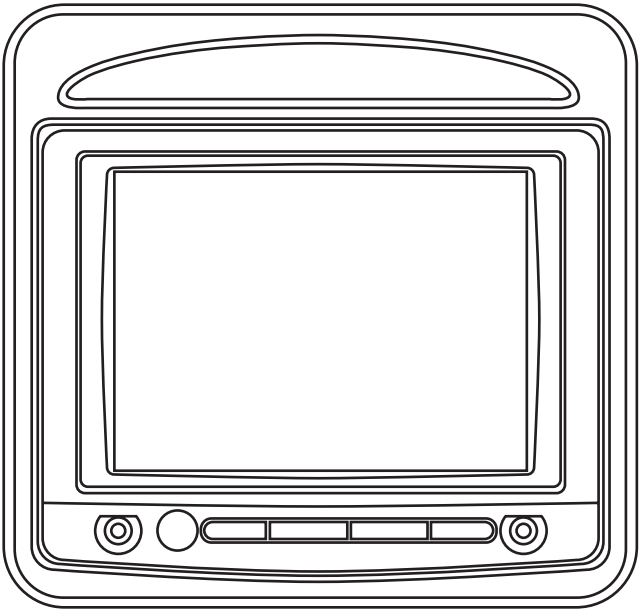


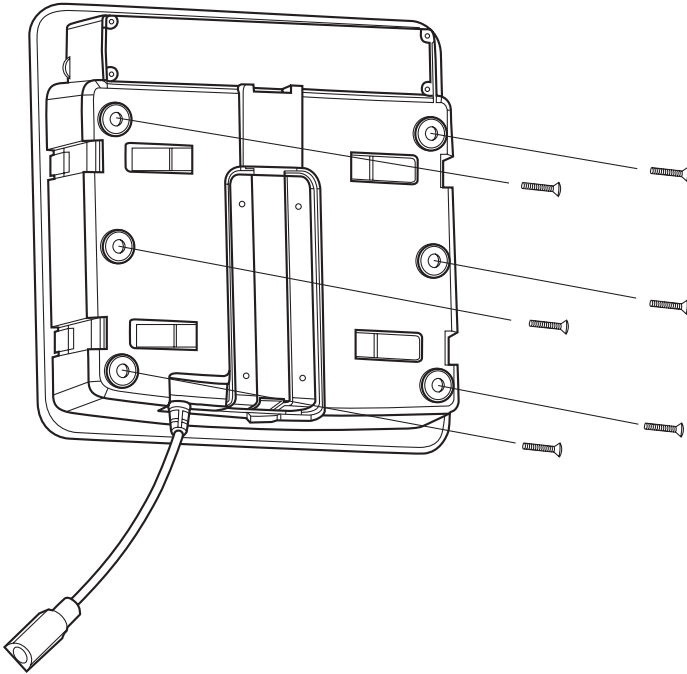
OWNER'S MANUAL

MONITOR

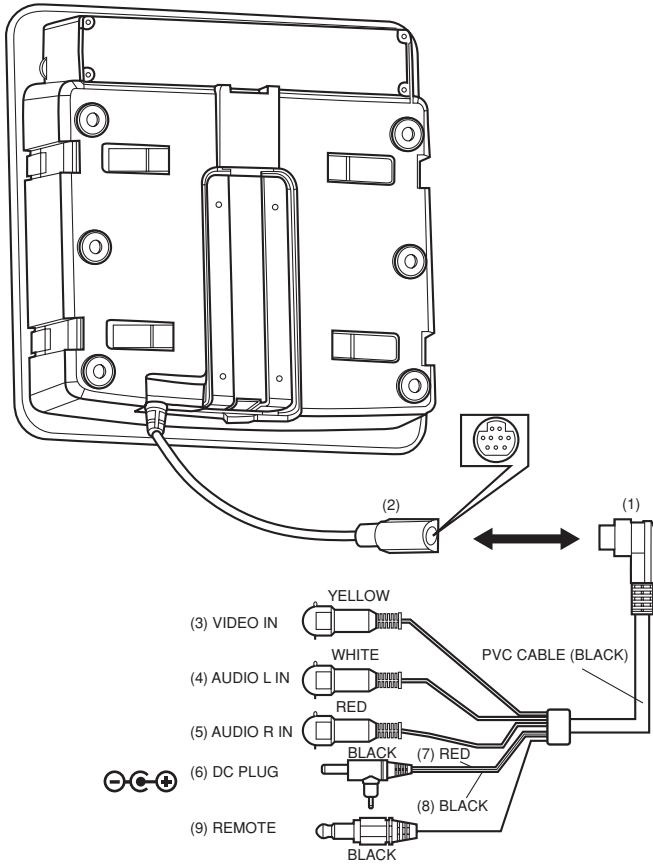


INSTALLATION

The monitor is installed on the seat back of the car. First drill six holes on the seat back according to the hole positions on the back of the monitor. Then use six screws to fix the monitor to the seat back.



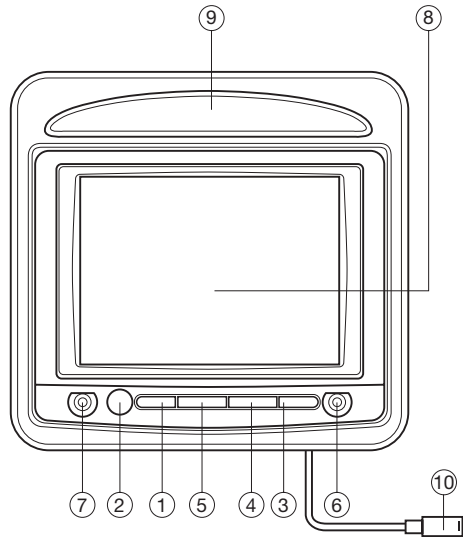
ELECTRICAL CONNECTION



CAUTION:

1. The monitor is connected to DVD or other unit through the cable with 9-pin mini din plug. Put the 9-pin mini din plug (1) into the 9-pin mini din socket (2) of the monitor.
2. The yellow VIDEO IN socket (3) is connected to the VIDEO OUT socket of the DVD or other unit. The white AUDIO L IN socket (4) is connected to the AUDIO Out-Left socket and the red AUDIO R IN socket (5) is connected to the AUDIO Out-Right socket.
3. When you want to let the unit work, please cut the (7) and (8) two wires from the DC plug (6). Then connect the red wire (7) to the positive (+) terminal of the power supply and the black wire (8) to the negative (-) of the power supply.
4. The black (9) REMOTE plug is connected to DVD or other unit.

CONTROL & FUNCTION KEYS



Type A: Monitor with Infrared Box

1. POWER

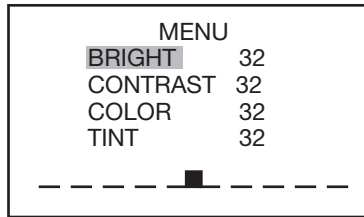
Press **POWER** button (1) to turn on the unit. Press it again to turn it off.

2. IR (=REMOTE SENSOR)

Through the remote sensor **IR** (2), you can control DVD unit or another unit that connected to the monitor through the 9-pin plug with the corresponding remote handset.

3. PICTURE

Press the **PICTURE** button (3) to show the menu on the display (8), repeatedly press **PICTURE** button (3) to select among BRIGHT, CONTRAST, COLOR and TINT items.



Press **VOLUME+** button (4) or **VOLUME-** button (5) to increase or decrease the value of the corresponding item.

4. VOLUME+

Press the **VOLUME+** button (4) to increase volume level of the speaker.

5. VOLUME-

Press the **VOLUME-** button (5) to decrease volume level of the speaker.

6. JACKS FOR EARPHONE

There is a jack EAR. (6) for earphone. You can connect earphone to the jack to receive sound signal.

7. AV INPUT

The group of jacks **AV INPUT** (7) is used for AUDIO R in and AUDIO L in and VIDEO in. When there are both VIDEO/AUDIO INPUT from the jacks (7) and the 9-pin din plug that connected to the monitor through the 9-pin din socket (see Electrical Connection), the VIDEO/AUDIO INPUT from the jacks (7) on the front view of the monitor has the priority.

8. TFT LIQUID CRYSTAL DISPLAY

The 5 inch color **TFT LCD** (8) can show the current state of the unit.

9. INFRARED TRANSMITTING WINDOW

There are six infrared transmitting lights inside the window (9), the user can put on the infrared wireless headphones supplied with the unit and hear the sound signal emitting from the window (9).

10. 9-PIN MINI DIN SOCKET

The socket is connected to the 9-pin din plug. It is used for AUDIO IN, VIDEO IN and power supply input. Trough the socket (10), you can connect audio/video system to the unit.

www.pyleaudio.com

88-T1323-03

Free Manuals Download Website

<http://myh66.com>

<http://usermanuals.us>

<http://www.somanuals.com>

<http://www.4manuals.cc>

<http://www.manual-lib.com>

<http://www.404manual.com>

<http://www.luxmanual.com>

<http://aubethermostatmanual.com>

Golf course search by state

<http://golfingnear.com>

Email search by domain

<http://emailbydomain.com>

Auto manuals search

<http://auto.somanuals.com>

TV manuals search

<http://tv.somanuals.com>