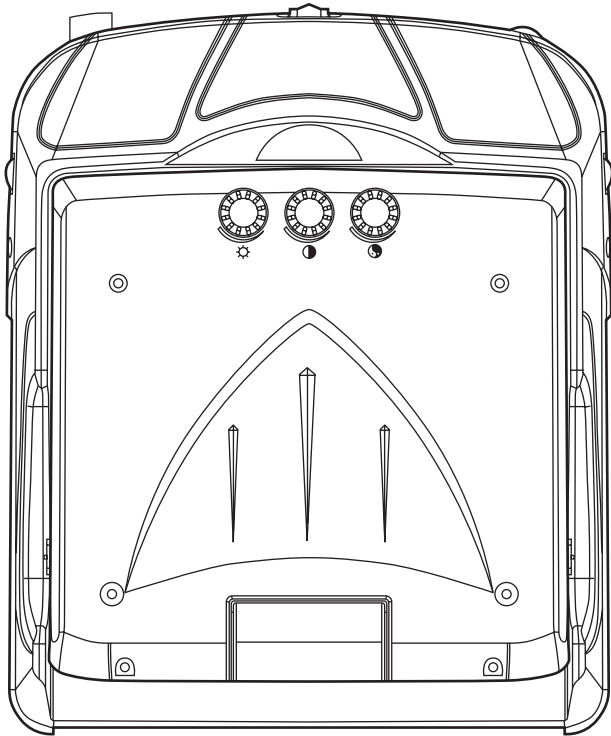


OWNER'S MANUAL

FLIP DOWN TFT MONITOR



INSTALLATION

Desk-top Installation

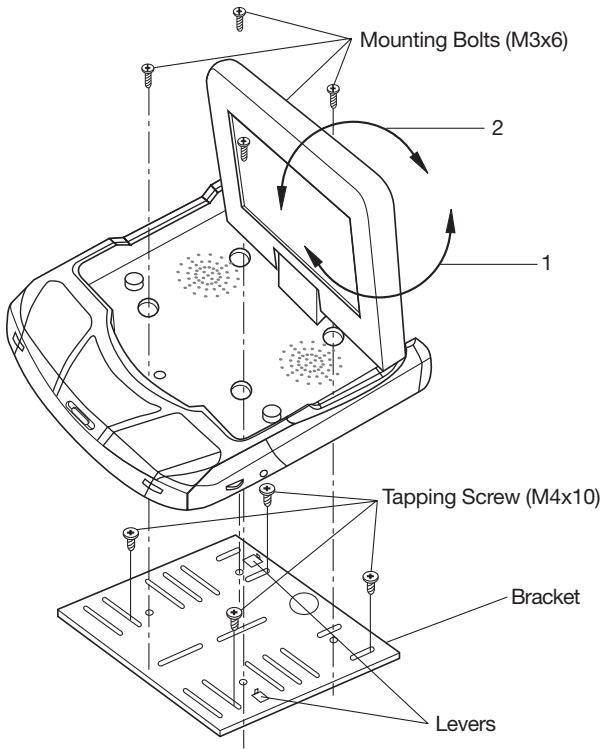


Fig. 1

1. Determine the mounting location and drill four mounting holes.
2. Attach the bracket to the holes with the tapping screws (M4x10).
3. Let the two levers aim at the fixing holes on the bottom of the base to fix the display unit.
4. Attach the TV unit to the preferred location with the mounting bolts (M3x6).
5. For the convenience of fixing the unit, you can turn the display left or right to show the holes on the base.
(See the arrowhead symbol named 1).
6. When the installation has completed, you can turn the display upward or downward, left or right to adjust the viewing angle.
(See the arrowhead symbol named 2 and 1).

INSTALLATION

Ceiling-on Installation

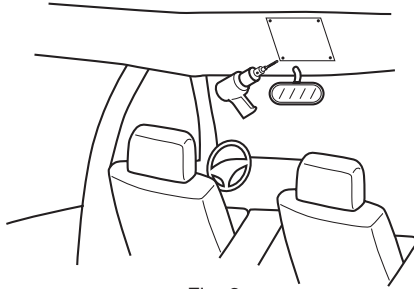


Fig. 2

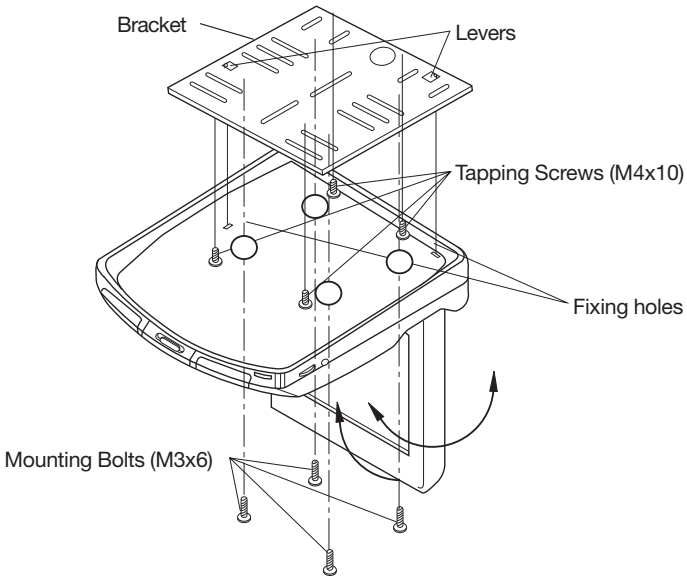



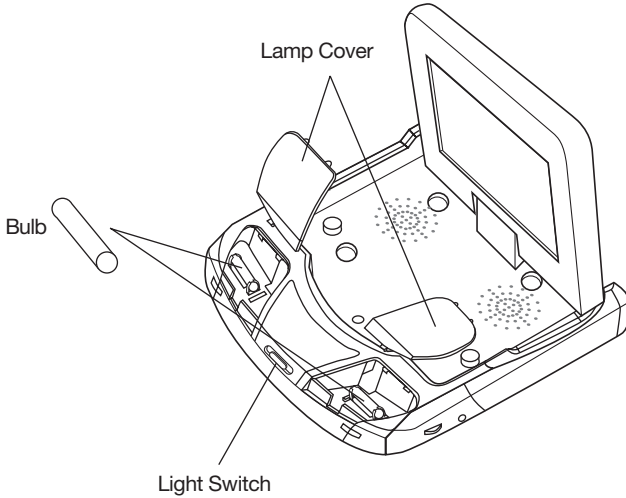
Fig. 3

1. Determine the mounting location and drill four mounting holes (see Fig.2).
2. Attach the bracket to the holes with the tapping screws (M4x10).
3. Let the two levers aim at the fixing holes to fix the display unit.
4. Attach the unit to the bracket with the mounting bolts (M3x6).
5. When the installation has completed, you can also turn the display upward or downward, left or right to adjust the viewing angle. (See the arrowhead symbol).

REPLACING THE CAR DOME LAMP

Follow the directions show below for a new lamp changing.

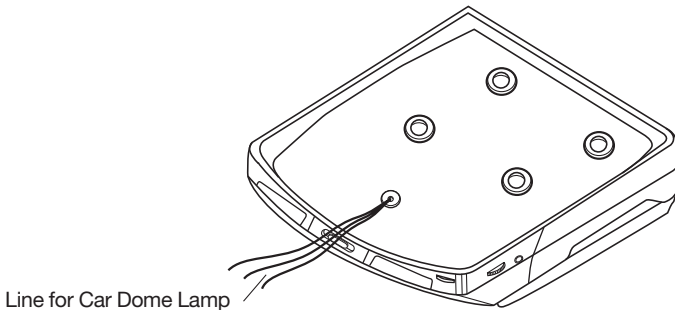
1. Position light switch to “”.
2. Push back the lamp cover and open it. (Refer to the following figure)
3. Remove and discard the old lamp.
4. Install a new bulb.
5. Close the cover.



Bulb Specification

Diameter: ø8mm
Length: 28mm
Voltage Spec.: DC12V, 5W

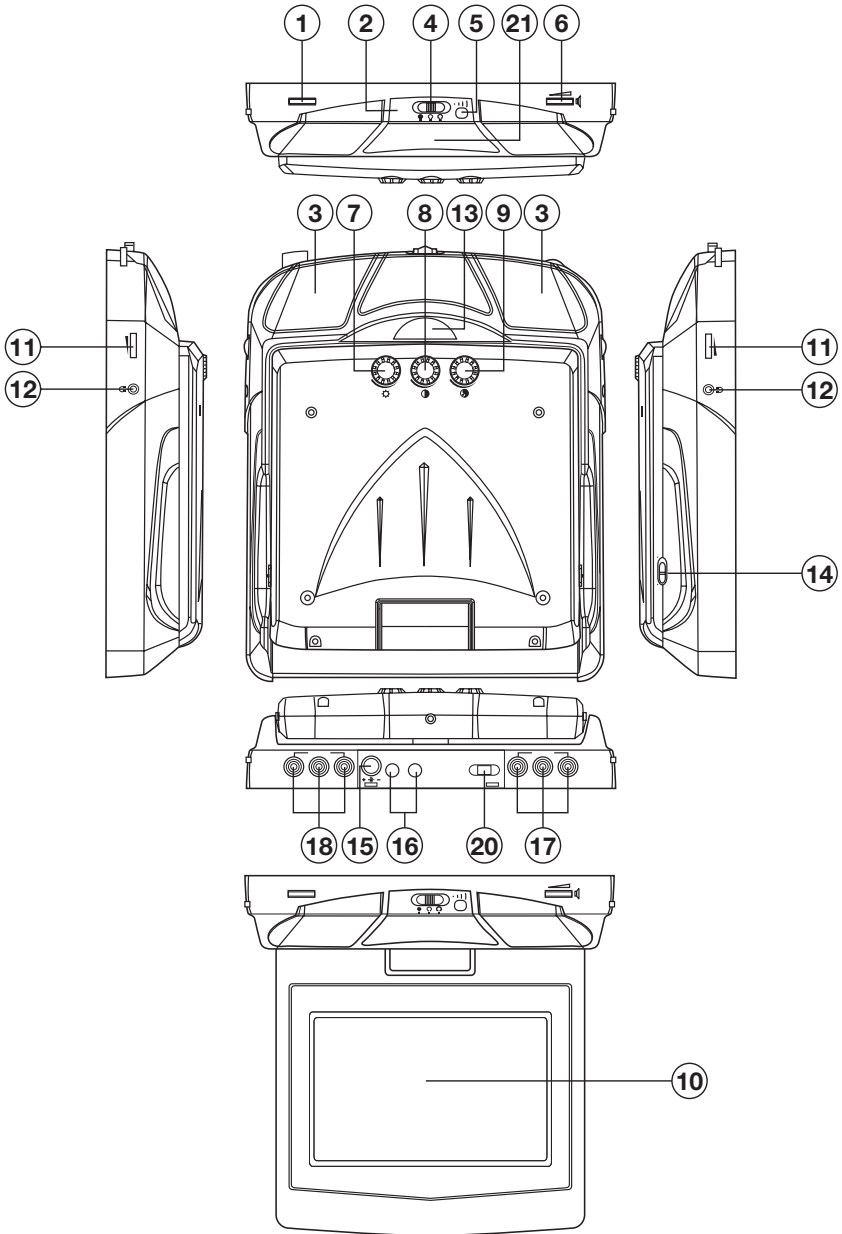
CAR DOME LAMP WIRING



Note:

Color	Connection
Red	Power Supply
White	Interior Light System
Black	Ground

CONTROL & FUNCTION KEYS



7" INCH TFT COLOR MONITOR

MONITOR




1. & 2. (POWER) and POWER INDICATOR LIGHT




When the unit is provided DC 12V power, press POWER button (1) to turn on the unit. And then the power indicator light (2) will be illuminated red. Press it again to turn it off.

3. CAR DOME LAMP

The two car dome lamps (3) will be on in some needed situations.

4. LIGHT SWITCH

There are three settings for the car dome lamp operation:  (OFF),  (AUTO), and  (ON), refer to light switch (4).

- A.  To turn off the lamp.
- B.  To make the lamp turned on only when car doors are opened.
- C.  To turn on the lamp.

6. SPEAKER VOLUME CONTROL KNOB

Slide the switch (6) left or right to increase or decrease the volume level of the speakers on the base of the unit. When slide the switch in the direction of volume decreasing to the end, it will turn off the speakers.

7. BRIGHT ()

Rotate the bright knob (7) clockwise or counter-clockwise to increase or decrease the screen brightness.

8. CONTRAST ()

Rotate the contrast knob (8) clockwise or counter-clockwise to increase or decrease the contrast lever of the screen display.

9. COLOR ()

Rotate the color knob (9) clockwise or counter-clockwise to increase or decrease the color level of the screen display.

10. TFT LIQUID CRYSTAL DISPLAY

The 7-inch color TFT LCD (10) can show the current state of the unit.

11. EARPHONE VOLUME CONTROL KNOB

Slide the knob (11) will change the volume of the earphone.

12. JACKS FOR EARPHONE

There are two jacks (12) for earphone. You can connect PLVH2 of the jacks to receive sound signal.

13. PUSH (Monitor Release Button)

Opening the Monitor

Press the PUSH button (13) to eject the screen display from the base at a little angle. Then you can easily turn the display upward or downward for good viewing. The monitor also can be adjusted through 30 degree both left and right from the central viewing position

Closing the Monitor

Return the monitor to the central viewing position. Then push the monitor back into the monitor base unit until the screen engages with PUSH button (13) .

14. DISPLAY DIRECTION CONTROL SWITCH

The switch (14) should be dialled to DOWN side or UP side to adjust the direction of the picture display and get user's needed viewing effect.

15. DC 12V INPUT

Through this jack (15), provide DC 12V power supply to the unit.

16. SENSOR

When connect DVD unit or another unit to the monitor through these two jacks (16), you can control the DVD unit or another unit by pointing the remote control handset directly to the remote sensor (5).

17. AV1 IN

The group of jacks (17) is used for AUDIO R in and AUDIO L in and VIDEO in.

18. AV2 IN

The group of jacks (18) is also used for AUDIO R in and AUDIO L in and VIDEO in.

20. AV SELECT SWITCH

Slide the switch (20) to left side or right side to select between AV1 mode and AV2 mode.

21. INFRARED TRANSMITTING WINDOW

There are six infrared transmitting lights inside the window (21), the user can put on the infrared wireless headphones supplied with the unit and hear the sound digital signal emitting from the window (21).

OWNER'S MANUAL

INFRARED HEADPHONE



INFRARED HEADPHONE

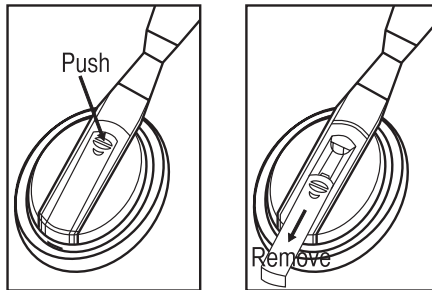
This infrared headphone is supplied with the main unit that has the infrared transmitting function. The user can put on the infrared headphone within proper range to hear the sound signal emitting from the infrared transmitting window of the main unit.

Operation for the headphone batteries

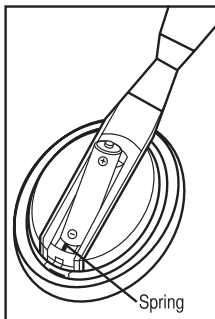
Two Size AA (1.5V) batteries are required to operate the headphones. Rechargeable batteries with a sufficiently high voltage can be used as well. Choosing batteries with a high capacity (mAh) will extend operating time. There are two battery compartments, located on both sides, each housing one battery.

Installing the headphone batteries:

1. To access each battery compartment, push on the edge of the battery lid. This will release the battery lid. Then remove the lid to gain access to the battery compartment.



2. Insert the battery by pressing the minus pole of the battery against the spring on the battery compartment until the plus pole can slide into the battery compartment. The battery should snap into place.



Be sure to only use batteries with a well formed plus pole to ensure proper contact between the plus pole of the battery and the plus pole inside the battery compartment and also to ensure that the battery will not slide out of the battery compartment unintentionally.

3. Finally, close the battery lid by pushing it into the slot. It should snap into the closed position.

Removing the headphone batteries:

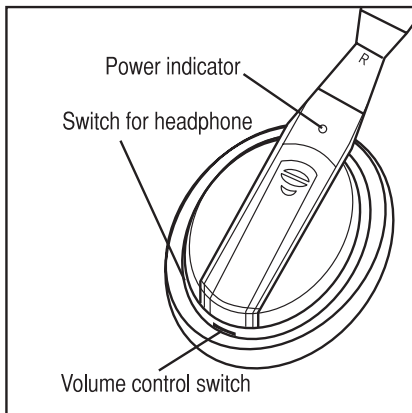
To remove the batteries, open the battery lid as described above and pull the battery out of the battery compartment by pushing the battery towards the spring until the plus pole is released and slides out.

ATTENTION!

Never leave batteries inside the headphones for very long periods of time to prevent any damage to the headphones from leaking batteries. Dispose of spent batteries conforming to local waste disposal rules.

Check the remaining power of the headphone' s battery:

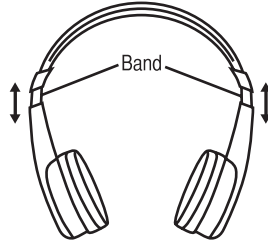
When install two batteries into the battery compartments, switch on the headphone by slide the switch to "ON" position. Check that the headphone's power indicator lights in red. You can now use the headphone. Charge the battery or install a new dry battery, if the power indicator light is weak or turned off and the sound becomes distorted or has a lot of noise.



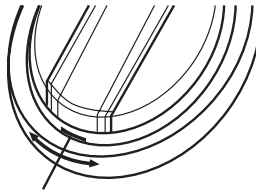
Listening to a program

When the main unit is working, it will automatically transmit the audio signal, and then you can use the infrared headphone to listen to a program.

1. Set the volume control of the headphone to minimum then switch on the headphone. And then put on it. The length of the headphone's band can be adjusted to your need.



2. Adjust the volume.
Slowly increase volume level. After each use, be sure to switch off the headphone to extend battery life.



Volume control switch

ATTENTION!

Listening over headphone at high audio levels can cause hearing impairments! Also, switching on or off the headphone can cause loud clicks and pops that can impair your hearing! Therefore, always set the volume control minimum.

www.pyleaudio.com

88-T1342-05

Free Manuals Download Website

<http://myh66.com>

<http://usermanuals.us>

<http://www.somanuals.com>

<http://www.4manuals.cc>

<http://www.manual-lib.com>

<http://www.404manual.com>

<http://www.luxmanual.com>

<http://aubethermostatmanual.com>

Golf course search by state

<http://golfingnear.com>

Email search by domain

<http://emailbydomain.com>

Auto manuals search

<http://auto.somanuals.com>

TV manuals search

<http://tv.somanuals.com>