

Monitor Plate Attachment

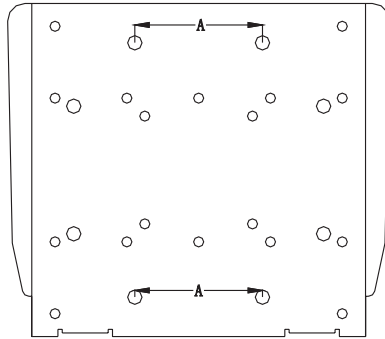
If the monitor is VESA compliant, bolt the Monitor Plate directly to the monitor, as described in Step 3.

If the monitor is not VESA compliant, bolt the Monitor Plate to the Adaptor Plate (sold separately) using the following mounting pattern (fig. 6):

Caution: Never force screws into the monitor, as damage may occur. NEVER use an electric drill to secure screws.

Complete the installation as per Steps 4 & 5.

Fig. 6



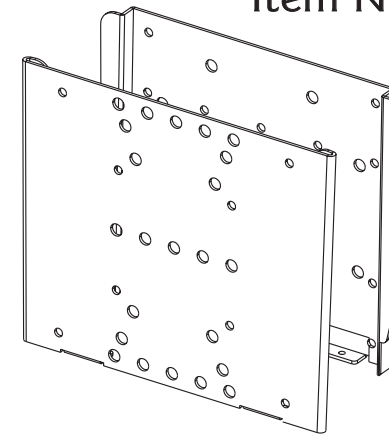
Caution : This Product LCD /Plasma Wall Mount Bracket is intended for use only with the maximum weights indicated .See apparatus instructions .Use with products heavier than the maximum weights indicated may result in instability causing possible injury .



Flat Panel Fixed Mount

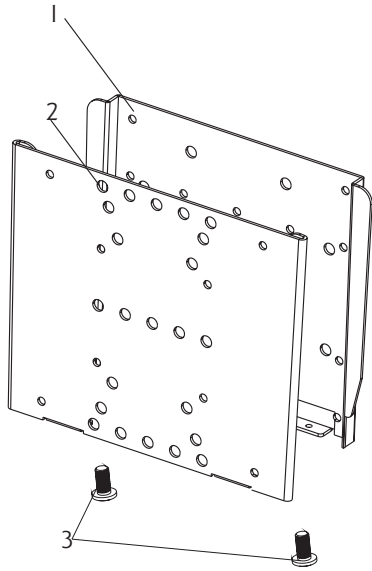
INSTALLATION GUIDE

Item No.:PWL B008

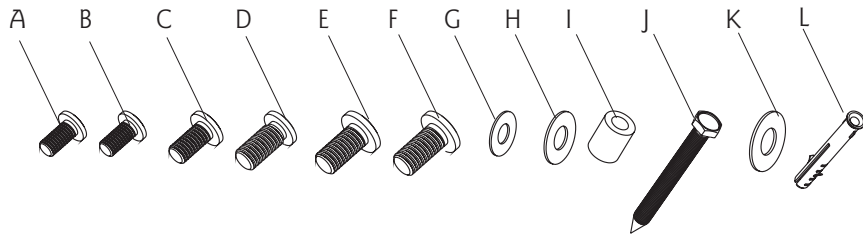


- TV size range: 10"–37"
- Universal VESA mount
- Low profile: only 19mm from wall
- Easy to install: sliding plate operation
- Max load capacity:25Kg/55lbs

Parts:



Letter	Qty	Description
1	1	Monitor Plate
2	1	Wall Plate
3	2	Safety bolt
A	4	M4X12 bolt
B	4	M4X25 bolt
C	4	M5X12 bolt
D	4	M5X25 bolt
E	4	M6X12 bolt
F	4	M6X25 bolt
G	4	M5 washer
H	4	M6 washer
I	4	9/16" spacer
J	3	Long bolt
K	3	Long bolt washer
L	3	Wall anchor



Optional Installations

In addition to being used as a flat panel wall mount, the mount can also be used in conjunction with other products.

When used between a Cantilever and a flat panel display, this mount creates a quick disconnect mount.

Wall Plate Attachment

Install the Wall Plate onto the other product using one of the following mounting patterns (fig. 5):

1. PSW123S (VESA 100)
2. PSW123L
3. PSW123S (VESA 200)

Proceed to Monitor Plate Attachment on next page.

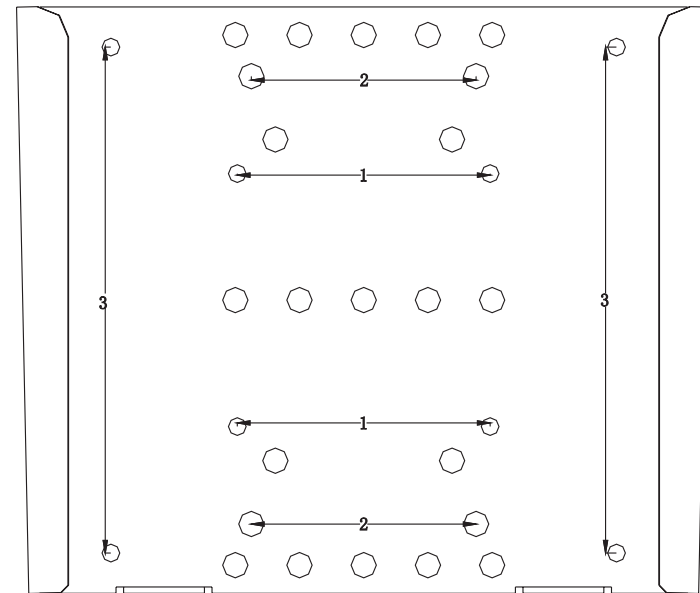


Fig 5

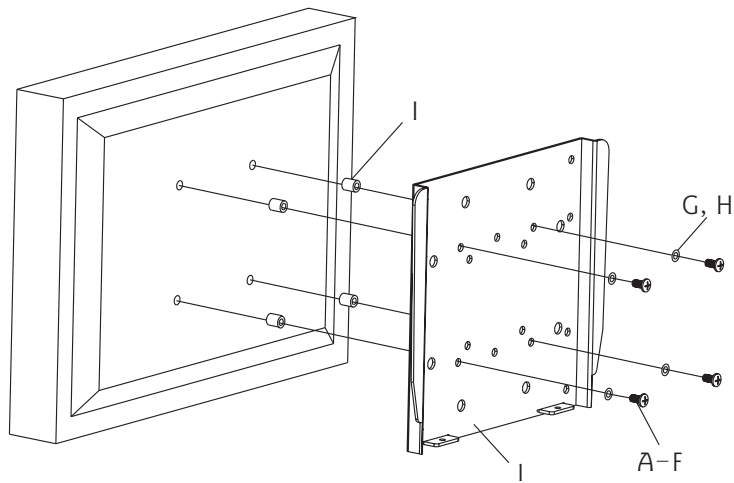


Fig 4

Step 4

Carefully position monitor so that Wall Plate and Monitor Plate are vertically aligned, with the bottom of Monitor plate overlapping the top of the Wall Plate.

Gently lower monitor into position, sliding the two plates together until the Monitor Plate bottoms out against the Wall Plate. (Fig. 5)

Caution: Make sure that the plates are engaged on both sides of the mount before releasing grip on monitor.

Step 5

Thread two Safety Screws (3) through bottom of Wall Plate and into Monitor Plate, to secure the assembly. (Fig. 5)

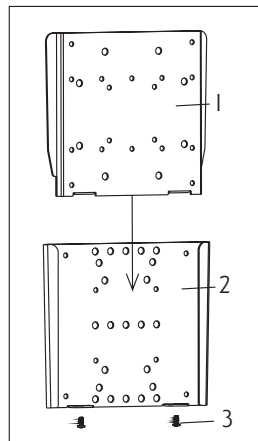


Fig 5

Step 1

Determine the desired location for the monitor.

Note: When mounting to wooden studs, the Wall Plate can be offset up to 2" in either direction from stud center (+/-2") by utilizing the offset mounting holes. (Fig. 1)

Important: Make sure there is adequate mounting space available for the monitor, considering the monitor dimensions.

The mount is supplied with the necessary hardware for either Wooden Stud Mounting or Masonry Mounting. Determine your mounting type and proceed accordingly, as shown on next page.

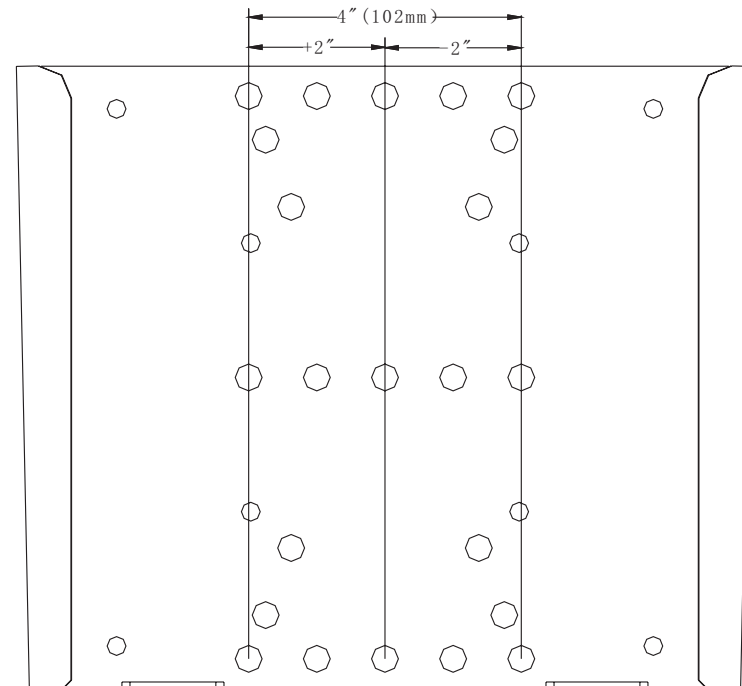
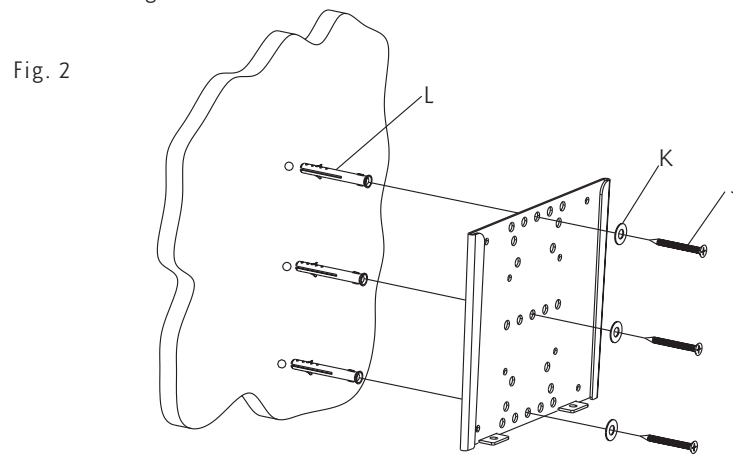


Fig. 1

Step 2 Wooden Stud Mounting

Using an electronic stud finder, locate the center of the wooden stud.
Position the Wall Plate (2) in desired mounting location over stud.
Level the Wall Plate, and then using the Wall Plate as a template, mark mounting hole locations over the center of the stud.
Using a 5mm drill bit, drill 3 mounting holes into the stud to a depth of 80mm.

Securely mount Wall Plate with supplied Long Bolts (J) and Washers (K). (Fig. 2)
Important: Dab a bit of liquid soap onto the bolt threads before the driving bolt into the stud. This makes the installation easier, and will prevent damage from occurring to the bolt.



Masonry Mounting

Position the Wall Plate (2) in desired mounting location on wall.
Level the Wall Plate, and then using the Wall Plate as a template, mark mounting hole locations on wall.
Using a 10mm masonry bit, drill 3 mounting holes into masonry to a depth of 80mm.

Insert Wall Anchors (L) into the mounting holes, and lightly tap them flush to the wall with a hammer, as shown in Fig 2.

Caution: Wall Anchors should only be used for masonry mounting.

NEVER use wall anchors to mount this mount to drywall.

Securely mount Wall Plate with supplied Long Bolts (J) and Washers (K). (Fig. 2)

Step 3

This mount Monitor Plate is VESA compliant, and supports the following VESA Patterns (Fig. 3):

A: VESA 75 (75mm x 75mm)

B: VESA 100 (100mm x 100mm)

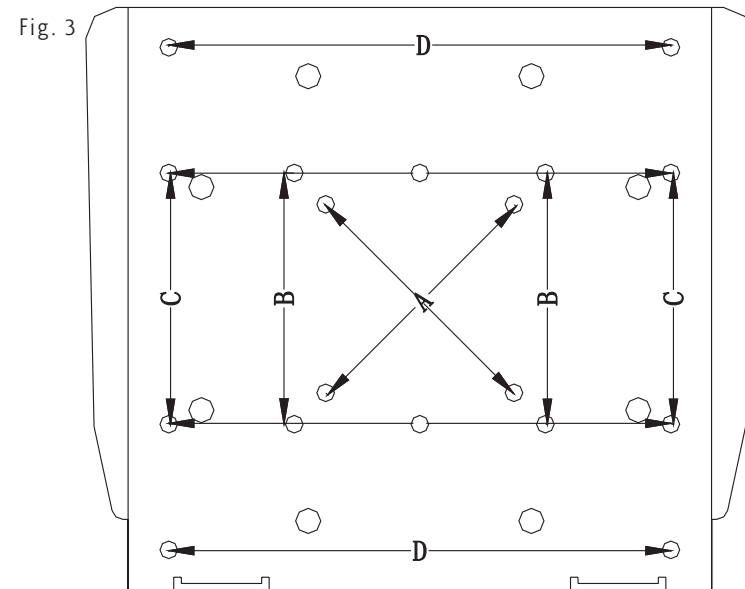
C: VESA 200 (100mm x 200mm)

D: VESA 200 (200mm x 200mm)

Non VESA compliant displays will require an optional adaptor plate.

Contact your dealer for details.

For details on attaching the Monitor Plate to a Adaptor Plate, turn to page 8.



Attach Monitor Plate to back of the monitor with 4mm, 5mm, or 6mm mounting Screws. (A-F) (Fig. 4) Check the monitor's owners manual for correct size screws to use.

Note: Some monitors with recessed mounting lands, will require the use of Spacers (I), as shown in Fig. 4.

Caution: Never force screws into the monitor, as damage may occur. NEVER use an electric drill to secure screws.

Free Manuals Download Website

<http://myh66.com>

<http://usermanuals.us>

<http://www.somanuals.com>

<http://www.4manuals.cc>

<http://www.manual-lib.com>

<http://www.404manual.com>

<http://www.luxmanual.com>

<http://aubethermostatmanual.com>

Golf course search by state

<http://golfingnear.com>

Email search by domain

<http://emailbydomain.com>

Auto manuals search

<http://auto.somanuals.com>

TV manuals search

<http://tv.somanuals.com>