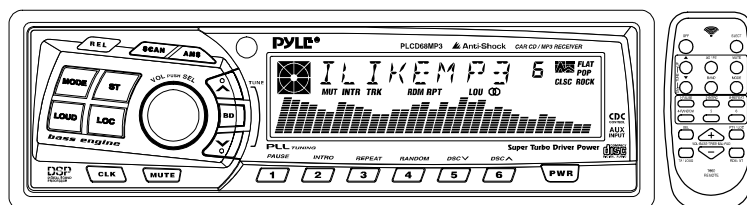


OWNER'S MANUAL

PYLE®

ANTI-SHOCK CD / MP3 PLAYER
CD CHANGER CONTROL
AUXILIARY INPUT
SUPER POWER OUTPUT
ANTI-THEFT FLIP DOWN DETACHABLE FACE
FM/AM BAND RADIO RECEIVER
REMOTE CONTROL

MODEL: **PLCD68MP3**



P / N : 570-F78902-01

LOCATION OF CONTROLS

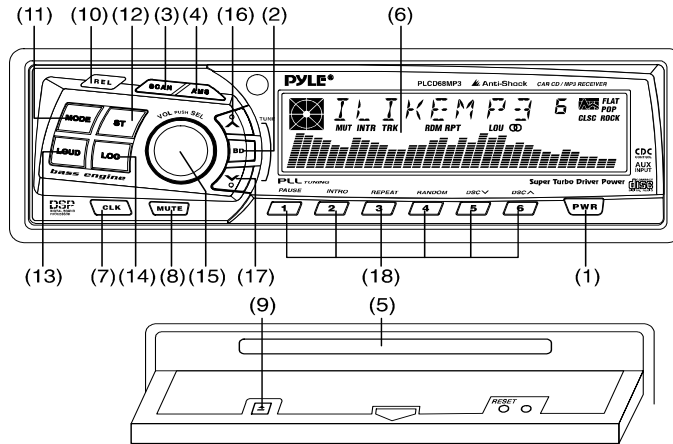
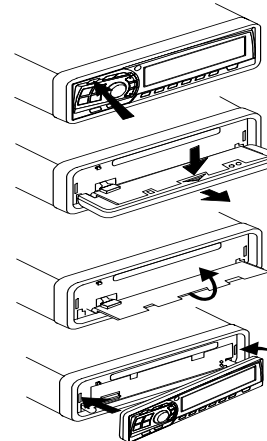


FIGURE A



REMARK :
AT ANY TIME, IF THE WIRE IS DISCONNECTED, THE RESET SWITCH MUST BE PRESSED AGAIN BEFORE OPERATE THE RADIO (REFER TO PAGE 6 FOR DETAIL). OTHERWISE, THE RADIO MAY NOT WORK PROPERLY.

OPERATING INSTRUCTIONS

1. POWER ON/OFF CONTROL

Press the button to turn the power "ON" or "OFF".

Note : The unit can be turn on by pressing any keys on the panel (except panel release button & disc eject button). It will help the user who cannot find the power button in dark.

2. BAND SELECTOR

Each time this button is pressed, the radio band is changed. The indication "FM1", "FM2", "FM3", "MW1" or "MW2" will appear on the display according to your selection.

3. SCAN CONTROL

Press this button to scan the receivable FM / MW stations. When receivable stations are tuned in, they are monitored for approximately 4 seconds before advancing to the next receivable station. Press SCAN button once again to stop scanning as desired.

4. PRE-SCAN/AUTO-STORE BUTTON

This button allows you to enjoy "Preset Memory Scan" function by pushing it shortly, and "Auto-Store Memory" function by pushing it more than 2 seconds.

- PS (PRESET MEMORY SCAN) - It calls the memorized station frequencies (from 1-6) automatically every 5 seconds.
- AS (AUTO-STORE MEMORY) - It searches all station frequencies upward and memorize automatically 6 stations by catching the frequency which has scan-stop level, the memorized station is shown on LCD as "CH1...6". After memorizing, auto-store memory function will be changed to "Preset Memory Scan" function automatically.

5. DISC SLOT

Holding the disc and insert into the disc slot. The disc mechanism will automatically engage into CD/MP3 play mode.

6. LCD DIGITAL DISPLAY

The unit utilizes a digital type display which shows numerical indication of station FREQUENCY and other FUNCTIONS.

7. CLOCK CONTROL

The button serves to show available information as following:

- Time
- Track No. / Playing Time (during CD and MP3 mode)
- Directory Name / File Name (during MP3 mode and the file must contain directories or files name written by the CD writer)

SETTING CLOCK TIME MANUALLY

- Briefly press CLK button until clock time appear on the display.
- Press and hold the button until the clock flash and release CLK button.
- While clock is flashing, rotate volume control button clockwise to set HOUR and anti-clockwise to set MINUTE.

8. MUTE CONTROL

Press the button to mute volume control and "MUTE ON" will appear on the display.

9. DISC EJECT BUTTON

Press the button to eject the disc inside disc slot.

10. PANEL RELEASE BUTTON (FIGURE A)

To detach the front panel, press the release button so that the panel fold down from vertical position to horizontal position and then pull it off of the chassis at horizontal position.

To re-attach the panel, push the fold-down metal frame forward until it locks to the original position. Then, put the panel at the right side of the position first and then press the left side of the panel until the mechanism lock it into place.

11. MODE SELECTION

Press this button to select Radio (TUNER), CD / MP3 (S-CDP), CD Changer Control (CD-C) and Auxilliary Input (AUX) mode.

12. STEREO/MONO CONTROL

Press this button to select "STEREO" or "MONO" reception.

13. LOUD CONTROL

Press this button to activate the loudness circuitry which compensates for loss of high and low frequencies during low volume levels.

14. LOCAL/DISTANT CONTROL

Press this button to prevent strong local stations from overlapping weaker stations. For normal operation, press this button again for distance.

15. VOLUME / SELECTION CONTROL

Rotate the button anti-clockwise to decrease, or clockwise to increase volume level.

AUDIO LEVEL CONTROL (WHEN PUSHING ONE AFTER ANOTHER)

Press this button shortly one after another to show VOL/BAS/TRE/BAL/FAD control.

- VOLUME - Press this button once, then rotate anticlockwise to decrease, or clockwise to increase volume level.
- BASS - Press this button once, then rotate anticlockwise to decrease, or clockwise to increase bass level.
- TREBLE - Press this button once, then rotate anticlockwise to decrease, or clockwise to increase treble level.
- BALANCE - Press this button once, then rotate anticlockwise or clockwise to level balance of speaker right and left.
- FADER - Press this button once, then rotate anticlockwise or clockwise to level fader of speaker front and rear.

AUDIO / SETTING SELECT (WHEN PUSHING 2 SECONDS)

When pressing the button for more than 2 seconds, it activates as unit setting selection in cyclical mode as following. The unit setting can be changed by rotating the button clockwise or anti-clockwise.

- DSP OFF / POP M / ROCK M / CLASS M / FLAT M
- ESP 12 / ESP 45 (setting 12 seconds or 45 seconds of electronic anti-shock time for Audio CD)
- BEEP OFF / BEEP ON (not available for this model)
- SEEK 1 (tune up/down buttons performs fast tune function) / SEEK 2 (tune up/down buttons performs auto tuning function when pressed more than 1 second)
- COLOR 1 / COLOR 2 (not available for this model)
- VOL LAST / VOL ADJ (preset volume level when unit turn on)

16/17. MANUAL UP/DOWN TUNING / TRACK SEEK UP/DOWN CONTROL

On radio mode, press the button will tune one frequency step higher or lower. Pressing the button more than 1 second can performs fast tuning function or auto tuning function.

On CD/MP3/CDC mode, press this button will locate the beginning of the track being played or will locate the beginning of the next track. When pressing more than 2 seconds, it will move fast forward or fast backward to a specific position of a CD/MP3 track.

18. STATION PRESET BUTTON (1-6)

The PRESET BUTTONS on the unit are used to store station frequencies which you may wish to recall. Each preset button can store FM1, FM2, FM3, MW1, MW2 station frequency. Pressing the button momentarily recalls the station frequency which was memorized. There are 6 preset buttons, giving you capability of storing 18FM / 12MW.

NOTE: When the preset button to be memorized is kept pressed for more than 2 seconds, the receiving station frequency will be stored in the button pressed. After this, the memorized station can be recalled by pressing the button once.

On CD / MP3 / CDC Mode

- Preset 1 - press this button to pause the disc played.
- Preset 2 - press this button to scan the first 10 seconds of all the tracks on the currently selected disc.
- Preset 3 - press this button to repeat the current track of the disc.
- Preset 4 - press this button to play disc at random order - Disc shuffle play.
- Preset 5 - press this button to search previous disc numbers (for CDC Mode only).
 - press this button to search -10 track (for MP3 Mode only).
- Preset 6 - press this button to search the disc numbers ahead (for CDC Mode only).
 - press this button to search +10 track (for MP3 Mode only).

INSTRUCTION TO PLAY MP3 SONGS

IMPORTANT NOTES

- The MP3 file recording media acceptable to this unit are CD-R and CD-RW.
- The MP3 formats acceptable are limited.
- Do not attempt to play a media containing non-MP3 files or non-MP3 files with MP3 extension. Otherwise, the CD Mechanism will not be working properly. If "ERROR" is shown, it is suggested to reset the radio by pressing the reset button.

PLAY ON MP3 SONG

- Insert the media with MP3 song in the disc slot. The unit will start playing and checks all the files and folder on the media.
- If MP3 files and directories are recognized, the media will start playing.
- The MP3 files and directories are accessed according to the order written by the CD writer.

TRACK SEARCH

- Press "AMS" button once and "Track srch" will be shown on the display.
- Press "SEL" to enter track search mode and "Track 001" will appear on the display for you to enter track number.
- Rotate volume control button clockwise or anti-clockwise to shift number 0–9 in loop rotation.
- Press "SEL" shortly to select the first digit.
- Repeat the same procedure to enter the other digits if required.
- After the track number is selected, press "SEL" button more than 2 seconds to start playing the selected track.
- If track number is not entered within 10 seconds, the unit will continue playing the current file.

FILES SEARCH

- Press "AMS" button twice and "File srch" will be shown on the display
- Press "SEL" to enter file search mode.
- Rotate volume control button clockwise or anti-clockwise to view the directories.
- After the selected directory is selected, rotate volume control either clockwise or anti-clockwise to view the files.
- Press "SEL" to play the selected file.
- If directories or files name is not entered within 10 seconds, the unit will continue playing the current file.

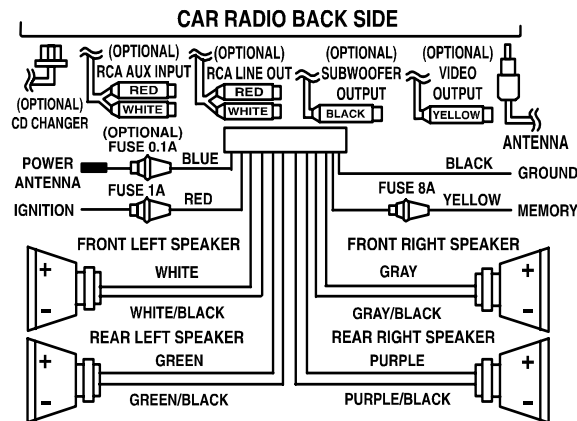
CHARACTER SEARCH (OPTIONAL)

- Press "AMS" button 3 times and "Char srch" will be shown on the display.
- Press "SEL" to enter into character search mode and "A" will appear on the display for you to enter first character.
- Enter whole name of files (maximum 8 characters) by Rotating volume control button clockwise or anti-clockwise to shift "A-Z", "0-9" & "*" (space) in loop rotation.
- Press "SEL" shortly to select the first character.
- Repeat the same procedure to enter the other characters if required.
- After the whole name of file is entered, press "SEL" button more than 2 seconds to start playing the selected track.

Remark :

- 1) The media must contain directories or files name written by the CD writer in order to use in searching.
- 2) If only partial letters are entered for searching either in directories or files name, you may not get it correctly.

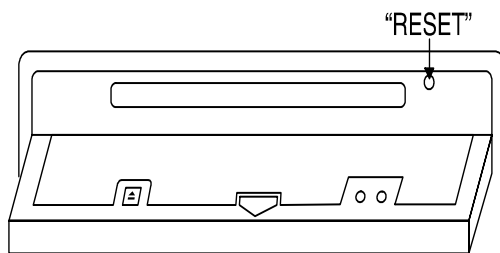
WIRE CONNECTION



CAUTION :

Do not connect the speaker wires to chassis or car body. Each speaker wire cannot be soldered together with other wires. Otherwise, the unit will be damaged and no sound will come out anymore.

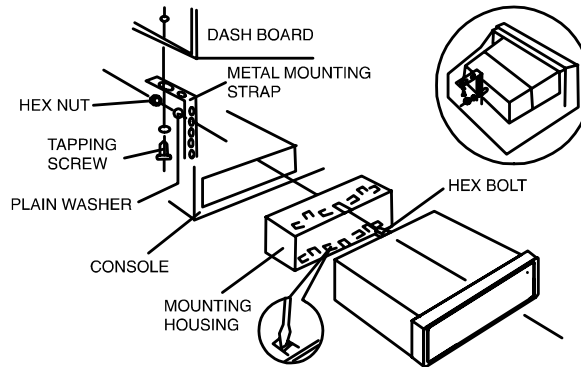
RESET FUNCTION



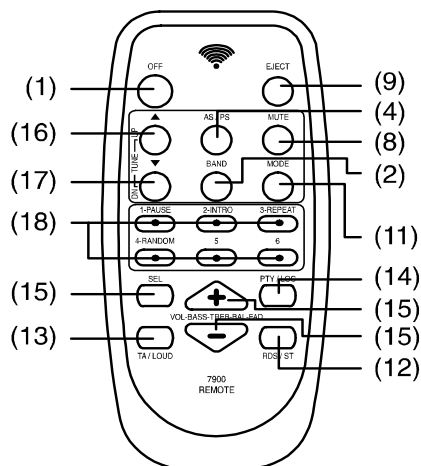
The RESET button is located on the front of main panel. It is recessed in order to prevent accidental engagement, and can be activated with the tip of a ball-point pen or any similar pointed object. This reset circuitry is provided in order to protect the unit's microprocessor, and should only be activated under the following conditions :

- a) Initial installation after all wiring is completed.
- b) Abnormal operation is encountered such as numerical indication on display is erratic.
- c) Whenever the reset button is activated, all preset memory content will be erased and must be reprogrammed.

INSTALLATION



REMOTE CONTROL



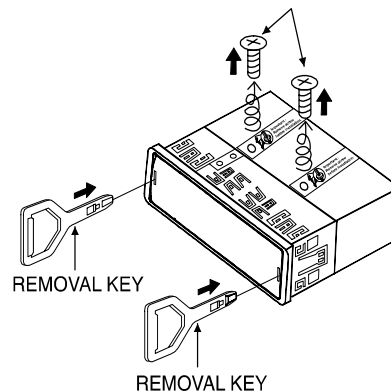
CAUTION : DO NOT PLACE THE UNIT OVER THE MAXIMUM INSTALLATION ANGLE OF 30°. OTHERWISE, THE UNIT MAY NOT WORK PROPERLY.

WARNING!!

Due to protection of CD Mechanism, two small screws on the top of the unit must be released before operate the unit. Otherwise, the CD Mechanism can not be working properly.

UNIT REMOVAL

1. Remove Front Control Panel.
2. Slightly insert the key into the slot and gently to release.
3. Separate the sleeve from the unit. Keep release key in a safe place as you may need for future removal of unit.



Free Manuals Download Website

<http://myh66.com>

<http://usermanuals.us>

<http://www.somanuals.com>

<http://www.4manuals.cc>

<http://www.manual-lib.com>

<http://www.404manual.com>

<http://www.luxmanual.com>

<http://aubethermostatmanual.com>

Golf course search by state

<http://golfingnear.com>

Email search by domain

<http://emailbydomain.com>

Auto manuals search

<http://auto.somanuals.com>

TV manuals search

<http://tv.somanuals.com>