



**PLD6C**

**COMPONENT  
SPEAKER SYSTEM  
INSTALLATION MANUAL**

Thank you for purchasing the PYLE speaker system. It is a state-of-the-art product carefully designed and manufactured for vehicle use, and has been thoroughly tested to ensure consistent and reliable performance.

If you have any question about the installation or operation of your PYLE speaker system which are not answered by this manual, contact your dealer in first instance.

## **Precautions**

- Before making holes, check the mounting space with supplied template
- To prevent noise pick-up, keep the wiring of this unit away from motors, high-voltage leads and other possible noise, source.
- To prevent short-circuit, keep all wiring away from moving parts sharp edges.
- Make sure you have carefully read and understood the installation instruction.

## **Tools required**

These are the tools required to complete the basic installation of the PYLE full range series components. Additional tools are necessary for more custom work unit.

1. Electric drill with bit
2. Philips screwdriver
3. Flat blade screwdriver
4. Wire Strippers
5. Crimping tool
6. Saber saw, hole saw, or nibbler
7. Utility Knife
8. Silicon sealant or weather stripping (optional)
9. Electrical tape

# PLD6C

## **Custom Component System**

### **This Custom Kite Contains:**

#### **One Pair PLD64 Mid:**

- 6.5" Midrange Driver
- Aluminum Die Cast Basket
- Glass Fiber/Foam Composite Cone
- Butyl Rubber Surround
- Chrome Plated Back Plates
- 200 Watts RMS/400 Watts Peak
- Frequency Response: 55-6KHz
- Impedance:4 Ohms

#### **One Pair Tweeter**

- 1" Silk Dome Tweeter
- Neodymium Magnet
- Aluminum Housings
- 2 Mounting Options:
  - Flush / Surface Mount
- 80 Watts RMS / 160 Watts Peak
- Frequency Response: 1.4-24KHz
- Impedanc: 4 OHms

#### **One Pair Passive Crossover Network:**

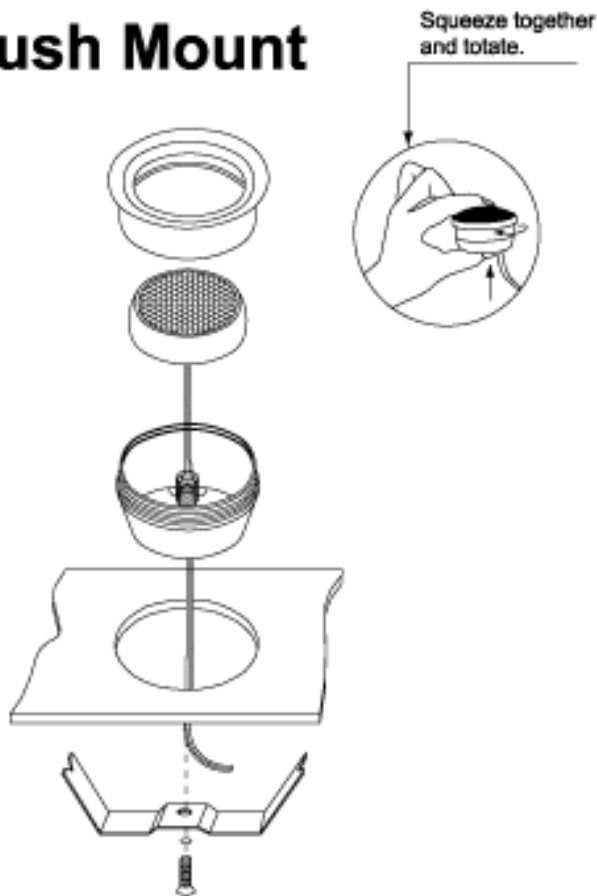
- Two - Way Passive Crossover
- 12 dB Octave Slope
- Gold Plated Connectors
- Fully-Protected Circuitry

#### **Accessories:**

- Custom Grills
- Mounting Hardware
- Wiring Diagram & Template
- Wiring Kit

# INSTALLATION OF TWEETER

## Flush Mount



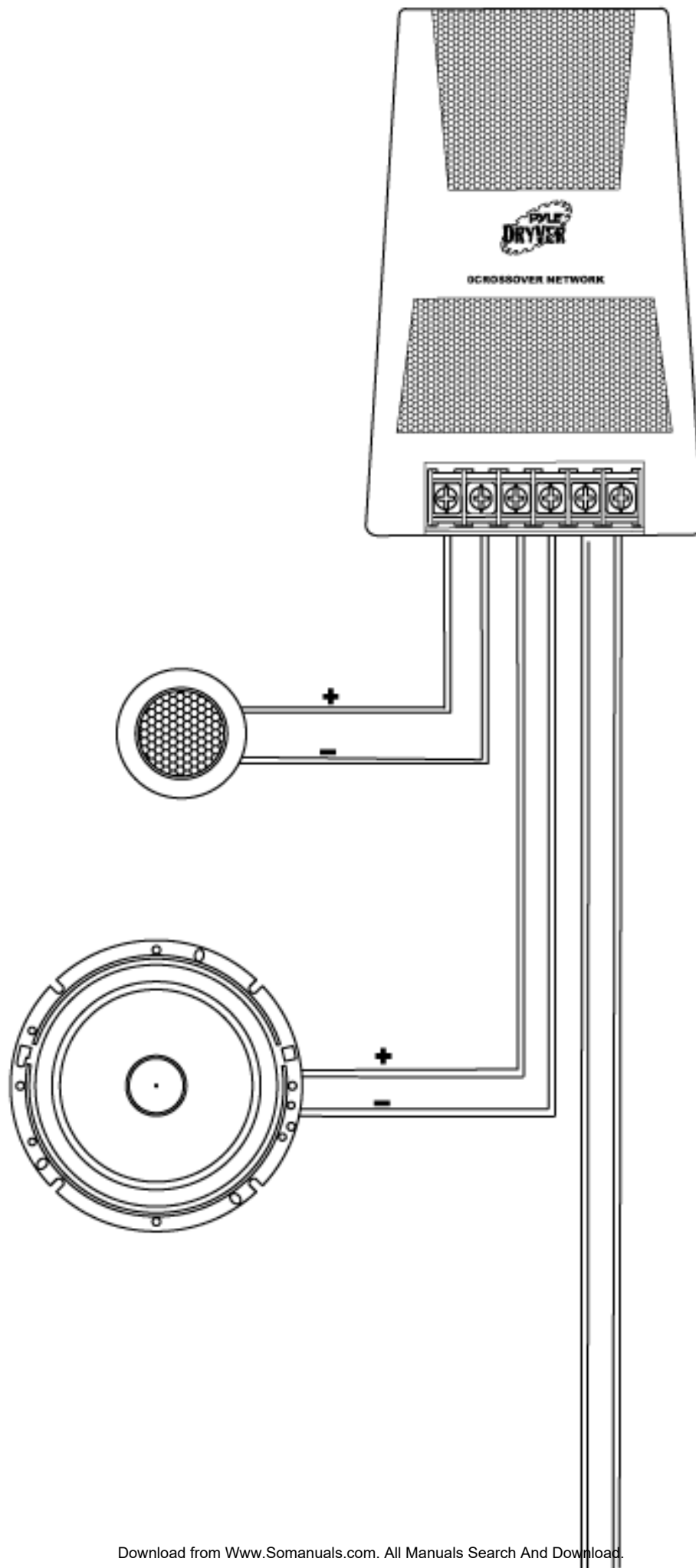
1. Choose a proper installation point for the tweeters.
2. Make a 48mm diameter hole where you want to flush mount the tweeter
3. Before cutting the hole-be sure that you have enough clearance for the tweeter housing depth.
4. Assemble the tweeters as per the drawing to the left. **BE SURE TO CONNECT THE WIRES BEFORE PLACING THE TWEETER INTO THE FLUSH MOUNTING HOLE!**

## Surface Mount

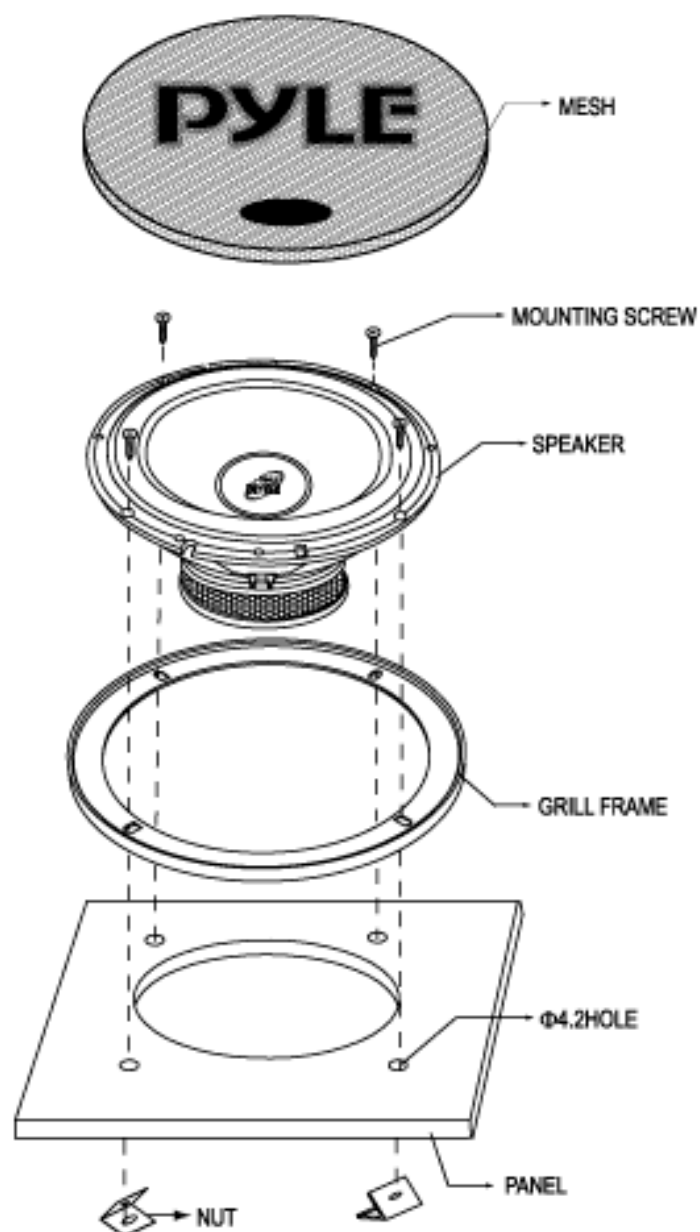


1. Choose a proper installation point for the tweeters. Be sure that you have enough clearance for the tweeter installation screw and that no other wires will get pinched behind this location by the tweeter mounting screw.
2. Assemble the tweeters as per the drawing to the left. Place the tweeter into the bracket and rotate it clock-wise until the tweeter locks into the bracket.

# CROSSOVER INSTRUCTION

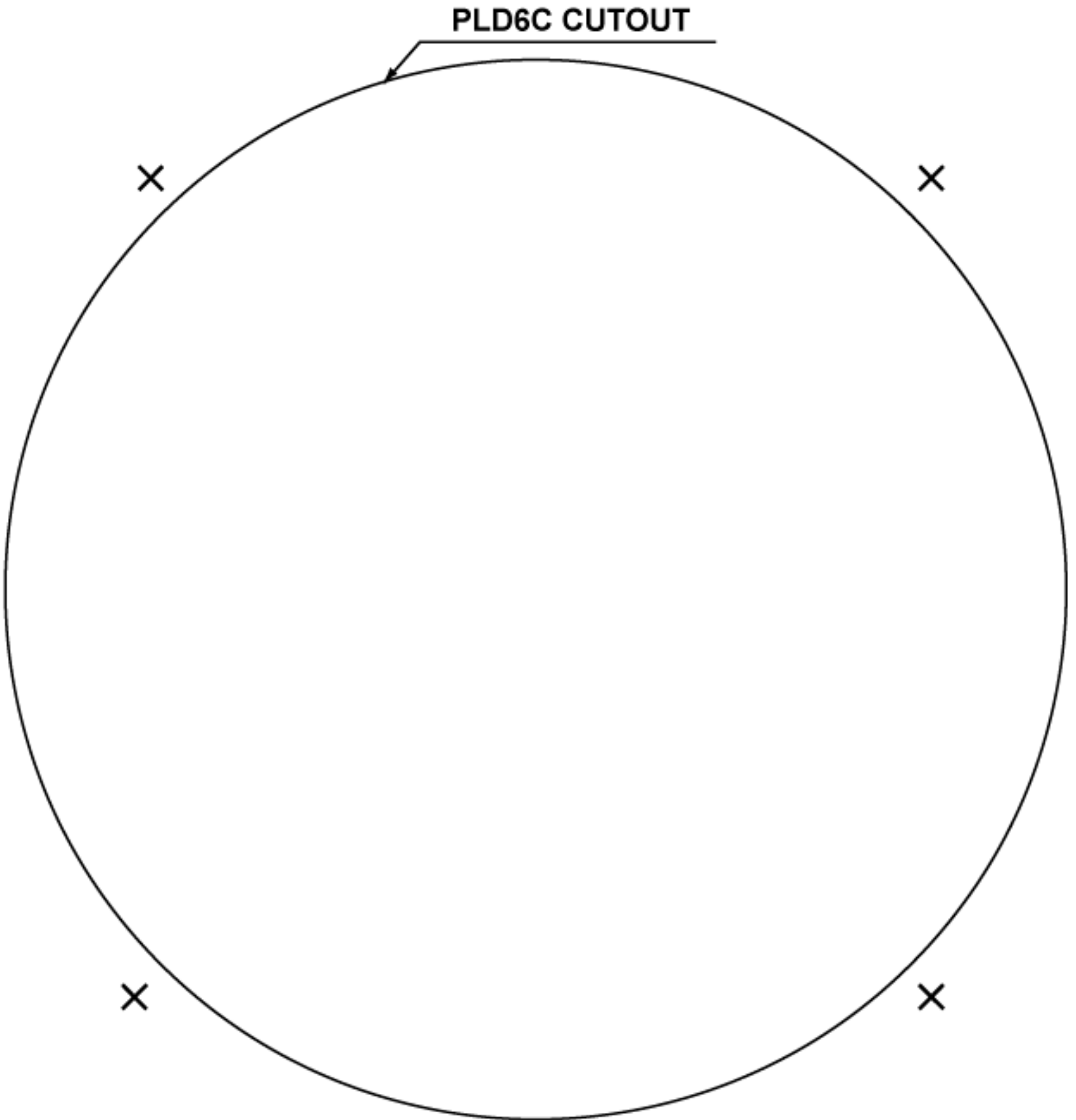


# WOOFER INSTRUCTION (PLD6C)



1. Using mounting template for the speakers, mark the correct mounting location with a pencil or pen.
2. Cut out the panel at this marking and drill 4 holes for the mounting bolts to pass through.
3. Separate the grill mesh from the grill frame.
4. Connect the wires coming from the crossover to the speaker. Be sure to match the polarity correctly.
5. Insert grill frame & speaker Unit in the speaker mounting hole at the rear panel and attach the speaker with bolts & nuts provided.
6. Put the grill mesh back with the grill frame.

# TEMPLATE



## Free Manuals Download Website

<http://myh66.com>

<http://usermanuals.us>

<http://www.somanuals.com>

<http://www.4manuals.cc>

<http://www.manual-lib.com>

<http://www.404manual.com>

<http://www.luxmanual.com>

<http://aubethermostatmanual.com>

Golf course search by state

<http://golfingnear.com>

Email search by domain

<http://emailbydomain.com>

Auto manuals search

<http://auto.somanuals.com>

TV manuals search

<http://tv.somanuals.com>