

## SECTION II: RECORDING AND PRINTING

1. It is necessary to record and print the cards in two separate steps when using Prassi™ PrimoCD Pro. To record, first load the input bin with 50 blank CD-R Business Cards. Next, create your recording job as described in the Duplicator User's Manual. Make sure to disable the Print option in Prassi's Recording Job Window.
2. Once your Business Cards have finished recording, reload them in the input bin. To design your card, use one of the software templates from the included disc. Prior to printing, you will need to change the following settings in the Printer Driver:
  - Enable the Manual Load option (Figure 4)
  - Set the Center Size to a value of "-215" (Figure 5)

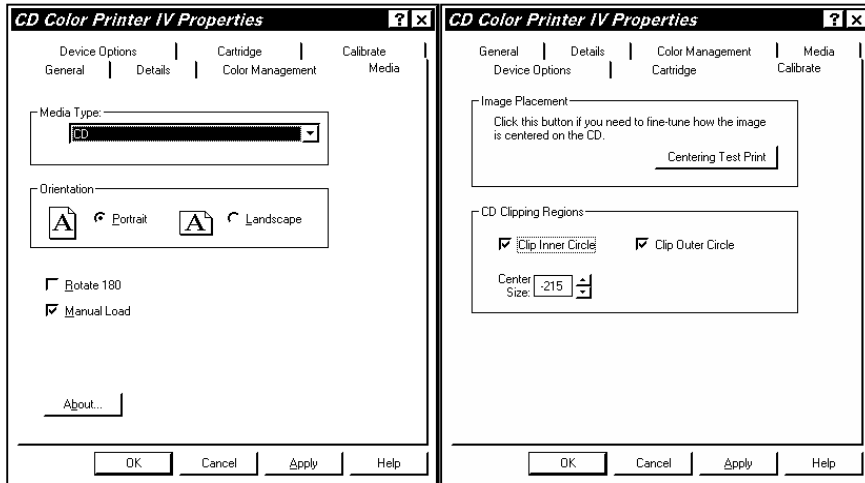


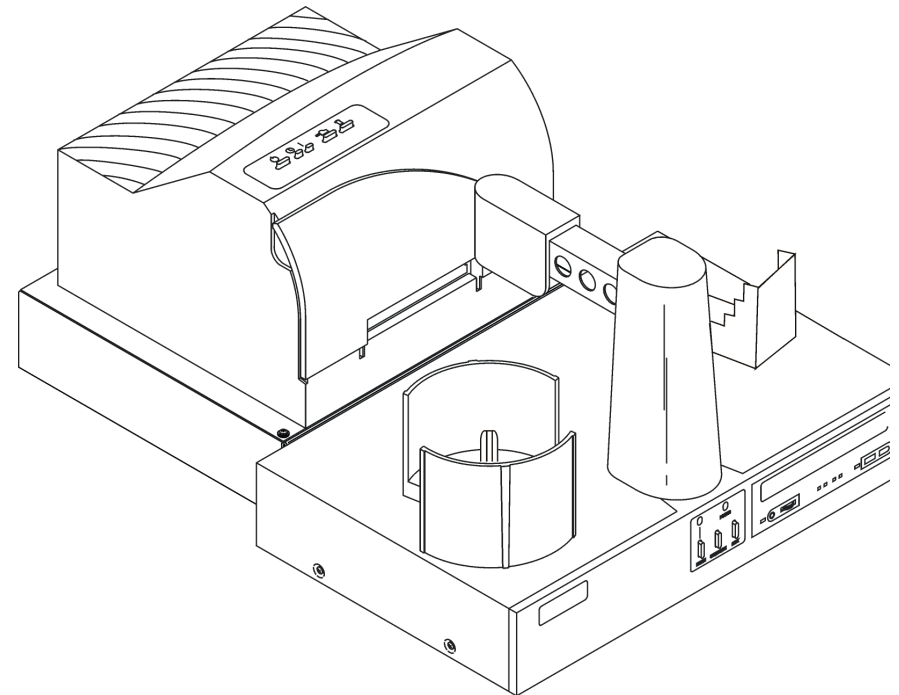
Figure 4: Manual Load

Figure 5: Center Size

# Operator Instructions

## Business Card Adapter Kit

For use with Composer™ Optical Disc Duplicator or Conductor™ Printer Autoloader



**PRIMERA**  
TECHNOLOGY, INC.

Two Carlson Parkway North  
Plymouth, MN 55447-4446 • U.S.A.  
Phone: 1-800-797-2772 • 763-475-6676  
FAX: 763-475-6677  
Web: [www.primeratechnology.com](http://www.primeratechnology.com)

**PRIMERA**  
TECHNOLOGY EUROPE™

Mainzer Strasse 131  
D-65187 Wiesbaden • Germany  
Phone: +49 (0)611 92777-0  
FAX: +49 (0)611 92777-50  
Web: [www.primeraeurope.de](http://www.primeraeurope.de)

PN510116-010607

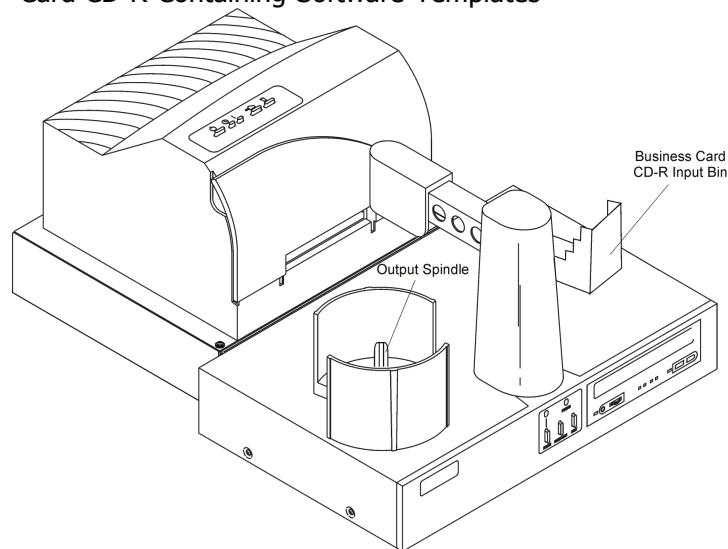
This sheet describes the installation and use of the CD-R Business Card Adapter Kit for the Composer™ Optical Disc Duplicator and the Conductor™ Optical Disc Autoloader (referred to hereafter as the "Duplicator").

**NOTE:** The Business Card Adapter Kit is designed to work best with the Signature® IV and SignaturePro® CD Color Printers from Primera (referred to hereafter as "Printer").

## SECTION I: SETUP

1. Check to make sure the following items are enclosed:

- CD-R Business Card Input Bin
- Output Spindle
- CD-R Drive Ring
- CD Business Card Tray Template Assembly (2 pieces)
- 5 Printable Surface CD Business Cards
- Card CD-R Containing Software Templates



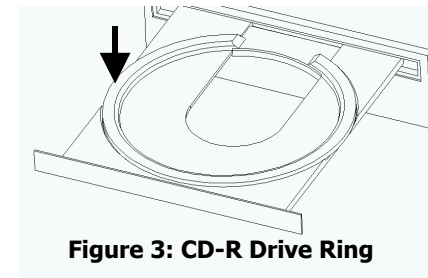
**Figure 1: Input /Output Bins**

2. Place the Output Spindle in the center of the Output Bin on the left side of the Duplicator.

3. Remove the original Input Bin and place the CD-R Business Card Input Bin on the right side of the Duplicator.
4. Install the CD-R Business Card Clamp Assembly in the Printer Tray as shown below. The Front Template has molded pegs that mate with holes found toward the front of the printer tray. The Hook on the underside of the Rear Template rests on the metal clamp located to the rear of the printer tray. When properly installed, the metal clamp adjusts the Rear Template forward to hold the card in place when the tray retracts into the printer.

**Figure 2: CD Business Card Clamp Assembly**

5. Install the CD-R Drive Ring in the CD-R Drive Tray as shown below



**Figure 3: CD-R Drive Ring**

**NOTE:** It may be necessary to slightly re-align the Printer on your Duplicator when using the CD-R Business Card Adapter Kit. Please refer to the Printer Alignment section in the Optical Disc Duplicator User's Manual. Once the printer is aligned, you are ready to record and print CD-R Business Cards.

## Free Manuals Download Website

<http://myh66.com>

<http://usermanuals.us>

<http://www.somanuals.com>

<http://www.4manuals.cc>

<http://www.manual-lib.com>

<http://www.404manual.com>

<http://www.luxmanual.com>

<http://aubethermostatmanual.com>

Golf course search by state

<http://golfingnear.com>

Email search by domain

<http://emailbydomain.com>

Auto manuals search

<http://auto.somanuals.com>

TV manuals search

<http://tv.somanuals.com>