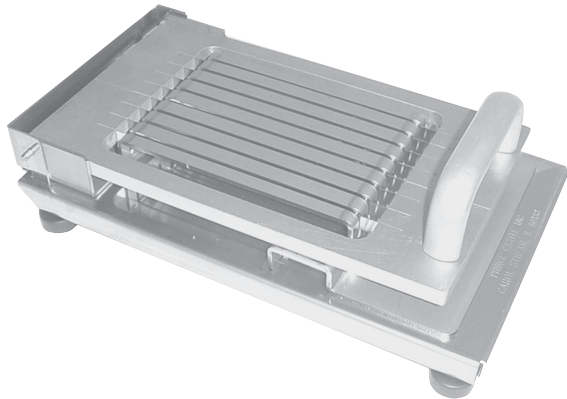


965-B CHICKEN SLICER



Model 965-B

STANDARD FEATURES

- Produces perfectly uniform slices every time - ideal for specialty salads and other menu items
- Quality design and construction
- Time and money saving unit
- Smooth and effortless operation
- Easy to maintain - no tools required
- Quick and easy clean up

Prince Castle model 965-B Chicken Slicer is designed to deliver perfectly sliced boneless chicken. Simply place a piece of cooked boneless chicken on the frame and firmly press down on the handle, creating uniform slices every time perfect for specialty salads and more.

Simple to operate, the Chicken Slicer saves time and money in the kitchen. This safe and easy-to-use unit eliminates the need for slicing chicken with dangerous knives.

Constructed of aluminum and stainless steel, the chicken slicer is easy to clean - use soft brush and soapy water, rinse and dry thoroughly. The Prince Castle Chicken Slicer is also dishwasher safe.

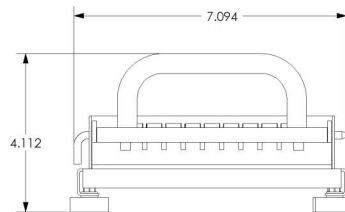
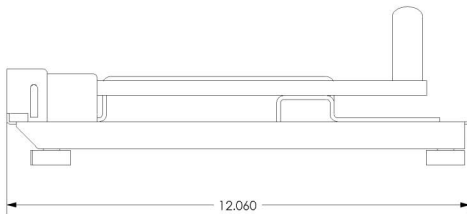
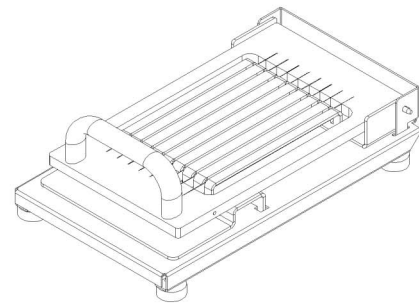
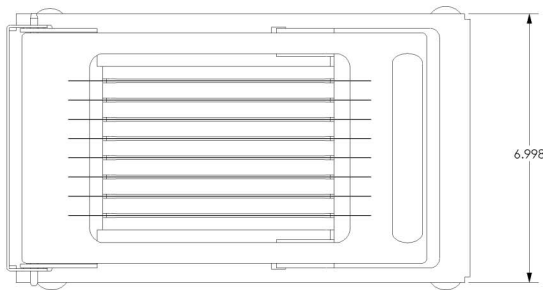
This product is warranted to be free from defects in material and/or workmanship at time of delivery only.

965-B CHICKEN SLICER

SPECIFICATIONS

DIMENSIONS

MODEL NUMBER	LENGTH IN (CM)	DEPTH IN (CM)	HEIGHT IN (CM)	SHIPPING WT. LB (KG)
965-B	12.1 (30.6)	6.9 (17.5)	4.1 (10.4)	6 (2.7)



CHICKEN SLICER

965-B

*Designs and specifications are subject to change without notice.



Free Manuals Download Website

<http://myh66.com>

<http://usermanuals.us>

<http://www.somanuals.com>

<http://www.4manuals.cc>

<http://www.manual-lib.com>

<http://www.404manual.com>

<http://www.luxmanual.com>

<http://aubethermostatmanual.com>

Golf course search by state

<http://golfingnear.com>

Email search by domain

<http://emailbydomain.com>

Auto manuals search

<http://auto.somanuals.com>

TV manuals search

<http://tv.somanuals.com>