

Redi-Gril®

CC AND CM CHAR-BRUSHES



Model CC



Model CM

Prince Castle's Redi-grill Char-Brushes are designed to clean high production char-broilers by thoroughly removing food residue from your cooking surfaces.

The best char-broiler cleaning tools ever designed, model CC and model CM char-brushes clean char-broilers quickly and easily. The tough spring bristles and ergonomically designed pistol-grip handles help operators clean more efficiently with less effort.

Two brush types are available—coarse (CC) and medium (CM). We recommend both be used for best cleaning results.

STANDARD FEATURES

- Cleans char-broilers quickly.
- Two models available—coarse (model CC) and medium (model CM).
- Tough, spring-steel bristles.
- 24" metal pistol-grip handle.
- Cleans thoroughly.
- Replacement brushes available.

CC AND CM CHAR-BRUSHES

PRINCE CASTLE INC. 
WORLDWIDE

SPECIFICATIONS

DIMENSIONS

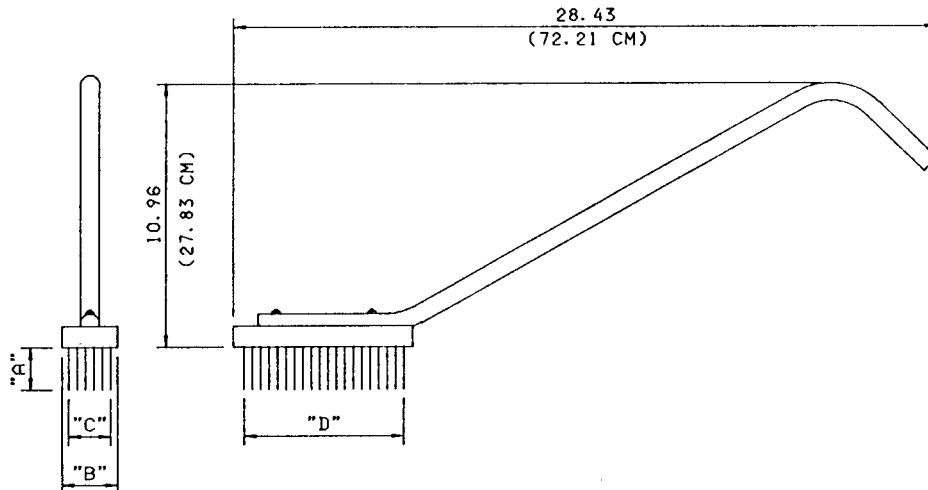
MODEL NUMBER	LENGTH IN. (CM)	HEIGHT IN. (CM)	WIDTH IN. (CM)	SHIPPING WT. LB. (KG.)
CC	28 ¹ / ₂ (72.21)	11 (27.83)	2 ¹ / ₂ (6.35)	11 (5.0)
CM	28 ¹ / ₂ (72.21)	11 (27.83)	2 ¹ / ₄ (5.71)	11 (5.0)

ORDERING INFORMATION

MODEL	DESCRIPTION
CC	Char-Brush Coarse (min. qty. 6)
CM	Char-Brush Medium (min. qty. 6)
CC-1	Replacement Brush Only (coarse) (min. qty. 12)
CM-1	Replacement Brush Only (medium) (min. qty. 12)

MODEL	"A"	"B"	"C"	"D"
CC	1 1/4	2 1/2	2	7 1/8
(METRIC)	3.17	6.35	5.08	18.09

MODEL	"A"	"B"	"C"	"D"
CM	1 3/4	2 1/4	1 7/8	8 1/2
(METRIC)	4.44	5.71	4.78	16.51



*Designs and specifications are subject to change without notice.



Free Manuals Download Website

<http://myh66.com>

<http://usermanuals.us>

<http://www.somanuals.com>

<http://www.4manuals.cc>

<http://www.manual-lib.com>

<http://www.404manual.com>

<http://www.luxmanual.com>

<http://aubethermostatmanual.com>

Golf course search by state

<http://golfingnear.com>

Email search by domain

<http://emailbydomain.com>

Auto manuals search

<http://auto.somanuals.com>

TV manuals search

<http://tv.somanuals.com>