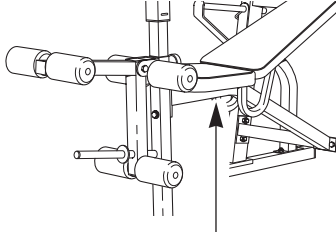


PRO-FORM 735

Model No. PFBE64490

Serial No. _____

Write the serial number in the space above for reference.



Serial Number Decal (under seat)

QUESTIONS?

As a manufacturer, we are committed to providing complete customer satisfaction. If you have questions, or find that there are missing parts, we will guarantee complete satisfaction through direct assistance from our factory.

TO AVOID UNNECESSARY DELAYS, PLEASE CALL DIRECT TO OUR TOLL-FREE CUSTOMER HOT LINE. The trained technicians on our customer hot line will provide immediate assistance, free of charge.

CUSTOMER HOT LINE:

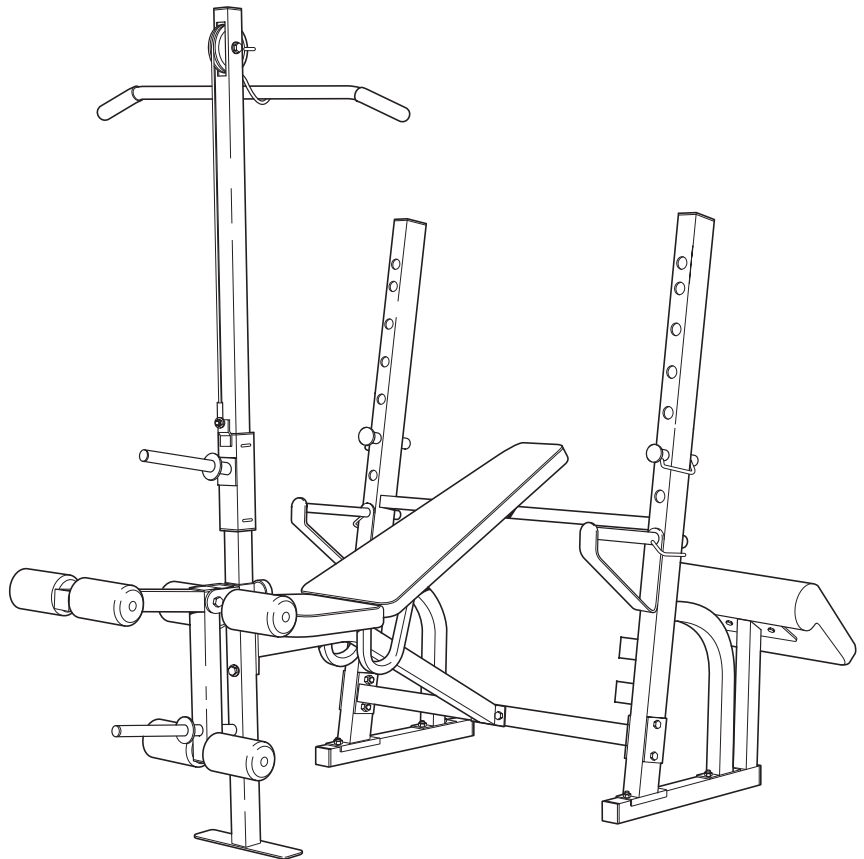
1-800-999-3756

Mon.-Fri., 6 a.m.-6 p.m. MST

CAUTION

Read all precautions and instructions in this manual before using this equipment. Save this manual for future reference.

USER'S MANUAL



Patent Pending



Visit our website at

www.proform.com

new products, prizes,
fitness tips, and much more!

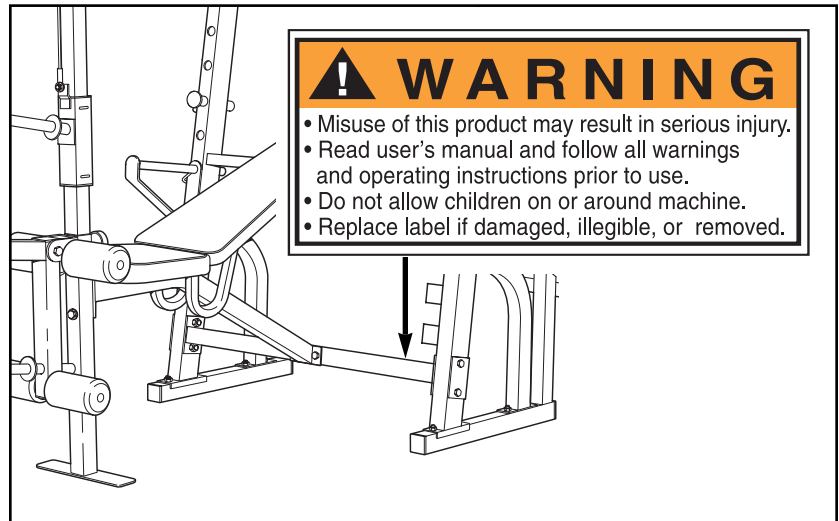
Table of Contents

Warning Decal Placement	2
Important Precautions	3
Before You Begin	4
Part Identification Chart	5
Assembly	6
Adjusting the Weight Bench	13
Exercise Guidelines	17
Ordering Replacement Parts	Back Cover
Limited Warranty	Back Cover

Note: A Part List/Exploded Drawing is attached to the center of this manual. Remove the Part List/Exploded Drawing before beginning assembly.

Warning Decal Placement

The decal shown at the right has been applied to the weight bench. If the decal is missing, or if it is not legible, please call our Customer Service Department toll-free at 1-800-999-3756, Monday through Friday, 6 a.m. until 6 p.m. Mountain Time, to order a replacement decal. Apply the replacement decal in the location shown.



Important Precautions

WARNING: To reduce the risk of serious injury, read the following important precautions before using the weight bench.

1. Read all instructions in this manual before using the weight bench. Use the weight bench only as described in this manual.
2. It is the responsibility of the owner to ensure that all users of the weight bench are adequately informed of all precautions.
3. The weight bench is intended for home use only. Do not use the weight bench in any commercial, rental or institutional setting.
4. Use the weight bench only on a level surface. Cover the floor beneath the weight bench for protection.
5. Inspect and tighten all parts each time you use the weight bench. Replace any worn parts immediately.
6. Keep children under 12 and pets away from the weight bench at all times.
7. Keep hands and feet away from moving parts.
8. Always wear athletic shoes for foot protection while exercising.
9. Do not use a barbell (not included) longer than six feet with the weight bench.
10. Always make sure there is an equal amount of weight on each side of your barbell.
11. The weight bench is designed to support a maximum of 460 pounds, including the user, a barbell and weights. Do not place more than 210 pounds, including a barbell and weights, on the weight rests. Do not place more than 130 pounds on the weight carriage. Do not place more than 130 pounds on the leg lever for normal use.
12. Always place 50 pounds on the leg lever to balance the bench when performing squat exercises (see page 15).
13. Always fold the backrest out of the way when performing squat exercises (see page 15). Do not sit on the seat when the backrest is folded.
14. Do not stand with your back to the weight bench when performing squat exercises (see page 15). You should be able to see the weight rests while exercising so that you can safely return the barbell to the weight rests when you finish the exercise.
15. When using the backrest, make sure that the adjustment tube is fully inserted into the adjustment brackets on the uprights.
16. Always remove the lat tower or curl post from the front leg before performing leg curl or leg extension exercises with the leg lever (see page 14).
17. When performing an exercise during which you are sitting on the bench with your back to the lat tower, make sure there is plenty of space between your back and the weight carriage. Always lower the weight carriage in a controlled manner. Never let the weight carriage drop.
18. Always set both weight rests and safety spotters at the same height. Make sure that the weight rests and safety spotters are turned so the locking pins are hooked around the uprights.
19. Always exercise with a partner. When you are performing bench press exercises, squat exercises or toe raise exercises, your partner should stand behind you to catch the barbell if you cannot complete a repetition.
20. If you feel pain or dizziness at any time while exercising, stop immediately and begin cooling down.

WARNING: Before beginning this or any exercise program, consult your physician. This is especially important for persons over the age of 35 or persons with pre-existing health problems. Read all instructions before using. ICON assumes no responsibility for personal injury or property damage sustained by or through the use of this product.

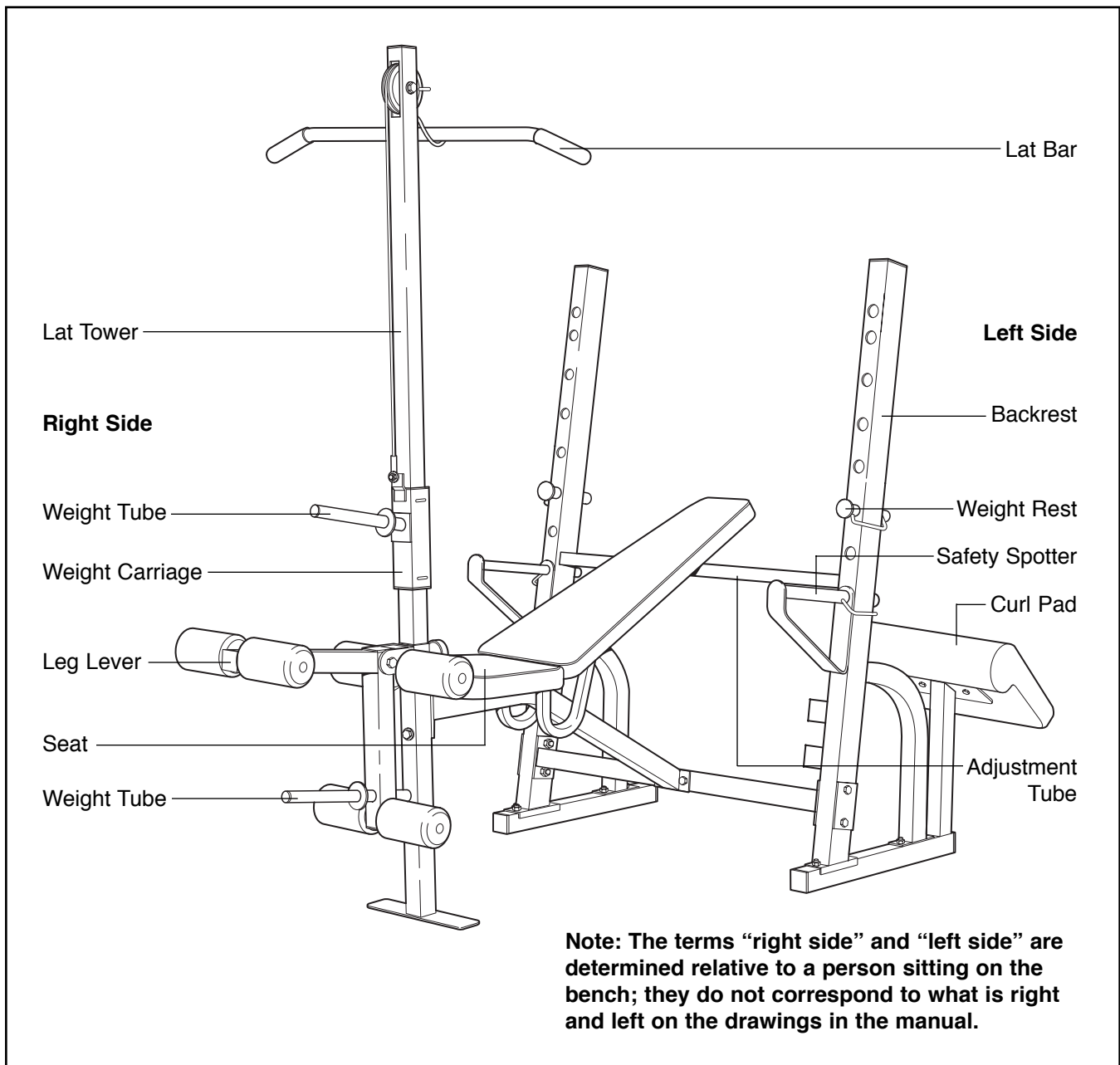
Before You Begin

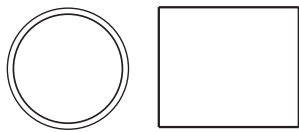
Thank you for selecting the versatile PROFORM® 735 Weight Bench. The PROFORM® 735 is designed to help you develop every major muscle group of the body. Whether your goal is a shapely figure, dramatic muscle size and strength or a healthier cardiovascular system, the PROFORM® 735 Weight Bench will help you achieve the specific results you want.

For your benefit, read this manual carefully before using the PROFORM® 735 Weight Bench. If you have additional questions, please call our Customer Service Department toll-free at 1-800-999-3756,

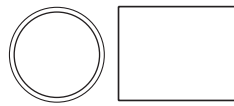
Monday through Friday, 6 a.m. until 6 p.m. Mountain Time (excluding holidays). To help us assist you, please note the product model number and serial number before calling. The model number is PFBE64490. The serial number can be found on a decal attached to the Weight Bench (see the front cover of this manual).

Before reading further, please review the drawing below and familiarize yourself with the parts that are labeled.

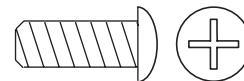




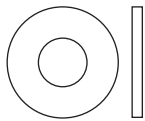
16mm x 18.5mm Spacer (8)-2



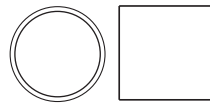
Pulley Spacer (41)-2



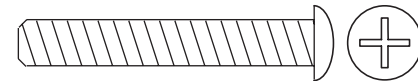
M6 x 16mm Screw (3)-4



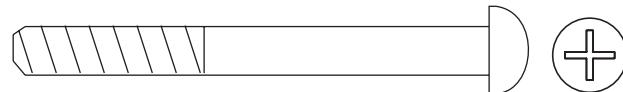
M6 Washer (30)-5



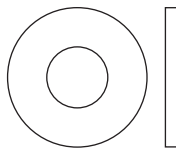
Leg Lever Spacer (50)-1



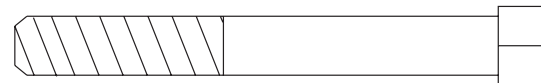
M6 x 38mm Screw (4)-4



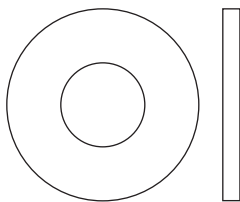
M6 x 63mm Screw (7)-1



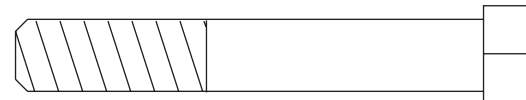
M8 Washer (23)-2



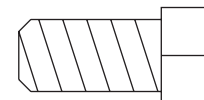
M8 x 64mm Bolt (43)-1



M10 Washer (6)-5



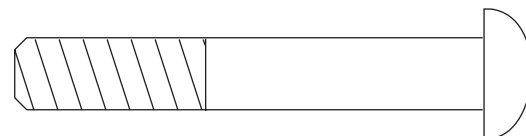
M8 x 70mm Bolt (48)-1



M10 x 19mm Bolt (46)-1



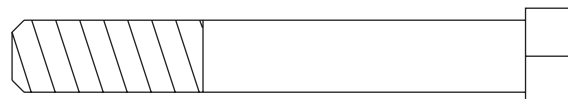
M8 Nylon Locknut (13)-2



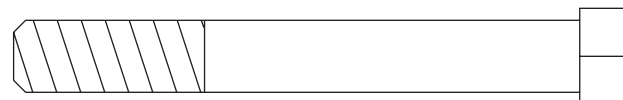
M10 x 62mm Carriage Bolt (33)-8



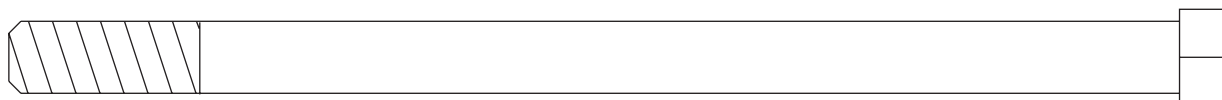
M10 Nylon Locknut (11)-20



M10 x 68mm Bolt (34)-8



M10 x 75mm Bolt (60)-1



M10 x 155mm Bolt (22)-1

Assembly

Before beginning assembly, carefully read the following information and instructions:

Make Things Easier for Yourself!




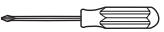
Everything in this manual is designed to ensure that our products can be assembled successfully by anyone. However, it is important to recognize that this is a sophisticated product with many small parts, and, consequently, the assembly process will take time. Most people find that by setting aside plenty of time and by deciding to make the task enjoyable, assembly will go smoothly.

- Assembly requires two people.
- Place all parts in a cleared area and remove the packing materials. Do not dispose of the packing materials until assembly is completed.
- Tighten all parts as you assemble them, unless instructed to do otherwise.

• For help identifying the small parts, use the PART IDENTIFICATION CHART on page 5.

• As you assemble the weight bench, make sure all parts are oriented as shown in the drawings.

The following tools (not included) are required for assembly:

- **Two (2) adjustable wrenches** 
- **One (1) rubber mallet** 
- **One (1) standard screwdriver** 
- **One (1) phillips screwdriver** 
- **Lubricant, such as grease or petroleum jelly plus soapy water.**

Assembly will be more convenient if you have the following tools: A socket set, a set of open-end or closed-end wrenches or a set of ratchet wrenches.

1. **Before assembling this product, make sure you understand the information in the box above.**

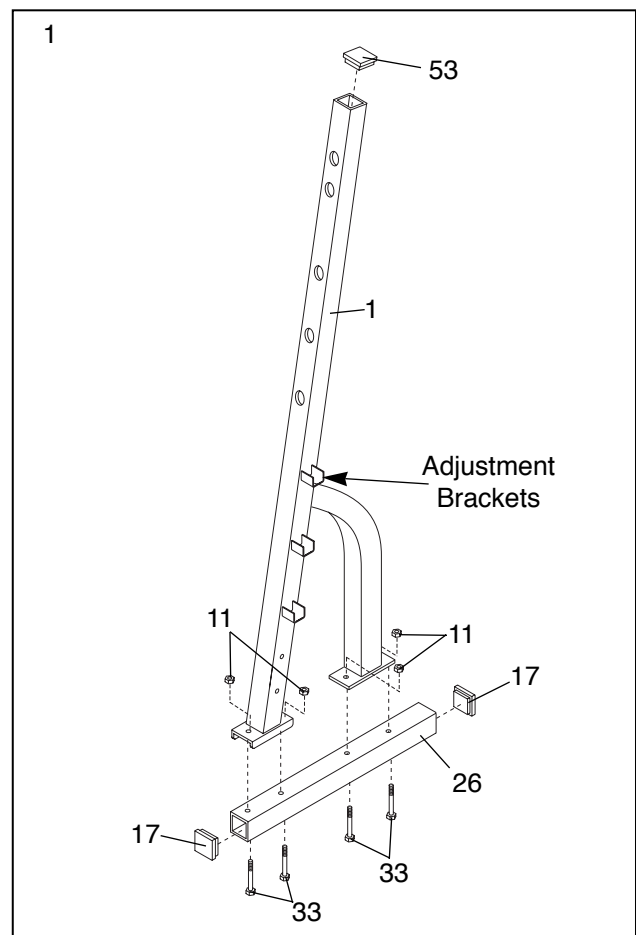
Press a 51mm x 76mm Square Inner Cap (53) into the top of the Right Upright (1). **Note: Make sure the adjustment brackets are oriented as shown.**

Press a 2" Square Inner Cap (17) into each end of the Right Stabilizer (26).

Insert four M10 x 62mm Carriage Bolts (33) up through the Right Stabilizer (26). (**Note: On one side of the Stabilizer there is an indentation around each hole. Insert the Bolts from this side.**) Place the right Stabilizer flat on the floor.

Slide the Right Upright (1) onto the four M10 x 62mm Carriage Bolts (33) in the Right Stabilizer (26). Attach the Upright with four M10 Nylon Locknuts (11). **Do not tighten the Nylon Locknuts yet.**

Set the Right Upright (1) aside, making sure that it cannot fall.

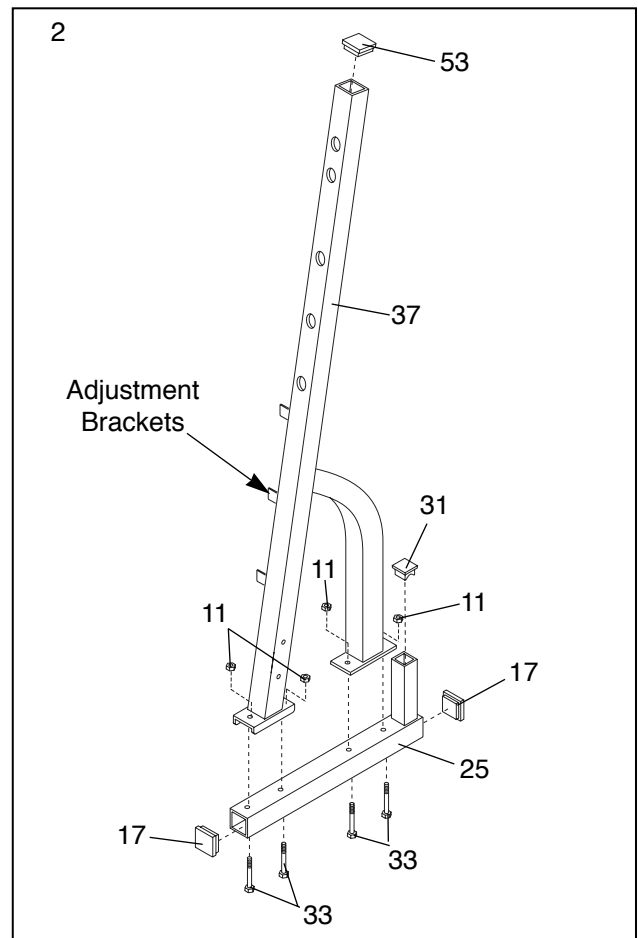


2. Press a 51mm x 76mm Inner Cap (53) into the top of the Left Upright (37). **Note: Make sure the adjustment brackets are oriented as shown.**

Press a 2" Square Inner Cap (17) into each end of the Left Stabilizer (25). Press a 38mm Square Inner Cap (31) into the vertical tube on the Left Stabilizer.

Insert four M10 x 62mm Carriage Bolts (33) up through the Left Stabilizer (25). Place the Left Stabilizer flat on the floor.

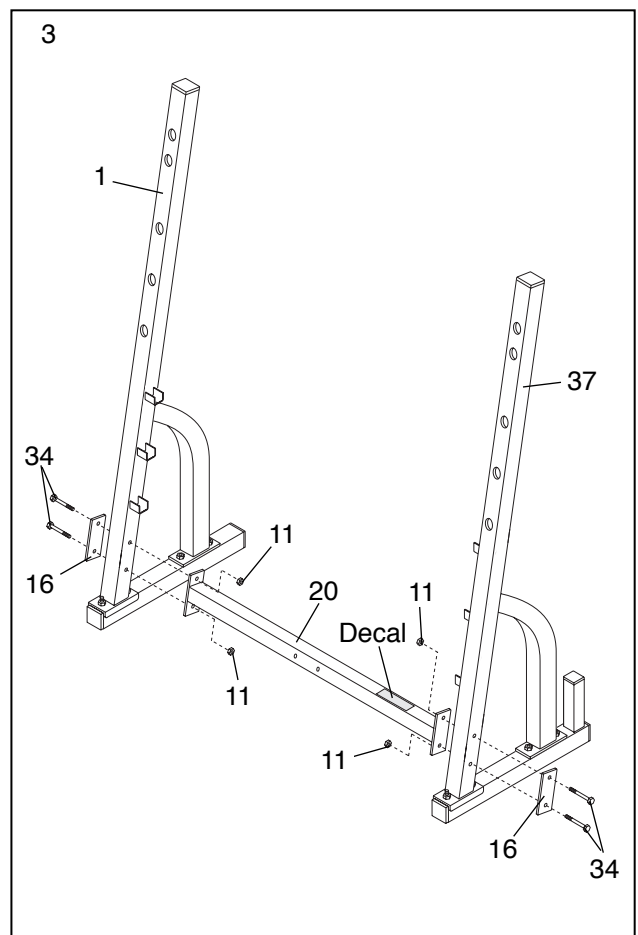
Slide the Left Upright (37) onto the four M10 x 62mm Carriage Bolts (33) in the Left Stabilizer (25). Attach the Upright with four M10 Nylon Locknuts (11). **Do not tighten the Nylon Locknuts yet.**



3. Insert two M10 x 68mm Bolts (34) into an Upright Support Plate (16). Next, insert the Bolts into the indicated holes in the Right Upright (1).

While a second person holds the Right Upright (1), slide the bracket on the Crossbar (20) over the two M10 x 68mm Bolts (34). **Make sure that the Crossbar is turned so the decal is facing up.** Secure the Crossbar with two M10 Nylon Locknuts (11).

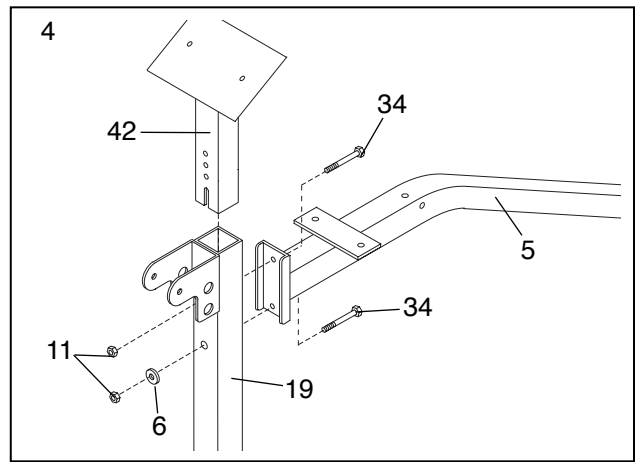
Attach the Crossbar (20) to the Left Upright (37) in the same manner.



- Insert two M10 x 68mm Bolts (34) through the indicated bracket on the Bench Frame (5) and then through the holes in the Front Leg (19). Insert the Curl Post (42) into the Front leg.

Secure the upper M10 x 68mm Bolt (34) with an M10 Nylon Locknut (11).

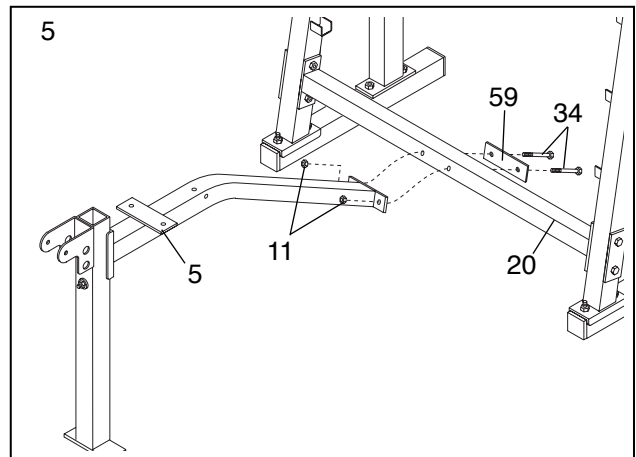
Secure the lower M10 x 68mm Bolt (34) with an M10 Washer (6) and an M10 Nylon Locknut (11). **Do not tighten the Nylon Locknuts yet. The Curl Post (42) must slide freely after assembly.** Set the Curl Post aside until assembly step 17.



- Insert two M10 x 68mm Bolts (34) into a Crossbar Support Plate (59). Next, insert the Bolts into the indicated holes in the Crossbar (20).

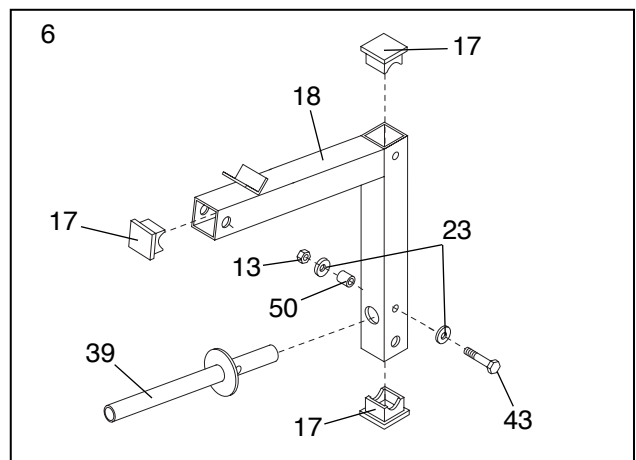
Slide the bracket on the Bench Frame (5) onto the two M10 x 68mm Bolts (34) in the Crossbar (20). Attach the Bench Frame with two M10 Nylon Locknuts (11).

Tighten all M10 Nylon Locknuts used in steps 1 through 5.



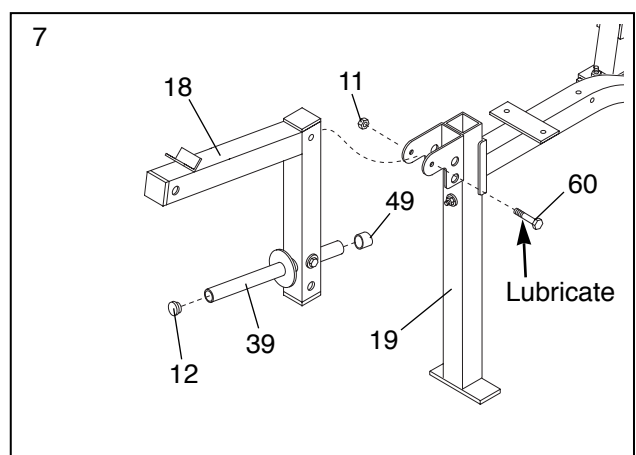
- Press three 2" Square Inner Caps (17) into the Leg Lever (18).

Attach the Weight Tube (39) to the Leg Lever (18) with an M8 x 64mm Bolt (43), two M8 Washers (23), the Leg Lever Spacer (50), and an M8 Nylon Locknut (13).



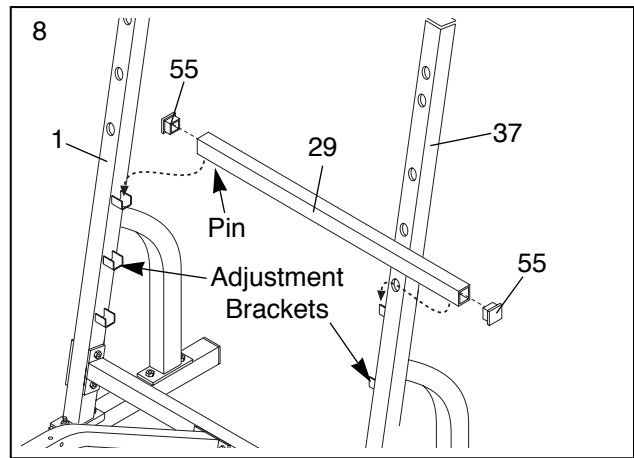
- Press the Angle Cap (49) onto the indicated end of the Weight Tube (39). Press a 1" Round Inner Cap (12) into the opposite end of the Weight Tube.

Lubricate an M10 x 75mm Bolt (60). Attach the Leg Lever (18) to the bracket on the Front Leg (19) with the Bolt and an M10 Nylon Locknut (11). **Do not overtighten the Nylon Locknut. You must be able to freely pivot the Leg Lever.**



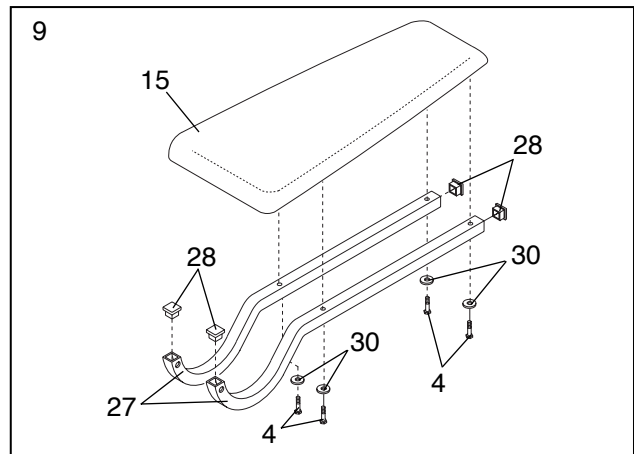
8. Press a 30mm Square Inner Cap (55) into each end of the Adjustment Tube (29).

Place the Adjustment Tube (29) in one set of adjustment brackets on the Uprights (1, 37). **Make sure that the pins on the Adjustment Tube are inserted into the slots in the adjustment brackets.**



9. Press 1" Square Inner Caps (28) into the ends of both Backrest Tubes (27).

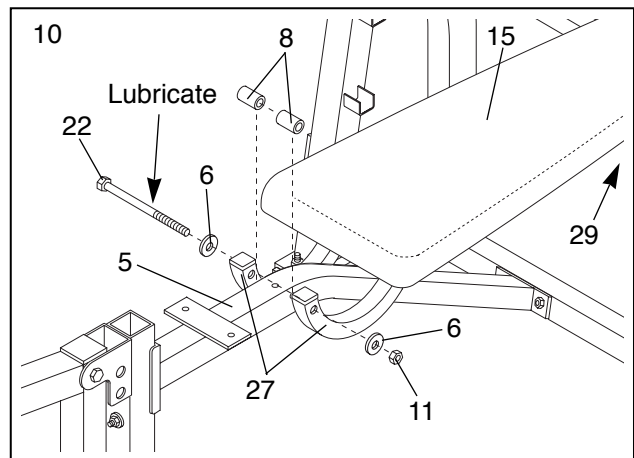
Attach the Backrest Tubes (27) to the Backrest (15) with four M6 x 38mm Screws (4) and four M6 Washers (30). **Do not tighten the four Screws yet.**



10. Slide an M10 Washer (6) onto the M10 x 155mm Bolt (22). Lubricate the Bolt.

Rest the Backrest (15) on the Adjustment Tube (29). Insert the M10 x 155mm Bolt (22) through the right Backrest Tube (27) and then slide a 16mm x 18.5mm Spacer (8) onto the Bolt.

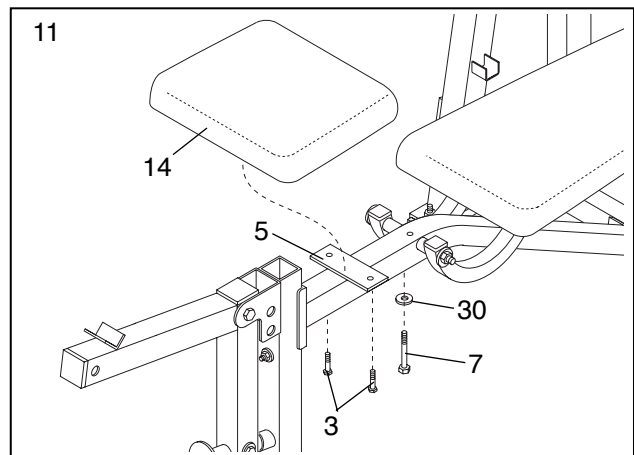
Next, insert the M10 x 155mm Bolt (22) into the Bench Frame (5) until the tip is barely visible on the other side. Hold a 16mm x 18.5mm Spacer (8) between the Bench Frame and the left Backrest Tube (27) and insert the Bolt through the Spacer and the Backrest Tube. Secure the Bolt with an M10 Washer (6) and an M10 Nylon Locknut (11). **Do not over-tighten the Nylon Locknut. You must be able to freely pivot the Backrest. Tighten the four M6 x 38mm Screws (4) used in step 9.**



11. Attach one end of the Seat (14) to the Bench Frame (5) with an M6 x 63mm Screw (7) and an M6 Washer (30). **Do not tighten the Screw yet.**

Attach the other end of the Seat (14) to the bracket on the Bench Frame (5) with two M6 x 16mm Screws (3).

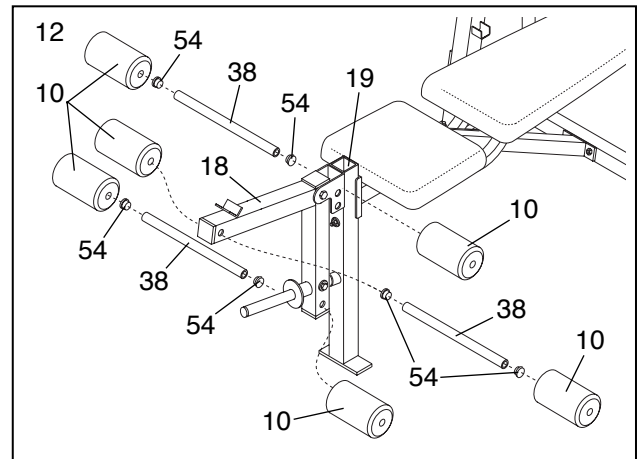
Tighten the M6 x 63mm Screw (7).



12. Press two 3/4" Round Inner Caps (54) into each of the three Pad Tubes (38).

Slide a Foam Pad (10) onto one end of each Pad Tube (38).

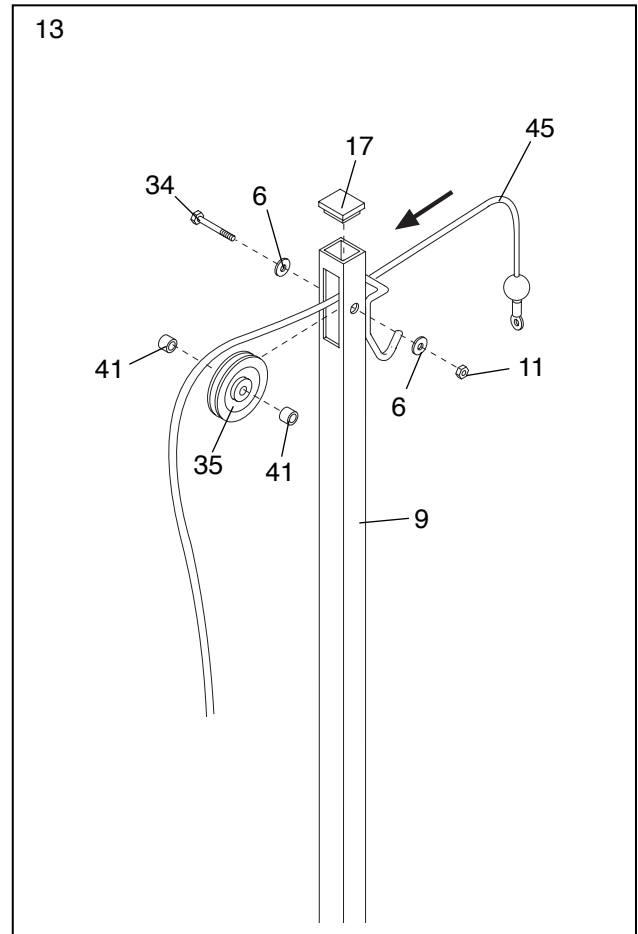
Insert the free end of each Pad Tube (38) into the indicated holes in the Leg Lever (18) and the bracket on the Front Leg (19). Secure each Pad Tube by sliding another Foam Pad (10) onto the free end.



13. Locate the Cable (45) and note that it has a loop on one end and a ball on the other end. Insert the end with the loop through the slot in the Lat Tower (9) from the direction shown.

Next, lay the Cable (45) in the groove of the Pulley (35). Attach the Pulley inside the slot in the Lat Tower (9) with the M10 x 68mm Bolt (34), two M10 Washers (6), two Pulley Spacers (41), and an M10 Nylon Locknut (11).

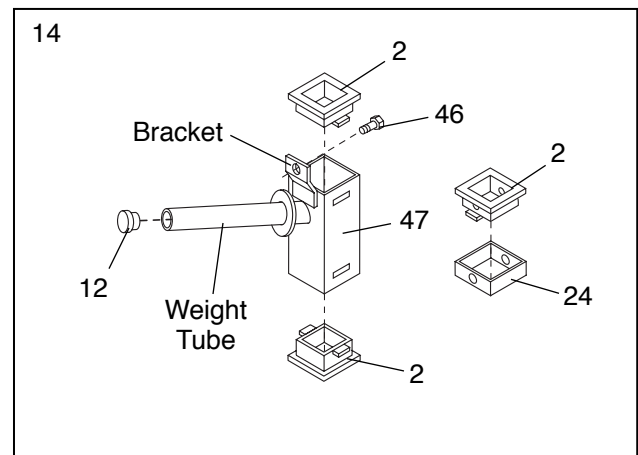
Press a 2" Square Inner Cap (17) into the top of the Lat Tower (9).



14. Press Carriage Bushings (2) onto the top and bottom of the Weight Carriage (47). Press a 1" Round Inner Cap (12) into the weight tube on the Weight Carriage.

Insert the M10 x 19mm Bolt (46) into the bracket on the Weight Carriage (47) from the indicated direction.

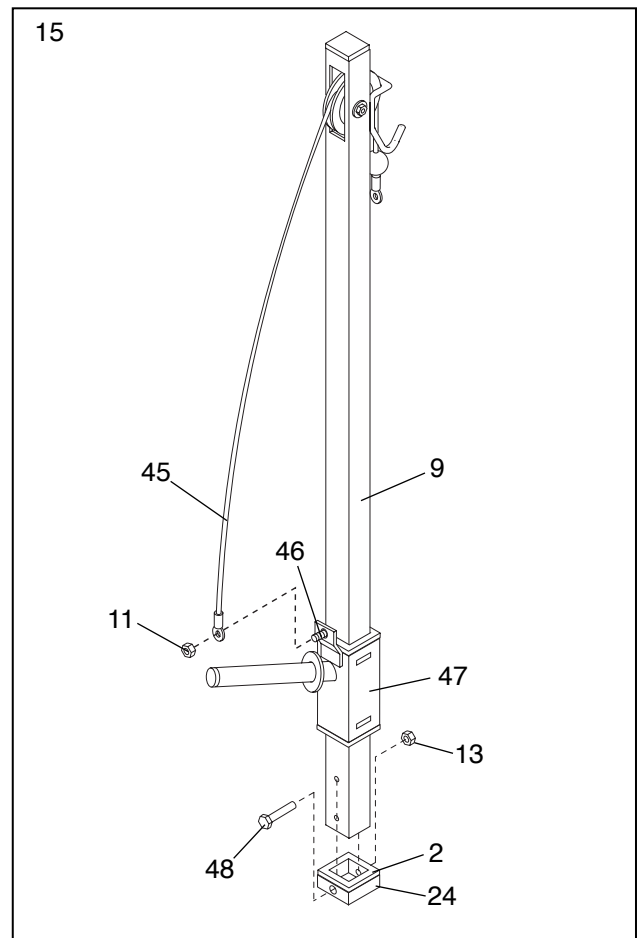
Press the last Carriage Bushing (2) into the Carriage Stop (24) as shown.



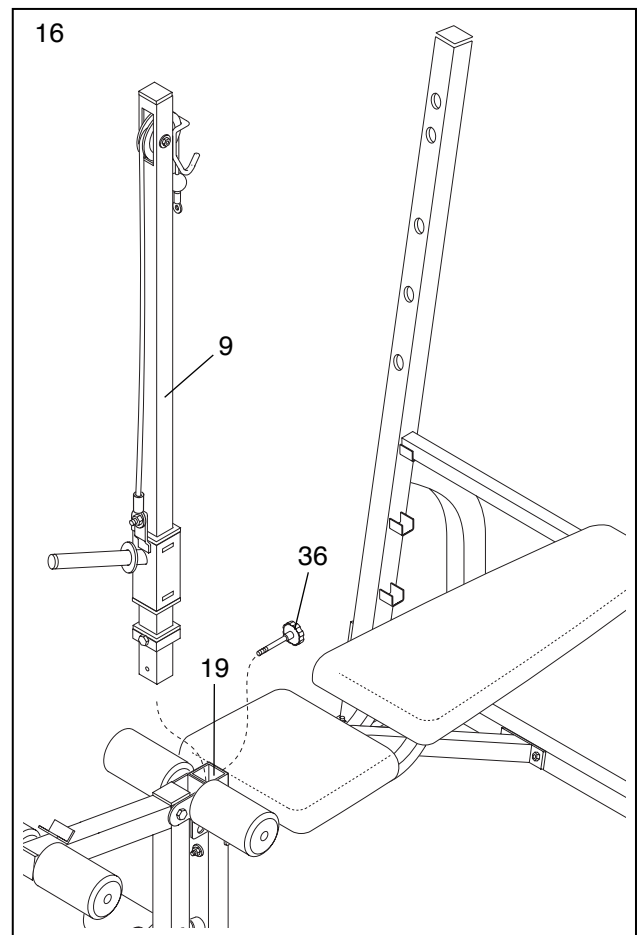
15. Slide the Weight Carriage (47) onto the Lat Tower (9). **Make sure that the Weight Carriage is oriented as shown.**

Slide the loop on the Cable (45) onto the M10 x 19mm Bolt (46) in the Weight Carriage (47). Attach the Cable with an M10 Nylon Locknut (11).

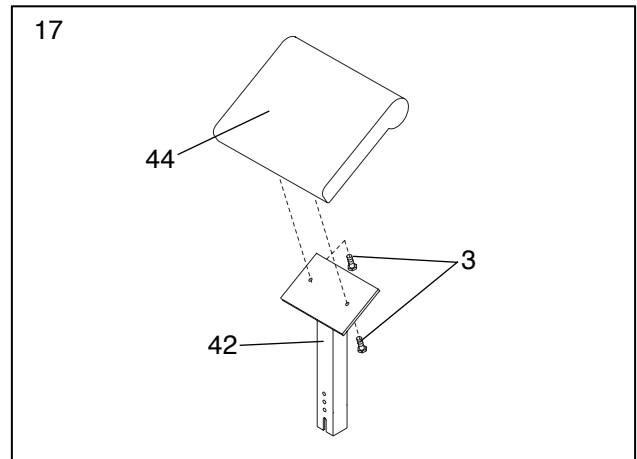
Next, slide the Carriage Stop (24) onto the Lat Tower (9). Make sure that the Carriage Stop is turned so the lip of the Carriage Bushing (2) is on top. Attach the Carriage Stop to the indicated hole in the Lat Tower with the M8 x 70mm Bolt (48) and an M8 Nylon Locknut (13).



16. Insert the Lat Tower (9) into the Front Leg (19). **Make sure that the Lat Tower is turned as shown.** Secure the Lat Tower with the Adjustment Knob (36).



17. Attach the Curl Pad (44) to the Curl Post (42) with two M6 x 16mm Screws (3).

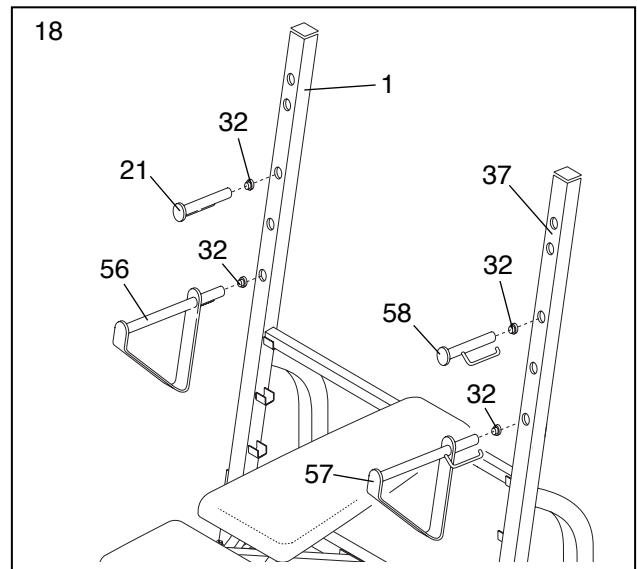


18. Press a 1" Round Inner Cap (32) into each Weight Rest (21, 58) and each Safety Spotter (56, 57).

Insert the Weight Rests (21, 58) into one set of holes in the Uprights (1, 37). Turn the Weight Rests until the locking clips are hooked around the Uprights.

Make sure that both Weight Rests are at the same height.

Insert the Safety Spotters (56, 57) into one set of adjustment holes in the Uprights (1, 37). Turn the Safety Spotters until the locking clips are hooked around the Uprights. **Make sure that both Safety Spotters are at the same height and that they are a few holes lower than the Weight Rests (21, 58).**



19. **Make sure that all parts are properly tightened before you use the weight bench.** The use of all remaining parts will be explained in ADJUSTING THE WEIGHT BENCH, beginning on the next page.

Adjusting the Weight Bench

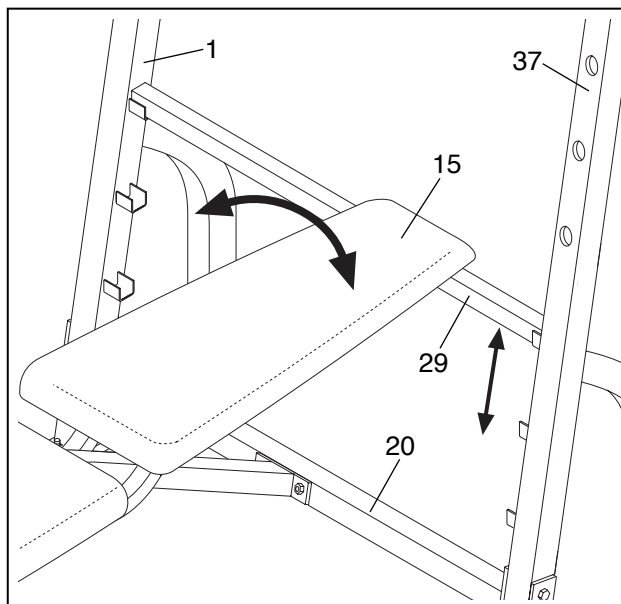
This section explains how to adjust the weight bench. See the EXERCISE GUIDELINES on page 17 for important information on how to get the most benefit from your exercise program. Also, refer to the accompanying exercise poster to see the correct form for each exercise.

Inspect and tighten all parts each time you use the weight bench. Replace any worn parts immediately. The weight bench can be cleaned with a damp cloth and a mild, non-abrasive detergent. Do not use solvents.

ADJUSTING THE BACKREST

The Backrest (15) can be set to four different positions: a level position, two decline positions and an incline position.

To change the position of the Backrest (15), move the Adjustment Tube (29) to a different set of adjustment brackets in the Uprights (1, 37). To set the Backrest (15) to the lowest decline position, remove the Adjustment Tube (29) and lower the Backrest directly onto the Crossbar (20).

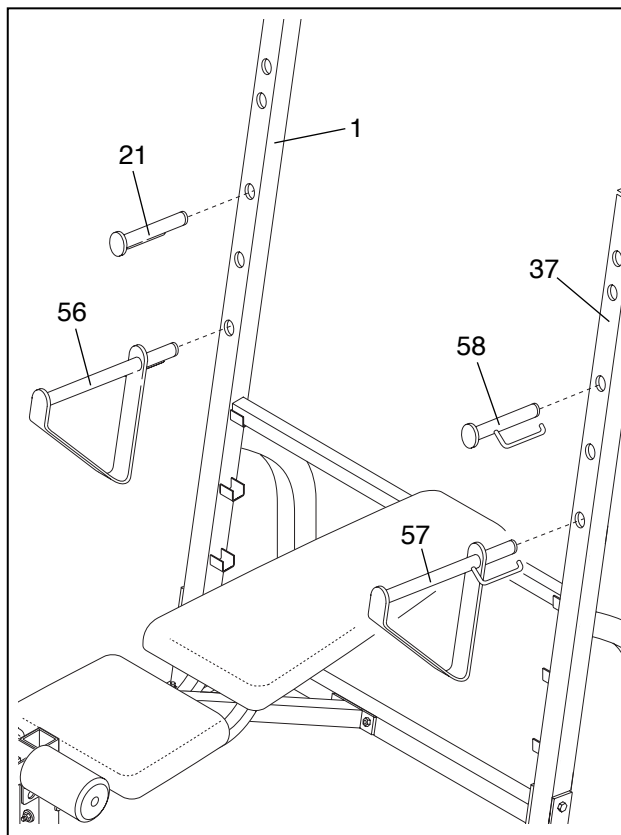


USING THE WEIGHT RESTS AND SAFETY SPOTTERS

Before beginning an exercise, insert the Weight Rests (21, 58) and the Safety Spotters (56, 57) into the holes in the Uprights (1, 37) that are best suited for the exercise. The selected holes should be at the lowest point to which you want your barbell to go during the exercise. Perform the exercise as shown on the accompanying exercise poster. **Note: Make sure that the locking clips are hooked around the Uprights.**

Important: The Safety Spotters (56, 57) are designed to be safety devices. Their primary function is to minimize the risk of injury if the barbell is dropped during standing exercises. The Safety Spotters are deliberately designed to bend when hit with a barbell loaded with heavy weights. This minimizes the risk of the barbell bouncing off the Safety Spotters and causing injury to the user. If you accidentally bend the Safety Spotters, please call our Customer Service Department (see the front cover of this manual) to order replacement Safety Spotters.

WARNING: Always set both weight rests and both safety spotters at the same height.



ATTACHING THE CURL POST OR LAT TOWER

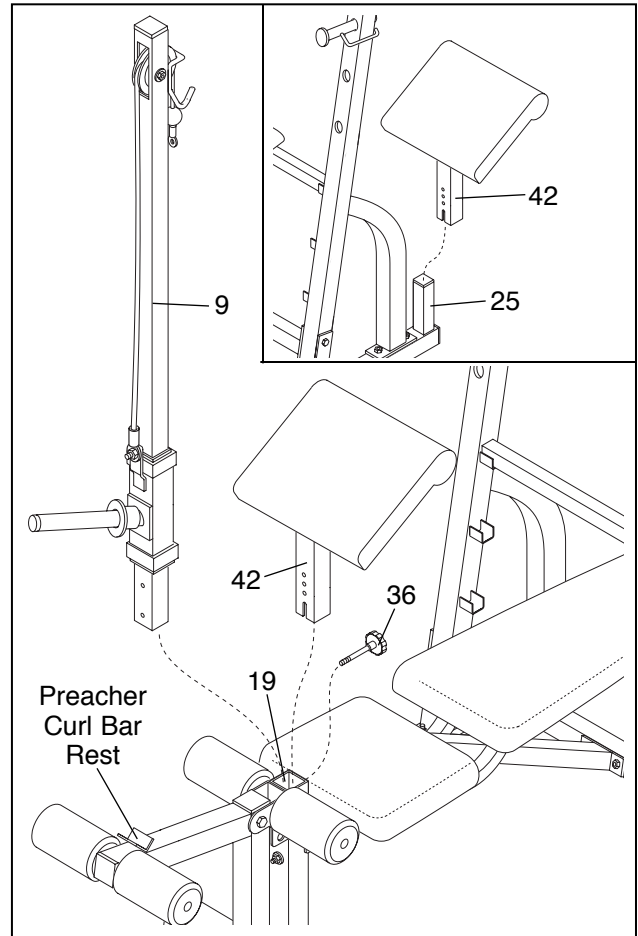
For some exercises, the Curl Post (42) must be attached to the weight bench.

Insert the Curl Post (42) into the indicated hole in the Front Leg (19). Align the holes in the Front Leg and the Curl Post. Secure the Curl Post with the Adjustment Knob (36). **Make sure that you fully tighten the Adjustment Knob.**

For other exercises, the Lat Tower (9) must be attached to the weight bench.

Insert the Lat Tower (9) into the indicated hole in the Front Leg (19). Align the holes in the Front Leg and the Lat Tower. Secure the Lat Tower with the Adjustment Knob (36). **Make sure that you fully tighten the Adjustment Knob.**

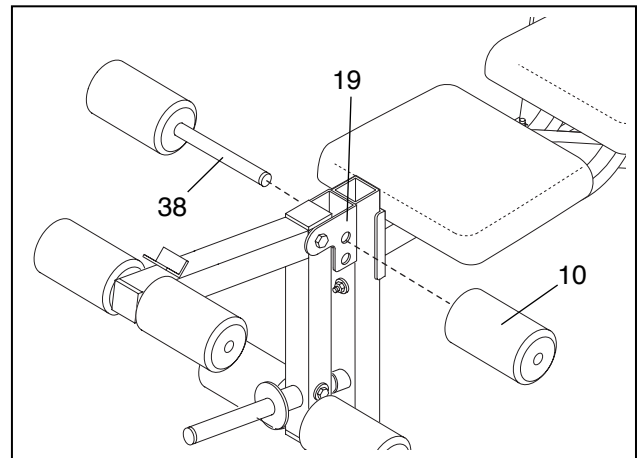
When the Lat Tower or Curl Post are not in use, they can be stored in the vertical tube on the Left Stabilizer (25, see the inset drawing). However, for some exercises, you should store these parts away from the weight bench so they do not interfere with your exercise.



ADJUSTING THE PAD TUBE

The Pad Tube (38) that is inserted into the Front Leg (19) can be adjusted to either a high position or a low position.

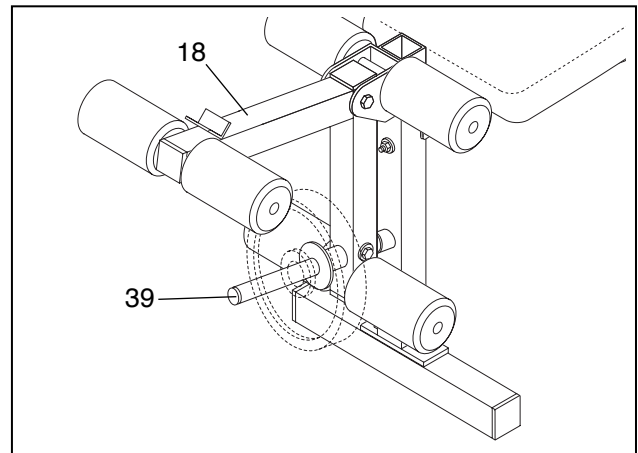
To adjust the Pad Tube (38), remove one Foam Pad (10). Slide the Pad Tube out of the bracket on the Front Leg (19) and re-insert it into the other hole in the bracket. Slide the Foam Pad back onto the Pad Tube.



ATTACHING WEIGHTS TO THE LEG LEVER

To use the Leg Lever (18), slide the desired amount of weight (not included) onto the Weight Tube (39).

WARNING: Do not place more than 130 pounds on the leg lever.



ADJUSTING THE BENCH FOR SQUAT EXERCISES

To perform squat or toe raise exercises, fold the Backrest (15) into the upright position by lifting and pulling it forward as far as it will go.

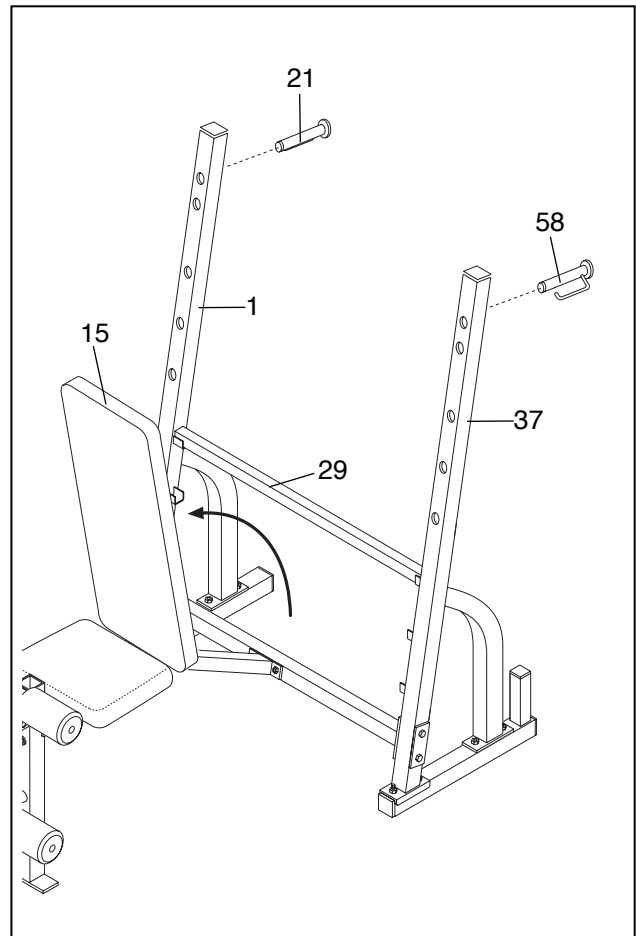
Remove the Adjustment Tube (29) from the Uprights (1, 37).

Insert the Weight Rests (21) into one of the two highest sets of holes in the Uprights (1, 37). **Important: For squat exercises, the Weight Rests must be inserted from the back, as shown.**

WARNING: Always fold the backrest out of the way when performing squat exercises. Do not sit on the seat when the backrest is folded.

WARNING: Always place 50 pounds on the leg lever to balance the bench when performing squat exercises.

WARNING: Do not stand with your back to the weight bench when performing squat exercises. You should be able to see the weight rests while exercising so that you can safely return the barbell when you finish the exercise.

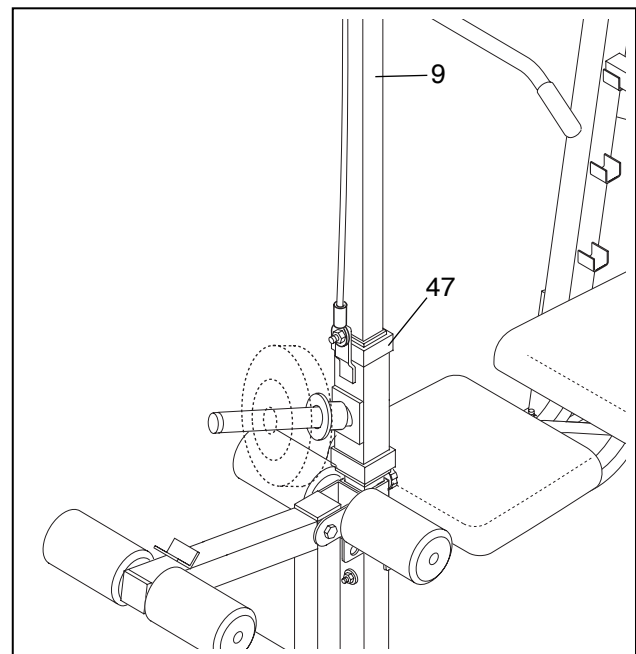


ATTACHING WEIGHTS TO THE WEIGHT CARRIAGE

To use the Lat Tower (9), slide the desired amount of weight (not included) onto the weight tube on the Weight Carriage (47).

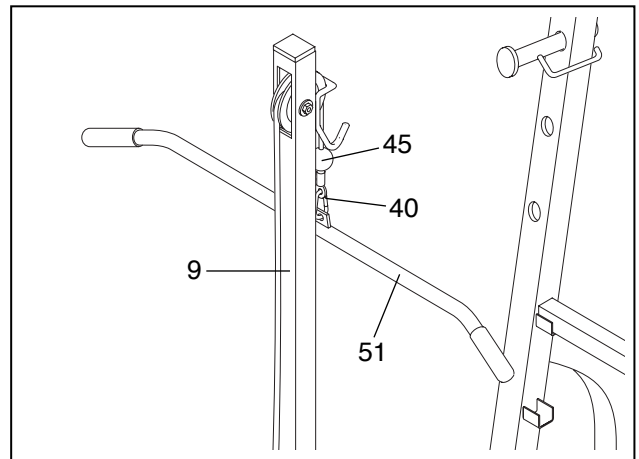
WARNING: Do not place more than 130 pounds on the weight carriage.

When performing an exercise during which you are sitting on the bench with your back to the lat tower, make sure there is plenty of space between your back and the weight carriage. Always lower the weight carriage in a controlled manner. Never let the weight carriage drop.



ATTACHING THE LAT BAR TO THE LAT TOWER

To use the Lat Tower (9), attach the Lat Bar (51) to the Cable (45) with a Cable Clip (40).



Exercise Guidelines

THE FOUR BASIC TYPES OF WORKOUTS

Muscle Building

The only way to increase the size and strength of your muscles is to push them close to their maximum capacity. When you progressively increase the intensity of your exercise, your muscles will continually adapt and grow. You can tailor the individual exercise to the proper intensity level in two ways:

- by changing the amount of weight used
- by changing the number of repetitions or sets performed. (A “repetition” is one complete cycle of an exercise, such as one sit-up. A “set” is a series of repetitions.)

The proper amount of weight for each exercise obviously depends upon the individual user. You must gauge your limits and select the amount of weight that is right for you. Begin with 3 sets of 8 repetitions for each exercise you perform. Rest for 3 minutes after each set. When you can complete 3 sets of 12 repetitions without difficulty, increase the amount of weight.

Toning

You can tone your muscles by pushing them to a moderate percentage of their capacity. Select a moderate amount of weight and increase the number of repetitions in each set. Complete as many sets of 15 to 20 repetitions as possible without discomfort. Rest for 1 minute after each set. Work your muscles by completing more sets rather than by using high amounts of weight.

Weight Loss

To lose weight, use a low amount of weight and increase the number of repetitions in each set. Exercise for 20 to 30 minutes, resting for a maximum of 30 seconds between sets.

Cross Training

Many people desire a complete and well-balanced fitness program, and cross training is a very efficient way to accomplish this. One example of a balanced program is:

- Plan weight training workouts on Monday, Wednesday and Friday.
- Plan 20 to 30 minutes of aerobic exercise, such as cycling or swimming on Tuesday and Thursday.
- Rest from both weight training and aerobic exercise for at least one full day each week to give your body time to regenerate.

The combination of weight training and aerobic exercise will reshape and strengthen your body plus develop your heart and lungs.

PERSONALIZING YOUR EXERCISE PROGRAM

Specifying the exact length of time for each workout, as well as the number of repetitions or sets for each exercise, is a highly individual matter. It is very important to avoid overdoing it during the first few months of your exercise program. You should progress at your own pace and be sensitive to your body's signals. If you experience pain or dizziness at any time while exercising, stop immediately and begin cooling down. Find out what is wrong before continuing. Remember that adequate rest and a proper diet are important factors in any exercise program.

WARMING UP

Begin each workout with 5 to 10 minutes of stretching and light exercise to warm up. Warming up prepares your body for more strenuous exercise by increasing circulation, raising your body temperature and delivering more oxygen to your muscles.

WORKING OUT

Each workout should include 6 to 10 different exercises. Select exercises for every major muscle group with emphasis on the areas that you want to develop the most. To give balance and variety to your workouts, vary the exercises from session to session.

Schedule your workouts for the time of day when your energy level is the highest. Each workout should be followed by at least one day of rest. Once you find the schedule that is right for you, stick with it.

EXERCISE FORM

You will gain the greatest benefits from exercising by maintaining proper form. This requires moving through the full range of motion for each exercise and moving only the appropriate parts of the body. Exercising in an uncontrolled manner will leave you feeling exhausted. On the exercise poster accompanying this manual, you will find photographs showing the correct form for several exercises. A description of each exercise is also provided, along with a list of the muscles affected. Refer to the muscle chart on page 18 to find the locations of the muscles.

The repetitions in each set should be performed smoothly and without pausing. The exertion stage of each repetition should last about half as long as the return stage. Proper breathing is important. Exhale during the exertion stage of each repetition and inhale during the return stroke. Never hold your breath!

You should rest for a short period of time after each set. The ideal resting periods are:

- Rest three minutes after each set for a muscle building workout
- Rest one minute after each set for a toning workout
- Rest 30 seconds after each set for a weight loss workout

Plan to spend the first couple of weeks familiarizing yourself with the equipment and learning the proper form for each exercise.

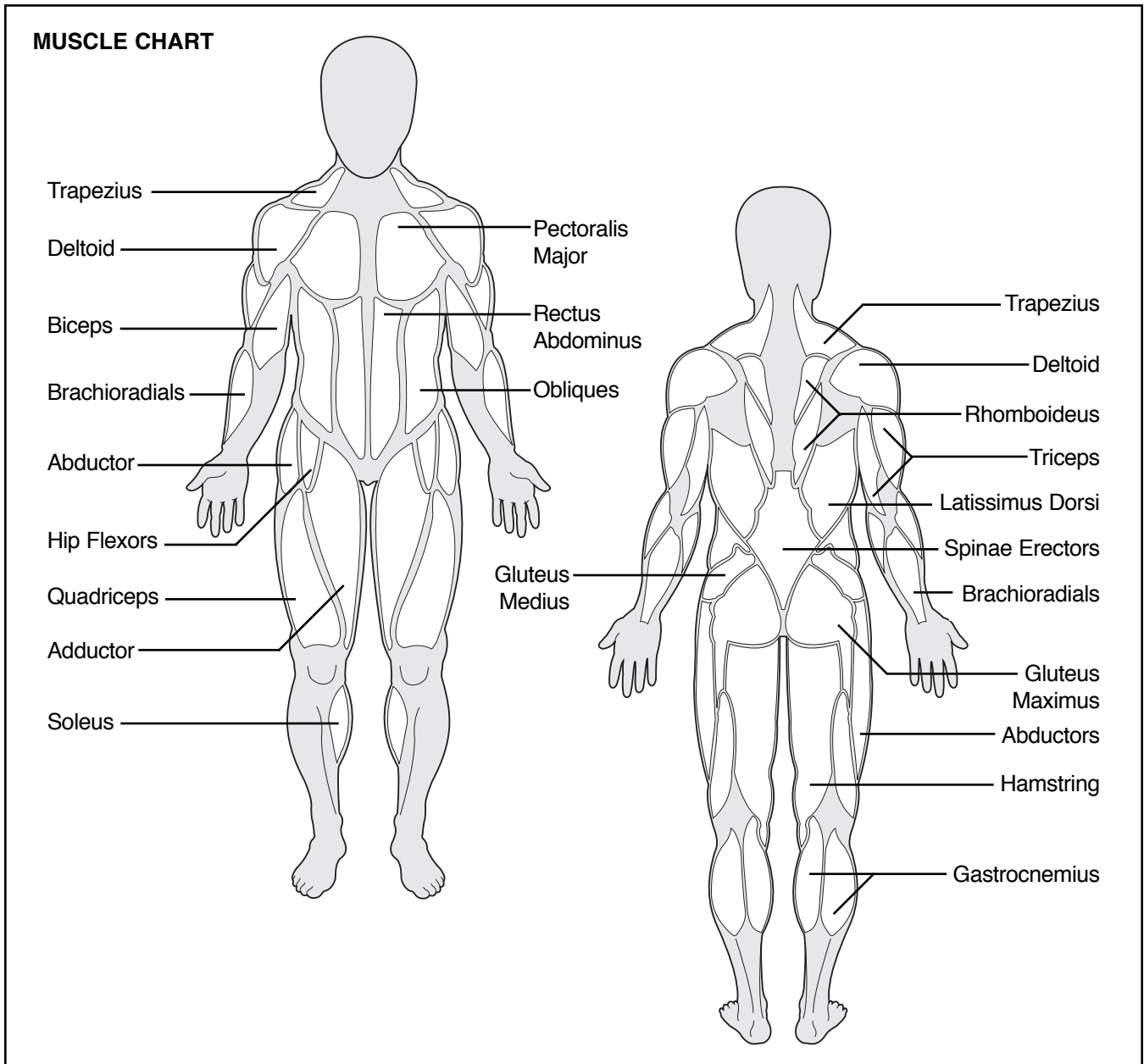
COOLING DOWN

End each workout with 5 to 10 minutes of stretching. Include stretches for both your arms and legs. Move slowly as you stretch and do not bounce. Ease into

each stretch gradually and go only as far as you can without strain. Stretching at the end of each workout is very effective for increasing flexibility.

STAYING MOTIVATED

For motivation, keep a record of each workout. The chart on page 19 of this manual can be photocopied and used to schedule and record your workouts. List the date, the exercises performed, the weight plus the numbers of sets and repetitions completed. Record your weight and key body measurements at the end of every month. Remember, the key to achieving the greatest results is to make exercise a regular and enjoyable part of your everyday life.



MONDAY Date: _____ / ____ / ____	EXERCISE	WEIGHT	SETS	REPS

TUESDAY **AEROBIC EXERCISE**
 Date: _____ / ____ / ____

WEDNESDAY Date: _____ / ____ / ____	EXERCISE	WEIGHT	SETS	REPS

THURSDAY **AEROBIC EXERCISE**
 Date: _____ / ____ / ____

FRIDAY Date: _____ / ____ / ____	EXERCISE	WEIGHT	SETS	REPS

Make photocopies of this page for scheduling and recording your workouts.

Part List—Model No. PFBE64490

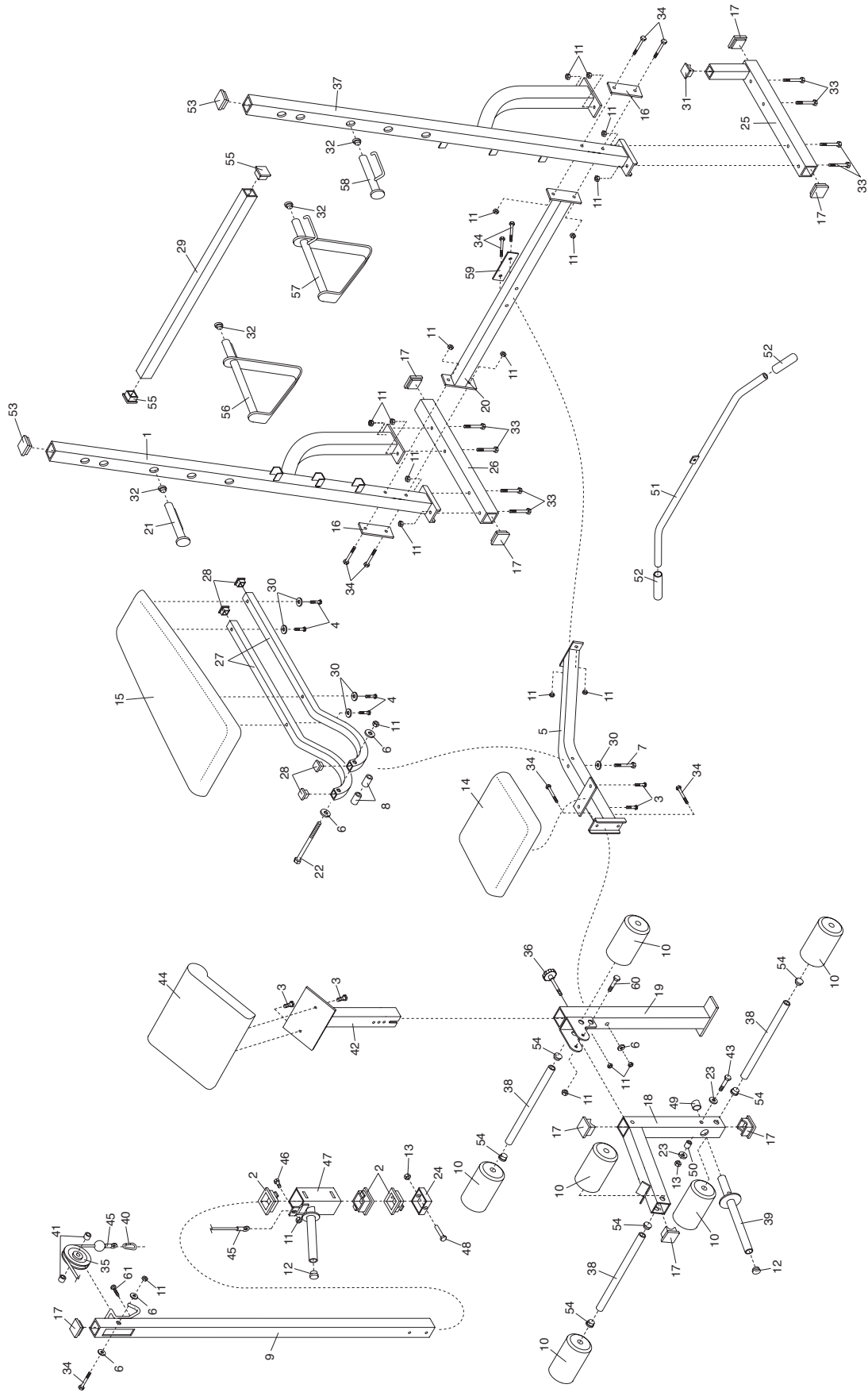
R1299A

Key No.	Qty.	Description	Key No.	Qty.	Description
1	1	Right Upright	33	8	M10 x 62mm Carriage Bolt
2	3	Carriage Bushing	34	8	M10 x 68mm Bolt
3	4	M6 x 16mm Screw	35	1	Pulley
4	4	M6 x 38mm Screw	36	1	Adjustment Knob
5	1	Bench Frame	37	1	Left Upright
6	5	M10 Washer	38	3	Pad Tube
7	1	M6 x 63mm Screw	39	1	Weight Tube
8	2	16mm x 18.5mm Spacer	40	1	Cable Clip
9	1	Lat Tower	41	2	Pulley Spacer
10	6	Foam Pad	42	1	Curl Post
11	20	M10 Nylon Locknut	43	1	M8 x 64mm Bolt
12	2	1" Round Inner Cap	44	1	Curl Pad
13	2	M8 Nylon Locknut	45	1	Cable
14	1	Seat	46	1	M10 x 19mm Bolt
15	1	Backrest	47	1	Weight Carriage
16	2	Upright Support Plate	48	1	M8 x 70mm Bolt
17	8	2" Square Inner Cap	49	1	Angle Cap
18	1	Leg Lever	50	1	Leg Lever Spacer
19	1	Front Leg	51	1	Lat Bar
20	1	Crossbar	52	2	Grip
21	1	Right Weight Rest	53	2	51mm x 76mm Inner Cap
22	1	M10 x 155mm Bolt	54	6	3/4" Round Inner Cap
23	2	M8 Washer	55	2	30mm Square Inner Cap
24	1	Carriage Stop	56	1	Right Safety Spotter
25	1	Left Stabilizer	57	1	Left Safety Spotter
26	1	Right Stabilizer	58	1	Left Weight Rest
27	2	Backrest Tube	59	1	Crossbar Support Plate
28	4	1" Square Inner Cap	60	1	M10 x 75mm Bolt
29	1	Adjustment Tube	61	1	Stop Screw
30	5	M6 Washer	#	1	User's Manual
31	1	38mm Square Inner Cap	#	1	Exercise Poster
32	4	1" Round Inner Cap			

Note: “#” indicates a non-illustrated part. Specifications are subject to change without notice. See the back cover of the user's manual for information about ordering replacement parts.

Exploded Drawing—Model No. PFBE64490

R1299A



Ordering Replacement Parts

To order replacement parts, simply call our Customer Service Department toll-free at 1-800-999-3756, Monday through Friday, 6 a.m. until 6 p.m. Mountain Time (excluding holidays). To help us assist you, please be prepared to give the following information when calling:

1. The MODEL NUMBER of the product (PFBE64490)
2. The NAME of the product (PROFORM® 735 weight bench)
3. The SERIAL NUMBER of the product (see the front cover of this manual)
4. The KEY NUMBER and DESCRIPTION of the desired part(s) (see the PART LIST and the EXPLODED DRAWING at the center of this manual).

Limited Warranty

ICON Health & Fitness, Inc. (ICON), warrants this product to be free from defects in workmanship and material, under normal use and service conditions, for a period of ninety (90) days from the date of purchase. This warranty extends only to the original purchaser. ICON's obligation under this warranty is limited to replacing or repairing, at ICON's option, the product at one of its authorized service centers. All products for which warranty claim is made must be received by ICON at one of its authorized service centers with all freight and other transportation charges prepaid, accompanied by sufficient proof of purchase. All returns must be pre-authorized by ICON. This warranty does not extend to any product or damage to a product caused by or attributable to freight damage, abuse, misuse, improper or abnormal usage or repairs not provided by an ICON authorized service center, products used for commercial or rental purposes, or products used as store display models. No other warranty beyond that specifically set forth above is authorized by ICON.

ICON is not responsible or liable for indirect, special or consequential damages arising out of or in connection with the use or performance of the product or damages with respect to any economic loss, loss of property, loss of revenues or profits, loss of enjoyment or use, costs of removal, installation or other consequential damages of whatsoever nature. Some states do not allow the exclusion or limitation of incidental or consequential damages. Accordingly, the above limitation may not apply to you.

The warranty extended hereunder is in lieu of any and all other warranties and any implied warranties of merchantability or fitness for a particular purpose is limited in its scope and duration to the terms set forth herein. Some states do not allow limitations on how long an implied warranty lasts. Accordingly, the above limitation may not apply to you.

This warranty gives you specific legal rights. You may also have other rights which vary from state to state.

ICON HEALTH & FITNESS, INC., 1500 S. 1000 W., LOGAN, UT 84321-9813

PROFORM® is a registered trademark of ICON Health & Fitness, Inc.

Free Manuals Download Website

<http://myh66.com>

<http://usermanuals.us>

<http://www.somanuals.com>

<http://www.4manuals.cc>

<http://www.manual-lib.com>

<http://www.404manual.com>

<http://www.luxmanual.com>

<http://aubethermostatmanual.com>

Golf course search by state

<http://golfingnear.com>

Email search by domain

<http://emailbydomain.com>

Auto manuals search

<http://auto.somanuals.com>

TV manuals search

<http://tv.somanuals.com>