

User's Manual

Supports up to 100 lbs / 45 kg 

UA-PRO210

Included Mounting Hardware

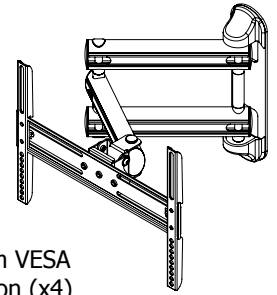


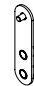
5 & 6 mm hex key

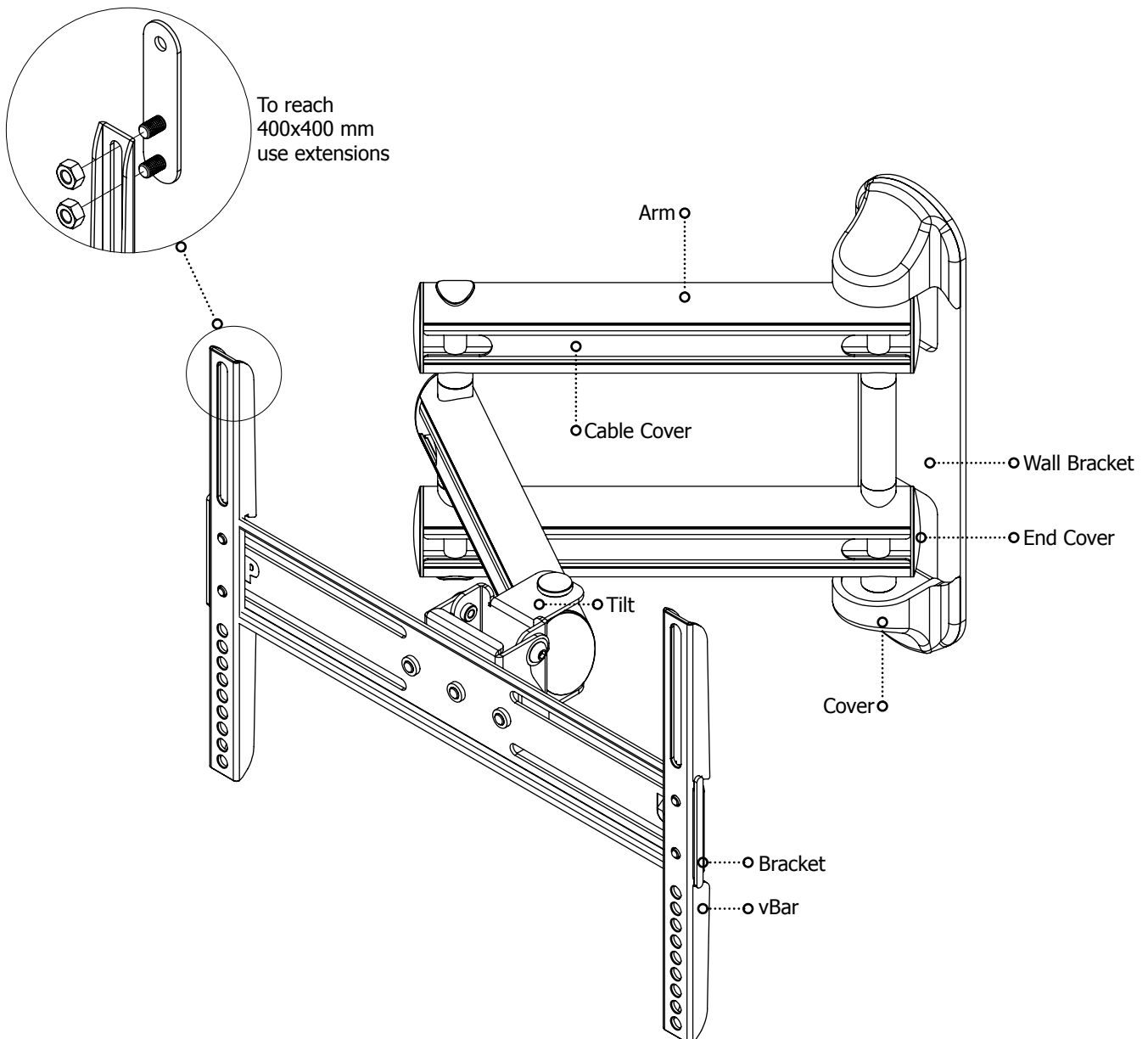
- 1 UA-PRO210 mount (x1)
- 2 M4, M5 & M6 x 10 bolts (x4)
- 3 M4, M5 & M6 x 12 bolts (x4)
- 4 M4, M5 & M6 x 25 bolts (x4)
- 5 M4, M5 & M6 x 40 bolts (x4)
- 6 5/16" x 3" lag bolts (x2)
- 7 Concrete anchors (x2)
- 8 Ø 10 washers (x2)
- 9 Square washers

You Will Need

- A Level
- B Stud Finder
- C Marker
- D Drill
- E 3/16" or 3/8" drill bit
- F Hammer



 400 mm VESA extension (x4)












WARNINGS & CAUTIONS

UA-PRO210

IT IS HIGHLY RECOMMENDED THAT THIS PRODUCT BE INSTALLED BY A PROFESSIONAL.

PLEASE REVIEW THIS INSTRUCTION MANUAL COMPLETELY BEFORE STARTING THE INSTALLATION PROCESS.

-  **WARNING:** A WARNING alerts you to the possibility of serious injury or death if you do not follow the instructions.
-  **CAUTION:** A CAUTION alerts you the possibility of damage or destruction of equipment if you do not follow the corresponding instruction.
-  **WARNING:** Improper installation can result in serious personal injury! Make sure that the structural members can support a weight factor five times the total weight of the equipment. If not, reinforce the structure before starting the installation.
-  **WARNING:** Be aware also of the potential for personal injury or damage to the unit if it is not adequately mounted.
-  **WARNING:** The installer is responsible for verifying that the wall or ceiling to which the the mount is anchored will be safely support the combined load of all attached components or other equipment.
-  **WARNING:** The weight of the display placed on the mount must not exceed the maximum load capacity of the mount.
-  **WARNING:** Watch for pinch points. Do not put your fingers between movable parts.
-  **WARNING:** Make sure the mount and brackets are correctly oriented.
-  **CAUTION:** Check the unit for shipping damage before you begin the installation.

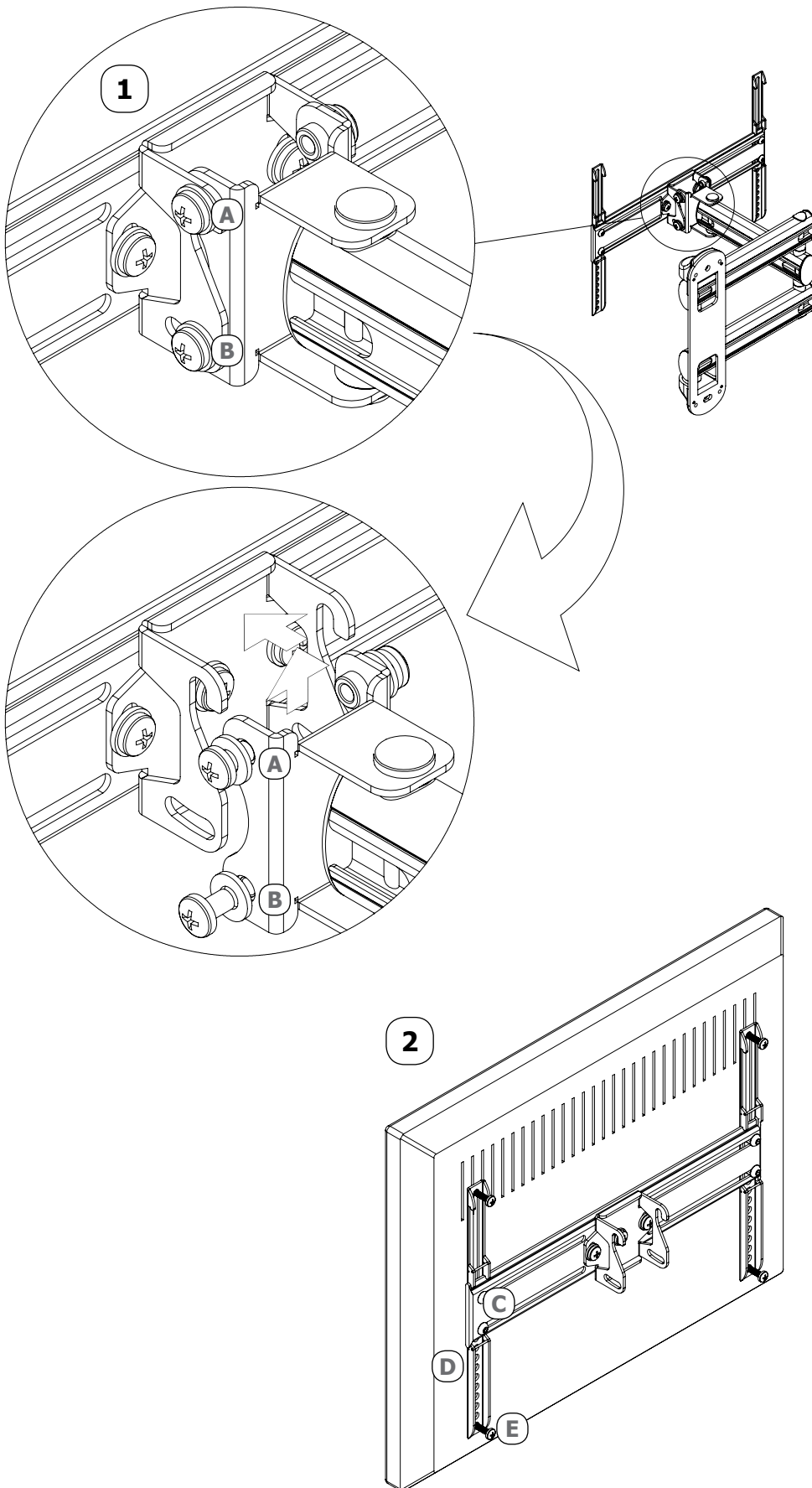
Disclaimer:

ProMounts intends to make this manual accurate and complete. However, ProMounts makes no claim that the information contained herein covers all details, conditions or variations, nor does it provide for every possible contingency in connection with the installation or use of this product. The information contained in this document is subject to change without notice or obligation of any kind. ProMounts makes no representation of warranty, expressed or implied, regarding the information contained herein. ProMounts assumes no responsibility for accuracy, completeness or sufficiency of the information contained in this document.



INSTALLATION

UA-PRO210



Step 1:

Separate arm from display bracket:

- 1.1 Dissassemble tilt mechanism by loosening top bolts (A) and removing lower bolts (B).
- 1.2 Pull up and away the display bracket from the arm.

Step 2:

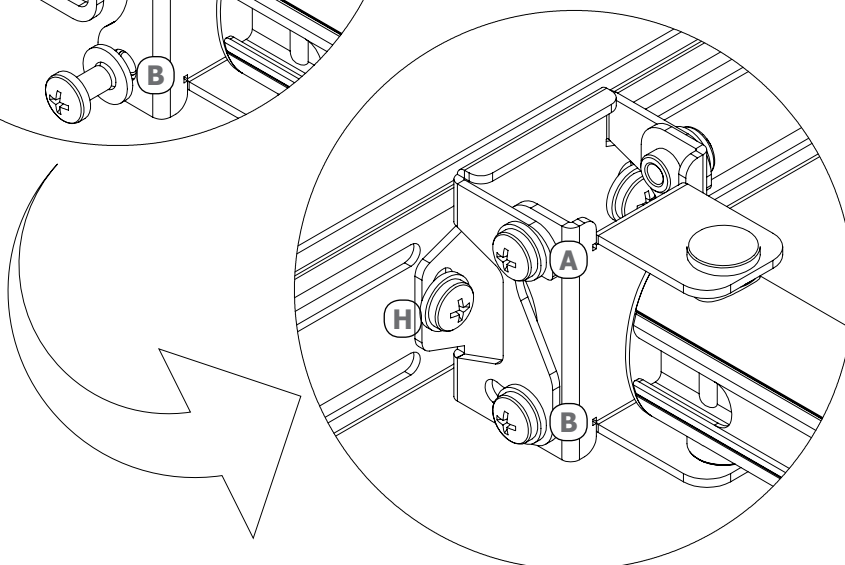
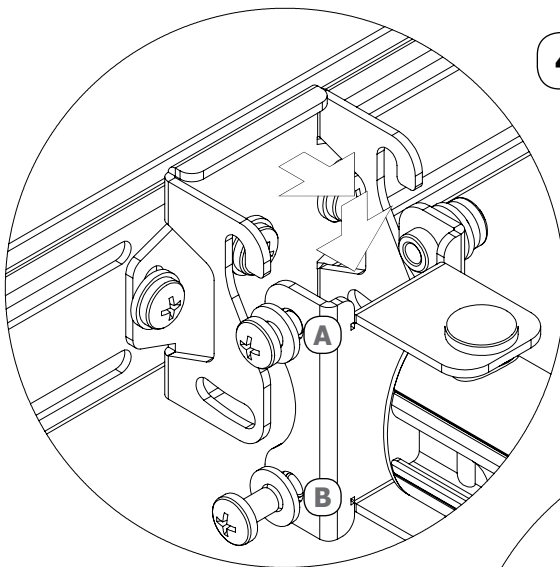
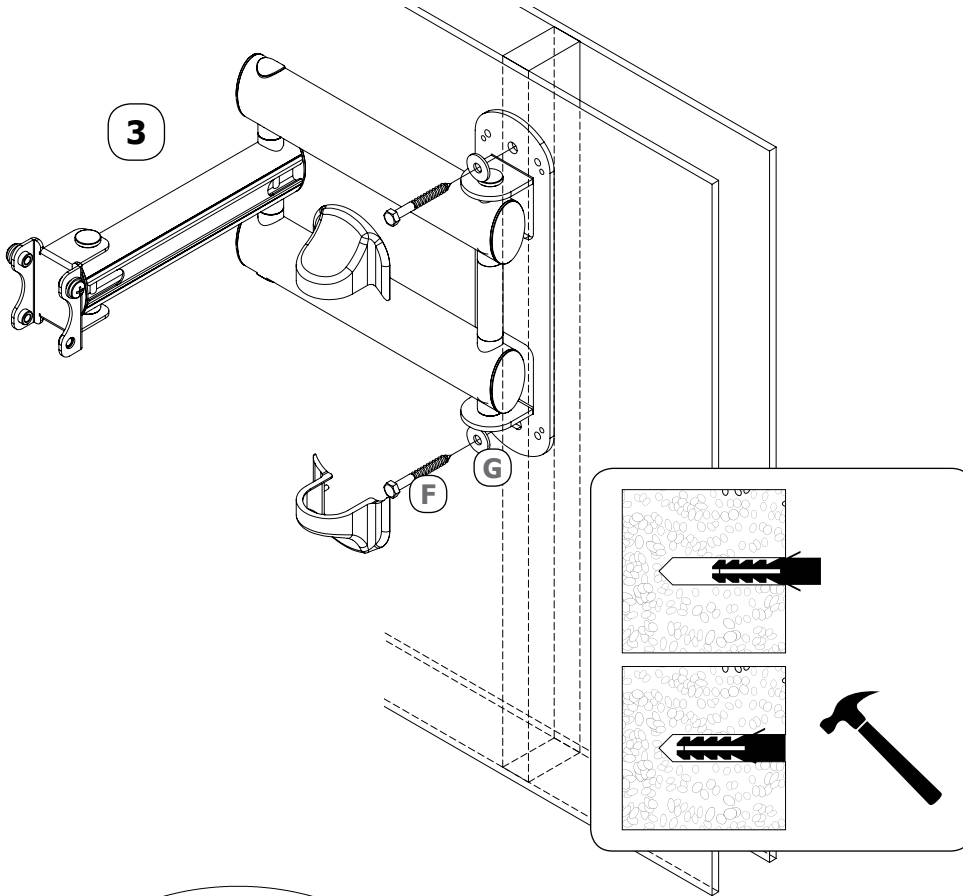
Mount TV on display bracket:

- 2.1 Loosen 4 adaptor plate bolts (C) so both VBars (D) can slide.
- 2.2 Slide Vbars to match mounting holes on TV.
- 2.3 Insert matching TV bolts (E) and tighten slightly.
- 2.4 Tighten adaptor plate bolts (D)
- 2.5 Re-assemble tilt mechanism.



INSTALLATION (2)

UA-PRO210



Step 3:

a) Mounting to a wood stud:

- 3.0a Locate the wood stud.
- 3.1a Place the mount to a suitable location and height.
- 3.2a Using a bubble level, hold the mount in a level position and mark the holes position.
- 3.3a Drill 3/16" holes.

b) Mounting to a masonry wall:

- 3.1b Place the mount to a suitable location and height.
- 3.2b Using a bubble level, hold the mount in a level position and mark the holes position.
- 3.3b Drill 3/8" holes, insert the wall anchor and tap them flush to the wall with a hammer.

- 3.4 Attach the mount to the wall with the lag bolts (F) and steel washers (G) supplied.
- 3.5 While the lag bolts are still slightly loose, check to make sure that the mounting plate is vertical. Adjust if necessary. Covered with the supplied molded caps.

Step 4:

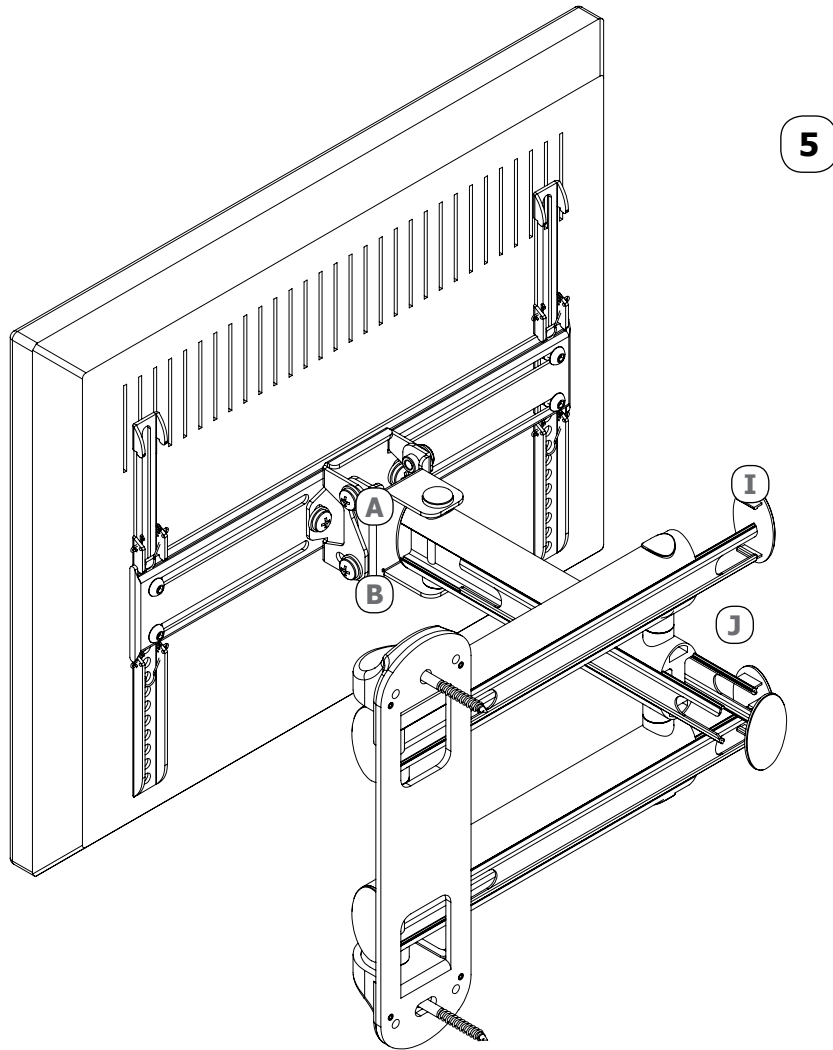
Reattach tilt mechanism:

- 4.1 Put back the display bracket on the arm hanging on left bolts (A).
- 4.2 Put back removed bolts (B).
- 4.3 Leave bolts (A and B) while adjusting tilt angle.
- 4.4 Tighten at desired position.
- 4.5 If necessary, adjust horizon with bolts (H).



INSTALLATION (3)

UA-PRO210



Step 5:

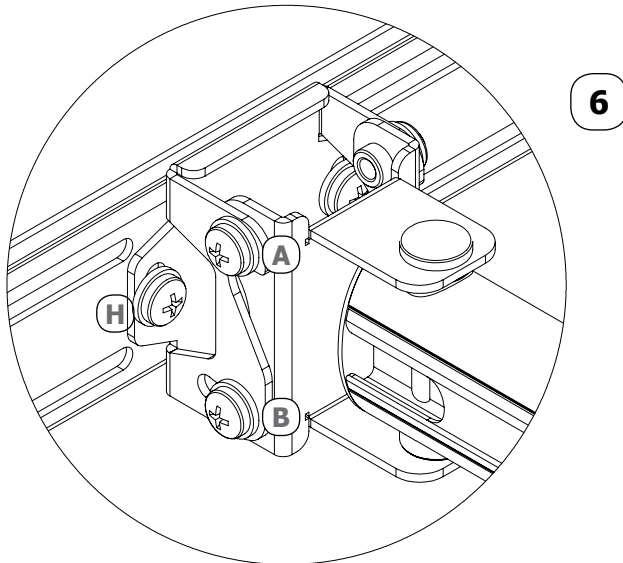
Cable Management:

5.1 To install the cable, first you need to remove the end cover (I) and slide the cable cover (J) out from the arm.

5.2 Do the same for the rest of the cable covers before installing the cables.

5.3 Install the cables and slide the covers back to the arm.

5.4 Install the end covers.



Step 6:

Adjusting the Display:

6.1 Slight loosen Bolt (A); do not loosen fully or remove it, otherwise injury may occur.

6.2 Grasp the upper and lower edge of the Display, and then push or pull the Display to the desired tilt angle.

6.3 Tighten Bolt (A).

6.4 If necessary, adjust horizon with bolts (H), as in step 4.5.

FOR MORE INFORMATION VISIT

www.promounts.com

ProMounts™ name, logo and model numbers are property of ProMounts.
© ProMounts™ 2010

Download from Www.Somanuals.com. All Manuals Search And Download.



Free Manuals Download Website

<http://myh66.com>

<http://usermanuals.us>

<http://www.somanuals.com>

<http://www.4manuals.cc>

<http://www.manual-lib.com>

<http://www.404manual.com>

<http://www.luxmanual.com>

<http://aubethermostatmanual.com>

Golf course search by state

<http://golfingnear.com>

Email search by domain

<http://emailbydomain.com>

Auto manuals search

<http://auto.somanuals.com>

TV manuals search

<http://tv.somanuals.com>