

User's Manual

Supports: 210 100lbs/45kg, 310 200lbs/91kg 

Included Mounting Hardware

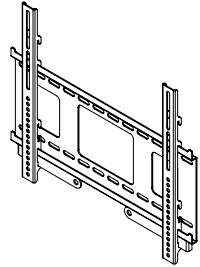
- | | | |
|----|------------------------|------|
| 1 | Mount | (x1) |
| 2 | M4, M5 & M6 x 10 bolts | (x4) |
| 3 | M4, M5 & M6 x 15 bolts | (x4) |
| 4 | M4, M5 & M6 x 25 bolts | (x4) |
| 5 | 5/16" x 3" lag bolts | (x4) |
| 6 | Concrete anchors | (x4) |
| 7 | Round washers | (x4) |
| 8 | Rectangular washers | (x4) |
| 9 | Type 1 spacers | (x4) |
| 10 | Type 2 spacers | (x4) |

You Will Need

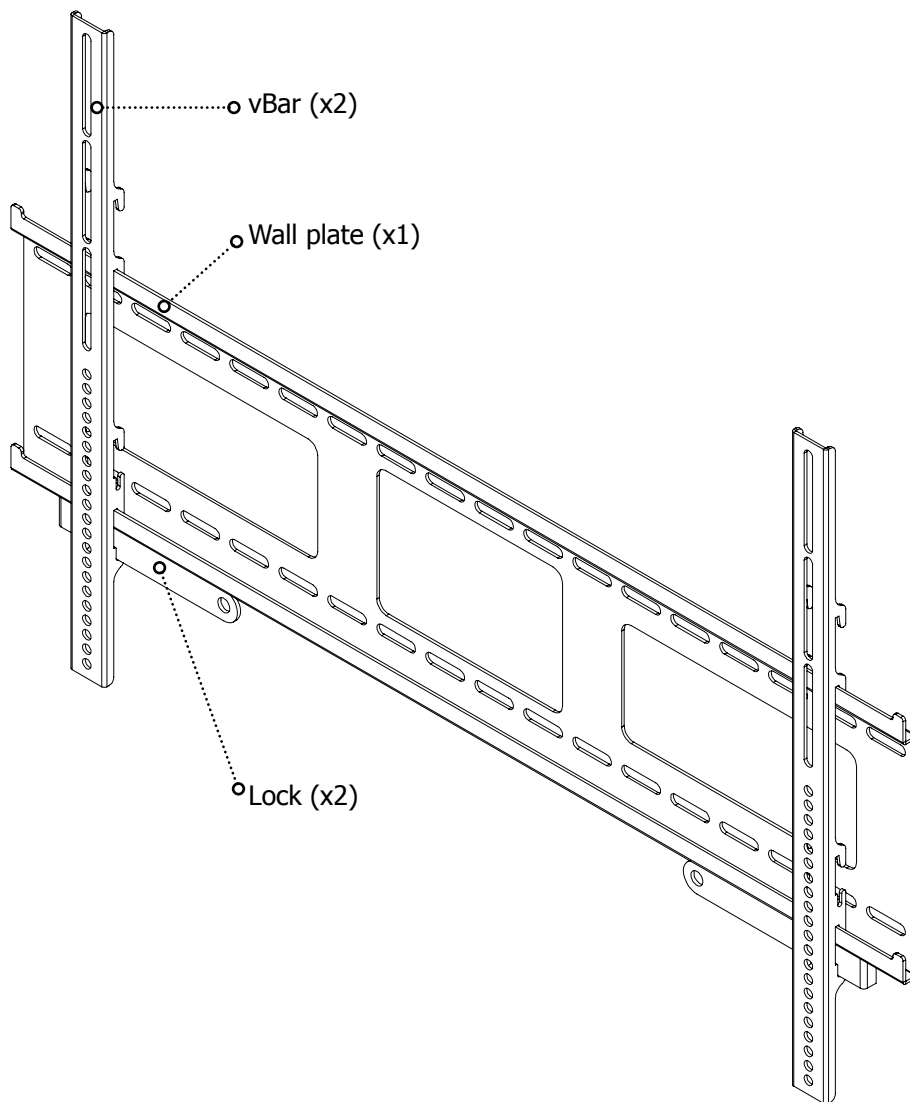
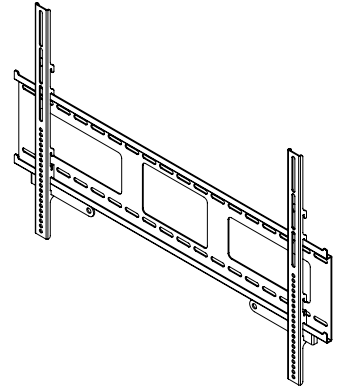
- | | | |
|---|-------------------------|------|
| A | Stud finder | (x1) |
| B | Bubble level | (x1) |
| C | Marker | (x1) |
| D | Drill | (x1) |
| E | 3/16" or 3/8" drill bit | (x1) |
| F | Hex wrench | (x1) |
| G | Hammer | (x1) |

UF-PRO 210 & 310

210



310












WARNINGS & CAUTIONS

UF-PRO 210 & 310

IT IS HIGHLY RECOMMENDED THAT THIS PRODUCT BE INSTALLED BY A PROFESSIONAL.

PLEASE REVIEW THIS INSTRUCTION MANUAL COMPLETELY BEFORE STARTING THE INSTALLATION PROCESS.

-  **WARNING:** A WARNING alerts you to the possibility of serious injury or death if you do not follow the instructions.
-  **CAUTION:** A CAUTION alerts you the possibility of damage or destruction of equipment if you do not follow the corresponding instruction.
-  **WARNING:** Improper installation can result in serious personal injury! Make sure that the structural members can support a weight factor five times the total weight of the equipment. If not, reinforce the structure before starting the installation.
-  **WARNING:** Be aware also of the potential for personal injury or damage to the unit if it is not adequately mounted.
-  **WARNING:** The installer is responsible for verifying that the wall or ceiling to which the the mount is anchored will be safely support the combined load of all attached components or other equipment.
-  **WARNING:** The weight of the display placed on the mount must not exceed the maximum load capacity of the mounts.
-  **WARNING:** Watch for pinch points. Do not put your fingers between movable parts.
-  **WARNING:** Make sure the mount and brackets are correctly oriented.
-  **CAUTION:** Check the unit for shipping damage before you begin the installation.

Disclaimer:

ProMounts intends to make this manual accurate and complete. However, ProMounts makes no claim that the information contained herein covers all details, conditions or variations, nor does it provide for every possible contingency in connection with the installation or use of this product. The information contained in this document is subject to change without notice or obligation of any kind. ProMounts makes no representation of warranty, expressed or implied, regarding the information contained herein. ProMounts assumes no responsibility for accuracy, completeness or sufficiency of the information contained in this document.

FOR MORE INFORMATION VISIT

www.promounts.com

ProMounts™ name, logo and model numbers are property of **ProMounts**.

© **ProMounts®** 2010

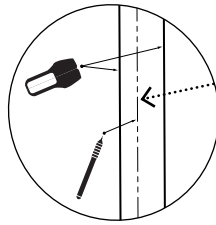
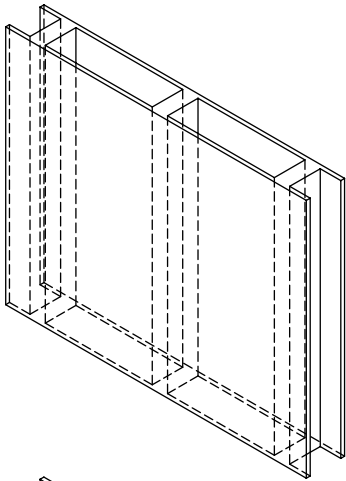
Download from Www.Somanuals.com. All Manuals Search And Download.



Installation

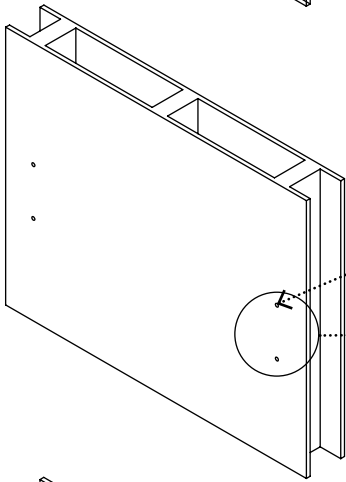
UF-PRO 210 & 310

1



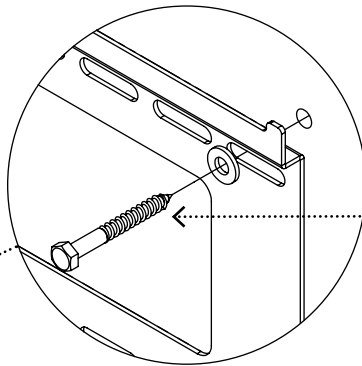
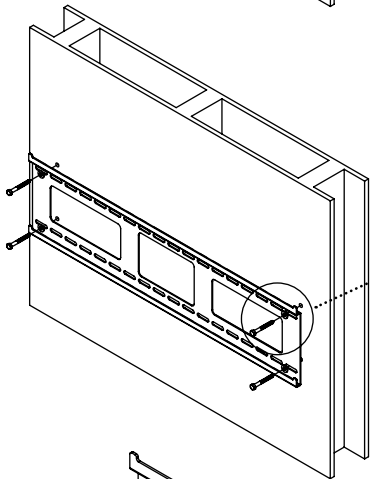
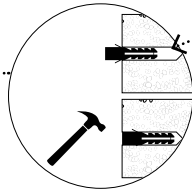
1.1 On drywall (only), with a stud-finder, locate and mark the center of the studs.

1.2 On all walls, use the wall plate to mark the location of the fixing holes.

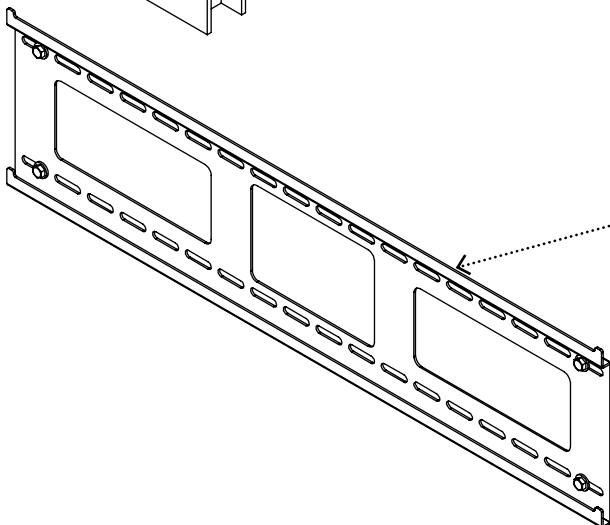


1.3 On drywall walls drill 3/16" (x4) holes. On concrete walls drill 3/8" (x4) holes.

1.4 En paredes de concreto (únicamente) inserte las anclas de concreto con ayuda de un martillo.



1.5 Fix wall plate with lag bolts and washers.

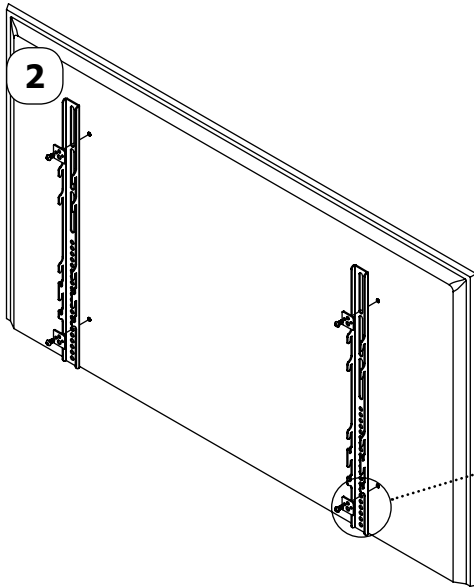


Result of steps 1.1 to 1.5

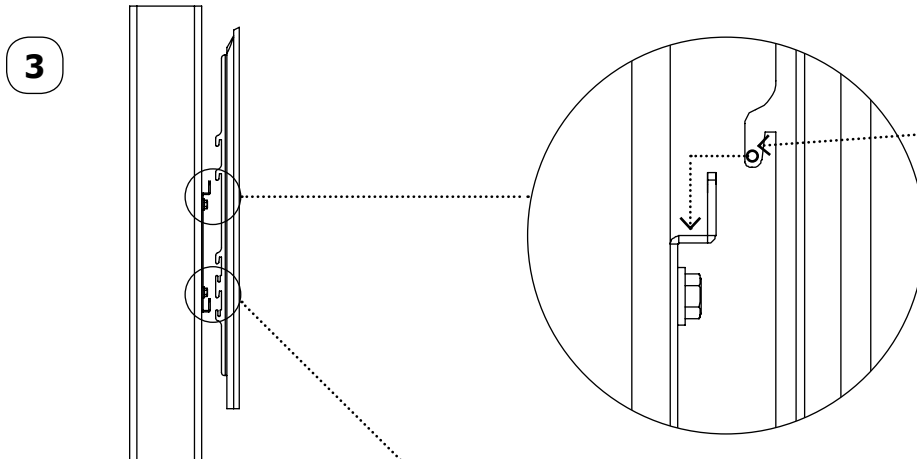


Installation (2)

UF-PRO 210 & 310

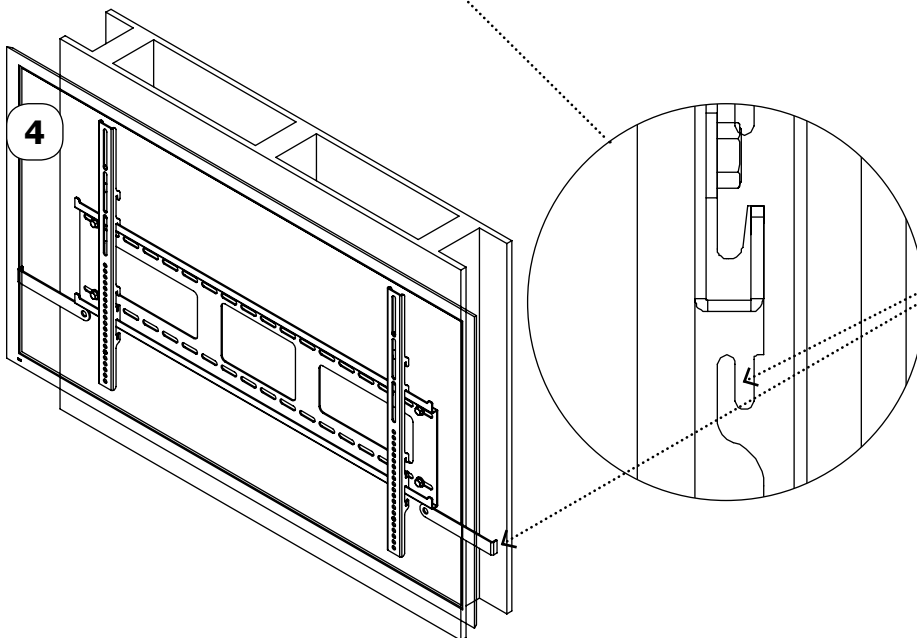


2 Using M5, M6 or M8 (x4) bolts and the square washers (x4) fix the vBars (2x) to the back of the TV.



3 Hang the TV using the hooks of the vBars on the lip of the wall plate. Make sure it is hanging from the upper and lower lips of the wall plate.

Note: There are two sets of hooks on each vBar for two different height TV positions.



4 Slide in the lock bars (2x) into the vBar, just below the wall plate. To remove the TV you must remove the locks first.



Free Manuals Download Website

<http://myh66.com>

<http://usermanuals.us>

<http://www.somanuals.com>

<http://www.4manuals.cc>

<http://www.manual-lib.com>

<http://www.404manual.com>

<http://www.luxmanual.com>

<http://aubethermostatmanual.com>

Golf course search by state

<http://golfingnear.com>

Email search by domain

<http://emailbydomain.com>

Auto manuals search

<http://auto.somanuals.com>

TV manuals search

<http://tv.somanuals.com>