



BLACK



SILVER

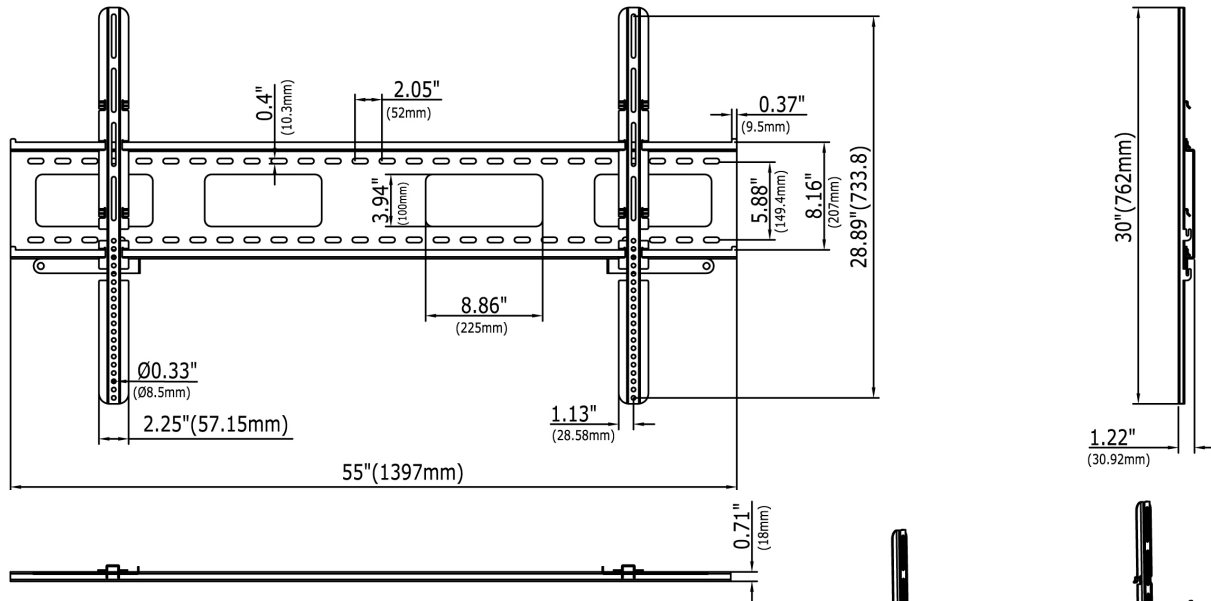
**MAXIMUM LOAD 400LBS (181.8KG)**

www.promounts.com

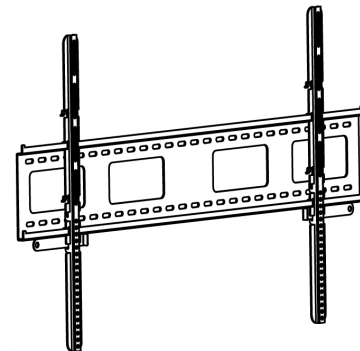
## Universal Flat Mount for 60" to 100" flat panels

The UF-PRO400 adjustable universal flat mount is designed for very large flat panel displays up to **400lbs (181.8kg)**. Its slim design makes it one of the closest to the wall, and patented V-Bar technology allows fast installation and removal plus post installation vertical and horizontal adjustment. Wall attachment is to at least three wood studs within a 48" span or similar three hole spacing in concrete.

- One piece mounting plate with very large openings for cable access and J boxes
- Slim design only 1.5" deep yet allows ample room for cables
- Universal design; no additional panel adapter needed
- VESA compliant: 75, 100, 200, 400, 200 x 100, 600 x 400, 800 x 400, 1300 x 700
- Post assembly vertical adjustment
- All panel and wall mounting hardware included
- Includes security hardware and accepts padlocks
- Manufacturer's limited lifetime warranty



The ProMount UF-PRO400 universal mount is compatible with virtually all flat panels within the specified weight and size range.



## MAXIMUM LOAD 400LBS (181.8KG)

### Specifications

Fits most flat panels between 60" and 100"  
 Horizontal hole spacing max: 53.5" (1362mm)  
 Vertical hole spacing max: 28.9" (735mm)  
 VESA compliant: 75, 100, 200, 400, 200 x 100  
 600 x 400, 800 x 400, 1300 x 700

### Dimensions

55.5" w x 10" d x 2" h  
 (1412mm x 255mm x 51mm)

### Weight

21lbs (9.5kg)

Architects and Consultants: please contact ProMounts customer service for necessary drawings and files. For complete high resolution images, technical specifications and drawings please visit [www.promounts.com](http://www.promounts.com) and click on Download Center.

**ProMounts:** 5741 Buckingham Parkway, Unit C, Culver City, CA 90230 **Phone:** 866 668 6872, or 310 645 6400  
**Email:** [info@promounts.com](mailto:info@promounts.com) **Fax:** 310 645 0189 **ProMounts** is a division of Scadlock LLC

### Post Assembly Adjustment

Horizontal adjustment: 75 VESA: 25" L or R from ctr.  
 100 VESA: 24.5" L or R from ctr.  
 200 VESA: 22.5" L or R from ctr.  
 400 VESA: 18.5" L or R from ctr.  
 600 VESA: 14.5" L or R from ctr.  
 800 VESA: 10.5" L or R from ctr.

Vertical adjustment: 2.25" (57mm)

### Wall Mounting

Three wood studs within a 48" span or similar three hole spacing in concrete

## Free Manuals Download Website

<http://myh66.com>

<http://usermanuals.us>

<http://www.somanuals.com>

<http://www.4manuals.cc>

<http://www.manual-lib.com>

<http://www.404manual.com>

<http://www.luxmanual.com>

<http://aubethermostatmanual.com>

Golf course search by state

<http://golfingnear.com>

Email search by domain

<http://emailbydomain.com>

Auto manuals search

<http://auto.somanuals.com>

TV manuals search

<http://tv.somanuals.com>