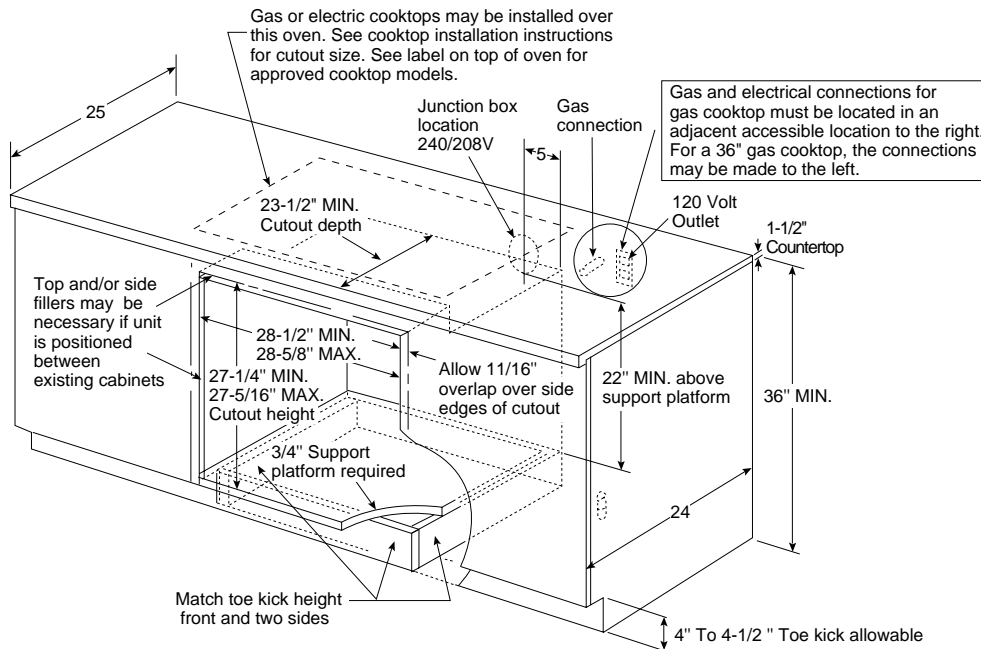




Profile™

## JTP18BABB - GE Profile™ 30" Single Wall Oven

### Undercounter Installation (in inches)



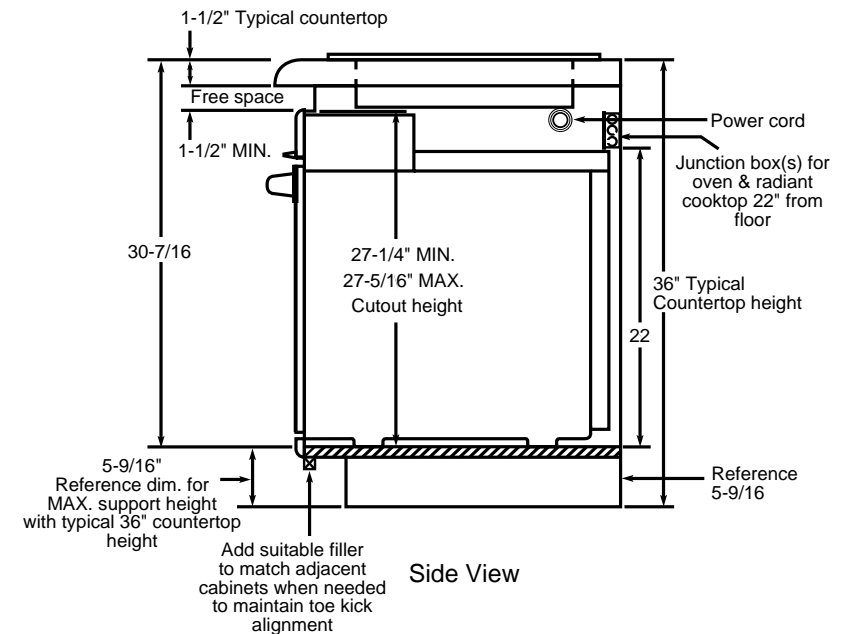
**Note:** Oven is rated for use only under the following cooktops:

- GE 30" and 36" electric coil and CleanDesign cooktops (Excluding Induction)
- GE 30" and 36" gas standard and sealed burner cooktops

**Note:** Gas or electric cooktops may be installed over this oven. See cooktop installation instructions for cutout size. See label on back of oven for approved cooktop models.

**Installation Information:** Before installing, consult installation instructions [Pub. No. 31-10125] packed with product for current dimensional data and for alternate installation options.

### Optional Custom Installation for 30" CleanDesign (Excluding Induction) or Sealed Burner Gas Cooktop (in inches)



This installation is to achieve minimum gap between bottom of countertop and control panel.

**Note:** For this installation, the bottom trim **will not** be flush with a typical 4" toe kick.

**Note:** Cabinets installed adjacent to wall ovens must have an adhesion spec of at least 194°

For answers to your Monogram®, GE Profile Performance Series™, GE Profile™ or GE appliance questions, call GE Answer Center® service, 800.626.2000.



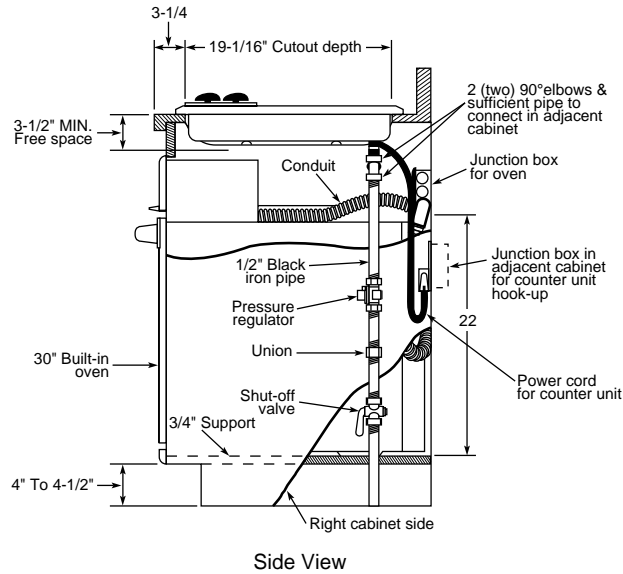
Specification Revised 6/99



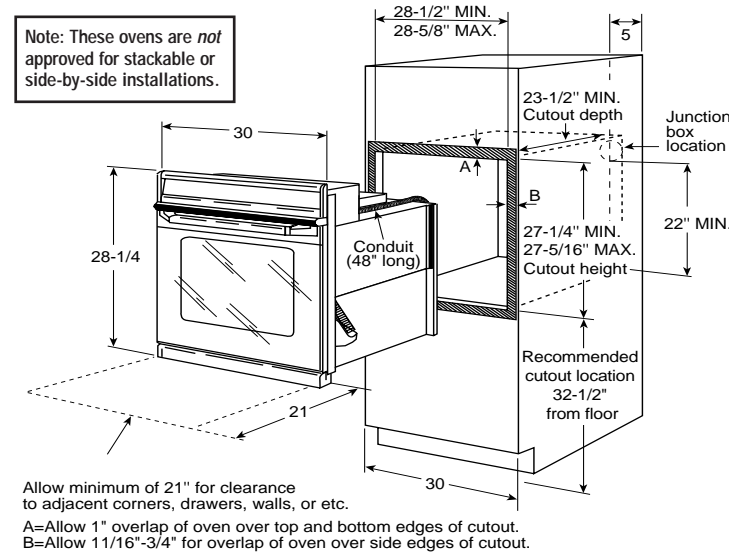
Profile™

# JTP18BABB - GE Profile™ 30" Single Wall Oven

## Optional Undercounter Installation with 36" Gas Cooktop (in inches)



## Single Oven Wall-Mount or Cabinet Installation Dimensions (in inches)



KW Rating	
240V	3.6
208V	2.7
Breaker Size	
20 Amps <sup>†</sup>	

<sup>†</sup>Note: Check local codes for required breaker size

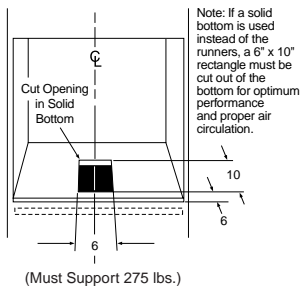
Note: Oven is rated for use only under the following cooktops:

- GE 30" and 36" electric coil and CleanDesign cooktops (Excluding Induction)
- GE 30" and 36" gas standard and sealed burner cooktops

Note: Gas or electric cooktops may be installed over this oven. See cooktop installation instructions for cutout size. See label on back of oven for approved cooktop models.

Installation Information: Before installing, consult installation instructions [Pub. No. 31-10125] packed with product for current dimensional data and for alternate installation options.

For answers to your Monogram®, GE Profile Performance Series™, GE Profile™ or GE appliance questions, call GE Answer Center® service, 800.626.2000.



Most 30" Wall Cabinets can be used with this unit.

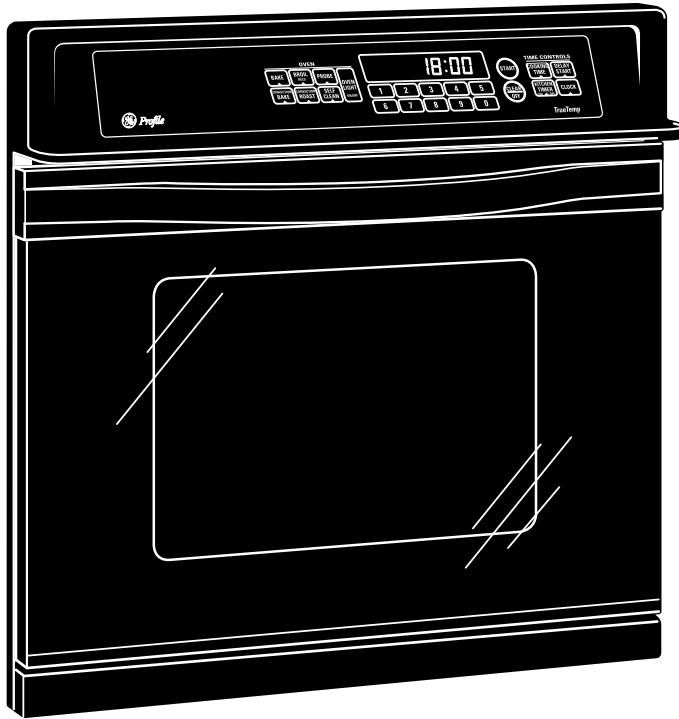
Specification Revised 6/99





Profile™

## JTP18BABB - GE Profile™ 30" Single Wall Oven



### Features and Benefits

- *TrueTemp™ System*
- *Convection Oven - Convection Bake and Convection Roast*
- *Extra Large Capacity Self-Clean Oven with Delay Clean Option*
- *SmartSet Electronic Oven Controls with Digipad*
- *Electronic Clock and Kitchen Timer*
- *Automatic Meat Thermometer*
- *Hidden Bake Element*
- *3 Oven Racks (Additional Rack Kit Available at Additional Cost)*
- *7 Embossed Rack Positions*
- *Variable Broil / Six-Pass Broil Element*
- *Broiler Pan with Grid and Roasting Rack*
- *Up-Front Oven Light*
- *Frameless Glass Oven Door with Big-View Window*
- *Integrated Designer-Style Handle*
- *30" Oven Cabinet Width Required*
- *Undercounter Installation Option*
- *Model JTP18WAWW - White on white*
- *Model JTP18BABB - Black on black*
- *Model JTP18AAAA - Almond on almond*

Specification Revised 6/99

## Free Manuals Download Website

<http://myh66.com>

<http://usermanuals.us>

<http://www.somanuals.com>

<http://www.4manuals.cc>

<http://www.manual-lib.com>

<http://www.404manual.com>

<http://www.luxmanual.com>

<http://aubethermostatmanual.com>

Golf course search by state

<http://golfingnear.com>

Email search by domain

<http://emailbydomain.com>

Auto manuals search

<http://auto.somanuals.com>

TV manuals search

<http://tv.somanuals.com>