

PROFILE® LIMITED WARRANTY

Profile Consumer Electronics, Inc. warrants this product to be free from defects in material and workmanship for a period of One (1) year from the date of purchase by the original consumer purchaser. If this product is proven to be defective within this one-year period, Profile will replace it when said product is returned under instructions below, freight prepaid to Profile. This warranty is valid only in the United States.

This warranty does not cover any expense incurred in the removal and/or reinstallation of this product. This warranty does not cover damage caused by excess power usage than its published power rating, accident, misuse, abuse, improper line voltage, fire, water, acts of God, or attempted service by anyone other than Profile. This warranty does not cover broken cabinets or any other accessories used in connection with this product or consequential damages due to a defect in the product.

Any implied warranties, including fitness for use and merchantability, are limited in duration to the period of the express warranty set forth above. No person is authorized to assume for Profile any other liability in connection with the sale of the product. Profile expressly disclaims liability for incidental and consequential damages that might be caused by this product. The remedies provided under this warranty are exclusive and lieu of all others.

This warranty gives you specific legal rights. You may have other rights which vary from state to state. Some states do not allow limitation on how long warranties last, so the above may not apply to you. Additionally, some states do not allow the exclusion to limitation of consequential or incidental damages, so the above limitation or exclusion may not apply to you.

To Obtain Warranty Service:

- 1) Return defective speaker(s) back to the purchased store for an exchange before attempting to send products to Profile.
- 2) If you failed to obtain warranty service from the purchased store, send defective speaker(s) freight prepaid to Profile including the following:
 - Sales receipt showing date and place purchased by an original owner, an evidence that the unit is within the Warranty period.
 - Your clear return shipping address and a daytime phone number.

Send to: Profile Consumer Electronics, Inc.
Speaker Exchange Dept.
15060 Shoemaker Ave.
Santa Fe Springs, CA 90670

* Please allow 2~3 weeks for an exchange, which includes transit times.

RECORD THE DATE AND PURCHASE LOCATION FOR FUTURE REFERENCE.

Model No. _____ Purchase Date _____

Purchased From _____

KEEP THIS INFORMATION AND YOUR SALES RECEIPT IN A SAFE PLACE.

PROFILE CONSUMER ELECTRONICS, INC. • 15060 SHOEMAKER • SANTA FE SPRINGS, CA 90670
TEL: (562)404-9393 • FAX: (562)404-9433 • WWW.PROFILEUSA.COM

2002 PROFILE CONSUMER ELECTRONICS
SP62 MANUAL REV 02.28.02
100000 - 022802
Manual By **EXTREME CONCEPTS**
www.extremecconcepts.com

Download from www.Somanuals.com. All Manuals Search And Download.

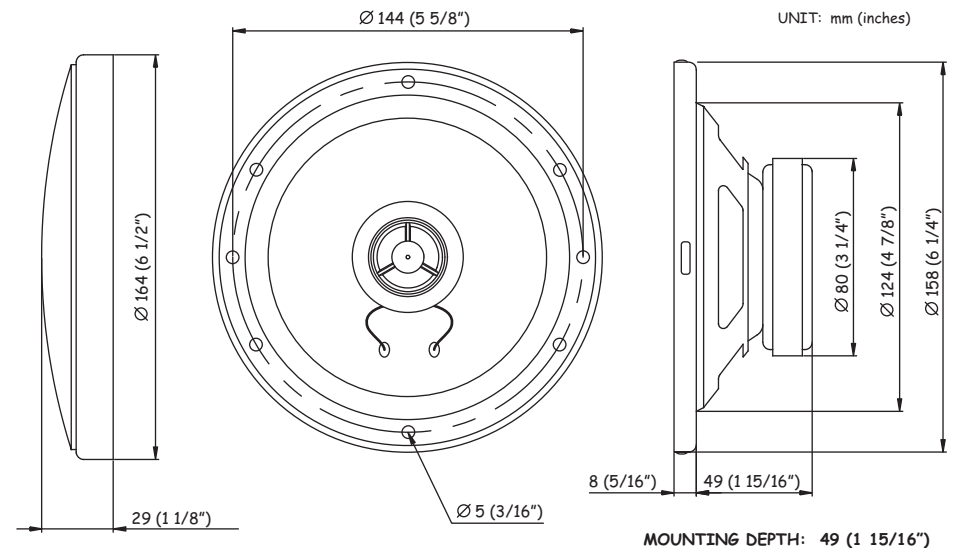
PROFILE®

Installation Instructions / Owner's Manual

SP62

2-WAY SPEAKERS

DIMENSIONS



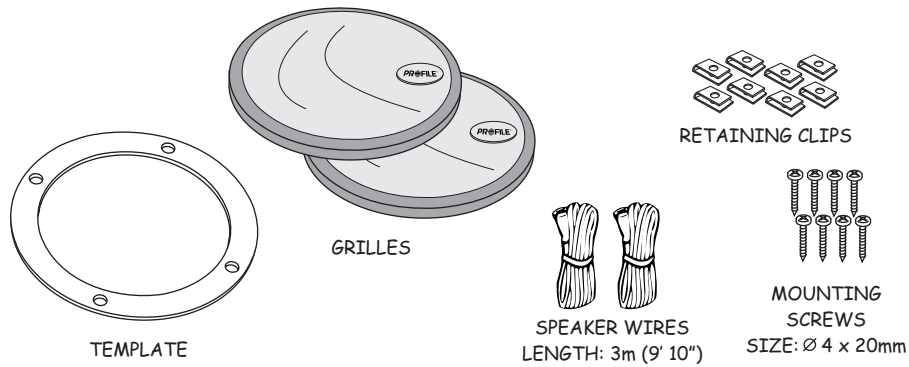
MOUNTING DEPTH: 49 (1 15/16")

INTRODUCTION

Congratulations on your purchase of a Profile state-of-the-art speakers. Your selection of a Profile car audio product indicates a true appreciation of fine musical reproduction. Whether adding to an existing system or including your Profile speakers in a new system, you are certain to notice immediate performance benefits.

Before mounting the speakers, select a location that allows for at least 49mm (1 15/16") of mounting depth. The speaker inside the door must not come in contact with the window when rolled down. Additionally, the speaker should be out of the way of window cranks and door handles allowing for normal operation.

PARTS LIST



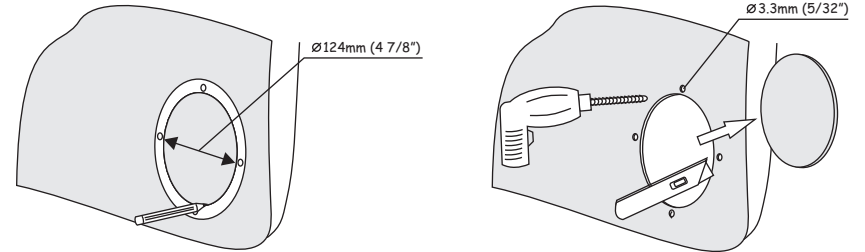
SPECIFICATIONS

SP62

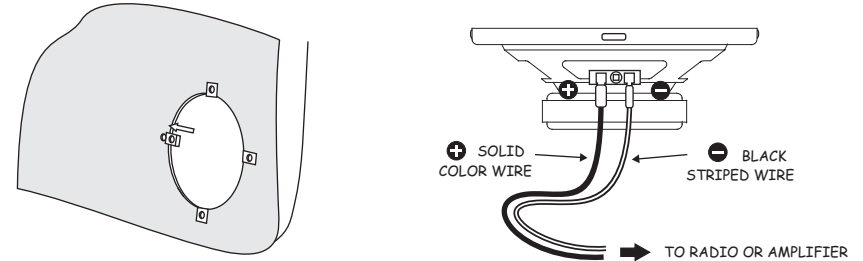
Speaker	6 1/2" 2-Way
Woofer Cone	Treated Paper
Tweeter	1" Piezo
Surround	Foam
Maximum Input Power	120 Watts
Nominal Input Power	5~40 Watts RMS
Impedance	4 Ohms
Magnet Weight	12 Oz.
Sensitivity	91 dB/W/m
Frequency Response	50 ~ 20,000 Hz

INSTALLATION

- USE THE ENCLOSED TEMPLATE TO MARK THE CUT OUT AREA AND DRILL HOLES. IF HOLE EXISTS SKIP TO STEP 4.
- CUT OUT SPEAKER MOUNTING AREA THEN DRILL SCREW HOLES USING 3.3mm (5/32") BIT.

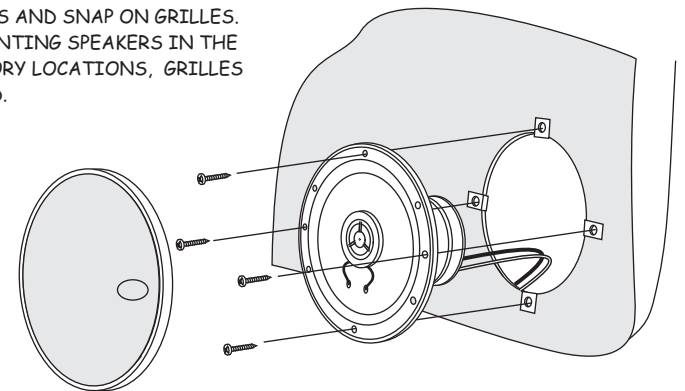


- INSERT RETAINING CLIP OVER HOLE IN DOOR PANEL.
- CONNECT SPEAKERS.



IMPORTANT! THE LARGER HOLE ON THE CLIP SHOULD BE ON THE FRONT SIDE OF THE PANEL AND THE SMALLER SPILT HOLE SHOULD BE ON THE BACK SIDE OF THE PANEL.

- MOUNT SPEAKERS AND SNAP ON GRILLES. IF YOU ARE MOUNTING SPEAKERS IN THE VEHICLE'S FACTORY LOCATIONS, GRILLES ARE NOT NEEDED.



Free Manuals Download Website

<http://myh66.com>

<http://usermanuals.us>

<http://www.somanuals.com>

<http://www.4manuals.cc>

<http://www.manual-lib.com>

<http://www.404manual.com>

<http://www.luxmanual.com>

<http://aubethermostatmanual.com>

Golf course search by state

<http://golfingnear.com>

Email search by domain

<http://emailbydomain.com>

Auto manuals search

<http://auto.somanuals.com>

TV manuals search

<http://tv.somanuals.com>