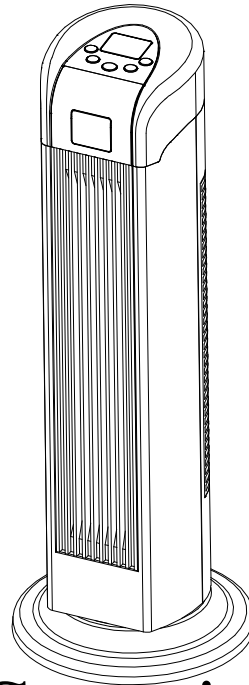


# PELONIS

## MANUAL

## OWNER'S



# Tower Ceramic Heater

With Remote

Model: HC-0119A



## IMPORTANT INSTRUCTIONS

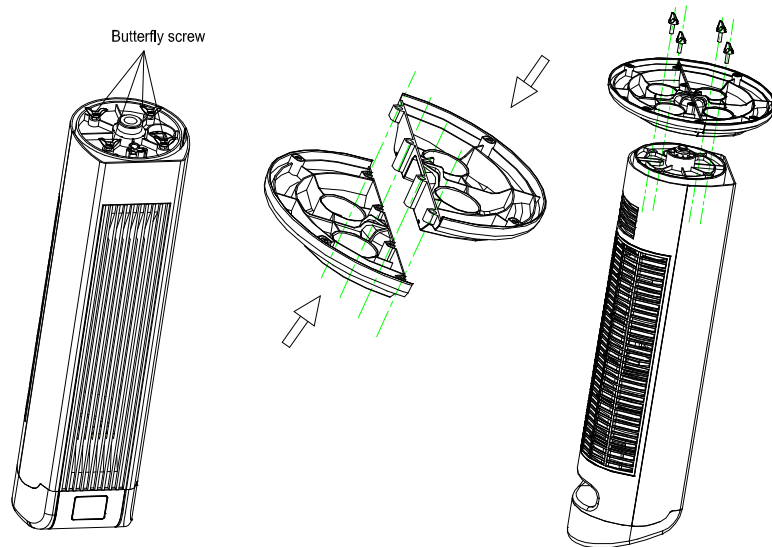
PLEASE READ AND SAVE THESE IMPORTANT SAFETY INSTRUCTIONS

When using electrical appliances, basic precautions should always be followed to reduce the risk of fire, electric shock, and injury to persons, including the following:

1. Read all instructions before using this heater.
2. This heater is hot when in use. To avoid burns, do not let bare skin touch hot surfaces. If provided, use handles when moving this heater. Keep combustible materials, such as furniture, pillows, bedding, papers, clothes, and curtains at least 3 feet (0.9m) from the front of the heater and keep them away from the sides and rear.
3. Extreme caution is necessary when any heater is used by or near children or invalids and whenever the heater is left operating and unattended.
4. Always unplug heater when not in use.
5. Do not operate any heater with a damaged cord or plug or after the heater malfunctions, has been dropped or damaged in any manner. Return heater to authorized service facility for examination, electrical or mechanical adjustment, or repair.
6. Do not use outdoors.
7. This heater is not intended for use in bathrooms, laundry areas and similar indoor locations. Never locate heater where it may fall into bathtub or other water container.
8. Do not run cord under carpeting. Do not cover cord with throw rugs, runners, or similar coverings. Arrange cord away from traffic area and where it will not be tripped over.
9. To disconnect heater, first turn controls to off, then remove plug from outlet.
10. Do not insert or allow foreign objects to enter any ventilation or exhaust opening as this may cause an electric shock or fire, or damage the heater.
11. To prevent a possible fire, do not block air intakes or exhaust in any manner. Do not use on soft surfaces, like a bed, where openings may become blocked.
12. A heater has hot and arcing or sparking parts inside. Do not use it in the areas where gasoline, paint, or flammable liquids are used or stored.
13. Use this heater only as described in this manual. Any other use not recommended by the manufacturer may cause fire, electric shock, or injury to persons.
14. Avoid the use of an extension cord because the extension cord may overheat and cause a risk of fire. However, if you have to use an extension cord, the cord shall be No. 14 AWG minimum size and rated no less than 1875 watts.
15. This heater draws 12.5 amps during operation. To prevent overloading a circuit, do not plug the heater into a circuit that already has other appliances working.
16. It is normal for the plug to feel warm to the touch; however, a loose fit between the AC outlet (receptacle) and plug may cause overheating and distortion of the plug. Contact a qualified electrician to replace loose or worn outlet.
17. The output of this heater may vary and its temperature may become intense enough to burn exposed skin. Use of this heater is not recommended for persons with reduced sensitivity to heat or an inability to react to avoid burns.
18. **“SAVE THESE INSTRUCTIONS”**

PLEASE READ AND SAVE THESE INSTRUCTIONS

# UNPACKING AND SET-UP INSTRUCTIONS



Unpack your heater and remove **both halves of the base** from the package. Refer to the picture below:

1. Make sure the heater is unplugged and in the "OFF" position.
2. **TURN THE HEATER UPSIDE DOWN.** Unfasten the four screws.
3. Fix **both halves of the base** as shown.
4. Insert the four screws and screw them tightly.
5. Turn the heater upright. Your heater is now ready for use.

**CAUTION:** Risk of fire –Operate heater in upright position only. Any other position could create a hazardous situation.

# OPERATION INSTRUCTIONS

## IMPORTANT!

Your heater is equipped with a polarized alternating current line plug (a plug having one blade wider than the other). This plug will fit into the power outlet only one way. This is a safety feature. If you are unable to insert the plug fully into the outlet, try reversing the plug. If the plug should still fail to fit, contact your electrician to replace your outlet. **DO NOT** defeat the safety purpose of the polarized plug.

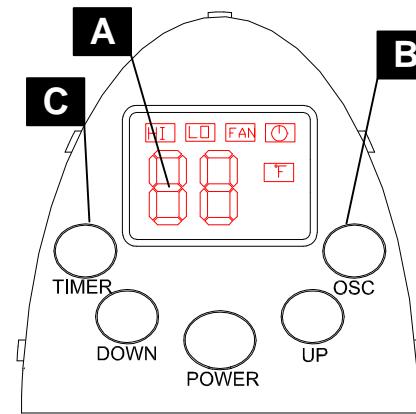
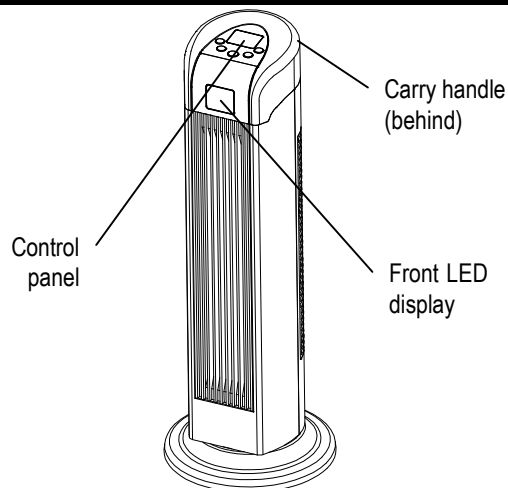


Fig.1 Control Panel View



Fig.2 Remote Control Panel View

## Fig.1 Control Panel Functions

- A** Digital Indicator
- B** Oscillation Switch
- C** Timer

- ◆ Place the heater on a firm level surface free from obstructions, and at least 3 ft. away from any wall and any other objects such as furniture, curtains, plants or combustible material.
- ◆ Plug the heater into a grounded 120V outlet; the buzzer sounds and the "A" **Digital Indicator** indicate the room temperature. When the heater is on, every time you press a key, the buzzer will sound.
- ◆ Press POWER key, the operating mode is switched circularly in sequence of HI -LO - FAN-OFF,
- FAN:** The Fan circulates room air only. The heating elements are "OFF".
- LOW:** The Fan and heating elements operate at **900 Watts**.
- HIGH:** The Fan and heating elements operate at **1500 Watts**.
- ◆ **Temperature setting:** When the heater is on (HI or LO), press "Up" or "Down" key and the **Digital Indicator** will indicate the last set temperature (**75 °F is default setting**). You can now adjust your desired temperature by pressing the "Up" or "Down" key; the temperature range is 40-95 °F. **If there is no operation in 5 seconds, the setting will be saved and the Digital Indicator will again display the room temperature.** Once the temperature is set, the unit will select the operating mode based on the following 2 conditions of A and B:
  - A. If the setting temperature is higher than the room temperature, the heater continues heating until the room temperature reaches the setting temperature. Once the room temperature reaches your setting temperature, the heater will stop heating. The heater will resume heating when the room temperature is lower than the set temperature. The heater will cycle on and off this way to maintain the setting temperature.

- B. If the setting temperature is lower than or equal to the room temperature, the temperature display will flash and the unit will stop heating. When the room temperature falls down to less than the setting temperature, the unit will resume heating. The heater will cycle on and off this way to maintain the setting temperature.

**Note:** Every time you turn on the heater, the heater will heat forcedly for 2 minutes. After that the heater will work based on the below instruction. And when the room temperature reaches the setting temperature or the setting temperature is lower or equal to the room temperature, the heating element will shut off immediately, but the fan motor will continue running for 10—30 seconds before **shutting** off. This is a safety feature to protect the unit from being too hot.

- ◆ **Timer setting:** This heater has an 8 hours On/Off timer. You can set an “On” timer when the heater is standing by (**plugged** in but not working) or you can set an “Off” timer when the heater is working. For example, you can plug in the heater and set the timer to turn the heater on after 3 hours, you can also set the timer to turn the heater off after 6 hours and a half when the heater is working.

**Example for “On” Timer:**

1. When the heater is **plugged** in and not working, press the “C” Timer and the “A” Digital Indicator will display the last set value (**0.0 is the default set**). Press the “Up” or “Down” key to choose your desired timer setting. The timer **will** increase or decrease half on hour every time you press the “Up” or “Down” key and goes up and down from 0.0 to 8.0.
2. Press “Up” key 6 times until 3.0 is displayed, press the “C” Timer again to confirm the set. Now your heater is set to be turned on after 3 hours.

**Example for “Off” Timer:**

1. When the heater is working, press the “C” Timer.
2. Press “Up” key 13 times or “Down” key 3 times until 6.5 is displayed, press the “C” Timer again to confirm the set.

Now your heater is set to be turned off after 6 hours and a half.

To disable the timer, adjust the set value of the timer to 0.0.

**Note:** Once the timer is set, the heater will work this way unless you unplug the heater. You have to reset the timer every time you plug in your heater.

- ◆ **Remote control (Refer to Fig 2): This heater has a 6 key remote with the following function (See picture above):**
  1. **ON/OFF:** Power switch key, used to turn off the heater when the heater is **on**.
  2. **OSC:** Oscillation switch, used to enable the oscillation function by pressing once. To disable the oscillation function, press the “OSC” key once more. This key is only valid when the heater is **on** (Hi, Low or Fan).
  3. **TIMER:** Timer setting key, used to enable the timer setting or **confirm** the setting value.
  4. **MODE:** Mode select key, used to **switch** the heater circularly in sequence of HI -LO - FAN when the heater is on.
  5. “+” and “-”: Value adjustment key, used to adjust the set value of the temperature or the timer.

**CAUTION:** This heater includes an Overheat Protection System that shuts the unit off if it overheats due to abnormal conditions. If this occurs turn the heater “OFF”, unplug it, and inspect and remove any objects on or adjacent to the heater. Allow it to cool for a few minutes, plug it back in, and resume normal operation.

## ADDITIONAL FEATURES

This heater has additional features:

- Dual LED display-**Allows** you to adjust the heater and check the set value at the same time in a distance (Within 16 ft of the heater), you can also check the status of the heater easier.
- Convenient Carry Handle-**Allows** for easy maneuvering from room to room.

## TROUBLESHOOTING

If your heater fails to operate, please follow these instructions:

- Ensure that your circuit breaker or fuse is working properly.
- Be sure the heater is plugged in and that the electrical outlet is working properly.
- Check for any obstruction. If you find any obstruction, turn the heater “OFF”. Unplug the heater and wait a few minutes for it to cool down. Carefully remove the obstruction. Plug the heater in and turn it on again by referring to the **OPERATING INSTRUCTIONS**.

**NOTE: IF YOU EXPERIENCE A PROBLEM WITH YOUR HEATER, PLEASE SEND YOUR HEATER TO AN AUTHORISED SERVICE CENTER FOR MAINTENANCE. PLEASE DO NOT ATTEMPT TO OPEN OR REPAIR THE HEATER YOURSELF. DOING SO MAY VOID THE WARRANTY AND COULD CAUSE DAMAGE OR PERSONAL INJURY.**

## CLEANING AND STORAGE

It is recommended that the heater be cleaned at least one time during the operating season in order to provide the optimum level of performance. **ALWAYS TURN THE POWER SWITCH OFF AND UNPLUG THE HEATER BEFORE CLEANING.** Be sure to save the box for off-season storage.

- Turn the heater “OFF”, unplug it and wait for the heater to cool down.
- Use a dry cloth to clean only external surfaces of the heater.
- Do not use any cleaning agents or detergents.
- Never immerse the heater in water.
- Pack the heater in the original carton and store it in a cool and dry place.

## SPECIFICATIONS

Model No.: HC-0119A

Voltage: 120V, 60Hz

Current: Maximum continuous draw: 12.5 Amps.

Power: LO = 900 Watts, HI = 1500 Watts.

Tolerances on all specifications: Approximately +5%, -10%.

## SERVICE & SUPPORT

In the event of a warranty claim or if service is required for this heater, please contact us at the following:

Toll Free: 866-876-4332 (M-F 8:30am to 5:30pm CST)

Email us at: [Service@Pelonis.com](mailto:Service@Pelonis.com)

For questions or comments, please write to:

Pelonis USA, Ltd.

2617 North Great Southwest Parkway

Suite 100

Grand Prairie, TX 75050, USA

For your records, staple your sales receipt to this manual and record the following:

DATE OF PURCHASE: \_\_\_\_\_

PLACE OF PURCHASE: \_\_\_\_\_

SERIAL NUMBER: \_\_\_\_\_

(STAPLE SALES RECEIPT HERE)

**NOTE: PROOF OF PURCHASE IS REQUIRED FOR ALL WARRANTY CLAIMS**

## ONE (1) YEAR LIMITED WARRANTY

- Please read all instructions before attempting to use this product.
- Please return the Warranty Registration card within fifteen (15) days from the date of purchasing this product.

PELONIS warrants as limited herein to the original purchaser of retail that each new Pelonis Tower Ceramic Heater shall be free of defects in material and workmanship for a period of one (1) year from the date of original purchase. This one (1) year warranty is limited to the heating elements, motor, and electric control circuit board.

In the event of malfunctions or failure of your Pelonis Tower Ceramic Heater, simply deliver or send the heater, postage prepaid along with PROOF OF PURCHASE, within the warranty period of one (1) year, to PELONIS. PELONIS reserves the right to inspect the claimed defective part or parts to determine if the defect or malfunction complaint is covered by this warranty. PELONIS shall, within sixty (60) days after receipt of the product, at its option, repair and/or replace the defective part or parts free of charge. This warranty shall only cover defects arising from normal usage. PELONIS assumes no responsibility whatsoever if the Tower Ceramic Heater should fail during the warranty period by reason of:

- Misuse, negligence, physical damage or accidents.
- Lack of maintenance (see instructions for proper maintenance).
- Repair by any unauthorized party during the warranty period.
- Damage caused by connection to an improper input voltage (see specification label on your heater).

PELONIS makes no further warranties or representations, express or implied except those contained herein. No representative or dealer is authorized to assume any other liability regarding the Tower Ceramic Heater. The duration of the implied warranty granted under State law, including warranties of merchantability and fitness for particular purpose are limited in duration should the duration of the express warranty grant it hereunder. Pelonis USA shall in no event be liable for direct, indirect, special or consequential damages.

Some states do not allow limitations on how long an implied warranty lasts, and/or the above limitations or exclusion may not apply to you. This warranty gives you specific legal rights and you may have other rights which vary from state to state.

## Free Manuals Download Website

<http://myh66.com>

<http://usermanuals.us>

<http://www.somanuals.com>

<http://www.4manuals.cc>

<http://www.manual-lib.com>

<http://www.404manual.com>

<http://www.luxmanual.com>

<http://aubethermostatmanual.com>

Golf course search by state

<http://golfingnear.com>

Email search by domain

<http://emailbydomain.com>

Auto manuals search

<http://auto.somanuals.com>

TV manuals search

<http://tv.somanuals.com>