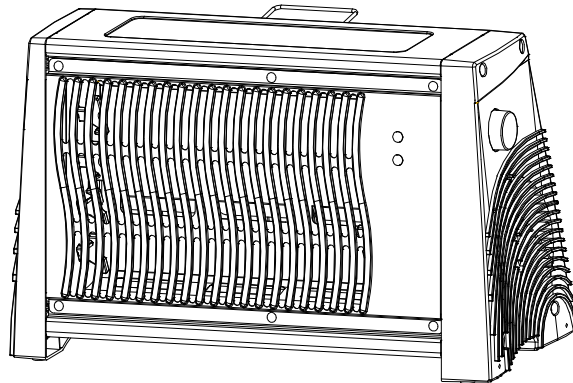


# PELONIS

## OWNER'S MANUAL



### Radiant Heater

Model HR-0031



**PLEASE READ AND SAVE THESE INSTRUCTIONS**

## IMPORTANT INSTRUCTIONS

PLEASE READ AND SAVE THESE IMPORTANT SAFETY INSTRUCTIONS

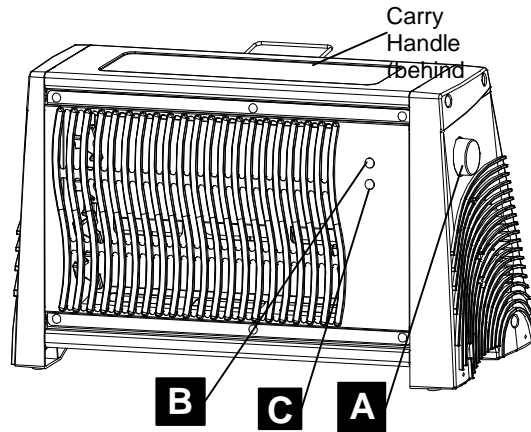
When using electrical appliances, basic precautions should always be followed to reduce the risk of fire, electric shock, and injury to persons, including the following:

1. Read all instructions before using this heater.
2. This heater is hot when in use. To avoid burns, do not let bare skin touch hot surfaces. If provided, use handles when moving this heater. Keep combustible materials, such as furniture, pillows, bedding, papers, clothes, and curtains at least 3 feet (0.9m) from the front of the heater and keep them away from the sides and rear.
3. Extreme caution is necessary when any heater is used by or near children or invalids and whenever the heater is left operating and unattended.
4. Always unplug heater when not in use.
5. Do not operate any heater with a damaged cord or plug or after the heater malfunctions, has been dropped or damaged in any manner. Return heater to authorized service facility for examination, electrical or mechanical adjustment, or repair.
6. Do not use outdoors.
7. This heater is not intended for use in bathrooms, laundry areas and similar indoor locations. Never locate heater where it may fall into bathtub or other water container.
8. Do not run cord under carpeting. Do not cover cord with throw rugs, runners, or similar coverings. Arrange cord away from traffic area and where it will not be tripped over.
9. To disconnect heater, first turn controls to off, then remove plug from outlet.
10. Do not insert or allow foreign objects to enter any ventilation or exhaust opening as this may cause an electric shock or fire, or damage the heater.
11. To prevent a possible fire, do not block air intakes or exhaust in any manner. Do not use on soft surfaces, like a bed, where openings may become blocked.
12. A heater has hot and arcing or sparking parts inside. Do not use it in the areas where gasoline, paint, or flammable liquids are used or stored.
13. Use this heater only as described in this manual. Any other use not recommended by the manufacturer may cause fire, electric shock, or injury to persons.
14. Avoid the use of an extension cord because the extension cord may overheat and cause a risk of fire. However, if you have to use an extension cord, the cord shall be No. 14 AWG minimum size and rated no less than 1875 watts.
15. This heater draws 12.5 amps during operation. To prevent overloading a circuit, do not plug the heater into a circuit that already has other appliances working.
16. It is normal for the plug to feel warm to the touch; however, a loose fit between the AC outlet (receptacle) and plug may cause overheating and distortion of the plug. Contact a qualified electrician to replace loose or worn outlet.
17. The output of this heater may vary and its temperature may become intense enough to burn exposed skin. Use of this heater is not recommended for persons with reduced sensitivity to heat or an inability to react to avoid burns.
18. **“SAVE THESE INSTRUCTIONS”**

# OPERATING INSTRUCTIONS

## IMPORTANT!

Your heater is equipped with a polarized alternating current line plug (a plug having one blade wider than the other). This plug will fit into the power outlet only one way. This is a safety feature. If you are unable to insert the plug fully into the outlet, try reversing the plug. If the plug should still fail to fit, contact your electrician to replace your outlet. **DO NOT** defeat the safety purpose of the polarized plug.



## Control Panel Functions

- A** Power and Setting Control
- B** Power Indicator Light
- C** Caution Indicator Light

Place the heater on a firm level surface free from obstructions, and at least 3 ft. away from any wall and any other objects such as furniture, curtains, plants or combustible material.

With the Power and Setting Control "A" in the "MIN" position, the **Power Indicator Light "B" not illuminated**, and the heater in "OFF" status, plug the heater into a grounded 120V outlet.

Turn the heater "ON" by turning the **Power and Setting Control "A"** clockwise to your desired setting. The **Power Indicator Light "B"** will illuminate. **The power setting operates at 1500 Watts.** Turn the heater "OFF" by turning the Power Control to "MIN".

The power and Setting Control "A" can be used as a thermostat. Turn the "A" to your desired setting from "MIN" to "MAX". Turning the "A" clockwise will increase the "set" temperature; turning the thermostat counterclockwise will decrease the "set" temperature.

When the room reaches a comfortable temperature, slowly turn the "A" counter-clockwise until the heater turns off. This is the point at which the thermostat setting equals the room temperature. At this setting, the thermostat will automatically turn the heater on and off to maintain this selected temperature.

**CAUTION:** This heater includes an Overheat Protection System that shuts the unit off if it overheats due to abnormal conditions. At this time, the "C" Caution Indicator Light gets on. If this occurs turn the heater "OFF", unplug it, and inspect and remove any objects on or adjacent to the heater. Allow it to cool for a few minutes, plug it back in, and resume normal operation.

# ADDITIONAL FEATURES

This heater has additional features:

- Internal Safety Fuse - acts as back up protection to the Thermal Cut-Off Protection System.
- Convenient Carry Handle – allows for easy transport from room to room.

# TROUBLESHOOTING

If your heater fails to operate, please follow these instructions:

- Ensure that your circuit breaker or fuse is working properly.
- Be sure the heater is plugged in and that the electrical outlet is working properly.
- Check for any obstruction. If you find any obstruction, turn the heater "OFF". Unplug the heater and wait a few minutes for it to cool down. Carefully remove the obstruction. Plug the heater in and turn it on again by referring to the **OPERATING INSTRUCTIONS**.

**NOTE: IF YOU EXPERIENCE A PROBLEM WITH YOUR HEATER, PLEASE SEE THE WARRANTY INFORMATION FOR INSTRUCTIONS. PLEASE DO NOT ATTEMPT TO OPEN OR REPAIR THE HEATER YOURSELF. DOING SO MAY VOID THE WARRANTY AND COULD CAUSE DAMAGE OR PERSONAL INJURY. IF THE PROBLEM STILL PERSISTS, PLEASE CONTACT US BY REFERRING TO THE SERVICE & SUPPORT INFORMATION ON THE FOLLOWING PAGE.**

# CLEANING AND STORAGE

It is recommended that the heater be cleaned at least one time during the operating season in order to provide the optimum level of performance. **ALWAYS TURN THE POWER SWITCH OFF AND UNPLUG THE HEATER BEFORE CLEANING.** Be sure to save the box for off-season storage.

- Turn the heater "OFF", unplug it and wait for the heater to cool down.
- Use a dry cloth to clean only external surfaces of the heater.
- Do not use any cleaning agents or detergents.
- Never immerse the heater in water.
- Pack the heater in the original carton and store it in a cool and dry place.

# SPECIFICATIONS

Model No.: HR-0311

Voltage: 120V, 60Hz

Current: Maximum continuous draw: 12.5 Amps.

Output: 5200 BTUs

Power: LOW = 900 Watts, HIGH = 1500 Watts

Tolerances on all specifications: Approximately +5%, -10%.

## SERVICE & SUPPORT

In the event of a warranty claim or if service is required for this heater, please contact us at the following:

Toll Free: 866-876-4332 (M-F 8:30am to 5:30pm CST)

Email us at: [Service@Pelonis.com](mailto:Service@Pelonis.com)

For questions or comments, please write to:

Pelonis USA, Ltd.

2617 North Great Southwest Parkway

Suite 100

Grand Prairie, TX 75050, USA

For your records, staple your sales receipt to this manual and record the following:

DATE OF PURCHASE: \_\_\_\_\_

PLACE OF PURCHASE: \_\_\_\_\_

SERIAL NUMBER: \_\_\_\_\_

(STAPLE SALES RECEIPT HERE)

**NOTE: PROOF OF PURCHASE IS REQUIRED FOR ALL WARRANTY CLAIMS**

## ONE (1) YEAR LIMITED WARRANTY

- Please read all instructions before attempting to use this product.
- Please return the Warranty Registration card within fifteen (15) days from the date of purchasing this product.

PELONIS warrants as limited herein to the original purchaser of retail that each new Pelonis Radiant Heater shall be free of defects in material and workmanship for a period of one (1) year from the date of original purchase. This one (1) year warranty is limited to the heating elements, motor, and electric control circuit board.

In the event of malfunctions or failure of your Pelonis Radiant Heater, simply deliver or send the heater, postage prepaid along with PROOF OF PURCHASE, within the warranty period of one (1) year, to PELONIS. PELONIS reserves the right to inspect the claimed defective part or parts to determine if the defect or malfunction complaint is covered by this warranty. PELONIS shall, within sixty (60) days after receipt of the product, at its option, repair and/or replace the defective part or parts free of charge. This warranty shall only cover defects arising from normal usage. PELONIS assumes no responsibility whatsoever if the Radiant Heater should fail during the warranty period by reason of:

- Misuse, negligence, physical damage or accidents.
- Lack of maintenance (see instructions for proper maintenance).
- Repair by any unauthorized party during the warranty period.
- Damage caused by connection to an improper input voltage (see specification label on your heater).

PELONIS makes no further warranties or representations, express or implied except those contained herein. No representative or dealer is authorized to assume any other liability regarding the Radiant Heater. The duration of the implied warranty granted under State law, including warranties of merchantability and fitness for particular purpose are limited in duration should the duration of the express warranty grant it hereunder. Pelonis USA shall in no event be liable for direct, indirect, special or consequential damages.

Some states do not allow limitations on how long an implied warranty lasts, and/or the above limitations or exclusion may not apply to you. This warranty gives you specific legal rights and you may have other rights which vary from state to state.

## Free Manuals Download Website

<http://myh66.com>

<http://usermanuals.us>

<http://www.somanuals.com>

<http://www.4manuals.cc>

<http://www.manual-lib.com>

<http://www.404manual.com>

<http://www.luxmanual.com>

<http://aubethermostatmanual.com>

Golf course search by state

<http://golfingnear.com>

Email search by domain

<http://emailbydomain.com>

Auto manuals search

<http://auto.somanuals.com>

TV manuals search

<http://tv.somanuals.com>