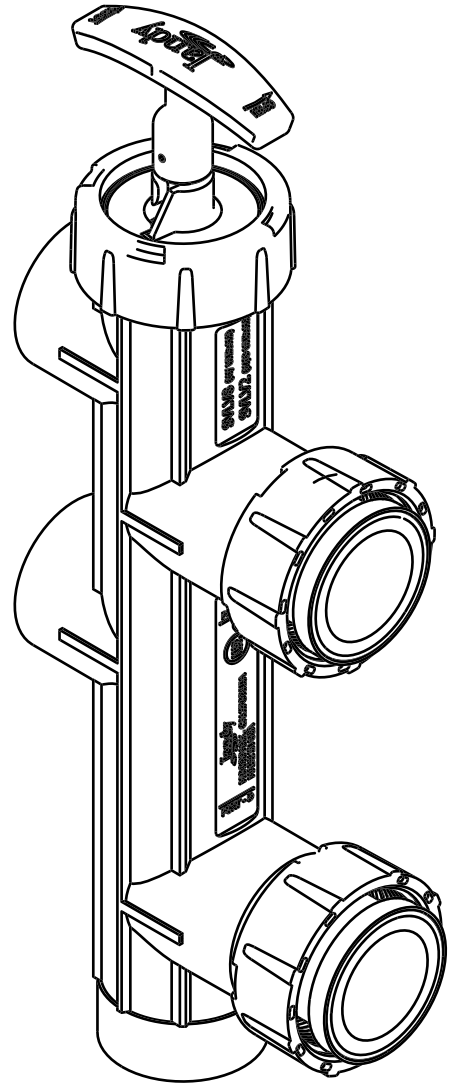


# Installation and Operation Manual

## Jandy® Slide Backwash Valve



**FOR YOUR SAFETY - This product must be installed and serviced by authorized personnel qualified in pool/spa installation and maintenance. Improper installation and/or operation will void the warranty.**





**FOR YOUR SAFETY:** This product must be installed and serviced by authorized personnel qualified in pool/spa installation and maintenance. Improper installation and/or operation will void the warranty.

**⚠ WARNING**

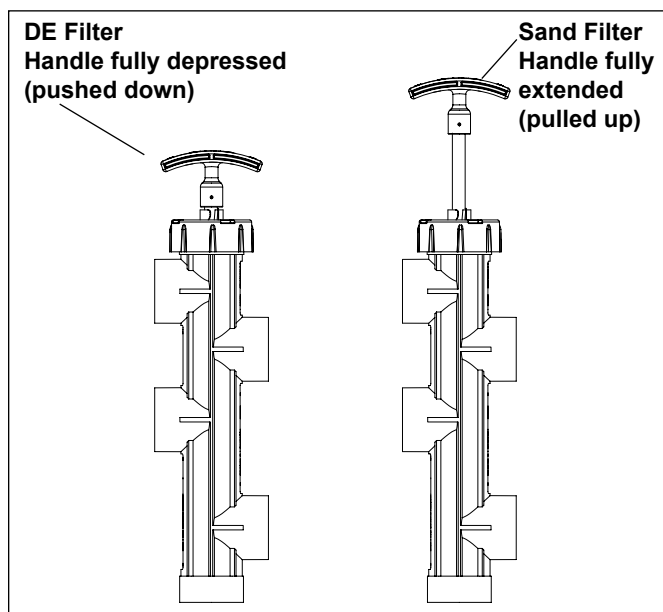
Ensure that all electrical power to the system is turned off before approaching, inspecting or troubleshooting any leaking valves that may have caused other electrical devices in the surrounding area to get wet.

This document gives instructions for installing the Jandy Slide Valve. The instructions must be followed exactly. Read through the instructions completely before starting the procedure. Please save these instructions.

The Jandy Slide Valve is designed to be used on either sand or diatomaceous earth (DE) filters with a center to center dimension of eight (8") inches (center of the inlet port to the center of the outlet port). Combined with the Jandy Versa-Coupler, the Slide Valve can be used on filters with center to center dimensions of seven (7") to nine (9") inches.

For Jandy Filters, Slide Valve p/n SVLV8 (with unions) is ready to mount to DEL48 or DEL60 model filters (in which the top port is the filter outlet). If mounting a Jandy Slide Valve on Pentair or Sta-Rite Filters, use a combination of p/n SVLV2 (Slide Valve without unions) and p/n 8044 (Versa-Coupler Kit).

The Slide Valve is a two position valve. The valve handle must be fully extended or fully depressed. **This valve can not be throttled.** To operate the Slide Valve on a DE filter in normal filtration mode, fully depress the handle. To operate the Slide Valve on a sand filter in normal filtration mode, fully extend the valve handle (see Figure 1).



**Figure 1. Handle Positions - Filter/Circulation Mode(SVLV2 shown)**

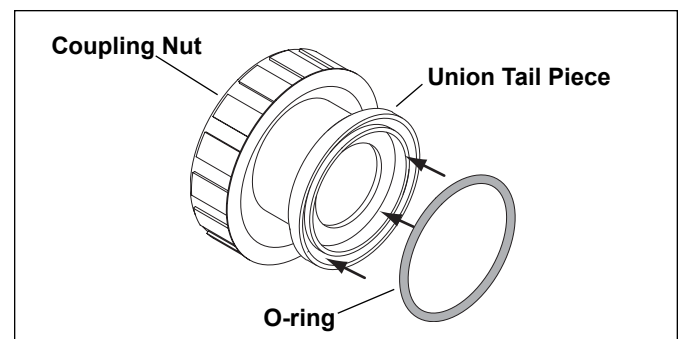
**Section 1. SVLV8 Installation**

1. Remove the Slide Valve from the packaging. Twist the handle on the Slide Valve several times to verify that the piston moves freely.

**⚠ WARNING**

Ensure that all electrical power to the system is turned off before approaching, inspecting or troubleshooting any leaking valves that may have caused other electrical devices in the surrounding area to get wet.

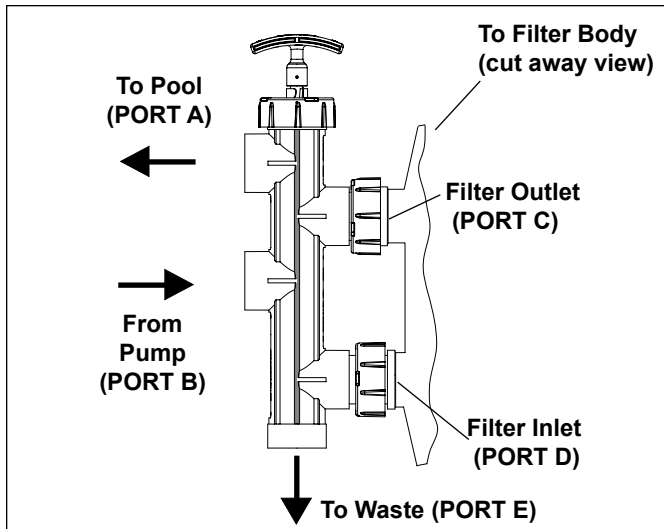
2. Turn off all power to the system. For **retrofit** installations *only*, follow steps "a" through "d". For **new** installations skip steps "a" through "d" and proceed to step 3.
  - a. Open the pressure relief valve on top of the filter. Wait for all air to evacuate the system.
  - b. If the filter is below pool level, close the suction and return line valves to isolate the filtration system.
  - c. Remove the drain plug from the filter. Let the water drain from the filter.
  - d. Remove the existing valve from the filter.
3. Remove the o-rings (2 total) from the packaging.
4. Place the o-rings on the face of the union tail pieces, where the face of the Slide Valve union will connect to the filter bulkheads (see Figure 2). Make sure each O-ring is properly seated into the groove of each union tail piece.



**Figure 2. O-ring Placement**

**CAUTION**

The Slide Valve has molded labels on each port (see Figure 1). The ports on the SVLV8 are equipped with union connections that match the connections on the filter ports. Do not use pipe sealants on union nuts.



**Figure 3. SVLV8 Installed on Jandy DEL48 or (DEL60)**

5. Hold the Slide Valve upright and place onto the filter bulkheads (see Figure 3).
6. Tighten both union nuts to secure the valve on the filter.
7. Place filter and valve in proper location on the equipment set pad.
8. Plumb the discharge of the pump into the Slide Valve inlet labeled **PORT B**.
9. Plumb the Slide Valve outlet labeled **PORT A** to the heater or pool return lines.
10. Plumb the Slide Valve outlet labeled **PORT E** to the waste line as needed. Allow the connections to dry for 24 hours.

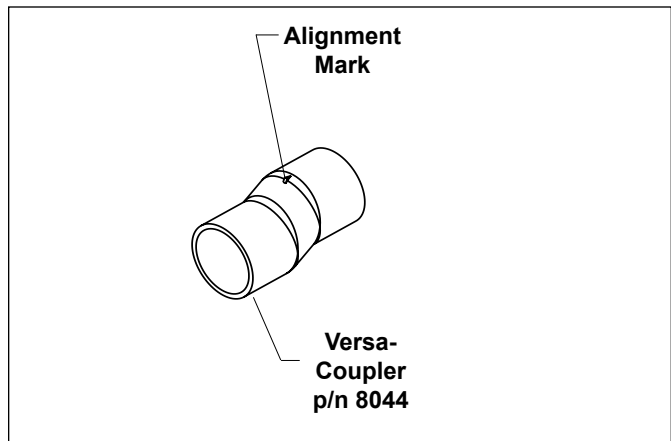
**CAUTION**

Do not let any adhesive get inside the Slide Valve body. Adhesive inside the valve body will prevent the piston from moving freely, or cause the valve to leak.

11. When the glue is dry, start the system and check for proper water flow.

**CAUTION**

To avoid costly equipment damage, after verifying proper water flow and *prior* to putting system into normal operating conditions, flush the system using Backwash mode until the waste water is clean. Refer to *Section 4* for Backwash mode operation instructions.



**Figure 4. Jandy Versa-Coupler**

**NOTE:** For new installations other than Jandy DEL48 or DEL60, use the SVLV2 and the Versa Coupler Kit, p/n 8044 (See Figure 4).

If using the Slide Valve with a Pentair filter, use Pentair Pool Products™ Union Set #27002, and then proceed to section B. If using a Sta-rite filter, use Sta-Rite® Union Set #PKGM188, then proceed to section B.

## Section 2. SVLV2 and Versa-Coupler Installation

**NOTE** Certain filters may require only one (1) versa-coupler (p/n 8044).

1. Slide one versa-coupler into **PORT C** and one into **PORT D** on the Slide Valve.
2. Hold the Slide Valve up to the filter and twist the versa-couplers until they slide into the filter inlet and outlet ports.

**NOTE** Make sure to align each versa-coupler to the filter and the Slide Valve prior to gluing the assembly. When the parts are in alignment, mark each piece to ensure correct reassembly.

3. Remove the valve from the filter. Clean the versa-couplers and glue them onto the valve using the alignment marks as a reference.
4. Clean the versa-coupler and glue onto the filter. Hold the coupler in place for a minimum of one (1) minute.
5. Plumb the discharge of the pump into the Slide Valve inlet labeled **PORT B**.

**NOTE** Refer to Figure 5 for Steps 6 and 7.

6. **(DE Filters)** Plumb the Slide Valve outlet labeled **PORT A** to the heater or pool return lines.

**(Sand Filters)** Plumb the Slide Valve outlet labeled **PORT E** to the heater or pool return lines.

7. **(DE Filters)** Plumb the Slide Valve outlet labeled **PORT E** to the waste line as needed.

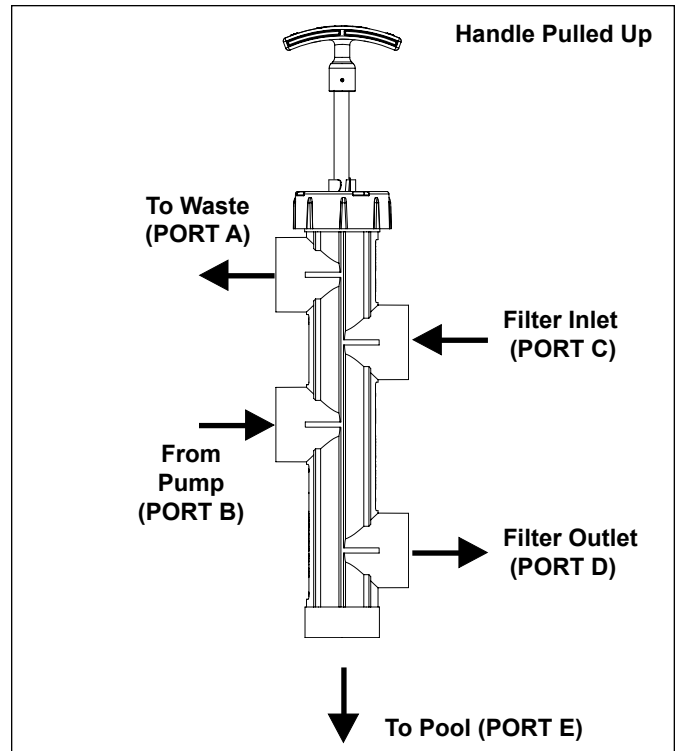
**(Sand Filters)** Plumb the Slide Valve outlet labeled **PORT A** to the waste line as needed.

8. Allow the connections to dry for 24 hours.

9. When the glue is dry, start the system and check for proper water flow.

**CAUTION**

To avoid costly equipment damage, after verifying proper water flow and *prior* to putting system into normal operating conditions, flush the system using Backwash mode until the waste water is clean. Refer to *Section 4* for Backwash mode operation instructions.



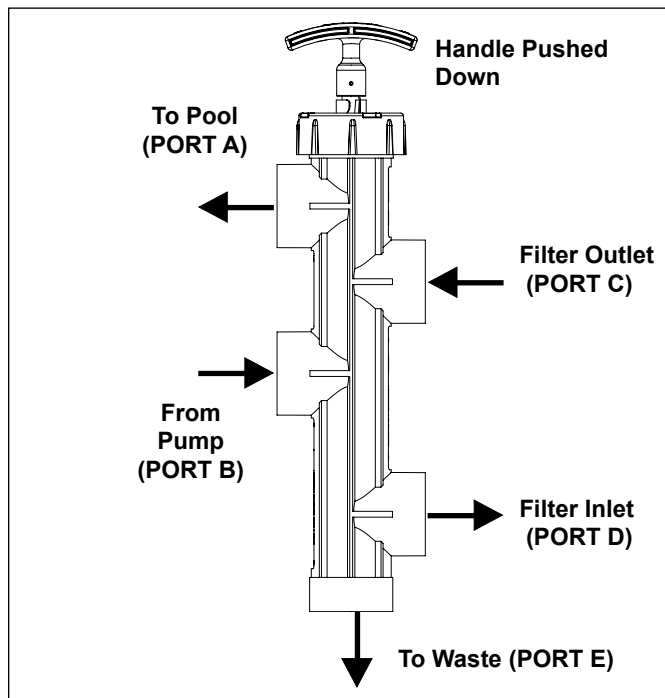
**Figure 6. SVLV2 Plumbing Configuration for Sand Filters - Filtration Mode**

**Section 3. Normal Operation**

**⚠ WARNING**

To prevent equipment damage and possible injury, the pump must be turned off and the pressure relief valve on top of the filter must be opened. Wait for all air to evacuate the system

1. Turn off the system pump(s).
2. **(DE Filters)** Ensure that the Slide Valve handle is fully depressed (handle and piston pushed all the way down). Turn the handle until the stainless steel pin on the piston locks into the position bracket.  
  
**(Sand Filters)** Ensure that the Slide Valve handle is fully extended (handle pulled all the way up).
3. Turn on the filter pump(s). Check the system for normal water flow.



**Figure 5. SVLV2 Plumbing Configuration for DE Filters - Filtration Mode**

## Section 4. Backwash Mode

1. Turn off the system pump(s).

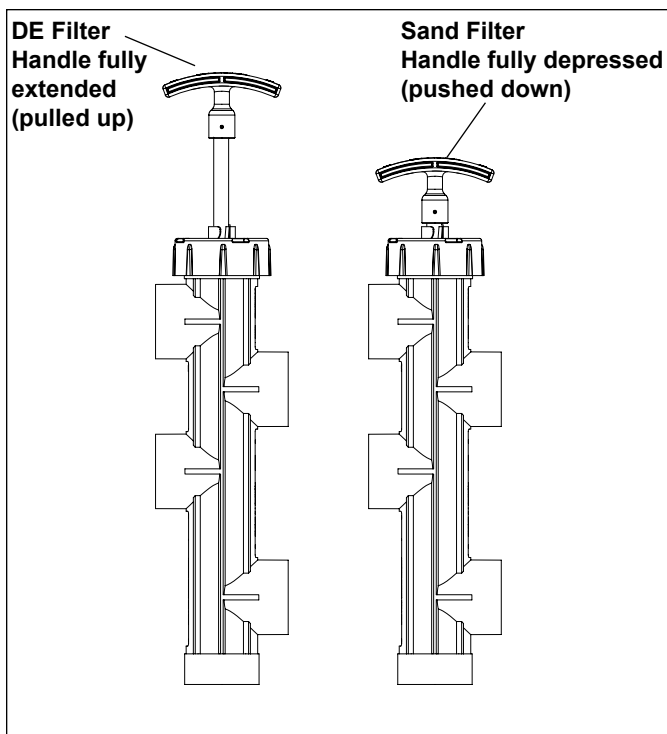
### WARNING

To prevent equipment damage and possible injury, the pump must be turned off and the pressure relief valve on top of the filter must be opened. Wait for all air to evacuate the system

2. Release all pressure from the system at the main filter.
3. (**DE Filters**) Ensure that the Slide Valve handle is fully extended (handle pulled all the way up). See Figure 7.

(**Sand Filters**) Ensure that the Slide Valve handle is fully depressed (handle and piston pushed all the way down). Turn the handle until the stainless steel pin on the piston locks into the position bracket.

4. Turn on the system pump(s) and run the system until the waste water runs clean.
5. Turn off the system pump(s).
6. Return the Slide Valve handle to the normal operating position (see *Section 3*).
7. Turn on system pump(s) and check for normal water flow.



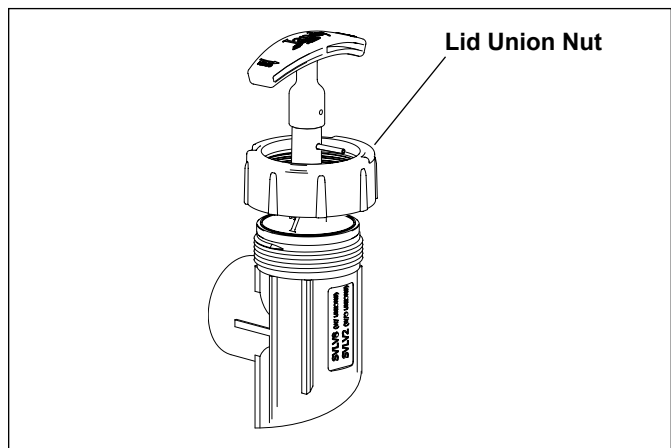
**Figure 7. Handle Positions (SVLV2 shown)**  
**Caution - Handle Positions for Backwash Only**

## Section 5. Servicing

### WARNING

To prevent equipment damage and possible injury, the pump must be turned off and the pressure relief valve on top of the filter must be opened. Wait for all air to evacuate the system

1. Turn off the system pump(s).
2. Release all pressure from the system at the main filter.
3. Loosen the lid union nut (see Figure 8).



**Figure 8. Loosen Lid Union Nut**

4. Grab the Slide Valve handle and pull the shaft assembly out of the valve (see Figure 9).

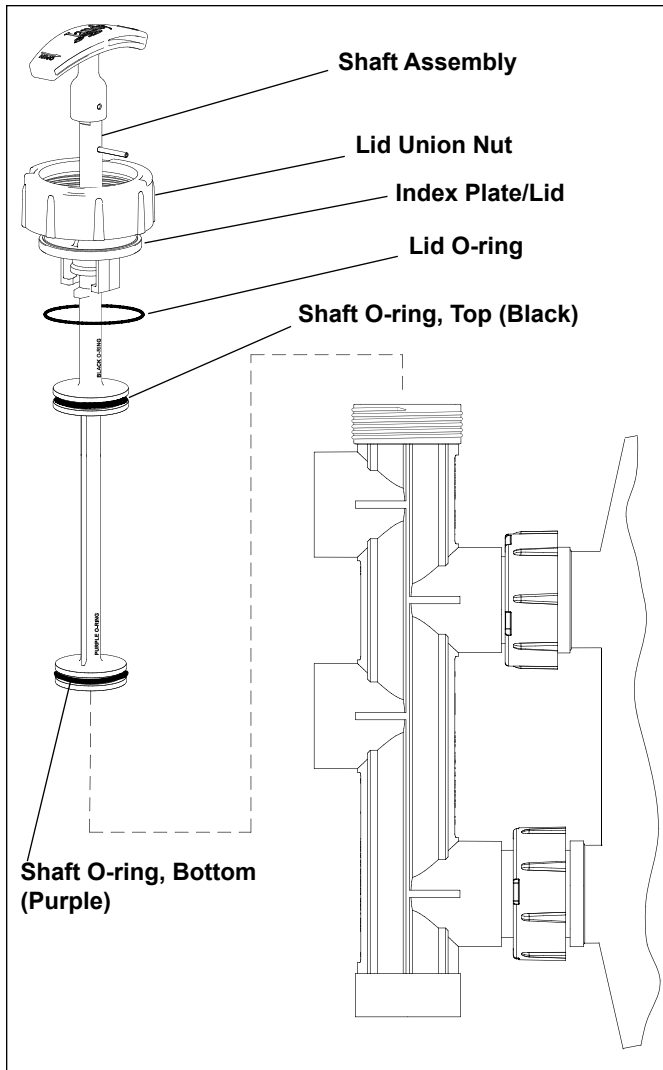


Figure 9. Remove Slide Valve Shaft Assembly

5. Inspect the shaft and the o-rings for wear, cuts, cracks, and debris. If the o-rings show any sign of wear or damage, replace with Jandy O-ring and Roll Pin Replacement Kit (P/N R0442100).

**NOTE** The o-ring inspection includes the Lid o-ring. Please be aware that the roll pins are different lengths; the handle roll pin is 1" long and the shaft roll pin is 13/16" long.

6. Wash the shaft and o-rings with clean water and dry with a lint-free cloth. **Ensure that all debris is removed.**
7. Wash the lid surface of the valve (where the lid o-ring is seated) and dry with a lint-free cloth. **Ensure that all debris is removed.**
8. Lubricate o-rings with 100% silicone grease lubricant, like Magic Lube®. **Do not use any lubricant containing petroleum products.**
9. Place the shaft back into the Slide Valve and tighten the lid union nut.

10. Return the Slide Valve handle to the normal operating position (see Section 3).
11. Turn on system pump(s) and check for normal water flow.

## Section 6. Winterizing

### ⚠ CAUTION

If not properly winterized, damage to the Slide Valve will occur, which will increase the potential of injury.

1. Turn off the system pump(s).
2. Release all pressure from the system at the main filter.
3. Loosen the lid union nut (see Figure 8).
4. Grab the Slide Valve handle and pull the shaft assembly out of the valve (see Figure 9).
5. Allow all water to drain out the valve.
6. When it is confirmed that there is no water left in the valve, place the shaft back into the Slide Valve and tighten the lid union nut.
7. Position the Slide Valve in Backwash mode (see Section 4).  
**(DE Filters)** Ensure that the Slide Valve handle is fully extended (handle pulled all the way up). See Figure 7.

**(Sand Filters)** Ensure that the Slide Valve handle is fully depressed (handle and piston pushed all the way down). Turn the handle until the stainless steel pin on the piston locks into the position bracket.

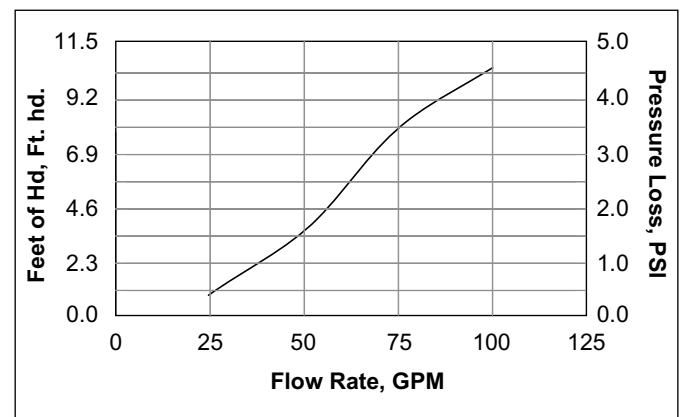
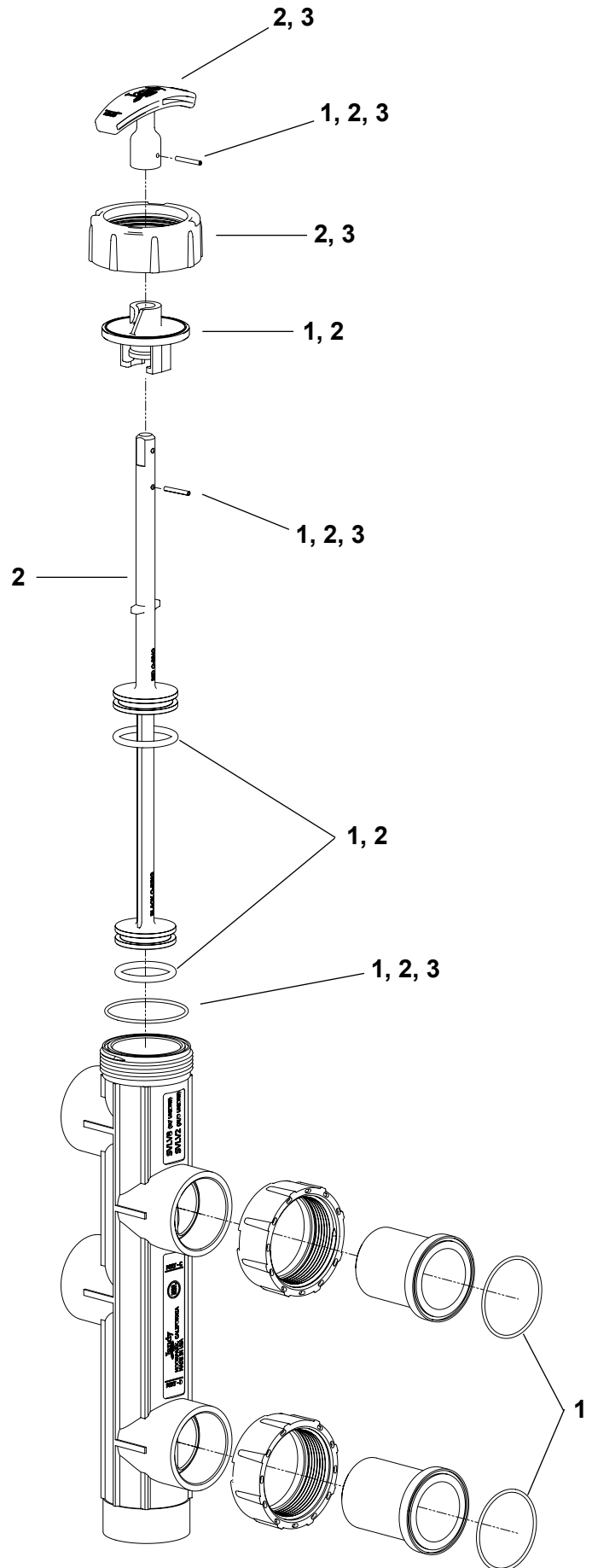


Figure 10. Slide Valve Performance Curve - (Slide Valve with DE Filter Data Shown)

## Section 6. Jandy Slide Valve Exploded View and Replacement Parts List

Key No.	Description	Qty.	Order Part No.
1	Rebuild Kit (O-rings, Roll Pins and Index Plate/Lid)		R0442100
	O-ring, Lid	1	
	O-ring, Shaft, Top, Black	1	
	O-ring, Shaft, Bottom, Purple	1	
	O-ring, Union Tail Piece	2	
	Roll Pin, Handle (1")	1	
	Roll Pin, Shaft ( <sup>13</sup> / <sub>16</sub> "	1	
	Index Plate/Lid	1	
2	Shaft Replacement Kit		R0442200
	Shaft	1	
	Handle	1	
	Roll Pin, Handle (1")	1	
	Roll Pin, Shaft ( <sup>13</sup> / <sub>16</sub> "	1	
	Index Plate/Lid	1	
	Lid Union Nut	1	
	O-ring, Lid	1	
	O-ring, Shaft, Top, Black	1	
	O-ring, Shaft, Bottom, Purple	1	
3	Handle Replacement Kit		R0442300
	Handle	1	
	Roll Pin, Handle (1")	1	
	Roll Pin, Shaft ( <sup>13</sup> / <sub>16</sub> "	1	
	Lid Union Nut	1	
	Lid O-ring	1	





**NOTES**

---

**NOTES**



## LIMITED WARRANTY

Thank you for purchasing Jandy® pool and spa products. Waterpik Technologies (manufacturer of Jandy products, including Laars® pool and spa heaters, Air Energy Heat Pumps, and Clromatic Electronic Chlorine Generators) warrants all parts to be free from manufacturing defects in materials and workmanship for a period of one year from the date of retail purchase, with the following exceptions:

- AquaLink® RS units installed with Jandy Surge Protection Kits will be covered for two years.
- NeverLube® valves are warranted for the life of pool and/or spa on which they were originally installed.
- AquaPure™ Electronic Chlorine Generator Electrolytic Cells carry a 5 year limited warranty on a prorated basis.

This warranty is limited to the first retail purchaser, is not transferable, and does not apply to products that have been moved from their original installation sites. The liability of Waterpik Technologies shall not exceed the repair or replacement of defective parts and does not include any costs for labor to remove and reinstall the defective part, transportation to or from the factory, and any other materials required to make the repair. This warranty does not cover failures or malfunctions resulting from the following:

1. Failure to properly install, operate or maintain the product(s) in accordance with our published Installation, Operation and Maintenance Manuals provided with the product(s).
2. The workmanship of any installer of the product(s).
3. Not maintaining a proper chemical balance in your pool and/or spa [pH level between 7.2 and 7.8, Total Alkalinity (TA) between 80 to 120 ppm, Total Dissolved Solids (TDS) less than 2000 not including salt ppm].
4. Abuse, alteration, accident, fire, flood, lightning, rodents, insects, negligence or acts of God.
5. Scaling, freezing, or other conditions causing inadequate water circulation.
6. Operating the product(s) at water flow rates outside the published minimum and maximum specifications.
7. Use of non-factory authorized parts or accessories in conjunction with the product(s).
8. Chemical contamination of combustion air or improper use of sanitizing chemicals, such as introducing sanitizing chemicals upstream of the heater and cleaner hose or through the skimmer.
9. Overheating; incorrect wire runs; improper electrical supply; collateral damage caused by failure of O-Rings, DE grids, or cartridge elements; or damage caused by running the pump with insufficient quantities of water.

### LIMITATION OF LIABILITY:

This is the only warranty given by Waterpik Technologies. No one is authorized to make any other warranties on Waterpik Technologies' behalf. **THIS WARRANTY IS IN LIEU OF ALL OTHER WARRANTIES, EXPRESSED OR IMPLIED, INCLUDING BUT NOT LIMITED TO ANY IMPLIED WARRANTIES OF FITNESS FOR A PARTICULAR PURPOSE AND MERCHANTABILITY. WATERPIK TECHNOLOGIES EXPRESSLY DISCLAIMS AND EXCLUDES ANY LIABILITY FOR CONSEQUENTIAL, INCIDENTAL, INDIRECT OR PUNITIVE DAMAGES FOR BREACH OF ANY EXPRESSED OR IMPLIED WARRANTY.** This warranty gives you specific legal rights. You may also have other rights which vary by state or province.

### WARRANTY CLAIMS:

For prompt warranty consideration, contact your dealer and provide the following information: proof of purchase, model number, serial number and date of installation. The installer will contact the factory for instructions regarding the claim and to determine the location of the nearest designated service center. If the dealer is not available, you can locate a service center in your area by visiting [www.jandy.com](http://www.jandy.com) or by calling our technical support department at (707) 776-8200 extension 260. All returned parts must have a Returned Material Authorization number to be evaluated under the terms of this warranty.

H0569400B

# Jandy®



A Waterpik Technologies Company  
6000 Condor Drive • Moorpark, CA USA 93021 • 707.776.8200 • Fax 707.763.7785  
480 S. Service Road West • Oakville, Ontario, Canada L6K 2H4 • 905.844.8233 • Fax 905.844.2635

Litho in U.S.A. © Waterpik Technologies 0505

## Free Manuals Download Website

<http://myh66.com>

<http://usermanuals.us>

<http://www.somanuals.com>

<http://www.4manuals.cc>

<http://www.manual-lib.com>

<http://www.404manual.com>

<http://www.luxmanual.com>

<http://aubethermostatmanual.com>

Golf course search by state

<http://golfingnear.com>

Email search by domain

<http://emailbydomain.com>

Auto manuals search

<http://auto.somanuals.com>

TV manuals search

<http://tv.somanuals.com>