

IntelliFlo® 4 160 and 100

Variable Speed Programmable Pump

(Compatible with IntelliTouch™, EasyTouch™ and IntelliComm)



Installation and User's Guide

IMPORTANT SAFETY INSTRUCTIONS
READ AND FOLLOW ALL INSTRUCTIONS
SAVE THESE INSTRUCTIONS

Customer Support

Sanford, North Carolina (8 A.M. to 5 P.M.)

Phone: (800) 831-7133

Moorpark, California (8 A.M. to 5 P.M.)

Phone: (800) 831-7133 (Ext. 6312)

Fax (800) 284-4151

Web sites: visit www.pentairpool.com and staritepool.com

© 2006 Pentair Water Pool and Spa, Inc. All rights reserved

This document is subject to change without notice

1620 Hawkins Ave., Sanford, NC 27330 • (919) 566-8000
10951 West Los Angeles Ave., Moorpark, CA 93021 • (805) 553-5000

Trademarks and disclaimers: EasyTouch, IntelliChlor, IntelliFlo, QuickTouch and the Pentair Water Pool and Spa logo are trademarks of Pentair Water Pool and Spa, Inc. Other trademarks and trade names may be used in this document to refer to either the entities claiming the marks and names or their products. Pentair Water Pool and Spa, Inc. disclaims proprietary interest in marks and names of others.

P/N 357269 Rev B - 02/15/2006

Contents

Important Safety Precautions	ii
Section 1: IntelliFlo Overview	1
IntelliFlo 4 Variable Speed Pump	1
IntelliFlo 4 models	1
External Control	1
Features	2
IntelliFlo 4 Motor Assembly	2
IntelliFlo 4 Drive Assembly and Control Panel	3
IntelliFlo 4 Operator Control Panel	4
Controls and LEDs	4
Section 2: Operating IntelliFlo 4	5
Setting the pump preset speed	5
Adjusting the pump speed	5
Starting the pump	6
Stopping the pump	6
Resetting the pump to factory defaults	6
Assigning a pump address for remote control	6
Priming the pump for the first time or after service	7
Priming the Pump	8
External Control with IntelliComm Communication Center	9
External Control Connection	9
Connecting IntelliFlo 4 to an EasyTouch System	10
Section 3: User Maintenance	13
Pump Strainer Basket	13
Pump Strainer Basket Service	13
Motor Service	14
Winterizing	15
Priming the pump after service	15
Section 4: Installation and Removal	17
IntelliFlo 4 Kit Contents	17
Installing IntelliFlo 4	17
Location	17
Piping	17
Check Valve	17
Wiring the IntelliFlo 4	18
Pump Disassembly	19
Pump Reassembly/Seal Replacement	20
Shaft Seal Replacement	20
Drive Assembly Removal and Installation	21
Illustrated Parts List	22
IntelliFlo Pump Dimensions	23
IntelliFlo Flow and Power vs Flow Pump Curve	23
IntelliFlo 4 Electrical Specifications	23
Section 5: Troubleshooting	25
Warning and Alarm LED conditions	25
Alarm and warning LED sequence	25
General IntelliFlo 4 Troubleshooting Problems	26

IMPORTANT SAFETY PRECAUTIONS



Important Notice:

Attention Installer: This manual contains important information about the installation, operation and safe use of this product. This information should be given to the owner and/or operator of this equipment.



WARNING — Before installing this product, read and follow all warning notices and instructions which are included. Failure to follow safety warnings and instructions can result in severe injury, death, or property damage. Call (800) 831-7133 for additional free copies of these instructions.



WARNING — Entrapment Avoidance Notice:



The suction outlet connected to a swimming pool or spa pump can pull a high vacuum if it is blocked. Therefore, if only one suction outlet smaller than 18" x 23" is used, anyone blocking the suction outlet with their body can be trapped and held against the suction outlet. Disembowelment or drowning can result. Therefore, if small suction outlets are used with this pump, to prevent this entrapment and possible death, install at least two suction outlets in the body of water. Separate these suction outlets as described in the International Residential Code (IRC), the International Business Code (IBC), the Consumer Products Safety Council (CPSC) Guidelines for Entrapment Hazards: Making Pools and Spas Safer or ANSI/IAF-7 Standard for Suction Entrapment Avoidance in Swimming Pools, Wading Pools, Spas, Hot Tubs and Catch Basins. If suction outlets are not used, additional entrapment avoidance measures as described in the CPSC Guidelines or ANSI/IAF-7 should be employed.

The covers used on suction outlets should be approved and listed as conforming to the currently published edition of ANSI/ASME A112.19.8 Standard covering Suction Fittings for Use in Swimming Pools, Wading Pools, Spas and Hot Tubs. These covers should be inspected regularly and replaced if cracked, broken or older than the design lifetime indicated on them by the manufacturer. The maximum possible flow rate of this pump should be less than or equal to the maximum approved flow rate indicated on the suction outlet cover by the manufacturer. **THE USE OF UNAPPROVED COVERS OR ALLOWING USE OF THE POOL OR SPA WHEN COVERS ARE CRACKED OR BROKEN CAN RESULT IN HAIR ENTANGLEMENT WHICH CAN RESULT IN DEATH.**



WARNING — Risk of electrical shock or electrocution.



This pool pump must be installed by a licensed or certified electrician or a qualified pool serviceman in accordance with the National Electrical Code and all applicable local codes and ordinances. Improper installation will create an electrical hazard which could result in death or serious injury to pool users, installers, or others due to electrical shock, and may also cause damage to property.

Always disconnect power to the pool pump at the circuit breaker before servicing the pump. Failure to do so could result in death or serious injury to serviceman, pool users or others due to electric shock.

IMPORTANT SAFETY PRECAUTIONS (continued)



WARNING — Water temperature in excess of 100° Fahrenheit may be hazardous to your health. Prolonged immersion in hot water may induce hyperthermia. Hyperthermia occurs when the internal temperature of the body reaches a level several degrees above normal body temperature of 98.6° F. (37° C.). The symptoms of hyperthermia include: drowsiness, lethargy, dizziness, fainting, and an increase in the internal temperature of the body.

The effects of hyperthermia include: 1) Unawareness of impending danger. 2) Failure to perceive heat. 3) Failure to recognize the need to leave the spa. 4) Physical inability to exit the spa. 5) Fetal damage in pregnant women. 6) Unconsciousness resulting in danger of drowning.

WARNING — **The use of alcohol, drugs, or medication can greatly increase the risk of fatal hyperthermia in hot tubs and spas.**

WARNING — To reduce the risk of injury, do not permit children to use this product unless they are closely supervised at all times.

WARNING — For units intended for use in other than single-family dwellings, a clearly labeled emergency switch shall be provided as part of the installation. The switch shall be readily accessible to the occupants and shall be installed at least 5 feet (1.52 m) away, adjacent to, and within sight of, the unit.

WARNING — When setting up pool water turnovers or flow rates the operator must consider local codes governing turnover as well as disinfectant feed ratios.

WARNING — Before servicing the system, switch the main power OFF and remove the communication cable from the pump.

CAUTION — Install the pump a minimum of five (5) feet from the inside wall of the pool and spa. Canadian installations require a minimum of three (3) meters from pool water.

CAUTION — A No. 8 AWG or larger conductor must be wired to the motor bonding lug.

CAUTION — This pump is for use with permanently installed pools and may also be used with hot tubs and spas if so marked. Do not use with storable pools. A permanently installed pool is constructed in or on the ground or in a building such that it cannot be readily disassembled for storage. A storable pool is constructed so that it may be readily disassembled for storage and reassembled to its original integrity and has a maximum dimension of 18 feet (5.49m) and a maximum wall height of 42 inches (1.07m).

CAUTION — For hot tubs and spa pumps, do not install within an outer enclosure or beneath the skirt of a hot tub or spa unless so marked.

CAUTION — IntelliFlo is capable of generating systems pressures up to 50 psi. Installers must ensure that all system components are rated to withstand at least 50 psi. Over pressurizing the system can result in catastrophic component failure or property damage.

General Installation Information

- **All work must be performed by a licensed electrician, and must conform to all national, state, and local codes.**
- Install to provide drainage of compartment for electrical components.

IMPORTANT SAFETY PRECAUTIONS (continued)

General Installation Information

⚠ WARNING — Pumps improperly sized or installed or used in applications other than for which the pump was intended can result in severe personal injury or death. These risks may include but not be limited to electric shock, fire, flooding, suction entrapment or severe injury or property damage caused by a structural failure of the pump or other system component.

⚠ WARNING — The pump can produce high levels of suction within the suction side of the plumbing system. These high levels of suction can pose a risk if a person comes within the close proximity of the suction openings. A person can be seriously injured by this high level of vacuum or may become trapped and drown. It is absolutely critical that the suction plumbing be installed in accordance with the latest national and local codes for swimming pools.



- These instructions contain information for a variety of pump models and therefore some instructions may not apply to a specific model. All models are intended for use in swimming pool applications. The pump will function correctly only if it is properly sized to the specific application and properly installed.

General Warnings

- Never open the inside or the drive motor enclosure. There is a capacitor bank that holds a 230 VAC charge even when there is no power to the unit.
- The IntelliFlo 4 pump is not submersible
- The IntelliFlo 4 160 pump is capable of 174 GPM or 104 feet of head; use caution when installing and programming to limit pumps performance potential with old or questionable equipment
- The IntelliFlo 4 100 pump is capable of 100 GPM or 85 feet of head; use caution when installing and programming to limit pumps performance potential with old or questionable equipment
- Code requirements for the electrical connection differ from state to state. Install equipment in accordance with the National Electrical Code and all applicable local codes and ordinances.
- Always Press the Stop button and disconnect the communication cable before performing maintenance

Section 1

Overview

IntelliFlo 4 Variable Speed Pump

The IntelliFlo 4 variable speed pump is well suited for all of your pool, spa, cleaner, waterfall and other water application. Using the control panel, IntelliFlo can use one of the four selectable preset speeds or the pump speed can be adjusted to run at a specific speed. IntelliFlo out performs all conventional pumps in its class. Advanced energy conservation features ensure that your filtration system is operating at peak efficiency.

IntelliFlo 4 models

There are two IntelliFlo 4 models which operate identically with the exception of the maximum flow rate:

- IntelliFlo 4 160 operates at a maximum system flow of 160 gallons per minute (GPM)
- IntelliFlo 4 100 operates at a maximum system flow of 100 gallons per minute (GPM)

The IntelliFlo 4 variable speed pump can operate from 400 RPM to 3450 RPM with preset speeds of 750, 1500, 2350, and 3110 RPM. The pump can be adjusted from the control panel to run at any speed between 400 RPM to 3450 RPM for different applications. The IntelliFlo pump control panel alarm LED warns the user against under and over voltage, high temperature, over current and freeze protection.

External Control

Using a communication cable, IntelliFlo 4 can communicate with an IntelliTouch, EasyTouch or IntelliComm via a two-wire RS-485 connection for remote speed control. The EasyTouch and IntelliComm provide the ability to remotely control the IntelliFlo 4 with four preset speeds. The IntelliTouch can be setup to use eight speeds with the IntelliFlo 4.



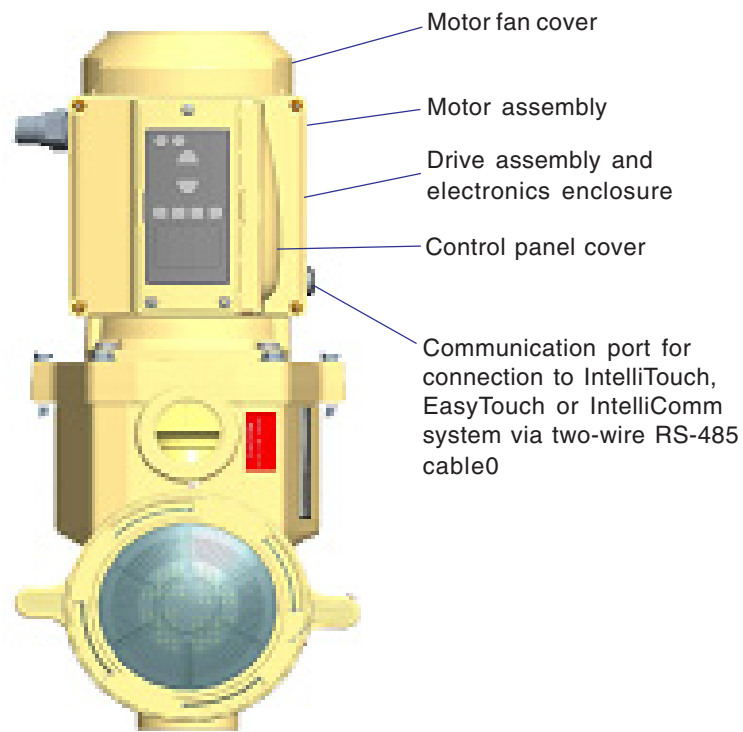
IntelliFlo 4 variable speed pump

Features

- Adjusts to various pool sizes
- Prevents thermal overload
- Detects and prevents damage from under and over voltage conditions
- Protects against freezing
- Communicates with a Pentair IntelliTouch, EasyTouch and IntelliComm system via a two-wire connection
- Easy to use operator control panel
- Operator control panel buttons for speed control
- Built-in strainer pot and volute
- Ultra energy-efficient TEFC Square Flange Motor
- Compatibility with most cleaning systems, filters, and jet action spas
- Driver assembly features permanent magnet synchronous motor
- Heavy-duty, durable construction designed for long life
- UL approval

IntelliFlo 4 Motor Assembly

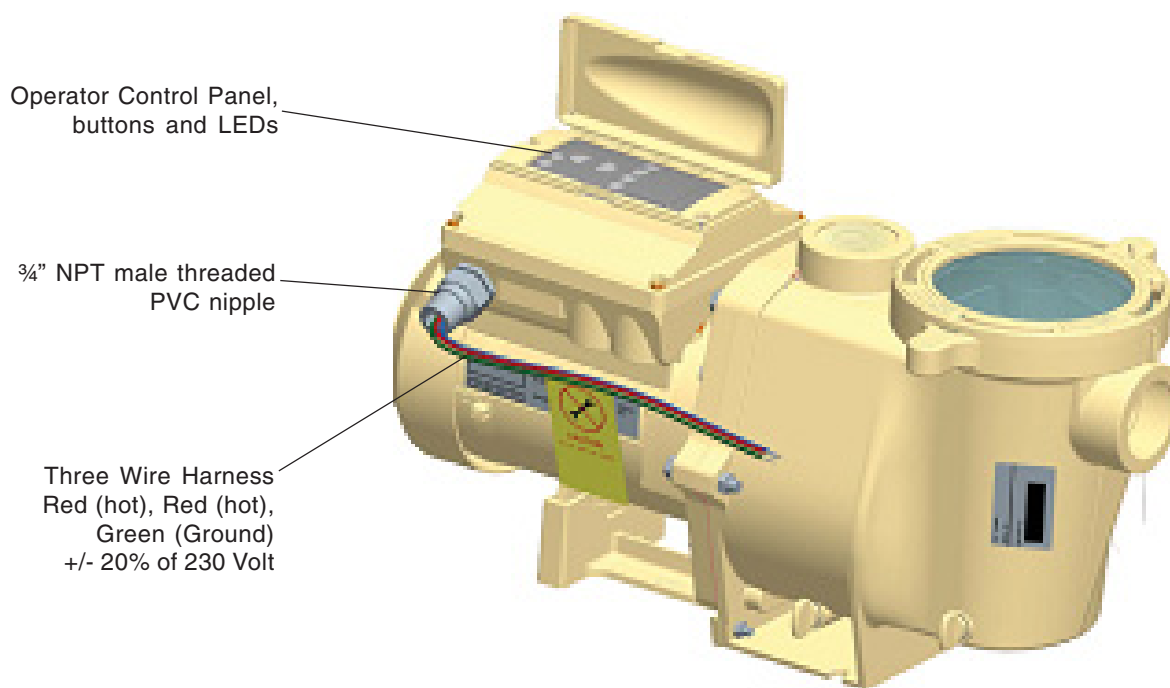
The IntelliFlo three-phase six-pole motor operates at 3400 RPM (at 92% efficiency) and 1000 RPM (at 90%). The motor assembly is continually cooled by an external fan. Dual seals on the motor shaft and at the fan assembly seal the entire motor from any moisture from entering the motor assembly. For added protection, a slinger located in front of the main shaft seal assists in slinging water away from the shaft opening in the flange.



IntelliFlo 4 Motor Assembly

IntelliFlo 4 Drive Assembly and Control Panel

The IntelliFlo drive assembly consists of an operator control panel and the system electronics that drive the motor. The drive microprocessor controls the motor by changing the frequency of the current it receives together with changing the voltage to control the rotational speed.



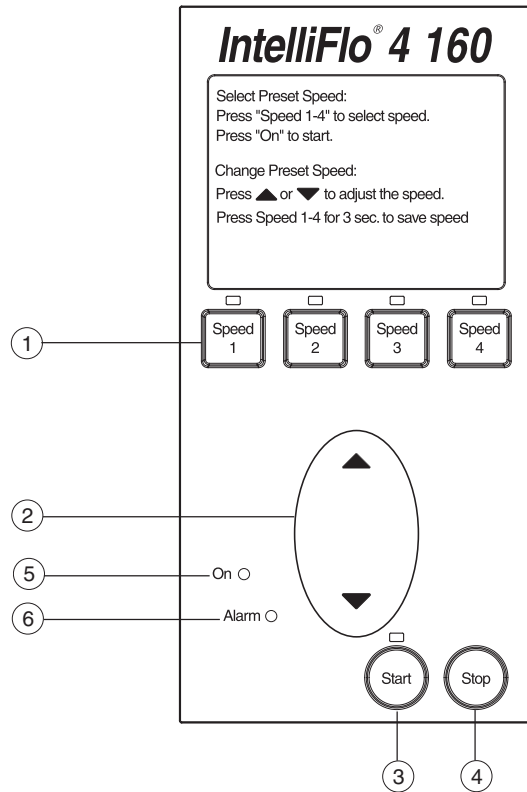
IntelliFlo 4 Drive Assembly

IntelliFlo 4 Motor Features

- Permanent Magnet Synchronous Motor (PMSM)
- High efficiency (3400 RPM 92% and 1000 RPM 90%)
- Superior speed control
- Operates at lower temperatures due to high efficiency
- Same technology as deployed in hybrid electric vehicles
- Designed to withstand outdoor environment
- Totally enclosed fan cooled
- Three-phase motor
- 56 Square Flange
- Six-Pole
- Low noise

IntelliFlo 4 Operator Control Panel

The IntelliFlo 4 operator control panel provides manual speed controls for the pump. There are four preset speed buttons that can be selected. The Up and Down button is used to adjust the pump speed. The selected speed can be saved and assigned to one of the speed buttons.



Controls and LEDs

- ① **Speed 1, Speed 2, Speed 3, and Speed 4 button/LED:** Press one of the speed buttons to select the desired preset pump speed. The pump preset speeds are: **Speed 1 (750 RPM), Speed 2 (1500 RPM), Speed 3 (2350 RPM), and Speed 4 (3110 RPM)**. The speed button LED is on when the selected button is pressed. If the pump is running and the Up/Down button is used to adjust the speed, the selected speed LEDs will go off. For more about using the speed buttons, see page 5.
- ② **Up/Down button:** While the pump is running, press the Up or Down button to increase or decrease the pump speed. To save the new pump speed, press any one of the four speed buttons for three seconds to assign the speed to the selected button (the LED be on). Four adjusted pump speeds can be assigned to the speed buttons. When the pump is using an adjusted speed and the pump is powered down, the next time the pump is powered up the pump will use the same speed. For more about using the Up/Down button, see page 5.
- ③ **Start button/LED:** Starts the pump using a selected or adjusted speed. This LED is on when the pump is running.
- ④ **Stop button:** Press this button to stop the pump.
- ⑤ **On LED:** This green power LED is on when IntelliFlo 4 is powered up.
- ⑥ **Alarm LED:** This LED is on when an error condition occurs. This green LED will flash a certain number of times indicating a specific error condition. For the alarm LED flash sequence, refer to “Alarm and Warning LED Sequence,” on page 25.

Section 2

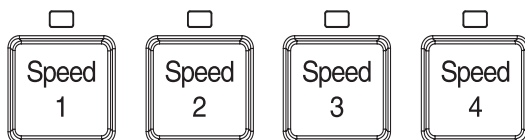
Operating IntelliFlo 4

This section describes how to use the IntelliFlo 4 pump control panel.

Setting the pump preset speed

IntelliFlo 4 operates using one of the preset speeds. Use the speed buttons to select the preset speeds.

To set the pump speed



1. Ensure that the pump is powered on and the green power LED is on.
2. Press the desired speed button (1- 4) for less than three seconds to select the preset pump speed. When the selected speed button is pressed, the LED is on. The pump preset buttons and speeds are:

Speed 1 button - 750 RPM

Speed 2 button - 1500 RPM

Speed 3 button - 2350 RPM

Speed 4 button - 3110 RPM

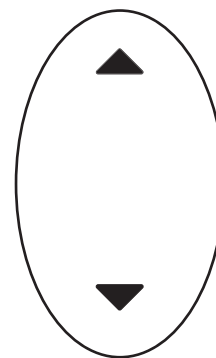
3. Press the **Start** button to start the pump using the selected speed if necessary.

Adjusting the pump speed

IntelliFlo can be adjusted to run at any speed between 400 RPM and 3450 RPM.

To adjust the pump speed

1. Ensure that the pump is powered on and the green power LED is on.
2. Press the **Start** button to start the pump if the pump is not running.
3. Press the **UP/Down** button to increase or decrease the pump speed.
 - **10 RPM increments:** Press and quickly release the **Up/Down** button to increase or decrease the speed in 10 RPM increments.
 - **20 RPM increments:** Press and hold the **Up/Down** button to continuously increase or decrease the pump speed.
4. **Saving an adjusted speed:** To save the newly adjusted pump speed, press and hold the desired speed buttons to assign the current speed. Four new pump speeds can be assigned to Speed buttons (1-4).
5. Press the **Speed** button that is assigned to the adjusted speed.



Up/Down button

Starting the pump

To start the pump

1. Ensure that the pump is powered on and the green power LED is on.
2. Press the **Start** button (LED on) to start the pump.

Note: When the pump is using a modified speed and is powered down, the next time the pump is powered up, the pump will use that same speed.

Stopping the pump

To stop the pump

- Press the **Stop** button to stop the pump.

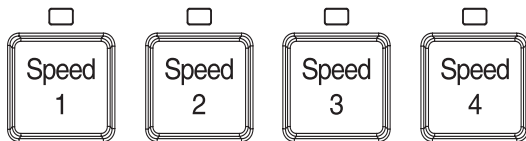
Note: The pump can automatically restart if the communication cable is connected.

Resetting the pump to factory defaults

The IntelliFlo 4 pump can be reset to the factory default settings. All previously adjusted pump speeds that were saved will be erased.

To reset the pump to the factory default settings:

1. Ensure that the pump is powered on and the green power LED is on.
2. Press the **Stop** button to stop the pump.
3. Press and hold all of the four **Speed** buttons simultaneously for three seconds. Power off the drive and reenergize. The default settings will be in effect.



Control Panel Speed Buttons

Assigning a pump address for remote control

The default communications address for the IntelliFlo 4 is 1. This is the only IntelliFlo address that the EasyTouch and IntelliComm systems will communicate with. Therefore these devices can only communicate with one IntelliFlo 4. The IntelliTouch is able to communicate with four Intelliflo 4 pumps. If more than one IntelliFlo 4 is being used with an IntelliTouch the 2nd, 3rd and 4th pumps will have to be readdressed as described below.

To assign a pump an address:

1. Be sure that the pump is powered on and the green power LED is on.
2. Press the **Stop** buttons to stop the pump.
3. Press and hold both the **Start and Stop** buttons until the red LED will starts flashing, then press one of the four speed buttons to select which address to assign the pump.
4. Press and hold both the **Start and Stop** buttons to save the address. Repeat the process for the other pumps.

Priming the pump for the first time or after service

Before the IntelliFlo 4 pump is started for the first time it must be primed. To prime a pump means filling the pump and suction pipe with water. This process evacuates the air from all the suction lines and the pump. It may take several minutes to prime depending on the depth of water, pipe size and length. It is easier to prime a pump if you allow all the air to escape from the pump and pipes. The water cannot enter unless the air can escape. Pumps do not hold prime, the pool piping system has that task.

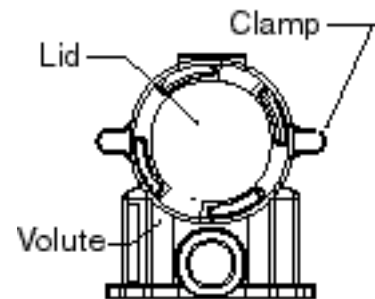
CAUTION - To avoid permanent damage to the IntelliFlo 4 pump, before starting the pump, fill the IntelliFlo housing strainer with water so that the pump will prime correctly. If there is no water in the stainer the pump will not prime.

- NEVER run the pump dry! Running the pump dry may damage the seals, causing leakage and flooding!
- Do not add chemicals to the system directly in front of pump suction. Adding undiluted chemicals may damage the pump and will void the warranty.
- Open gate valves before starting system.
- Pump will prime itself when used in flooded suction system.
- Be sure to release all air from filter and piping system.
- The IntelliFlo 4 pump is a variable speed pump. Typically the lower speeds are used for filtration and heating. The higher speeds can be used for spa jets, water features, and priming.

CAUTION - Before starting this procedure, first read the following

Before removing the pump lid:

1. **Press the Stop button** if the pump is running before proceeding.
1. **Disconnect the communication cable from the pump.**
2. **Close the gate valves** in suction and discharge pipes.
3. **Release all pressure** from pump and piping system.
4. **Never tighten or loosen** the clamp while the pump is operating.



WARNING! If the pump is being pressure tested, release all pressure before removing the trap cover. Do not block the pump suction while the pump is running. If a body part blocks the pump suction it may cause severe or fatal injury. Small children using the pool must ALWAYS have close adult supervision.

WARNING! FIRE and BURN HAZARD - The pump motor may run at a high temperatures. To reduce the risk of fire, do not allow leaves, debris, or foreign matter to collect around the pump motor. To avoid burns when handling the motor, shut off the motor and allow it to cool for 20 minutes before trying to work on it. The IntelliFlo 4 provides an automatic internal cutoff switch to protect the motor from heat damage during operation.

Priming the pump for the first time or after service (Continued)

Priming the Pump

- Release all pressure from filter, pump, and piping system; see the filter owner's manual.
- In a flooded suction system (water source higher than pump), the IntelliFlo 4 pump will prime itself when suction and discharge valves are opened.
- If the IntelliFlo 4 pump is not in a flooded suction system, unscrew and remove lid cover; fill the and pump with water.
- Do not lubricate the trap cover o-ring. The original equipment o-ring contains a permanent internal lubricant.

NOTICE: If you replace the o-ring with a non-internally lubricated o-ring, you may need to apply a silicone based lubricant.

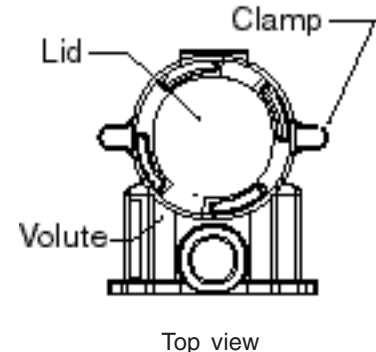
- Clean and inspect o-ring; reinstall on trap cover.
- Replace trap cover on trap; turn clockwise to tighten cover.

NOTICE: Tighten the pump lid by hand only (no wrenches)!

Pump should prime now. Priming time will depend on vertical length of suction lift and horizontal length of suction piping. If pump does not prime, make sure that all valves are open, suction pipe end is under water, pump suction is below water level, and that there are no leaks in suction pipe.

To prime the IntelliFlo 4 pump:

1. Turn the pump clamp and lid in a counterclockwise direction until it stops and remove them.
2. Fill the pump strainer pot with water.
3. Reinstall the pump clamp and lid onto the strainer pot. The pump is now ready to prime.
4. Make sure all electrical connections are clean and tight.
5. Open the air release valve on the filter, and stand clear of the filter.
6. Switch the IntelliFlo pump on at the circuit breaker. Ensure that the green power light is on.
7. Press the **Speed 1** button to select the pump speed of 750 RPM.
8. Press the **Start** button to start the pump. Use the **Up/Down** button to increase the speed as necessary to prime the pump.
9. When water comes out of the air release valve, close the valve. The system should now be circulating water back to the pool without air bubbles showing in either the hair and lint pot or at the pool return fittings.
10. Use the **Up/Down** button to adjust the operating speed as desired.



External Control with IntelliComm Communication Center

The IntelliFlo 4 can be remotely controlled by the Pentair IntelliComm Communication Center using an optional communications cable (P/N 350122). The IntelliComm provides four pairs of input terminal connections. These inputs are actuated by either 15 - 240 VAC or 15 - 100 VDC. Using the device's inputs, the programmed IntelliFlo 4 pump speeds can be controlled.


If more than one input is active the highest number will be communicated to the IntelliFlo pump. The IntelliComm will always communicate to pump address 1.

The following table shows the wiring terminal descriptions for IntelliComm.

External Control



IntelliComm Communication Center

Terminal number	Terminal name	Voltage	Maximum current	Phase type	Frequency
1-2	Power supply	100 - 240 VAC	100 mA	1 Input	50/60 Hz
3-4	Program 1	15 -240 VAC or 15 - 100 VDC	1 mA*	1 Input	50/60 Hz
5-6	Program 2	15 -240 VAC or 15 - 100 VDC	1 mA*	1 Input	50/60 Hz
7-8	Program 3	15 -240 VAC or 15 - 100 VDC	1 mA*	1 Input	50/60 Hz
9-10	Program 4	15 -240 VAC or 15 - 100 VDC	1 mA*	1 Input	50/60 Hz
11 12	RS-485 + Data: Yellow - Data: Green	-5 to +5 VDC	5 mA	1 Output	N/A
	Ground				

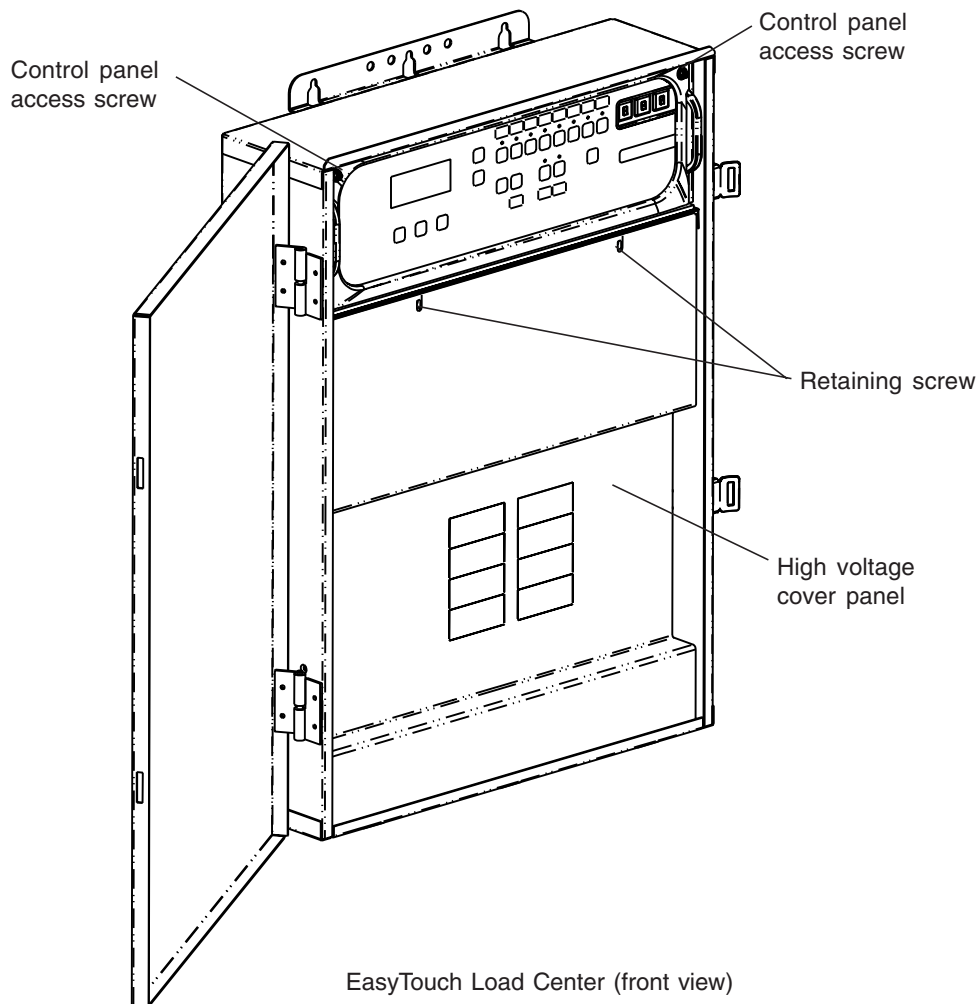
Connecting IntelliFlo 4 to an EasyTouch System

The IntelliFlo 4 can be controlled by an IntelliTouch system via the RS-485 communication cable (PN 350122). In this configuration, IntelliTouch starts, stops and controls the speed of the IntelliFlo pump. When the IntelliTouch does this, it rewrites the IntelliFlo 4 memory, which can take several seconds. This causes a delay from when a command is given on the IntelliTouch control panel until the IntelliFlo 4 physically responds.

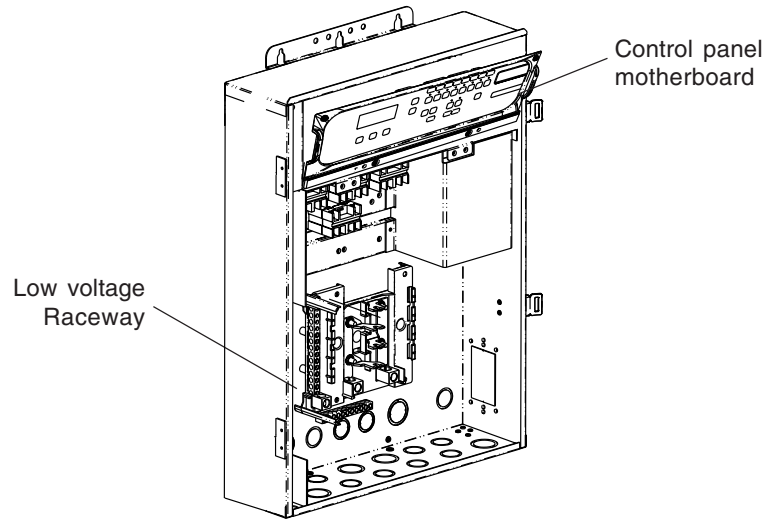
The IntelliFlo 4 control panel is disabled when communicating with the IntelliTouch system. Note that IntelliTouch will not start communicating with the IntelliFlo 4 until the appropriate pump address is assigned to a circuit. The IntelliFlo 4 default pump address is one. See page 6 for details on how to change the address to 2, 3 or 4. For more information, refer to the IntelliTouch User's Guide (PN 520102).

To connect the IntelliFlo cable to EasyTouch load center:

1. **⚠ CAUTION - Switch the main power off to the EasyTouch Load Center.**
2. Unlatch the two enclosure door spring latches, and open the door.
3. Remove the two retaining screws securing the high voltage cover panel, and remove it from the enclosure.
3. Loosen the two access screws securing the control panel.



4. Lower down the hinged control panel to access the EasyTouch motherboard.
5. Route the communication cable into the lower plastic grommet, up through the low voltage raceway to the EasyTouch load center motherboard.

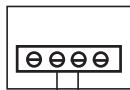


6. Strip back the cable conductors ¼ inch. Insert the two wires into the screw terminals on the board. Secure the wires with the screws.

7. **EasyTouch to IntelliFlo 4 pin configuration:**

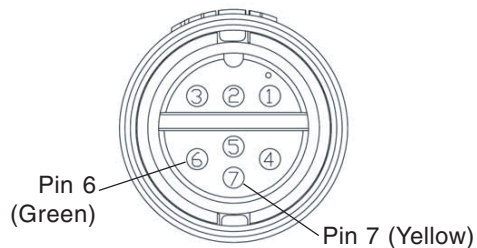
- IntelliFlo: Connect pin 6 (green) to EasyTouch screw terminal pin 2 (green)
- IntelliFlo: Connect pin 7 (yellow) to EasyTouch screw terminal pin 3 (yellow)

EasyTouch (J20)
screw terminal



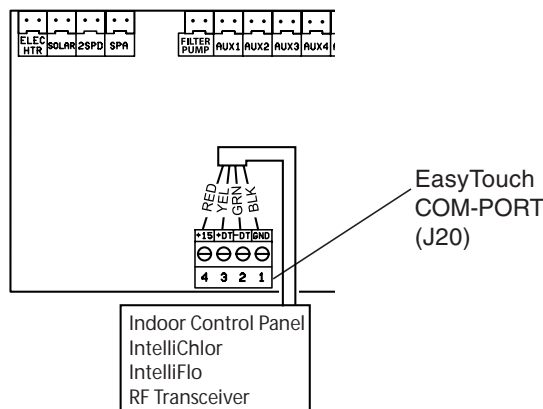
EasyTouch screw terminal connector	IntelliFlo (2-wire cable)
2 (GRN)	GREEN (Pin 6)
3 (YEL)	YELLOW (Pin 7)

Pin configuration

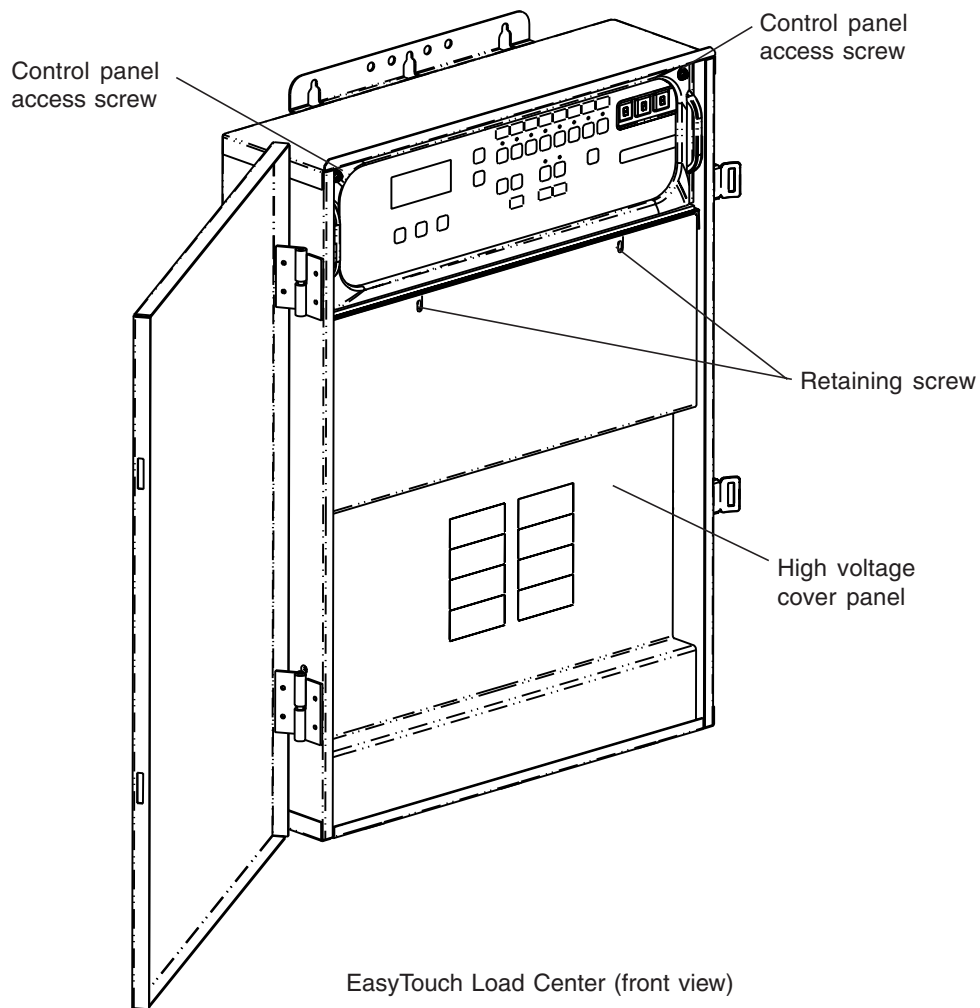


IntelliFlo connector pin configuration

8. Insert the screw terminal onto the EasyTouch **COM-PORT (J20)** board connector. *Note: Multiple wires may be inserted into a single screw terminal.*



9. Close the control panel into its original position and secure it with the two access screws.
10. Install the high voltage cover panel and secure it with the two retaining screws.
11. Close the EasyTouch load center front door. Fasten the two spring latches.
12. Switch the power on to the EasyTouch load center.



Section 3

User Maintenance

The following information describes how to service and maintain the IntelliFlo pump.

Pump Strainer Basket

The strainer, sometimes referred to as the “Hair and Lint Pot,” is in front of the of the pump. Inside there is a basket which must be kept clean of leaves and debris at all times. View the basket through the top see through lid to inspect for leaves and debris.

Regardless of the length of time between filter cleaning, it is most important to visually inspect the hair and lint pot basket at least once a week. A dirty basket will reduce the efficiency of the filter and possibly the heater.

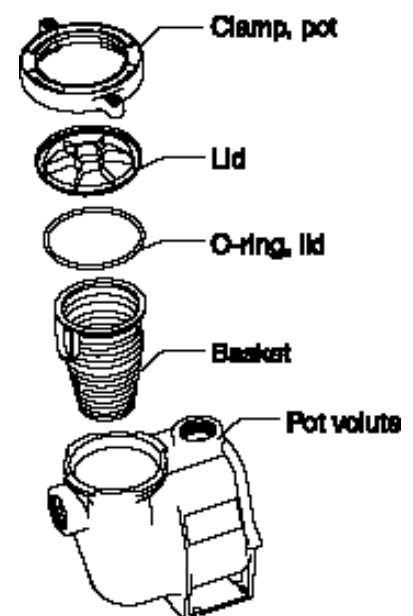
⚠ WARNING — **DO NOT** open the strainer pot if pump fails to prime or if pump has been operating without water in the strainer pot. Pumps operated in these circumstances may experience a build up of vapor pressure and may contain scalding hot water. Opening the pump may cause serious personal injury. In order to avoid the possibility of personal injury, make sure the suction and discharge valves are open and that the strainer pot is cool to the touch, then open with extreme caution.

⚠ CAUTION — To prevent damage to the pump and filter and for proper operation of the system, clean pump strainer and skimmer baskets regularly.

Pump Strainer Basket Service

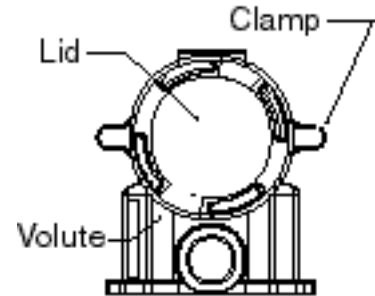
If the IntelliFlo pump is installed below the water level of the pool, close the return and suction lines before opening the hair and lint pot on the pump.

1. Press the Stop button to stop the pump and switch off the pump at the circuit breaker.
2. Disconnect the communication cable from the IntelliFlo 4 pump.
3. Relieve pressure in the system.
4. Turn the clamp and lid in a counterclockwise direction until it stops.
5. Remove the clamp and lid.
6. Remove the basket and put the debris into the trash and rinse out the basket. If the basket is cracked, replace the basket.
7. Replace the basket and fill the pump pot and volute with water up to the inlet port.
8. Clean the cover, o-ring, and sealing surface of the pump pot. Grease the o-ring with Teflon or silicone lubricant.
9. Reinstall the lid by placing the clamp and the lid on the pot.



Pump Strainer Basket Service (Continued)

10. Ensure that the lid o-ring is properly placed. Seat the clamp and lid then turn clockwise until the handles are horizontal as shown.
11. Reconnect the communication cable to the pump if required.
12. Switch the power ON at the circuit breaker. Reset the pool time clock to the correct time.



⚠ WARNING — FILTER OPERATES UNDER HIGH PRESSURE. WHEN ANY PART OF THE CIRCULATING SYSTEM (e.g., LOCK RING, PUMP, FILTER, VALVES, ETC.) IS SERVICED, AIR CAN ENTER THE SYSTEM AND BECOME PRESSURIZED. PRESSURIZED AIR CAN CAUSE THE LID TO BLOW OFF WHICH CAN RESULT IN SEVERE INJURY, DEATH, OR PROPERTY DAMAGE. TO AVOID THIS POTENTIAL HAZARD, FOLLOW THESE INSTRUCTIONS.

13. Open the manual air relief valve on top of the filter.
14. Stand clear of the filter. Press the Start button on the pump.
15. Bleed air from the filter until a steady stream of water comes out.
16. Close the manual air relief valve.

Motor Service

1. Protect from heat:

- Shade the motor and controller from the sun.
- Any enclosure must be well ventilated to prevent overheating. Particular attention should be paid to the motor fan cover and the cooling fins between the drive and the motor.
- Provide ample cross ventilation.

2. Protect against dirt:

- Protect from any foreign matter or splashing water.
- Do not store (or spill) pool chemicals near the motor.
- Avoid sweeping or stirring up dust near the motor while it is operating.
- If a motor has been damaged by dirt it voids the motor warranty.

3. Protect against moisture:

- Protect from splashing pool water.
- Protect from the weather.
- Protect from lawn sprinklers.
- If a motor has become wet - let it dry before operating. Do not allow the pump to operate if it has been flooded.
- If a motor has been damaged by water it voids the motor warranty.

Note: DO NOT wrap motor and controller with plastic or other air tight materials. The motor and controller may be covered, but not wrapped in plastic, during a storm, for winter storage, etc., but never when operating, or expecting operation.

When replacing the motor, be certain that the motor support is correctly positioned to support the size of motor being installed.

Winterizing

To protect the IntelliFlo 4 pump electronics from damage due to freezing conditions, the pump will switch it self on to generate internal heat when the air temperature drops below 40° F. This feature is not intended to protect the system plumbing from freezing.

1. If the air temperature drops below 40° F the water in the pump can freeze and cause damage. Freeze damage is not warrantable.
2. To prevent freeze damage follow the procedures listed below.
 - Shut off electrical power for the pump at the circuit breaker.
 - Drain the water out of the pump by removing the two thumb-twist drain plugs located at the bottom of the volute. Store the plugs in the pump basket.
 - Cover the motor to protect it from severe rain, snow and ice.
 - Do not wrap the motor in plastic. It will cause condensation and rust on the inside of the motor.

Note: In mild climate areas, when temporary freezing conditions may occur, run your filtering equipment all night to prevent freezing.

Priming the pump after service

Before a system start-up, the pump and system must be manually primed. Make sure to reopen valves before operating. To prime IntelliFlo 4, the strainer pot must be filled with water.

⚠ CAUTION — DO NOT run the pump dry. If the pump is run dry, the mechanical seal will be damaged and the pump will start leaking. If this occurs, the damaged seal must be replaced. ALWAYS maintain proper water level in your pool. Continued operation in this manner could cause a loss of pressure, resulting in damage to the pump case, impeller and seal.

For instructions about how to prime the IntelliFlo 4 pump, refer to “Priming the pump for the first time or after servicing,” on page 7.

Blank Page

Section 4

Installation and Removal

The following information describes how to install the IntelliFlo 4 pump.

Note: Before installing this product, read and follow all warning notices and instructions on page ii.

IntelliFlo 4 Kit Contents

- IntelliFlo 4 160 (or IntelliFlo 4 100) pump

Installing the IntelliFlo 4

Only a qualified service person should install the IntelliFlo 4 pump.

Location

1. Install the pump as close to the pool or spa as possible. To reduce friction loss and improve efficiency, use short and direct suction and piping returns.
2. Install a minimum of five (5) feet from the inside wall of the pool and spa. Canadian installations require a minimum of three (3) meters from pool water.
3. Install the pump a minimum of two (2) feet from the heater outlet.
4. Do not install the pump more than (8) feet above the water level.
5. Install the pump in a sheltered well ventilated location protected from excessive moisture, (i.e., rain, sprinklers, etc.).
6. For hot tubs and spas, do not install within an outer enclosure or beneath the skirt of a hot tub or spa.
7. Install the pump with a rear clearance of at least 6 inches so that the motor can be removed easily for maintenance and repair.

Piping

For improved pool plumbing, it is recommended to use a larger pipe size. When installing the inlet and outlet fittings (male adaptors), use thread sealant. **Do NOT use Teflon® tape.**

Do not install 90° elbows directly into pump inlet or outlet. A valve, elbow or tee installed in the suction line should be no closer to the front of the pump than five (5) times the suction line pipe diameter (i.e., two (2) inch pipe requires a ten (10) inch straight run in front of the suction inlet of the pump). This will help the pump prime faster and last longer.

Flooded suction systems should have gate valves installed on suction and discharge pipes for maintenance, however, the suction gate valve should be no closer than five (5) times the suction pipe diameter as described above.

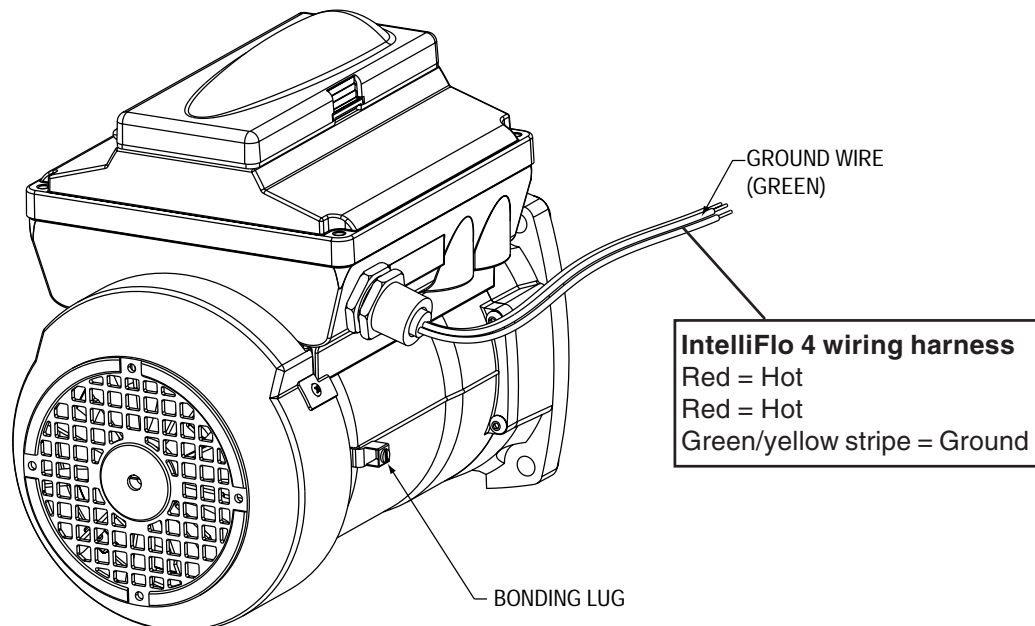
Check Valve

Check valves must be used when the IntelliFlo 4 is used in parallel with other pumps. IntelliFlo pumps cannot be used in series with other pumps.

Wiring the IntelliFlo 4

To connect the IntelliFlo 4 to an AC power source:

1. Make sure all electrical breakers and switches are turned off before wiring motor.
2. Make sure that the wiring voltage is 230 VAC.
3. Use #12 AWG for wire runs up to 100 feet and #10 AWG for lengths longer than 100 feet. When in doubt use a heavier gauge (larger diameter) wire. Heavier gauge will allow the motor to run cooler and more efficient.
4. Make sure all electrical connections are clean and tight.
5. Cut the wires to the appropriate length so they do not overlap or touch when connected.
6. Permanently ground the motor using the green ground wire, as shown below. Use the correct wire size and type specified by National Electrical Code. Make sure the ground wire is connected to an electrical service ground.
7. Bond the motor to the pool structure in accordance with the National Electrical Code. Use a solid No. 8 AWG or larger copper conductor. Run a wire from the external bonding lug to the pool bonding structure, as shown below.
8. The IntelliFlo pump is designed to be permanently connected to its power source. Typically the pump receives power directly from the circuit breaker. No contactor or motor starter is required. The drive controls the starting and stopping of the pump. If the IntelliFlo is connected to an automation system, such as EasyTouch or IntelliComm, the drive must be powered up to receive and respond to the RS-485 serial communication from the automation system. However, the pump can be operated in “stand-alone” mode, starting and stopping when power is applied or removed. When the drive powers up it will return to the mode and run status that it was in when power was removed. This setup maybe appropriate if you need to use existing relays or timers.
9. For wiring pinouts for the communications port, see page 11.



Pump Disassembly



WARNING — Always disconnect power to the pool pump at the circuit breaker and disconnect the communication cable before servicing the pump. Failure to do so could result in death or serious injury to serviceman, pool users or others due to electric shock.



Read all servicing instructions before working on the pump.



WARNING — **DO NOT** open the strainer pot if pump fails to prime or if pump has been operating without water in the strainer pot. Pumps operated in these circumstances may experience a build up of vapor pressure and may contain scalding hot water. Opening the pump may cause serious personal injury. In order to avoid the possibility of personal injury, make sure the suction and discharge valves are open and strainer pot temperature is cool to touch, then open with extreme caution.



CAUTION — Be sure not to scratch or mar the polished shaft seal faces; seal will leak if faces are damaged.

All moving parts are located in the rear subassembly of the IntelliFlo 4 pump.

Tools required:

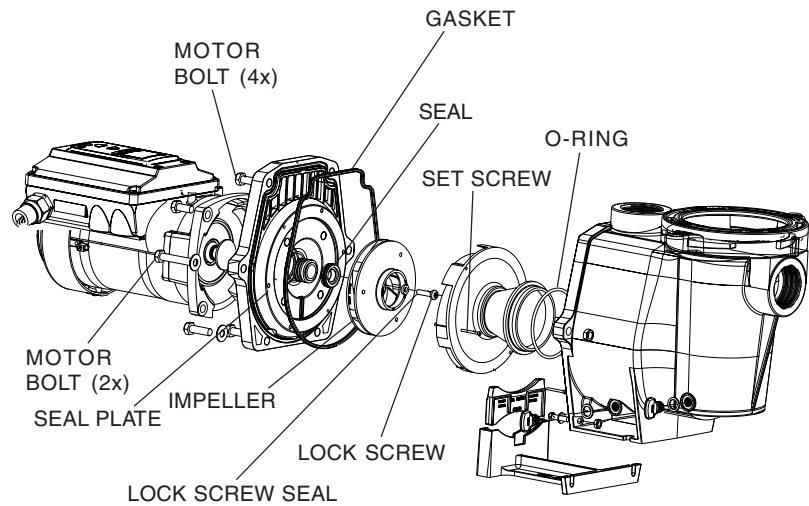
- 3/32 inch Allen head wrench.
- ½ inch open end wrench.
- 9/16 inch open end wrench.
- Flat blade screwdriver.

To remove and repair the pump mechanical seal, perform the following procedures:

1. Switch off the pump circuit breaker at the main panel.
2. Disconnect the RS-485 communication cable from the pump.
3. Drain the pump by removing the drain plugs.
4. Remove the six bolts that hold the main pump body (strainer pot/volute) to the rear subassembly.
5. **GENTLY** pull the two pump halves apart, removing the rear subassembly.
6. Use a 3/32 inch Allen head wrench to loosen the two holding screws located on the diffuser.
7. Hold the impeller securely in place and remove the impeller lock screw by using a Phillips head screwdriver. The screw is a left-handed thread and loosens in a clockwise direction.
8. Use a flat blade screwdriver to hold the motor shaft. The motor shaft has a slot on the end which is accessible through the center of the fan cover.

Pump Disassembly (Continued)

9. To unscrew the impeller from the shaft, twist the impeller counterclockwise.
10. Remove the rotating portion of the mechanical seal from the impeller.
11. Remove the four bolts from the seal plate to the motor, using a 9/16 inch wrench.
12. Place the seal plate face down on a flat surface and tap out the carbon spring seat.
13. Clean the seal plate, seal housing, and the motor shaft.



Pump Reassembly/Seal Replacement

1. When installing the replacement shaft seal, use silicone sealant on the metal portion before pressing into the seal plate as shown.
2. Before installing the rotating portion of the seal into the impeller, be sure the impeller is clean. Use a light density soap and water to lubricate the inside of the seal. Press the seal into the impeller with your thumbs and wipe off the ceramic and carbon faces with a clean cloth.
3. Remount the seal plate to the motor.
4. Grease the motor shaft thread and screw impeller onto the motor shaft.
5. Screw in the impeller lock screw (counterclockwise to tighten).
6. Remount the diffuser onto the seal plate. Make sure the plastic pins and holding screw inserts are aligned.
7. Grease the diffuser o-ring and seal plate gasket prior to reassembly.
8. Grease the bolt threads, assemble the motor subassembly to the strainer pot-pump body by using the two (2) through bolts for proper alignment. Do not tighten the through bolts until all six (6) bolts are in place and finger tightened.
9. Reconnect the RS-485 communication cable to the pump.
10. Fill the pump with water.
11. Reinstall the pump lid and plastic clamp, see page 14 for details.
12. Prime the pump, see page 8.

Shaft Seal Replacement

The Shaft Seal consists primarily of two parts, a rotating member and a ceramic seal. The pump requires little or no service other than reasonable care, however, a shaft seal may occasionally become damaged and must be replaced.

Note: The polished and lapped faces of the seal could be damaged if not handled with care.

Drive Assembly Removal and Installation

To remove the IntelliFlo 4 drive and control panel from the motor assembly:

1. Make sure all electrical breakers and switches are turned off before removing the drive.
2. Disconnect the RS-485 communication cable from the pump.
3. Open the control panel cover.
4. Remove the three Phillips head screws securing the drive to the motor assembly as shown.

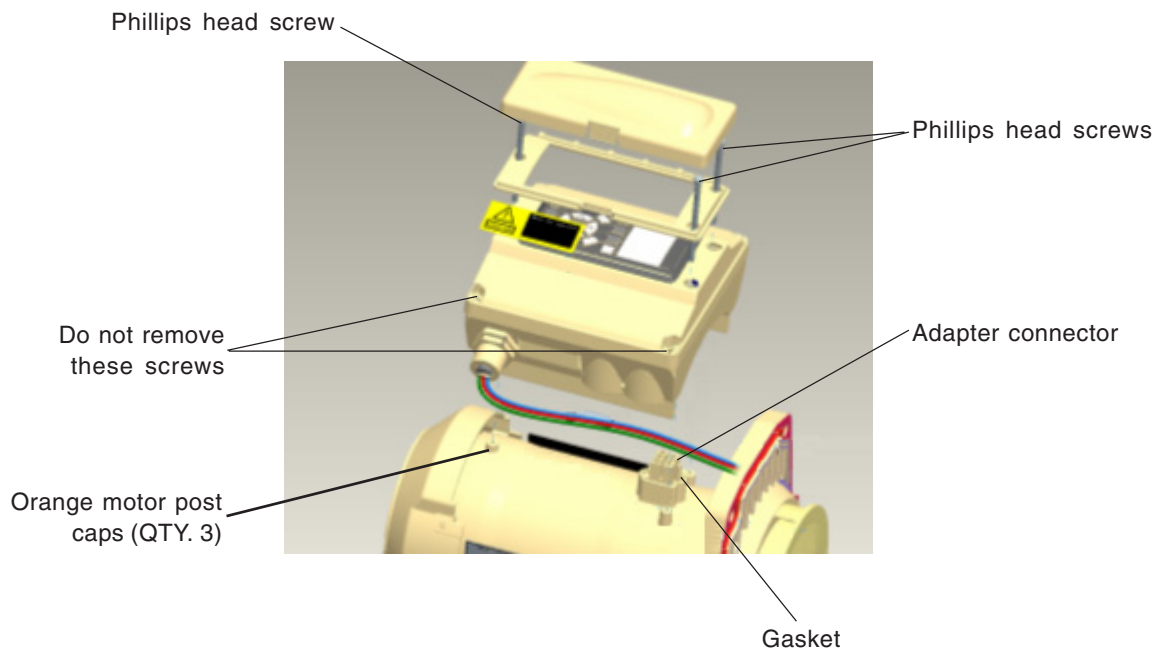
CAUTION: TO AVOID ELECTRICAL HAZARD, DO NOT REMOVE THE FOUR TAMPER PROOF BITS FROM THE MOTOR ASSEMBLY

5. Lift up the drive assembly and remove it from the motor adapter located on top of the motor assembly.

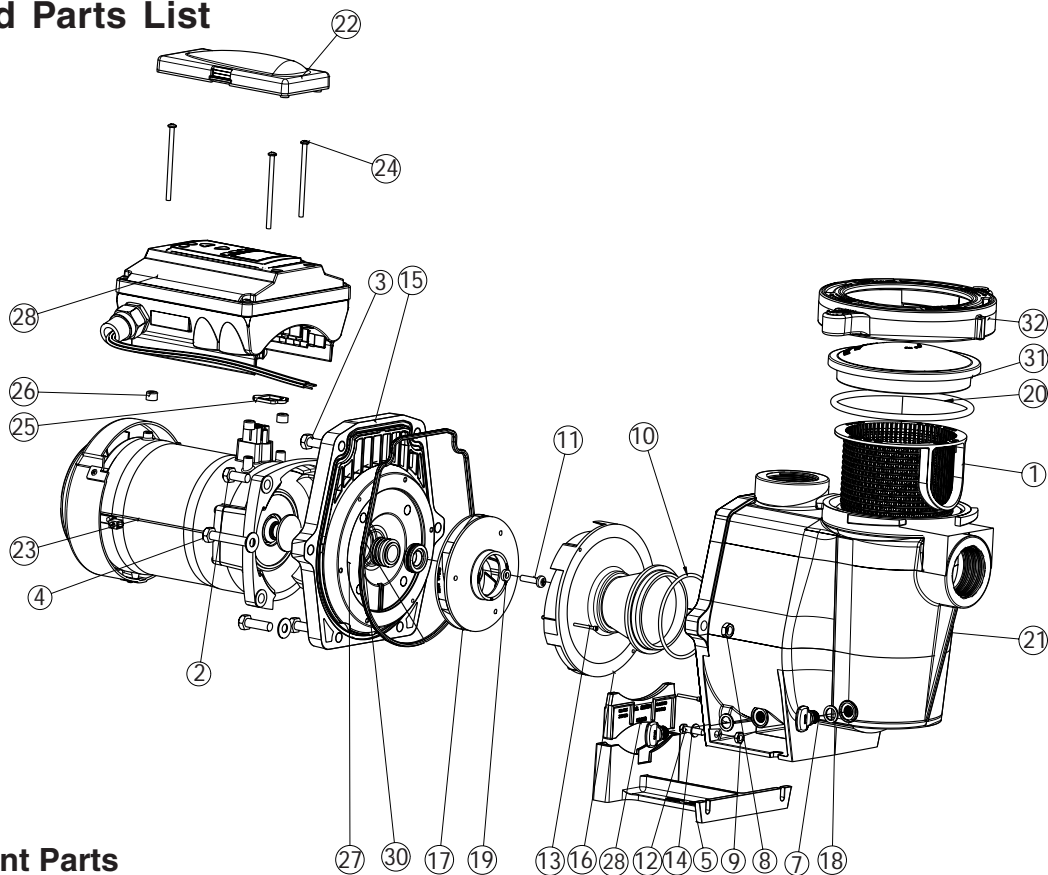
Note: Be careful not to remove the gasket between the drive and motor, it is critical in keeping moisture out of the drive and motor. Replace the gasket if damaged. Do not reassemble with a damaged or missing gasket.

To install the IntelliFlo drive assembly onto the motor assembly:

1. Make sure all electrical breakers and switches are turned off before installing the drive.
2. Be sure that the gasket between the drive and motor is in place. It is critical in keeping moisture out of the drive and motor. Replace the gasket if damaged. Do not reassemble with a damaged or missing gasket.
3. Verify that the three (3) orange motor post caps are in position before placing the drive on the motor assembly.
4. Align the drive assembly with the motor adapter and seat the drive on the motor assembly.
5. Secure and tighten the drive assembly with the three Phillips head screws.



Illustrated Parts List



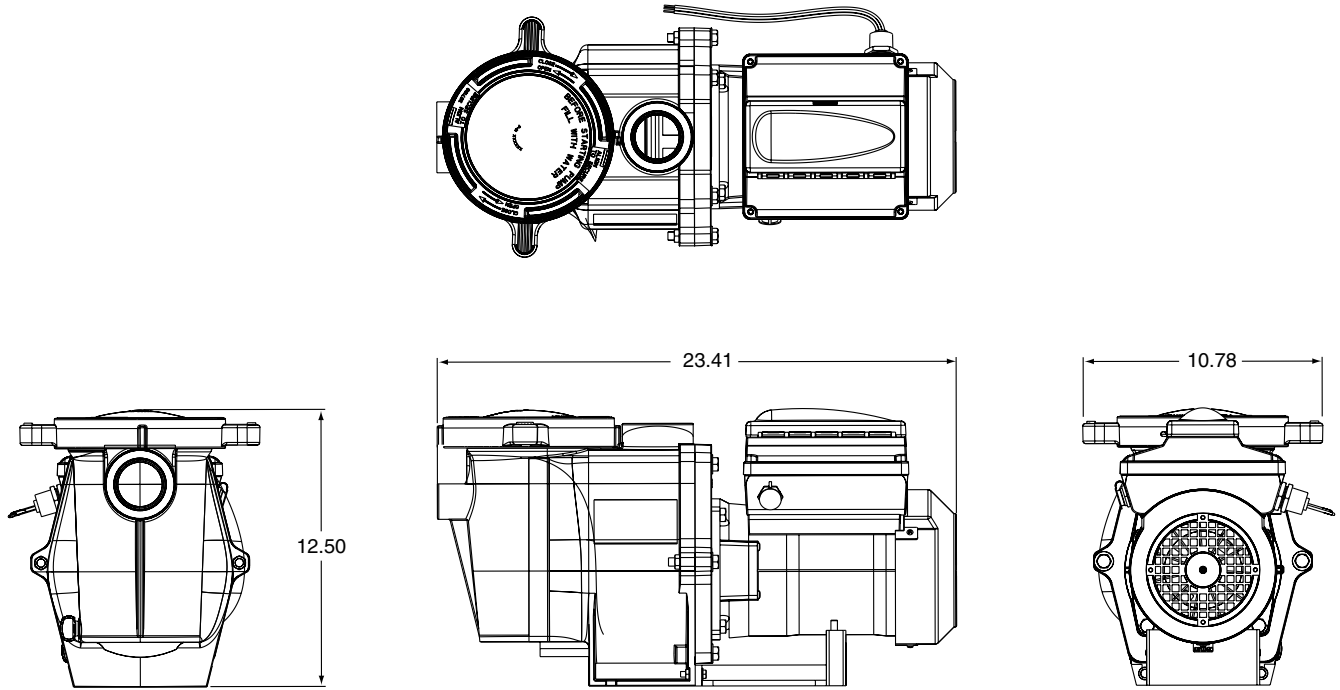
Replacement Parts

Item No.	Part No.	Description
1	070387	BASKET AQ & WF
2	070429	BOLT HEX HD, 2-56x0.875 s/s, (QTY 4)
3	070430	BOLT 3/8 - 16 X 1 1/4 HEX CAP 18-8 s/s, (QTY 4)
4	070431	BOLT 3/8 -16 X 2 HEX CAP 18-8 s/s, (QTY 2)
5	070927	FOOT WF - PUMP MOTOR SUPPORT
6	070929	FOOT INSERT WF PUMP
7	071131	PLUG DRAIN WFE (Almond) (QTY 2)
8	071403	NUT 3/8 - 16 BRASS NICKEL PLATED, (QTY 2)
9	071406	NUT 1/4 - 20 HEX s/s (QTY 2)
10	071444	O-RING 238, 3.484x0.139, Buna-N 70
11	071652	SCREW 1/4-20 X 1 LH PHILLIPS PAN MS 18-8 s/s
12	071657	SCREW 1/4 - 20 X 1 in. HEX CAP 18-8 s/s, (QTY 3)
13	071660	SCREW SET 4-40 X 1-1/8 WFE SCKT CAP 18-8 s/s (QTY 2)
14	072183	WASHER FLAT 1/4 X 5/8 20 GA THICK 18-8 s/s (QTY 2)

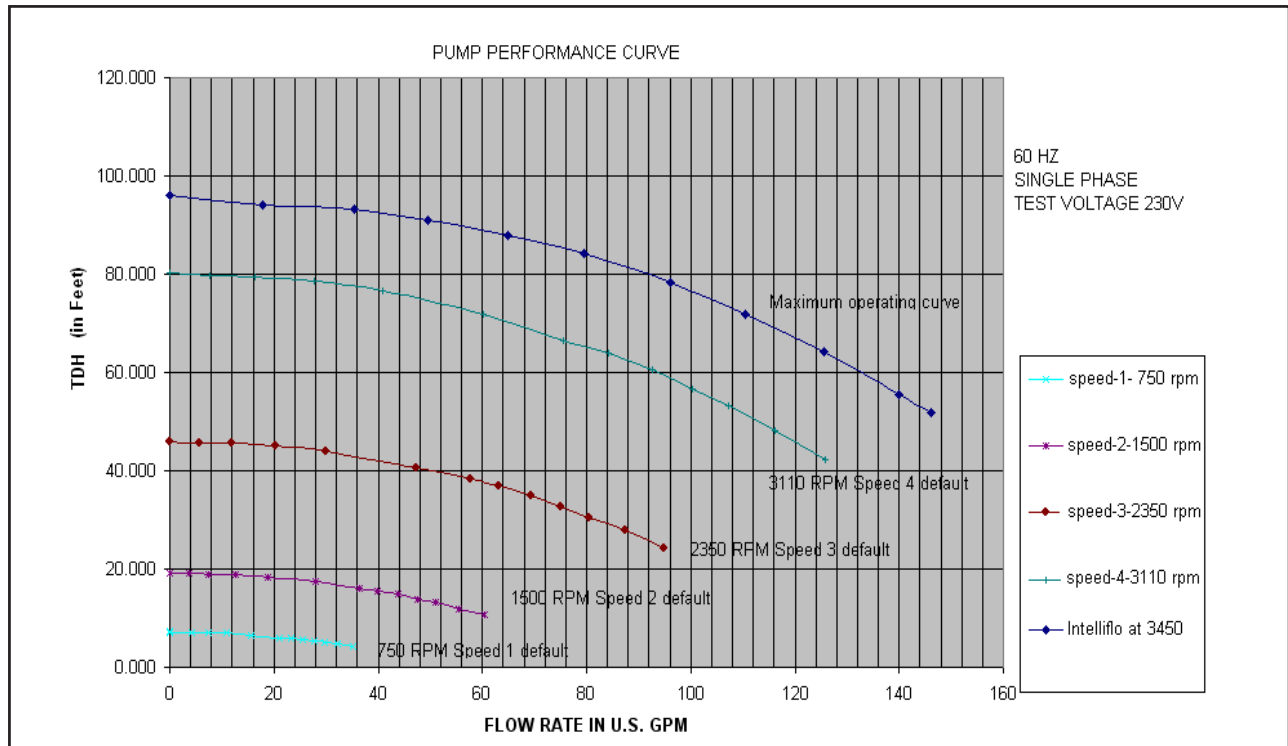
Item No.	Part No.	Description
15	072184	WASHER 3/8 ID X 7/8 OD .05 THICK 18-8 s/s, (QTY 6)
16	072928	DIFFUSER ASSEMBLY WFE 12
17	073131	IMPELLER WFE 12 1000 SER
18	074629	GASKET FLAT WASHER WFE DRAIN, (QTY 2)
19	075713	RUBBER WASHER WFE PUMP
20	350013	O-RING LID CH/WF 2-436
21	350015	VOLUTE CASING WFE (Almond)
22*	350082	CONTROL COVER ASSEMBLY
23*	350105	VFD MOTOR 3.2KW PMSM
24	350107	SCREW 10-24 X 3 1/4 in. PH MS 18-8 s/s, (QTY 3)
25	350108	INTELLIFLO DRIVE GASKET
26	350142	SPACER CAP (QTY 3)
27	350201	SEAL PLATE KIT, WFE ALMOND
28*	350521	INTELLIFLO 4 SPEED DRIVE
30	357102	GASKET SANTOPRENE MOLDED
31	357151	LID SEE THRU WF
32	357199	CLAMP CAM & RAMP WF (Almond)

Note: (*) Not serviceable parts.

IntelliFlo Pump Dimensions



Intelliflo Flow and Power vs Flow Pump Curve



IntelliFlo 4 Electrical Specifications

Circuit Protection: Two-pole 20 AMP device at the Electrical Panel.

Input: 230 VAC, 50/60 Hz, 3200 Watts

Blank Page

Section 5

Troubleshooting

⚠ CAUTION: Before installing this product, read and follow all warning notices and instructions on page ii.

Warning and Alarm conditions

The IntelliFlo 4 alarms and warnings are indicated by flashing LEDs on the control panel. For example, if a “Drive Temperature” warning occurs, the LED will blink two times, then Off, then blink two times. This sequence is repeated until the condition is cleared.

- **Warning condition:** If a warning condition occurs the pump will continue to run but at a reduced speed. The Green LED executes a sequence of blinks to indicate which alarm or warning has occurred.
- **Alarm condition:** If an alarm condition occurs the pump will drive stop running. The red LED flashes continuously to indicate the presence of an alarm. The alarm LEDs will reset when the condition clears.

Alarm and warning LED sequence

Number of time the LED will blink	Alarm	Description	Action
2	Drive Temperature Warning	Excessive drive temperature	<ol style="list-style-type: none"> 1. Ensure the motor fan has adequate area for ventilation. 2. Stop motor and allow to cool. 3. Run motor at a higher speed to improve cooling air flow.
5	Unknown alarm	Electron failure	<ol style="list-style-type: none"> 1. Cycle power to reset pump. 2. Replace drive.
6	Drive Temperature Alarm	Excessive drive temperature	<ol style="list-style-type: none"> 1. Ensure the motor fan has adequate area for ventilation. 2. Run motor at a higher speed to improve cooling air flow.
7	Power Out Alarm	Supply voltage low	Ensure proper supply voltage.
8	Over current Alarm	Excessive drive current	<ol style="list-style-type: none"> 1. Examine fluid/mechanical system for source of overload. 2. De-energize motor and determine if motor spins freely. 3. Replace drive.
9	Over voltage Alarm	Excessive voltage on drive buss	<ol style="list-style-type: none"> 1. Rapid switching between speeds can cause excessive voltages on the drive's DC buss. 2. Ensure proper supply voltage.

General IntelliFlo 4 Troubleshooting Problems

Use the following general troubleshooting information to resolve possible problems with your IntelliFlo 4 pump.

Note: Switch the main power off to the pump before attempting service or repair.

Problem	Possible Cause	Corrective Action
Pump failure. Refer to Alarm and warning LED sequence on page 25.	Pump will not prime - Air leak in suction.	Check suction piping and valve glands on any suction gate valves. Secure lid on pump strainer pot and make sure lid gasket is in place. Check water level to make sure skimmer is not drawing air.
	Pump will not prime - Not enough water.	Ensure that the suction lines, pump, strainer, and pump volute are full of water.
	Pump strainer clogged.	Clean pump strainer pot.
	Pump strainer gasket defective.	Replace gasket.
Reduced capacity and / or head. Refer to Alarm and warning LED sequence on page 25.	Air pocket or leaks in suction line.	Check suction piping and valve glands on any suction gate valves.
	Clogged impeller.	Turn off electrical power to the pump. Remove the (6) bolts that holds the volute to the seal plate. Slide the motor and seal plate away from the volute. Clean debris from impeller. If debris cannot be removed, complete the following steps. 1. Remove diffuser and o-ring. 2. Remove left hand thread anti-spin bolt and o-ring. 3. Remove, clean and reinstall impeller. 4. Reinstall anti-spin bolt and o-ring. Reinstall diffuser, and o-ring. Reinstall motor and seal plate into volute. Reinstall (6) bolts around seal plate and volute and tighten securely.
	Pump strainer clogged.	Clean suction trap.

Problems and Corrective Action (Continued)

Problem	Possible Cause	Corrective Action
Circuit breaker trips repeatedly. Refer to Alarm and warning LED sequence on page 25.	Excessive motor current. GFCI fault.	Breaker must be of adequate capacity. For GFCI breaker, test according to GFCI manufacturer's instructions. Be sure no other lights and appliances are on circuit. Voltage too high or too low.
Electrical problem. Refer to Alarm and warning LED sequence on page 25.	Pump may be too hot.	Check line voltage; if less than 90% or more than 110% of rated voltage consult a licensed electrician. Increase ventilation. Reduce ambient temperature. Tighten any loose wiring connections. Motor internal terminal overload protector is open. Motor runs too hot. Turn power to motor off. Check for proper voltage. Check for proper impeller or impeller rubbing.
Mechanical Troubles and Noise.	The pump motor is running but with loud noise. Cavitation.	If suction and discharge piping are not adequately supported, pump assembly will be strained. Do not mount pump on a wooden platform! Securely mount on concrete platform for quietest performance. Foreign matter (gravel, metal, etc.) in pump impeller. Disassemble pump, clean impeller, follow pump service instructions for reassembly. Improve suction conditions. Increase pipe size. Decrease number of fittings. Increase discharge pressure.
IntelliFlo does not respond to EasyTouch or IntelliTouch commands	Improper EasyTouch/IntelliTouch/IntelliFlo setup. Communication network inoperative.	1. Ensure that the communication cable is connected at both ends. 2. Check that the IntelliFlo local address matches with the address used in the IntelliTouch. 3. Check that the IntelliFlo has been assigned a circuit name on the EasyTouch./IntelliTouch system 4. Ensure that the IntelliFlo display says ""DISPLAY NOT ACTIVE"". <p>A defective device on the network can inhibit the proper operation of other network device. Devices should be disconnected sequentially until the network starts working.</p>

Notes



Free Manuals Download Website

<http://myh66.com>

<http://usermanuals.us>

<http://www.somanuals.com>

<http://www.4manuals.cc>

<http://www.manual-lib.com>

<http://www.404manual.com>

<http://www.luxmanual.com>

<http://aubethermostatmanual.com>

Golf course search by state

<http://golfingnear.com>

Email search by domain

<http://emailbydomain.com>

Auto manuals search

<http://auto.somanuals.com>

TV manuals search

<http://tv.somanuals.com>