

LEGEND® PLATINUM II

Pressure Side Pool Cleaner



Installation Guide

IMPORTANT SAFETY INSTRUCTIONS
READ AND FOLLOW ALL INSTRUCTIONS
SAVE THESE INSTRUCTIONS

Customer Service

If you have questions about ordering Pentair replacement parts, and pool products, please use the following contact information:

Customer Service, USA (8 A.M. to 5 P.M. — Eastern and Pacific Times)

Phone: (800) 831-7133

Fax: (800) 284-4151

Technical Support, USA

Sanford, North Carolina, USA (8 A.M. to 5 P.M. — Eastern Time)

Phone: (919) 566-8000

Fax: (919) 566-8920

Moorpark, California, USA (8 A.M. to 5 P.M. — Pacific Time)

Phone: (805) 553-5000 (Ext. 5591)

Fax: (805) 553-5515

Web site

visit www.pentairpool.com and www.staritepool.com to find information about our products

Pentair Water Pool and Spa Europe

Industriepark Wolfstee

Toekomstlaan 30

B-2200 Herentals

BELGIUM

Phone : +32 25 99 11

Fax : +32 25 99 73

© 2006 Pentair Water Pool and Spa, Inc. All rights reserved.

This document is subject to change without notice.

1620 Hawkins Ave., Sanford, NC 27330 • (919) 566-8000

10951 West Los Angeles Ave., Moorpark, CA 93021 • (805) 553-5000

Trademarks and Disclaimers. The *Pentair Water Pool and Spa logo* and the *Legend Platinum II logo* are registered trademarks of Pentair Water Pool and Spa, Inc. Other trademarks and trade names may be used in this document to refer to either the entities claiming the marks and names or their products. Pentair Water Pool and Spa, Inc. disclaims any proprietary interest in trademarks and trade names other than its own.

P/N 370260 Rev. A 7/31/06

LEGEND[®] PLATINUM II

LX 2000PMEU

Important Information:

The Legend[®] Platinum II automatic pool cleaner comes ready to connect into a female threaded 1-1/2" dedicated return line. Other connections are possible, but they require additional fittings. For more information, please contact our Technical Support Department at 1-800-831-7133. Also, if you have a chlorinator, solar system or other air inducing equipment, please contact our Technical Support Department before you install the Legend[®] Platinum II.

The following are important facts to remember before installing and operating the Legend[®] Platinum II.

1. Always disconnect the Legend[®] Platinum II from the pool wall when cleaning or back washing the pool filter.
2. After cleaning or back washing, let the filtration system run for at least five minutes before reconnecting the Legend[®] Platinum II.
3. New plumbing lines should be flushed out before installing the Legend[®] Platinum II.
4. The Legend[®] Platinum II should not be used to remove plaster dust in new pools.
5. Always remove the Legend[®] Platinum II before swimmers enter the pool.
6. Always handle the Legend[®] Platinum II with care. Do not let children or pets play with the unit: it is not a toy.
7. Always pick up the Legend[®] Platinum II by the Vacuum Tube especially when lifting the unit out of the water.
8. Unless checking the wheel RPM, do not handle the Legend[®] Platinum II while it is operating.
9. Always remove the Legend[®] Platinum II from the pool before chemical shock treatments. As a rule, any pool water that is unsafe for swimming is unsafe for the Legend[®] Platinum II.
10. Carefully cut the feed hose following the instructions on [Page 3](#).

By following these simple guidelines, you can help protect against injury and prolong the life of your Legend[®] Platinum II.

Before the Legend[®] Platinum II is installed, please take a moment to record the serial number. This number is located on the back of the Legend[®] Platinum II near the rear jet. You will be asked this number when you contact our Technical Support Department.

SERIAL # _____

TABLE OF CONTENTS

I. Introduction	1
A. Thank You for Choosing the Legend® Platinum II	1
B. What to Expect from the Legend® Platinum II	1
II. Installation Instructions	2
A. Legend® Platinum II Components	2
B. Pool Connections	2
C. Installing the Twist Lock Pressure Relief Valve (Wall Fitting)	2
D. Pressure Testing Instructions	3
E. Cutting the Feed Hose	3
F. Hooking Up the Legend® Platinum II	4
G. Checking Operation	4
H. Fine Tuning the Legend® Platinum II	5
1. Thrust Jet Adjustment	5
2. Sweep Hose Adjustment	5
3. Checking Wheel RPM	5
III. Operation & Periodic Maintenance	7
A. Connecting/Disconnecting the Legend® Platinum II	7
B. Turning the Legend® Platinum II On/Off	7
C. Cleaning the Sand & Silt Bag	7
D. Periodic Maintenance	7
1. Wall Fitting Screen	7
2. Tires & Bearings	8
3. Roller Rings	8
4. Debris Bags	8
5. Sweep Hose	8
6. Debris Valve	8
E. Back Washing the Pool Filter	8
F. Storage and Winterizing	9
G. Accessories	9
1. Leaf Bag	9
2. Step Adapter	9
IV. Troubleshooting and Performance Tips	10-12
Legend® Platinum II Parts List	13-14
Legend® Platinum II Exploded View	15

I. Introduction

A. Thank You for Choosing the Legend® Platinum II Pool Cleaner

Congratulations on the purchase of your new automatic pool cleaner. The Legend® Platinum II is designed to give you years of dependable and efficient service. With the Legend® Platinum II, you and your family will spend more time relaxing and enjoying your pool and less time cleaning it.

The Legend® Platinum II has been designed and built with time proven features and patented innovations to create an automatic pool cleaner that will give you years of dependable service. The Legend® Platinum II is built with pride in the U.S.A., by people who care about the product using state of the art materials and backed by a limited warranty that protects against defects in parts and construction.

Like any mechanical device, the Legend® Platinum II requires some preventative maintenance and the replacement of certain working parts. We recommend that you have your Legend® Platinum II checked annually. For best results have your Legend® Platinum II installed by a qualified swimming pool professional.

For pool owners with plumbing and mechanical experience, installation instructions are included in this manual.

Please put safety first! Be sure to take your Legend® Platinum II out of your pool and store it carefully in a shaded area before anyone enters the pool.

B. What to Expect from the Legend® Platinum II

When operating correctly, the Legend® Platinum II will travel randomly throughout the pool, vacuuming and sweeping the bottom. The climbing ability of the Legend® Platinum II is dependent on the pools shape. It will climb better in pools without sharp angles or curves in the transition from the pool floor to the pool wall.

The Legend® Platinum II comes equipped with a Wall Fitting (Part# LXW22) that features a Twist Lock Automatic Pressure Relief Valve. If the Legend® Platinum II is receiving too much water pressure to the unit, the relief valve will automatically reduce water pressure.

Approximately every three minutes and 30 seconds the Legend® Platinum II will go into a back up mode. At this time the Back Up Valve will pull the Legend® Platinum II away from problem areas.

Occasionally some vinyl pools have steps installed so the unit may not climb and remains stationary until the Back Up Valve pulls the unit away from the steps. When this occurs you need to use the optional Step Adapter (Part# EU13) to prevent wearing the vinyl liner.

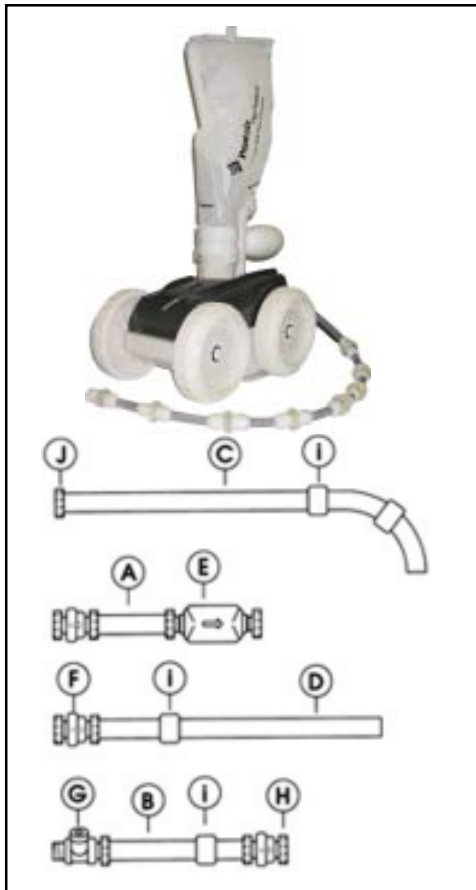
The Sweep Hose operates in a gentle sweeping motion to prevent debris from becoming trapped in hard to reach corners of the pool.

II. Installation Instructions

A. Legend® Platinum II Components

The Legend® Platinum II Box Contains:

1. Cleaner Head
2. Sand & Silt Bag
3. Sweep Hose
4. Complete Feed Hose
 - a. 1 - 18 in. hose
 - b. 1 - 2 ft. hose
 - c. 1 - 4½ ft. hose
 - d. 3 - 6 ft. hoses
 - e. 1- Back-Up Valve
 - f. 4 - Swivels
 - g. 1 - Wall Fitting
 - h. 12 - Mender Nuts
 - i. 7 - Hose Floats
 - j. 1 - Pressure Tester



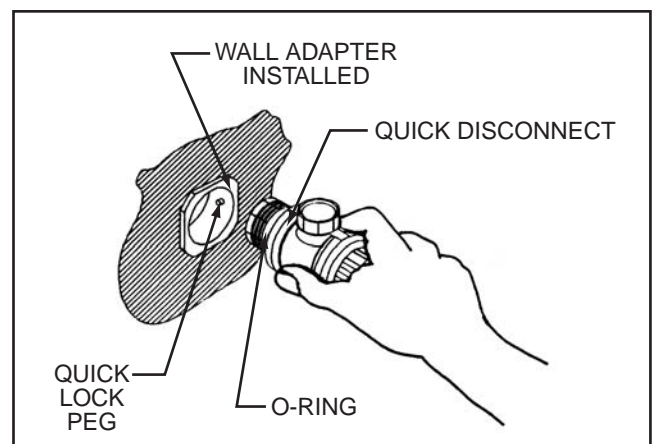
B. Pool Connections

The Legend® Platinum II comes equipped to connect to a female threaded 1-1/2" dedicated return line. An adjustable gate valve with a pressure gauge should be installed to allow a regulated amount of water flow from your pool system to the Legend® Platinum II. For more information contact our Technical Support Department at 1-800-831-7133.

Also, if the pool doesn't have a dedicated cleaner line please contact our Technical Support Department also.

C. Installing the Twist Lock Pressure Relief Valve (Wall Fitting)

1. Take out any existing pool cleaner and/or wall fitting.
2. Turn on the filtration pump and flush out the plumbing line.
3. Turn off filter pump.
4. Remove the Wall Adapter from the Wall Fitting and screw Adapter by hand into the dedicated line. Turn until tight.



5. Take the Wall Fitting and Twist Lock the Wall Fitting into the Wall Adapter 1/4 turn; to a snug fit. Once the Wall Adapter is secure, you can now twist lock and unlock to remove Wall Fitting with ease from the Wall Adapter.

D. Pressure Testing Instructions

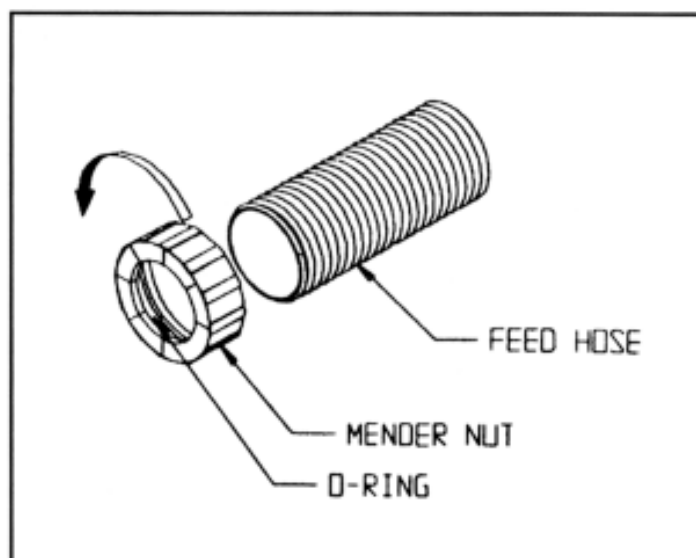
1. Make sure the pool filter is clean before conducting this pressure test.
2. Twist lock the Wall Fitting with Feeder Hose into the Wall Adapter.
3. Have someone hold the Pressure Tester end of the Feed Hose beneath the water while you turn on the pool pump. Continue holding the hose under the water and cover the large hole of the pressure tester.
4. Reach down and feel around the Pressure Relief Valve on the Wall Fitting to see if the Relief Valve is releasing any water pressure. If valve is releasing water pressure go on to Section E. *If it is not*, the pool filtration pump may not have sufficient amount of water pressure to operate the Legend® Platinum II.
2. With the pool pump on, hold the free end of the Feeder Hose underwater. Gently pull the hose to the farthest end of the corner of the pool, *do not stretch the hose*. (The Legend® Platinum II usually will not climb the top step, so you do not need to include it in the measurement.) If the hose just reaches the farthest point of your pool, and without any excess hose hanging over the deck, then go to Section F.
3. If the Feeder Hose extends past the farthest end of the pool, mark the excess hose hanging over the deck, turn off your pool pump, and cut first 6 ft. section of hose, closest to the wall, the length of excess.
4. **IMPORTANT:** *Please double check the hose length* to insure you will be getting the maximum performance from your pool cleaner. The hose lengthens when under pressure (when your pump is on).

**BEFORE YOU GO TO THE NEXT STEP,
CONTACT OUR TECHNICAL SUPPORT
DEPARTMENT AT: 1-800-831-7133**

E. Cutting the Feed Hose (See Hose Diagram on Page 11)

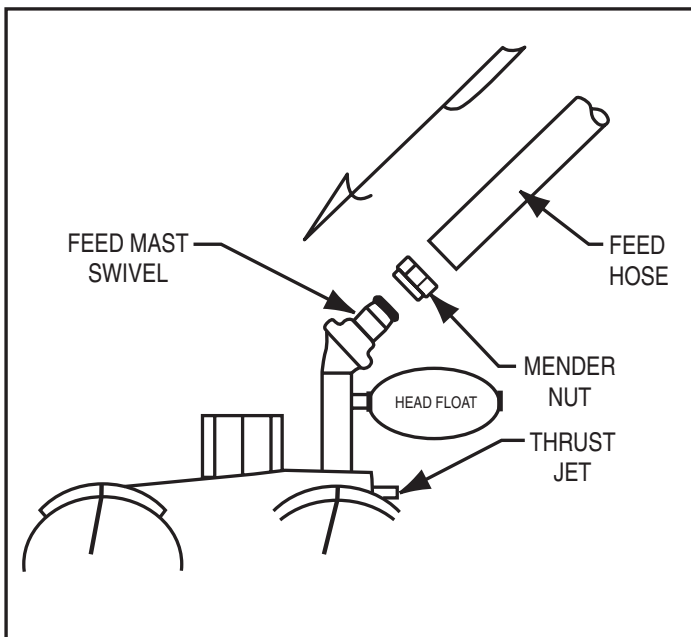
The Hose assembly comes in 6 sections covering approximately 30 ft. of the pool, which provides ample hose for most residential pools. For larger or smaller pools see Page 12 for instructions for *Adding or Deleting Additional Feeder Hose*.

1. Take Feeder Hose out of box and lay the hose straight in the sun for one day if possible, (this will take any memory out of the hose due to being coiled up in the box).



F. Hooking up the Legend® Platinum II

1. Remove the Pressure Tester from the free end of the Feeder Hose by unscrewing the Hose Nut. Left hand thread (reverse), (see illustration, previous page).
2. Place mender nut on Legend® Platinum II Swivel Mast. Connect the open end of the Feed Hose to the top of the Legend® Platinum II Swivel Mast and secure with the mender nut. The arch of the Feed Hose should align in the same direction as the Swivel Mast, there should be no twist in the Feed Hose after connection. (See illustration below.)



3. Carefully twist lock the Sand & Silt debris bag onto the top of the Legend® Platinum II Vacuum Tube. Make sure there is a Rubber Debris Valve attached to the top of the Vacuum Tube before locking on the Sand & Silt bag, (this valve is similar to a check valve to help keep debris inside the bag when the water pressure is off).

4. Gently place the Legend® Platinum II in the pool. Turn on the pool filtration pump.
5. Check to make sure the wheel RPM is between 25-32. See [page 5](#) for instructions on wheel RPM.

G. Checking Operation

When operating correctly, the Legend® Platinum II will travel in a random pattern throughout the pool, vacuuming and sweeping the bottom. The climbing ability of the Legend® Platinum II is dependent on the pools structure and water flow coming into the pool. It will perform more efficiently in pools without sharp angles or curves in the transition from the floor of the pool to the wall.

The Legend® Platinum II comes with a Twist Lock Pressure Relief Valve (Wall Fitting). If the Legend® Platinum II is receiving too much water pressure, the Pressure Relief Valve in the Wall Fitting will release the excess water pressure.

Approximately every three minutes and 30 seconds the Legend® Platinum II will go into a back-up mode. The Back-Up Valve cycle time, while in the back-up mode, is approximately 30 seconds, pulling the Legend® Platinum II from problem areas.

The Sweep Hose operates in a gentle sweeping motion to prevent debris from becoming trapped in hard to reach corners of the pools.

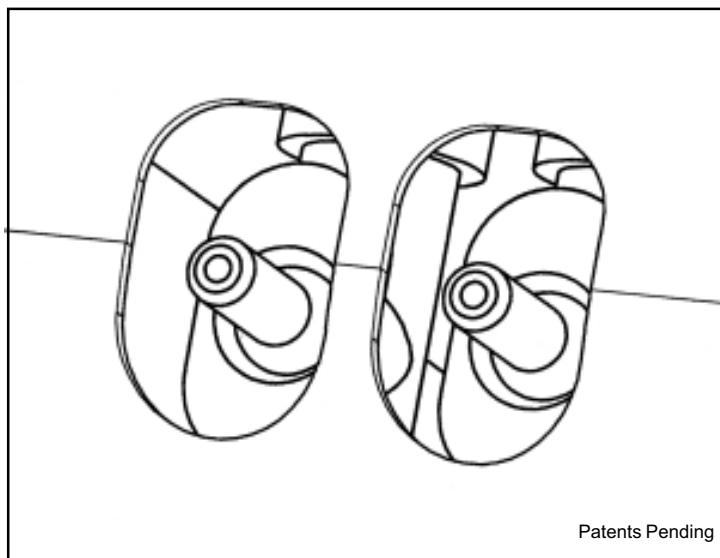
If the Legend® Platinum II does not travel to all areas of the pool, turn off the pool filtration pump and make the necessary adjustments from the instructions on the next page.

H. Fine Tuning the Legend® Platinum II

1. Thrust Jet Adjustment

There are two Thrust Jets located in the back of the Legend® Platinum II. These Thrust Jets alter the direction of the cleaner. The factory standard position for the jets is set slightly to the right. (See illustration below.)

In certain pools, altering the thrust jets can increase performance of the Legend® Platinum II. Moving the thrust jets up can increase climbing, and moving them down can decrease climbing. Moving the thrust jets to the left pushes the unit left and moving them to the right pushes the unit right.

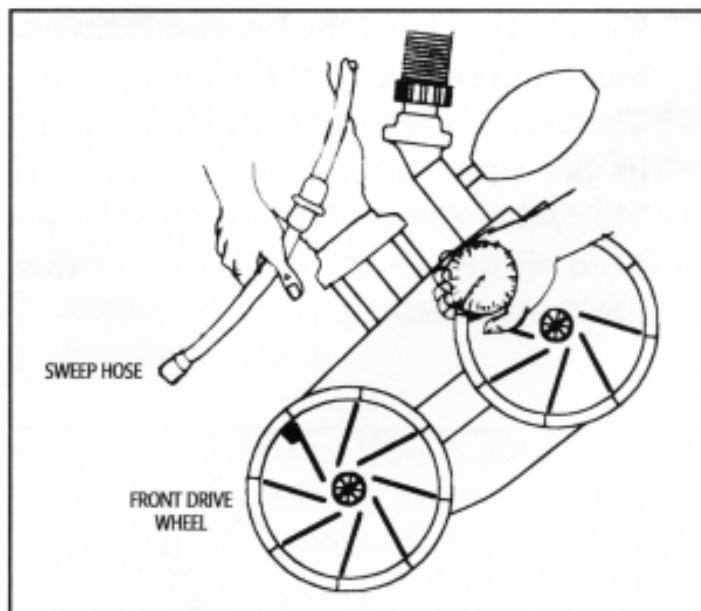


2. Sweep Hose Adjustment

The Sweep Hose operates in a gentle sweeping motion. To increase or decrease the motion of the Sweep Hose, adjust the screw located on the Swivel Mast Barb below the Ballast Float. Turning the screw clockwise will decrease the motion and counter clockwise to increase the motion of the Sweep Hose.

3. Checking Wheel RPM

To determine whether the Legend® Platinum II is receiving the proper water pressure, turn off the pool pump, and carefully remove the Legend® Platinum II from the pool.



Mark the front drive Tire/Wheel with a marker, or use the Logo located on the side of tire as a marker to count the rotations of the wheel per minute.

Have someone turn on pool pump while you place the Legend® Platinum II in the pool just beneath the water surface. (Be sure to hold onto the Sweep Hose to avoid getting wet.)

Count the rotations of the marked wheel for exactly one minute. (Be sure the Back-Up Valve isn't cycling at this time.) The rotations will give you the Revolutions Per Minute, (RPM).

For proper performance, the Legend® Platinum II operates between 25-32 RPM. If the RPM is below 25 then closely follow the instructions on the next page.

3. Checking RPM - (cont.)

1. Clean the Screen located inside the Wall Fitting. A small amount of debris will significantly affect the performance of the cleaner.
2. Clean the skimmer basket, pump basket and pool filter.
3. If an adjustable Gate (3-way) Valve has been installed, adjust the valve to increase water flow to the Legend® Platinum II.
4. If the RPM is more than 32, at the Wall Fitting, unscrew the Pressure Relief Valve slowly until the RPM falls between 25-32. Again, if an adjustable gate (3-way) valve has been installed, adjust the gate valve to decrease water flow to the Legend® Platinum II.
5. If you continue to have problems with either the water flow or obtaining the specified water pressure to operate the Legend® Platinum II, call your Professional Pool Dealer.



**If you have any additional questions, please contact Pentair Water Pool and Spa, Inc., Technical Support Department at:
1-800-831-7133 (USA),
Monday through Friday.**

III. Operation/Periodic Maintenance

A. Connecting/Disconnecting the Legend® Platinum II

Turn off pool pump. Then take the Wall Fitting and twist lock the Wall Fitting clockwise into the Wall Adapter. To disconnect the Legend® Platinum II, unlock and twist counter clockwise. The Wall Adapter should remain in the pool wall.

B. Turning On/Off the Legend® Platinum II

The Legend® Platinum II operates off a filtration pump coming from the equipment pad, and can be turned on or off by merely turning on/off your pump time clock.

C. Cleaning the Sand & Silt Bag

Carefully unlock the debris bag from the vacuum tube and open the Velcro® Brand fastener at the top of debris bag and dump debris.

If you have a lot of debris in your pool, especially after a storm, you can run your Legend® Platinum II in two shorter cycles per day and empty the debris bag between cycles.

Reconnect the debris bag to the vacuum tube. Do NOT over turn.

If the Velcro® Brand fastener on top of the debris bag does not stay secure, rinse well, let it dry and clean with a stiff brush.

A Helpful Hint: It is easier to empty the debris bag when it is dry. A second bag may be used while the full debris bag is drying.

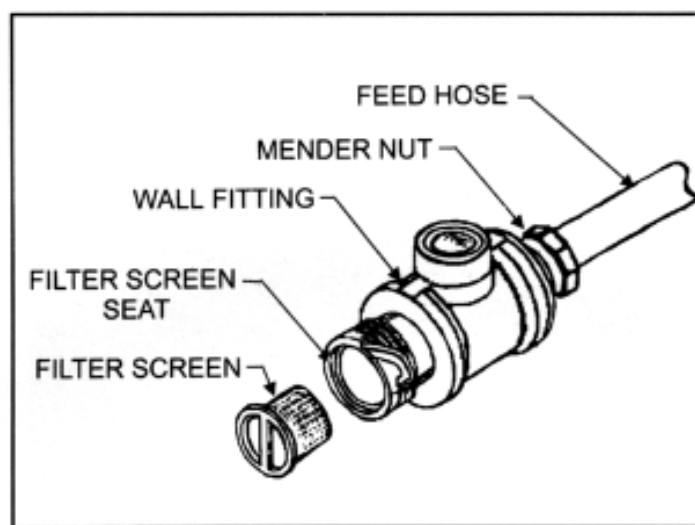
It's best to empty the debris bag when it becomes half full. The Legend® Platinum II will have better performance if the bag is not overloaded.

D. Periodic Maintenance

The following parts are wear items that should be checked, maintained or replaced as needed. Wear items are considered any working or moving part(s) being worn due to the use of the cleaner. **Wear items are not covered under warranty.**

1. Wall Fitting Screen

Inside the wall fitting is a filter screen that acts as a secondary filter. This screen is to keep debris that is passed by the pool filter out of the Legend® Platinum II. *Running the Cleaner without the filter screen can damage the Legend® Platinum II and will void the warranty.*



A continuous plugged or dirty screen is a sign of problems in your pool filtration system and you need to contact your local pool professional.

To clean the filter screen, pull the screen out from inside the Wall Fitting and rinse thoroughly and push back inside the wall fitting.

Whenever cleaning, back washing or repairing filter, remove the wall fitting and flush out the dedicated line before using the Legend® Platinum II.

III. Operation/Periodic Maintenance - (cont.)

2. Tires & Bearings

The tires are designed to protect the bottom of your pool and provide better traction. You need to rotate the tires once per year.

The Wheel Bearings are warranted free of defects when shipped from Pentair Water Pool and Spa, Inc., and are considered a wear item. A good bearing will spin freely.

3. Roller Rings

Your Sweep Hose has a series of Roller Rings to protect the Sweep Hose. Replace the rings as needed. You can rotate the Roller Rings to prevent flat spots.

4. Debris Bags

Fine Mesh Sand & Silt Bag

The Legend® Platinum II comes with a Sand & Silt bag for general use in all pools. We do not recommend using the fine mesh bag to pick up leaves and twigs or other large debris for they have sharp points and edges that can poke holes and eventually rip the bag.

Optional Leaf Bag

The leaf bag is a larger mesh bag made to pick up heavier debris such as leaves, twigs, acorns, etc. This bag can be helpful especially after a storm.

A Helpful Hint: To prolong the life of bags, remove cleaner from pool before adding chemicals.

5. Sweep Hose

The Sweep Hose is provided to help keep the bottom and sides of your pool clean. The Sweep Hose is warranted free of defects when shipped from the factory, and is considered a wear item.

6. Debris Valve

This valve is located under the Debris Bag, it is designed to keep the debris inside the bag. It functions like a check valve to allow the debris to only enter through the bag one way. Replacement is needed when valve begins to stiffen.

E. Back Washing the Pool Filter

Always disconnect the Legend® Platinum II from the pool wall before cleaning or back washing the pool filter. After cleaning or back washing, let the pool filtration system run for a minimum of five minutes to flush out the return lines before reconnecting the Legend® Platinum II.

III. Operation/Periodic Maintenance - (cont.)

F. Storage and Winterizing

Never leave or store the Legend® Platinum II in direct sunlight. When storing the Legend® Platinum II for the winter, be sure to drain all the water from it. This is important since freeze damage is not covered under the warranty. Also, remove the Wall Fitting.

G. Accessories

1. Leaf Bag

(See previous page)

2. Step Adapter

This adapter is designed for vinyl liner pools that have steps installed in such a way that the unit may not climb and remains stationary until the Back-up Valve comes on. The adapter acts as a bumper to turn the cleaner away from the steps and continue on cleaning your pool.

It's easy to install: Simply slide the Step Adapter into one of the slots (either side) located in the front of your Legend® Platinum II and adjust to the appropriate height.

(Part # for Step Adapter is EU13)



IV. TROUBLESHOOTING AND PERFORMANCE TIPS

To insure the best performance from your cleaner, follow the troubleshooting guide listed below.

A. PROBLEMS & SOLUTIONS

Problem: Legend® Platinum II doesn't move or moves sluggishly or hangs up on steps.

Solution:

1. Be sure filter and filter pump are on and working properly. (You may need to clean your pool filter system.)
2. Check to see if the skimmer and basket are clean.
3. Check the Wall Fitting screen for debris and rinse clean.
4. Check wheel RPM, (see [pages 5-6](#)).
5. Determine if the Back-Up Valve is cycling. (Hold the valve out of the water and the jet should come on for approx. 30 seconds and shut off for approx. 3 minutes and 30 seconds.)
6. Check all the Hose connections and Swivels for leaks that can cause loss of water pressure.
7. Check debris that may be jammed in the gear teeth on one of the front drive wheels. Gently rotate the front wheels backward to dislodge debris.

Problem: Legend® Platinum II flies around pool.

Solution:

1. Check wheel RPM, and if more than 32 RPM make adjustment at Wall Fitting by turning the Pressure Relief Valve slowly until RPM falls between 25-32; or if an adjustable gate valve has been installed, adjust the valve to decrease water flow.
2. Air in system, see a Pool Professional.

Problem: Legend® Platinum II will not back up.

Solution:

1. Determine if the Back-Up Valve is cycling. (Hold the valve out of the water and the jet should come on for approx. 30 seconds, and shut off for approx. 3 minutes and 30 seconds.)
2. Check the wheel RPM, (see [pages 5-6](#)).
3. Empty the debris bag if full or half full.

Problem: Legend® Platinum II will not climb.

Solution:

1. Even if your pool doesn't show algae you still need to brush the sides of the pool wall.
2. Check the wheel RPM, (see [pages 5-6](#)).
3. Reposition the Thrust Jet. Loosen the two screws to adjust the Thrust Jet.

A reminder: The climbing ability of the Legend® Platinum II is dependent on the pool's shape and available water pressure. It will climb better in pools without sharp angles or curves in the transition from the pool floor to the pool wall.

Problem: Hoses tangling.

Solution:

1. Check the length of the Feed Hose, they may be too long. (See [pages 3-4](#).)
2. Check to see that the Feed Hose is floating on top of surface. Check hose floats for even spacing.
3. Twist the Hose Swivels to see if they spin freely and replace any that will not.
4. Lay out the Feed Hose straight in the full sun to remove any memory.

IV. TROUBLESHOOTING AND PERFORMANCE TIPS

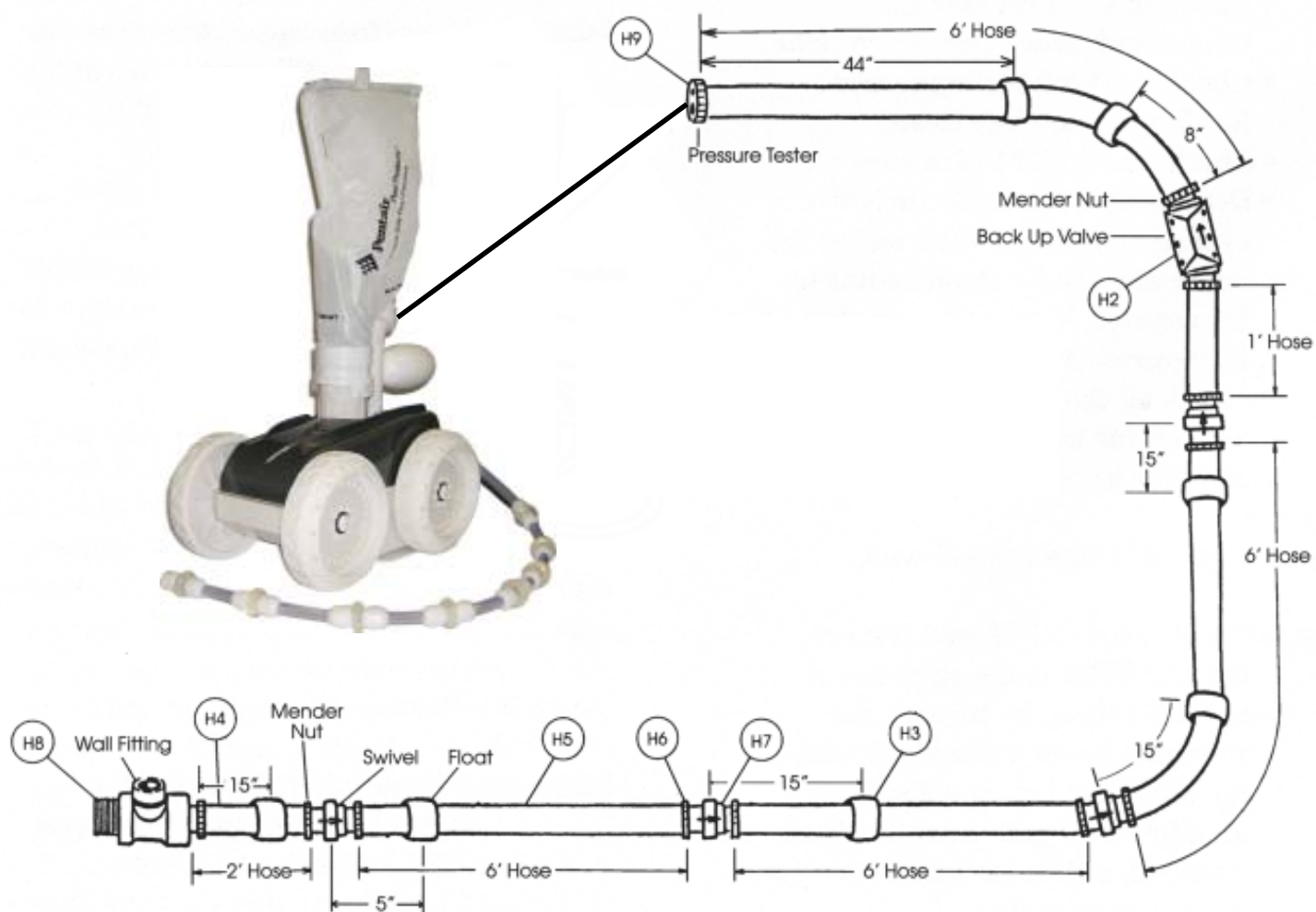
A. PROBLEMS & SOLUTIONS - (cont.)

Problem: Sweep Hose is sucked into the cleaner.

Solution: 1. Adjust the Sweep Hose using the Adjustment Screw located on the bottom of the Swivel Mast. Turn Adjustment Screw clockwise until the Sweep Hose is in a gentle sweeping motion.

Problem: Sweep Hose breaks surface and sprays nearby windows, patio decks and bystanders.

Solution: 1. Adjust Sweep Hose to a gentle sweeping motion.



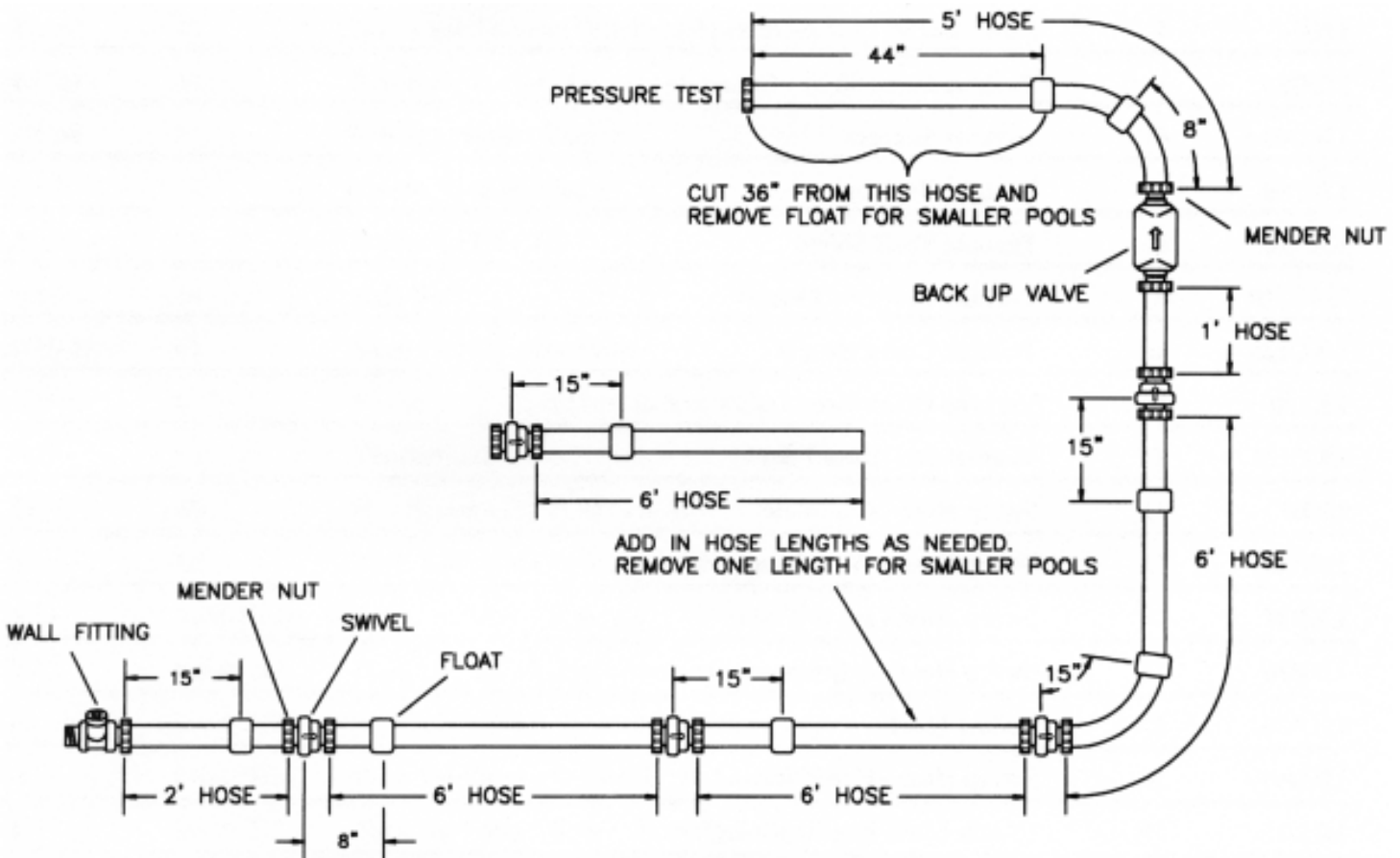
TIPS FOR CUTTING HOSE IN A SMALL POOL, AND FOR ADDING HOSES FOR LARGE POOLS

1. Tips on Hose Cutting for Larger Pools.

If the hose is short of the farthest end of the pool, add an additional section of hose (Part # LX17), one Swivel (Part # LX19), two Mender Nuts w/O-Rings (Part # LX20), and one Hose Float (Part # LXD10). See diagram below. Re-measure and follow guides on [pages 3-4](#).

2. Tips on Hose Cutting for Smaller Pools.

If the hose hangs over the deck more than 9 ft. or the pool is less than 6 ft. deep and narrow, cut 36 in. off the 5 ft. section hose at the end of the feed hose and remove one float. Then remove one 6 ft. hose (see diagram), 1 swivel and 2 mender nuts. Re-measure and cut hose according to the guides on [pages 3-4](#).



LEGEND® PLATINUM II PARTS LIST

Diagram #	Part #	Description	Quantity
1	LLU5PM	Top Cover	1
2	LXU145N	Main Frame	1
3	EU10N	Bottom Cover	1
4	LXU6	Feed Mast w/O-Ring & Swivel	1
5	EC86	Turbine Drive Shaft - Complete	1
6	EC83	Turbine Spacers	1-set
7	EC80	Turbine Bearings	2
8	EA40	Turbine Shaft Shield	1
9	LXC110	Turbine Cover w/Elbows	1
10A	EX120	Turbine Cover Hose 9"	1
10B	EC120	Turbine Cover Hose 7 3/4"	1
11	EC120	Venturi Jet Hose 7 3/4"	1
12	EB5L	Sweep Hose - Complete	1
13	EB10	Sweep Hose - Wear Ring	9
14	EB25	Sweep Hose - Jet w/Collar	1
15	EB20	Sweep Hose - Adjustment Screw	1
16	EA20	Ballast Float	1
17	EH07	Sweep Hose - Hose Sleeve	15
18	EU15	Coarse Mesh Bag (Optional)	1
19	EU16	Fine Mesh Bag	1
20	EU9	Debris Valve	1
21	EU7	O-Ring for Feed Mast	1
22	E18	O-Ring for Thrust Jet	2
23	EC130	Thrust Jet	2
24	EC135	Thrust Jet - Plate	2
25	EC65	Axle - Large Wheels	4
26	EC70	Axle Plate	4
27	EC45	Axle - Lock Washer	8
28	LLC6PM	Wheel w/out Bearings	4
29	EC60	Wheel Bearings Only	8
30	EC55	Wheel - Plastic Washer	4
31	LLC1PM	Wheel - Rubber Tire	4

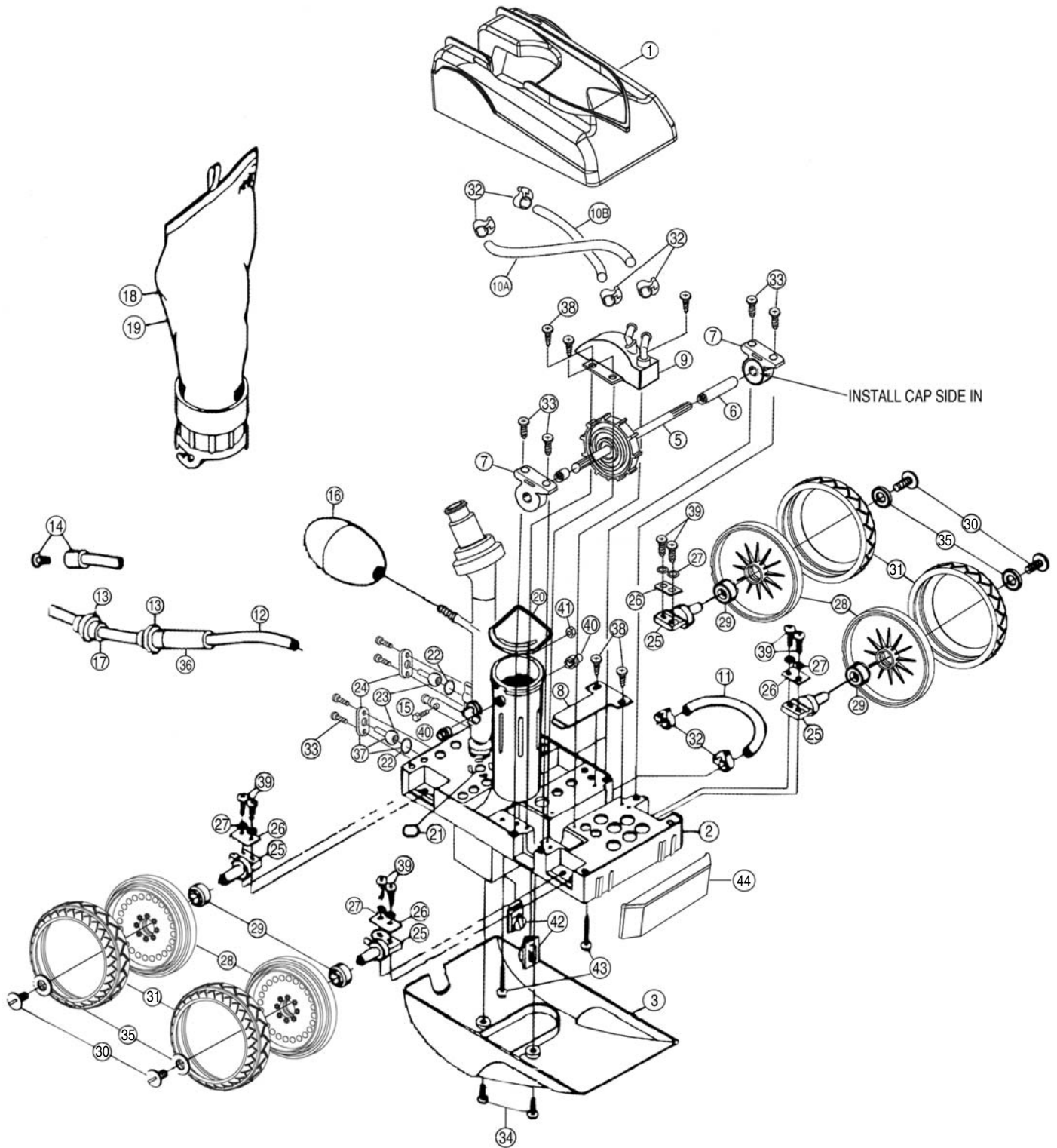
LEGEND® PLATINUM II PARTS LIST

Diagram #	Part #	Description	Quantity
32	EB15	Hose Clamp	7
33	EA40	Screw for Turbine Bearings, Thrust Jet	8
34	EA40	Screw for Bottom Cover	2
35	EC64	Wheel - Plastic Washer	4
36	EH09C	Sweep Hose Weight (optional)	1
37	EC131	Thrust Jet Repair Kit, includes: E18, EC130, EC135	1
38	EA30	Screw for LXC110	5
39	EU76	Axle Bolt	8
40	EU147	Snap Fit Vac Tube Posts	2
41	EU79	Nut & Bolt - Feed Mast to Vac Tube	1-set
42	LXU8	Venturi Jet	2
43	EU80	Screw - Cover to Frame	2
44	LLU81PM	Front Bumper - White	1

SEE PAGE 11 FOR DIAGRAM (H2 - H9)

H2	LX10	Back Up Valve - Low Pressure	1
H2	LX11	Back Up Valve - Housing	1
H2	E12	Back Up Valve - Top Cover	1
inside H2	E13	Back Up Valve - Housing O-Ring	1
inside H2	E14	Back Up Valve - O-Ring Gear Assembly	1
H2	E15	Back Up Valve - Screw Housing Body	6
inside H2	LX16	Back Up Valve - Gear Assembly	1
H3	LXD10	Feed Hose Float	7
H5	LX17	Feed Hose - 6 ft. Section	4
H4	LX18	Feed Hose - 2 ft. Section	1
H6	LX20	Feed Hose Mender w/O-Ring #0252	12
H7	LX19	Feed Hose Swivel	4
H8	LXW22	Wall Fitting - Complete	1
Inside H8	E21	Wall Fitting Adapter	1
inside H8	E23	Wall Fitting O-ring	1
inside H8	E24	Wall Fitting Screen	1
inside H8	E25	Wall Fitting - Valve Assembly	1
H9	LX26	Pressure Tester	1

LEGEND® PLATINUM II EXPLODED VIEW



SAVE THESE INSTRUCTIONS.



P **LEGEND**[®] **PLATINUM** **II**

Nettoyeur de Piscine



Manual d'Installation

CONSIGNES DE SÉCURITÉ
LIRE ET SUIVRE ATTENTIVEMENT TOUTES LES CONSIGNES
VEUILLEZ CONSERVER CES CONSIGNES

Service Clients

Si vous avez des questions liées aux pièces de rechange, et aux produits de piscine de Pentair Water Pool and Spa, veuillez utiliser les coordonnées suivantes.

Service Clients – Etats-Unis (8h00 à 17h00 heure normale du Pacifique)

Téléphone: (800) 831-7133 (appuyez sur la touche trois de la messagerie)

Télécopie: (800) 284-4151

Support Technique pour Pentair Water Pool and Spa, Inc. – Etats-Unis

Sanford, Caroline du Nord – Etats-Unis (8h00 à 17h00 heure normale de l'Est)

Téléphone: (919) 566-8000

Télécopie: (919) 566-8920

Moorpark, Californie – Etats-Unis (8h00 à 17h00 heure normale du Pacifique)

Téléphone: (805) 553-5000 (Ext. 5591)

Télécopie: (805) 553-5515

Site web

visitez www.pentairpool.com ou www.staritepool.com pour trouver des renseignements concernant Pentair Water Pool and Spa, Inc.

Pentair Water Pool and Spa Europe

Industriepark Wolfstee

Toekomstlaan 30

B-2200 Herentals

BELGIUM

Phone : +32 25 99 11

Fax : +32 25 99 73

© 2006 Pentair Water Pool and Spa, Inc. Tous droits réservés.

Les renseignements se trouvant dans ce document sont assujettis à des changements sans préavis.

1620 Hawkins Ave., Sanford, NC 27330 • (919) 556-8000

10951 West Los Angeles Ave., Moorpark, CA 93021 • (805) 553-5000

Marque de commerce et Avis de non responsabilité: Legend et le logo Pentair Water Pool and Spa sont des marques de commerce enregistrées de Pentair Water Pool and Spa, Inc. D'autres marques de commerce et noms de marque peuvent être utilisés dans ce document pour se référer soit aux personnes morales utilisant les marques et noms ou à leurs produits. Pentair Water Pool and Spa, Inc. se décharge de toute marque de commerce ou de nom de marque ne lui appartenant pas.

Réf. P/N 370260 Rév. A 7/31/06

LEGEND® PLATINUM II

LX 2000PMEU

Informations importantes :

Le nettoyeur automatique de piscine Legend® Platinum II est livré prêt à être raccordé à un refoulement 1-1/2" femelle filetée. D'autres connexions sont possibles, mais elles nécessitent des installations supplémentaires. Pour plus d'informations, veuillez contacter votre professionnel piscinier. De même, si vous possédez un doseur de chlore, un système solaire ou autre matériel connecté sur la ligne de refoulement, veuillez contacter votre professionnel piscinier avant d'installer le Legend® Platinum II.

Il est important de prendre connaissance des éléments suivants avant de procéder à l'installation et l'utilisation du Legend® Platinum II.

1. Toujours déconnecter le Legend® Platinum II de la paroi du bassin lors du nettoyage ou du rinçage du filtre du bassin.
2. Après avoir nettoyé ou rincé, laisser tourner le système de filtration pendant au moins cinq minutes avant de reconnecter le Legend® Platinum II.
3. Les tuyaux neufs doivent être rincés avant d'installer le Legend® Platinum II.
4. Le Legend® Platinum II ne doit pas être utilisé pour retirer de la poussière d'enduit ou ciment des nouveaux bassins.
5. Toujours retirer le Legend® Platinum II avant que les nageurs ne pénètrent dans le bassin.
6. Toujours manipuler le Legend® Platinum II avec soin. Ne pas laisser des enfants ou des animaux domestiques jouer avec l'unité : ce n'est pas un jouet.
7. Toujours se saisir du Legend® Platinum II par le tuyau d'alimentation, tout spécialement lorsque l'appareil est soulevé hors de l'eau.
8. Sauf pour vérifier le nombre de tours de roue, ne pas manipuler le Legend® Platinum II lorsqu'il est en fonctionnement.
9. Toujours retirer le Legend® Platinum II du bassin avant des traitements chimiques forts.
10. Procéder avec soin lors de la découpe du tuyau d'alimentation, en suivant les instructions [Page 3](#).

Le fait de respecter ces règles simples permet de contribuer à éviter toute blessure et à prolonger la durée de vie de votre Legend® Platinum II.

Avant d'installer le Legend® Platinum II, merci de prendre le temps de consigner le numéro de série. Ce numéro se trouve sur la dos du Legend® Platinum II, à proximité du jet arrière. Ce numéro vous sera demandé lorsque vous contacterez notre service de support technique.

NO DE SERIE _____

TABLE DES MATIERES

I.	Introduction	1
	A. Merci d'avoir choisi le Legend® Platinum II	1
	B. Fonctionnalités du Legend® Platinum II	1
II.	Instructions d'installation	2
	A. Composants du Legend® Platinum II	2
	B. Connexions du bassin	2
	C. Installation de la soupape de décharge quart de tour (raccord mural)	2
	D. Instructions de test de pression	3
	E. Découpage du tuyau d'alimentation	3
	F. Raccordement du Legend® Platinum II	4
	G. Vérification du fonctionnement	4
	H. Réglage du Legend® Platinum II	5
	1. Réglage du jet de poussée	5
	2. Réglage du tuyau de balayage	5
	3. Vérification du régime de la roue	5
III.	Fonctionnement / Maintenance périodique	7
	A. Connexion/Déconnexion du Legend® Platinum II	7
	B. Mise sous/hors tension du Legend® Platinum II	7
	C. Nettoyage du sac à sable et sédiments	7
	D. Maintenance périodique	7
	1. Crépine murale	7
	2. Pneumatiques et roulements	8
	3. Anneaux d'usure	8
	4. Sacs à débris	8
	5. Tuyau de balayage	8
	6. Valve à débris	8
	E. Rinçage du filtre du bassin	8
	F. Stockage et hivernage	9
	G. Accessoires	9
	1. Sac à feuilles	9
	2. Adaptateur de marches	9
IV.	Astuces en matière de dépannage et de performances	10-12
	Liste des pièces du Legend® Platinum II	13-14
	Vue éclatée du Legend® Platinum II	15

I. Introduction

A. Merci d'avoir choisi le nettoyeur de piscine Legend® Platinum II

Félicitations ! Vous venez d'acquérir votre nouveau nettoyeur automatique de piscine. Le Legend® Platinum II est conçu pour vous offrir des années de service fiable et efficace. Avec le Legend® Platinum II, vous et votre famille passerez plus de temps à apprécier votre piscine et à vous y détendre et moins à la nettoyer.

Le Legend® Platinum II a été conçu et construit avec des fonctionnalités éprouvées et des innovations brevetées afin de créer un nettoyeur automatique de piscine qui vous offrira des années de service fiable. Le Legend® Platinum II est construit aux Etats-Unis, et nous apportons beaucoup de soin et utilisons des matériaux de pointe. Il est soutenu par une garantie limitée qui le protège contre les défauts de matériaux et de construction.

Comme tout appareil mécanique, le Legend® Platinum II nécessite une part de maintenance préventive et le remplacement de certaines pièces mobiles. Nous vous recommandons de procéder à une vérification annuelle de votre Legend® Platinum II. Pour de meilleurs résultats, faites installer votre Legend® Platinum II par un professionnel de piscines qualifié.

Des instructions d'installation sont incluses dans ce manuel à l'attention des propriétaires de piscine bénéficiant d'une certaine expérience dans les domaines de la plomberie et de la mécanique.

Privilégiez la sécurité ! Assurez-vous de sortir le Legend® Platinum II de votre piscine et de le stocker soigneusement dans un endroit à l'abri de la lumière avant que quiconque ne pénètre dans le bassin.

B. Fonctionnalités du Legend® Platinum II

Lorsqu'il fonctionne normalement, le Legend® Platinum II parcourt le bassin de façon aléatoire, aspirant et balayant le fond. La capacité du Legend® Platinum II à grimper aux parois dépend de la forme du bassin. Il grimpera mieux dans des bassins courbes ou angles grands rayons au niveau de la transition entre le sol et la paroi du bassin.

Le Legend® Platinum II est livré équipé d'un raccord mural (pièce no LXW22) doté d'une soupape de décharge quart de tour. Si la pression d'eau reçue par le Legend® Platinum II au niveau de l'unité est trop élevée, la soupape de décharge réduit automatiquement la pression d'eau.

Environ toutes les trois minutes et 30 secondes, le Legend® Platinum II entre en mode de recul. A ce moment-là, la soupape de secours éloigne le Legend® Platinum II des zones à problème.

Certaines piscines peuvent être équipées de marches. Ainsi, l'unité ne peut pas grimper et reste immobile jusqu'à ce que la soupape de secours l'éloigne des marches. Dans cette situation, vous devez utiliser l'adaptateur de marches (pièce no EU13) optionnel pour empêcher l'usure du revêtement.

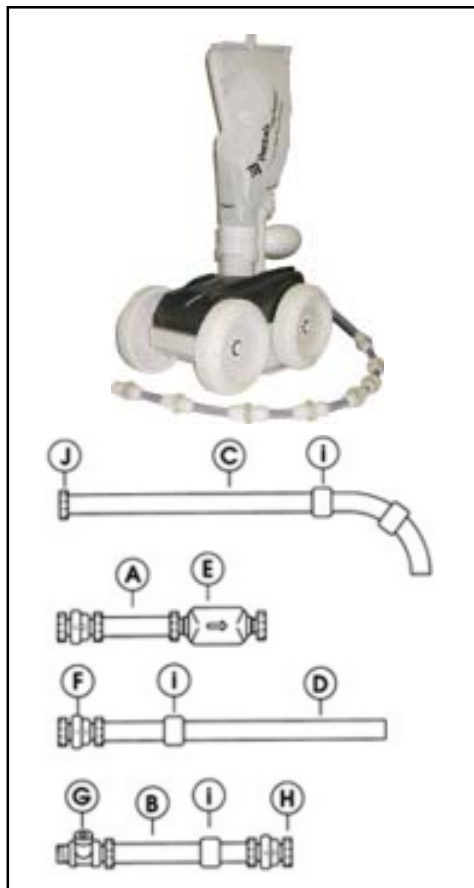
Le tuyau de balayage adopte un mouvement de balayage doux afin d'empêcher les débris de se coincer dans des coins difficiles à atteindre du bassin.

II. Instructions d'installation

A. Composants du Legend® Platinum II

L'emballage du Legend® Platinum II contient :

1. Une tête de nettoyeur
2. Un sac à sable et sédiments
3. Un tuyau de balayage
4. Un tuyau d'alimentation complet
 - a. 1 - Tuyau 18 po. (45 cm)
 - b. 1 - Tuyau 2 ft. (60 cm)
 - c. 1 - Tuyau 4½ ft. (1m30)
 - d. 3 - Tuyaux 6 ft. (1m80)
 - e. 1- Soupape de Secours
 - f. 4 - Pivots
 - g. 1 - Raccord Mural
 - h. 12 - Écrous-Raccords
 - i. 7 - Flotteurs de Tuyau
 - j. 1 - Testeur de Pression

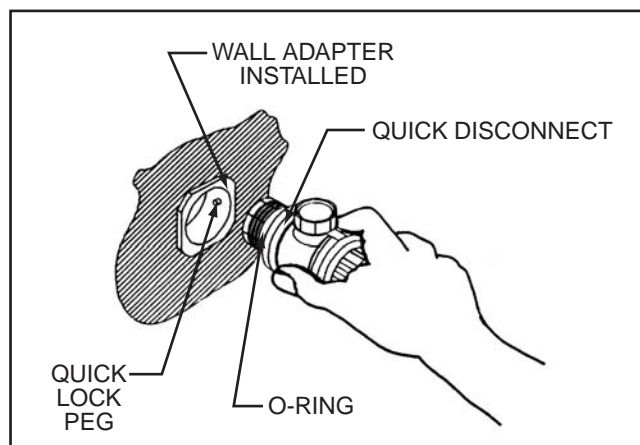


B. Connexions du bassin

Le Legend® Platinum II est livré équipé pour se brancher sur une conduite de refoulement dédiée 1-1/2" femelle fileté. Une vanne réglable équipé d'un manomètre doit être installée sur la conduite de refoulement, dans le local technique afin de permettre un débit d'eau régulé entre le système du bassin et le Legend® Platinum II. Pour plus d'informations, veuillez contacter votre professionnel piscinier.

C. Installation de la soupape de décharge quart de tour (raccord mural)

1. Retirer tout nettoyeur de piscine et/ou raccord mural existant.
2. Activer la pompe de filtration et rincer les tuyaux.
3. Désactiver la pompe de filtration.
4. Retirer l'enjoliveur de refoulement et la bille et visser l'adaptateur à la main dans le corps de la buse de refoulement. Tourner jusqu'à ce qu'elle soit bien serrée.



5. Prendre le raccord mural et le verrouiller dans l'adaptateur mural, jusqu'à ce qu'il soit bien en place. Une fois l'adaptateur mural fixé, donner un quart de tour et déverrouiller pour retirer facilement le raccord mural de l'adaptateur mural.

D. Instructions de test de pression

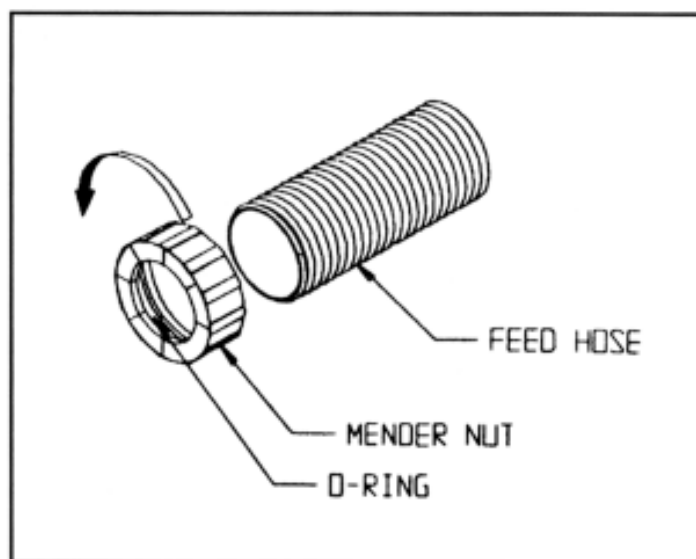
1. S'assurer que le filtre du bassin est propre avant de procéder à ce test de pression.
2. Verrouiller le raccord mural avec le tuyau d'alimentation dans l'adaptateur mural.
3. Faire tenir par une personne l'extrémité testeur de pression du tuyau d'alimentation sous l'eau pendant qu'une autre met en marche la pompe du bassin. Continuer à tenir le tuyau sous l'eau et boucher le grand orifice du testeur de pression.
4. Atteindre et palper autour de la soupape de décharge sur le raccord mural afin de voir si ladite soupape émet une pression d'eau. Si c'est le cas, passer à la section E. Dans le cas contraire, le volume de pression d'eau au niveau de la pompe de filtration du bassin est peut-être insuffisant pour actionner le Legend® Platinum II.

E. Découpage du tuyau d'admission (Voir le schéma du tuyau page 11)

L'ensemble du tuyau se compose de 6 sections couvrant approximativement 9 mètres du bassin, ce qui représente un tuyau ample pour la plupart des piscines privées. Pour les piscines de plus grande ou de plus petite taille, voir [page 12](#) les instructions relatives à l'ajout ou la suppression de tuyaux d'alimentation.

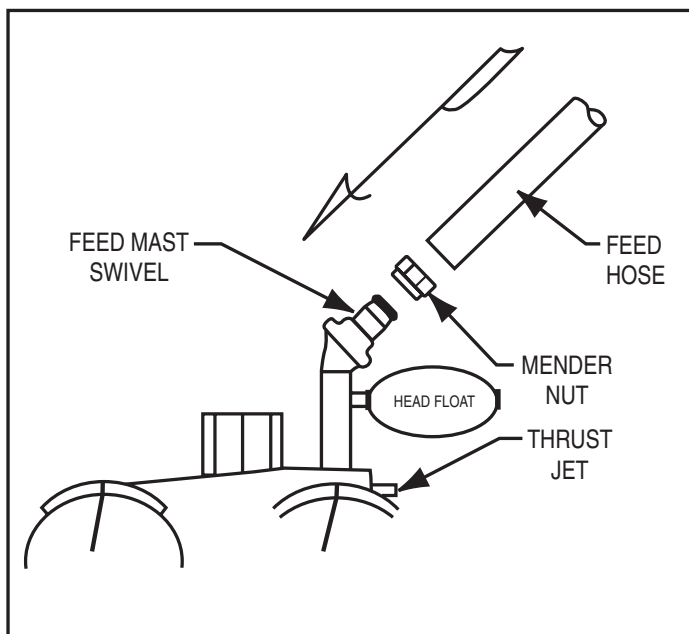
1. Sortir le tuyau d'alimentation de la boîte et étendre le tuyau au soleil toute une journée si possible, (ainsi tous les plis dus au fait que le tuyau a été enroulé dans la boîte s'effaceront).

2. Avec la pompe de filtration du bassin en marche, maintenir l'extrémité libre du tuyau d'alimentation sous l'eau. Attirer doucement le tuyau vers l'extrémité du bassin la plus éloignée du point de connection (généralement l'angle opposé), ne pas étirer le tuyau. (Généralement, le Legend® Platinum II n'escaladera pas la dernière marche. Il n'est donc pas nécessaire d'inclure l'escalier dans la mesure.) Si le flexible atteint juste le point le plus éloigné de votre bassin, et sans excès de tuyau sur le bord, passer à la Section F.
3. Si le tuyau d'alimentation s'étend au-delà de l'extrémité la plus éloignée du bassin, marquer l'excès de tuyau sur le bord, désactiver la pompe du bassin et couper la première section de 6 ft. (1m80) de tuyau, la plus près de la paroi, de la longueur dépassant.
4. **IMPORTANT** : bien vérifier la longueur du tuyau afin de s'assurer d'optimiser les performances de votre nettoyeur de piscine. Le tuyau s'allonge lorsqu'il est sous pression (lorsque la pompe est en marche).



F. Raccordement du Legend® Platinum II

1. Retirer le testeur de pression de l'extrémité libre du tuyau d'alimentation en dévissant l'écrou du tuyau. Par la gauche (inverse), (voir illustration page précédente).
2. Placer l'écrou raccord sur le mât d'alimentation du Legend® Platinum II. Connecter l'extrémité ouverte du tuyau d'alimentation sur le dessus du mât d'alimentation du Legend® Platinum II et le fixer avec l'écrou raccord. L'arc du tuyau d'alimentation doit s'aligner dans le même sens que le mât du pivot. Il ne doit y avoir aucune torsion au niveau du tuyau d'alimentation après la connexion. (Voir illustration ci-dessous.)



3. Verrouiller doucement le sac à sable et sédiments sur le dessus du tuyau aspirant du Legend® Platinum II. Avant de verrouiller le sac à sable et sédiments, s'assurer qu'une valve à débris anti-retour en caoutchouc est fixée sur le dessus du tuyau aspirant, (cette valve est similaire à un clapet anti-retour et contribue à retenir les débris à l'intérieur du sac lorsque la pression d'eau est nulle).

4. Placer doucement le Legend® Platinum II dans le bassin. Mettre en marche la pompe à filtration du bassin.
5. S'assurer que le régime de la roue se **situe entre 25 et 32** tours par minute. Voir **page 5** les instructions concernant le régime de rotation de la roue.

G. Vérification du fonctionnement

Lorsqu'il fonctionne normalement, le Legend® Platinum II parcourt le bassin de façon aléatoire, aspirant et balayant le fond. La capacité du Legend® Platinum II à grimper les paroi dépend de la structure du bassin et du débit d'eau arrivant dans le bassin. Il grimpera mieux dans des bassins courbes ou angles grands rayons au niveau de la transition entre le sol et la paroi du bassin.

Le Legend® Platinum II est livré équipé d'une soupape de décharge quart de tour (raccord mural). Si la pression d'eau reçue par le Legend® Platinum II au niveau de l'unité est trop élevée, la soupape de décharge du raccord mural relâche l'excès de pression d'eau.

Environ toutes les trois minutes et 30 secondes, le Legend® Platinum II entre en mode de recul. Le cycle de la soupape de secours, en mode secours, est d'environ 30 secondes, éloignant le Legend® Platinum II des zones à problème.

Le tuyau de balayage adopte un mouvement de balayage doux afin d'empêcher les débris de se coincer dans des coins difficiles à atteindre du bassin.

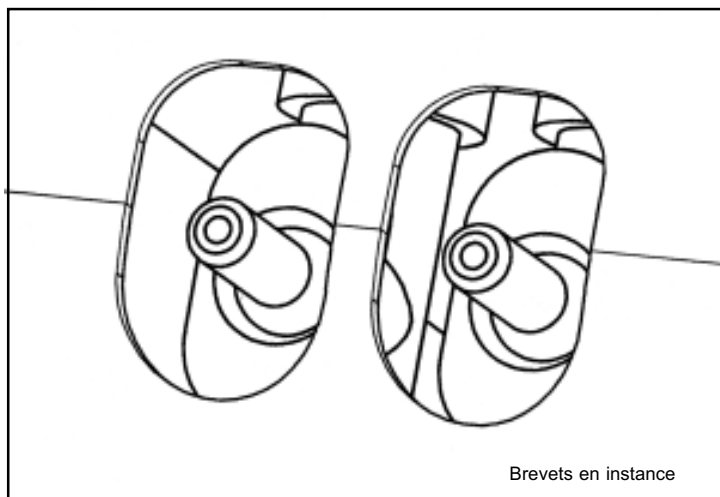
Si le Legend® Platinum II ne visite pas toutes les zones du bassin, éteindre la pompe à filtration du bassin et apporter les réglages nécessaires en suivant les instructions de la page suivante.

H. Réglage du Legend® Platinum II

1. Réglage du jet de poussée

Il y a deux jets de poussée, situés au dos du Legend® Platinum II. Ces jets de poussée modifient la direction du nettoyeur. La position standard en usine des jets est réglée légèrement sur la droite. (Voir illustration ci-dessous).

Dans certains bassins, modifier les jets de poussée peut augmenter la performance du Legend® Platinum II. Déplacer les jets de poussée vers le haut peut améliorer l'escalade des parois. Les déplacer vers le bas peut diminuer l'escalade. Déplacer les jets de poussée vers la gauche, pousse l'unité vers la gauche. Les déplacer vers la droite, pousse l'unité vers la droite.

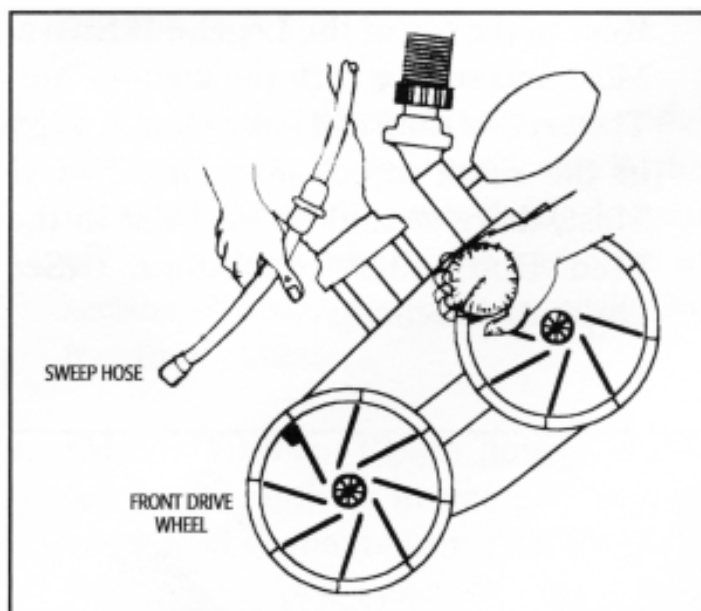


2. Réglage du tuyau de balayage

Le tuyau de balayage adopte un mouvement de balayage doux. Pour augmenter ou diminuer le mouvement du tuyau de balayage, ajuster la vis située sur le mât d'alimentation sous le flotteur du ballast. Tourner la vis dans le sens des aiguilles d'une montre pour diminuer le mouvement, et dans le sens inverse des aiguilles d'une montre pour augmenter le mouvement du tuyau de balayage.

3. Vérification du régime de rotation de la roue

Afin de déterminer si le Legend® Platinum II reçoit la pression d'eau adéquate, éteindre la pompe de la piscine et retirer soigneusement le Legend® Platinum II du bassin.



Marquer le pneu/la roue avant à l'aide d'un marqueur, ou bien utiliser le logo situé sur le côté du pneu comme marqueur afin de compter les tours de roue par minute.

Demander à une personne de mettre la pompe de la piscine en marche pendant qu'une autre place le Legend® Platinum II dans le bassin, juste en dessous de la surface de l'eau. (S'assurer de bien tenir le tuyau de balayage afin d'éviter de se faire mouiller).

Compter les tours de la roue marquée pendant exactement une minute. (**S'assurer que la soupape de secours ne tourne pas à ce moment-là**). Les tours indiqueront le régime, (tr/min).

Pour assurer une bonne performance, le Legend® Platinum II fonctionne entre 25 et 32 tr/min. Si le régime est inférieur à 25, suivre soigneusement les instructions sur la page suivante.

3. Vérification du régime (suite)

1. Nettoyer la crépine (filtre) située à l'intérieur du raccord mural. Une quantité, même réduite, de débris affecte notablement les performances du nettoyeur.
2. Nettoyer le panier du skimmer, le panier de la pompe et le filtre du bassin.
3. Si une vanne réglable a été installée dans le local technique, ajuster la vanne afin d'augmenter le débit d'eau vers le Legend® Platinum II.
4. Si le régime est supérieur à 32, sur le raccord mural, dévisser doucement la soupape de décharge jusqu'à ce que le régime se situe entre 25 et 32. De même, si une vanne réglable a été installée, ajuster la vanne pour diminuer le débit d'eau vers le Legend® Platinum II.
5. Si les problèmes persistent au niveau du débit d'eau ou dans l'obtention de la pression d'eau spécifiée pour utiliser le Legend® Platinum II, appeler votre revendeur de piscine professionnel.



***Pour toutes questions supplémentaires,
veuillez contacter
Pentair Water Pool and Spa Europe
Belgium
service du support technique,
au numéro suivant : +32 25 99 11
du lundi au vendredi.***

III. Fonctionnement / maintenance périodique

A. Connexion/Déconnexion du Legend® Platinum II

Désactiver la pompe du bassin. Puis prendre le raccord mural et le verrouiller dans le sens des aiguilles d'une montre sur l'adaptateur mural. Pour déconnecter le Legend® Platinum II, déverrouiller et tourner dans le sens inverse des aiguilles d'une montre. L'adaptateur mural doit rester dans la paroi du bassin.

B. Mise sous/hors tension du Legend® Platinum II

Le Legend® Platinum II fonctionne à partir d'une pompe à filtration et peut être mis sous tension ou hors tension simplement en activant/désactivant l'horloge de votre pompe.

C. Nettoyage du sac à sable et sédiments

Déverrouiller soigneusement le sac à débris du tuyau aspirant et ouvrir l'attache Velcro® en haut du sac à débris puis jeter les déchets.

Si la piscine est très sale, spécialement après un orage, il est possible de lancer le Legend® Platinum II en deux cycles plus courts par jour et de vider le sac à débris entre chaque cycle.

Reconnecter le sac à débris sur le tuyau aspirant. NE PAS tourner excessivement.

Si l'attache Velcro® en haut du sac à débris ne reste pas fermée, bien rincer, laisser sécher et nettoyer avec une brosse dure.

Astuce pratique : il est plus facile de vider le sac à débris lorsqu'il est sec. Utiliser un deuxième sac pendant que celui qui est plein est en train de sécher.

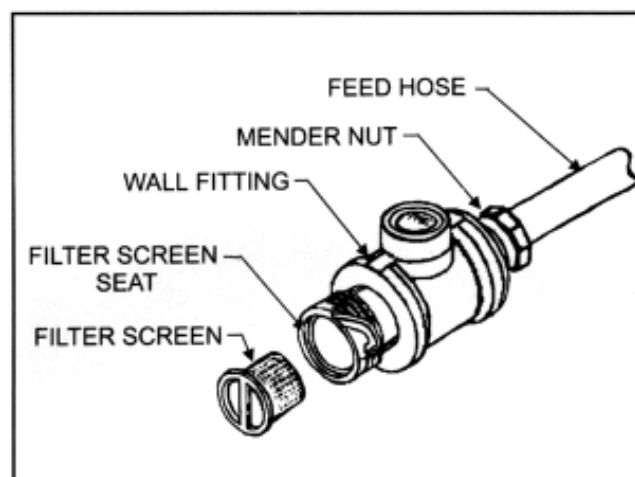
Il est préférable de vider le sac à débris lorsqu'il est à moitié plein. Le Legend® Platinum II sera plus performant si le sac n'est pas trop plein.

D. Maintenance périodique

Les éléments suivants sont des pièces d'usure qui doivent être contrôlées, entretenues ou remplacées si nécessaire. Les pièces d'usure sont toutes les pièces actives ou mobiles qui s'usent à chaque utilisation du nettoyeur. **Les pièces d'usure ne sont pas couvertes par la garantie.**

1. Crépine murale

A l'intérieur du raccord mural, se trouve une crépine qui sert de filtre secondaire. Cette crépine sert à retenir les débris qui ont traversé le filtre du bassin depuis le Legend® Platinum II. **Utiliser le nettoyeur sans la crépine peut endommager le Legend® Platinum II et annule la garantie.**



Une crépine continuellement bouchée ou sale est le signe de problèmes au niveau du système de filtration du bassin. Veuillez contacter votre professionnel de piscines local.

Pour nettoyer la crépine, tirer dessus pour l'extraire du raccord mural et rincer soigneusement. Puis l'enfoncer à nouveau dans le raccord mural.

Pour toute opération de nettoyage, de rinçage ou de réparation du filtre, retirer le raccord mural et rincer la conduite concernée avant d'utiliser le Legend® Platinum II.

III. Fonctionnement / maintenance périodique - (suite)

2. Pneumatiques et coussinets

Les pneumatiques sont conçus pour protéger le fond du bassin et offrir une meilleure traction. Vous devez faire tourner les pneus une fois par an.

Les roulements de roues sont garantis sans défauts lors de leur expédition par Pentair Water Pool and Spa, Inc., et sont considérés comme une pièce d'usure. Un bon roulement doit tourner librement.

3. Anneaux de roulement

Le tuyau de balayage est doté d'un ensemble d'anneaux d'usure afin de protéger le tuyau de balayage. Remplacer les anneaux au besoin. Tourner les anneaux de roulement afin d'éviter les méplats.

4. Sacs à débris

Sac à mailles fines pour sable et sédiments

Le Legend® Platinum II est équipé d'un sac à sable et sédiments d'usage général pour toutes les piscines. Nous ne recommandons pas l'utilisation du sac à mailles fines pour récupérer des feuilles et brindilles ou autres débris volumineux du fait qu'ils ont des bords et extrémités tranchants susceptible de percer voir de déchirer le sac.

Sac à feuilles optionnel

Le sac à feuille a des mailles plus grandes et est conçu pour récupérer des débris de plus grande taille comme des feuilles, des brindilles, des glands, etc. Ce sac peut être utile, spécialement après un orage.

Astuce pratique : afin de prolonger la durée de vie des sacs, sortir le nettoyeur de la piscine avant d'ajouter des produits chimiques.

5. Tuyau de balayage

Le tuyau de balayage est fourni pour contribuer à maintenir la propreté du fond et des parois du bassin. Le tuyau de balayage est garanti sans défauts au moment de sa sortie d'usine et est considéré comme étant une pièce d'usure.

6. Valve anti retour à débris

Cette valve se trouve sous le sac à débris. Elle est conçue pour retenir les débris à l'intérieur du sac. Elle fonctionne comme un clapet anti-retour permettant uniquement aux débris de pénétrer dans le sac, dans un seul sens. Cette valve doit être remplacée quand elle commence à se raidir.

E. Rinçage du filtre du bassin

Toujours déconnecter le Legend® Platinum II de la paroi du bassin avant de nettoyer ou de rincer le filtre de la piscine. Après un nettoyage ou un rinçage, laisser le système de filtration de la piscine fonctionner pendant au moins cinq minutes pour rincer les conduites de retour avant de reconnecter le Legend® Platinum II.

III. Fonctionnement / maintenance périodique - (suite)

F. Stockage et hivernage

Ne jamais laisser ou stocker le Legend® Platinum II directement au soleil. Lors du stockage du Legend® Platinum II pour l'hiver, s'assurer de purger toute l'eau qu'il contient. Cela est important du fait qu'aucun endommagement par le gel n'est couvert par la garantie. De même, retirer le raccord mural.

G. Accessoires

1. Sac à feuilles

(Voir page précédente)

2. Adaptateur de marches

Cet adaptateur est conçu pour les piscines dotées de marches installées de telle façon que l'unité ne peut pas les graver et reste immobile jusqu'à ce que la soupape de recul s'active. L'adaptateur sert de butoir pour que le nettoyeur se détourne des marches et continue à nettoyer le bassin.

Il est facile à installer : il suffit de glisser l'adaptateur de marches dans une des fentes (de n'importe quel côté) situées sur l'avant du Legend® Platinum II et de le régler à la bonne hauteur. (Le no de pièce de l'adaptateur de marches est EU13.)



IV. ASTUCES EN MATIERE DE DEPANNAGE ET DE PERFORMANCES

Afin d'optimiser les performances de votre nettoyeur, suivez le guide de dépannage ci-dessous.

A. PROBLEMES ET SOLUTIONS

Problème : Legend® Platinum II ne bouge pas ou lentement, ou bien reste accroché aux marches.

- Solution :
1. S'assurer que le filtre et la pompe de filtration sont en marche et fonctionnent correctement. (Il peut s'avérer nécessaire de nettoyer le système de filtration du bassin).
 2. S'assurer que le skimmer et le panier sont propres.
 3. Vérifier qu'il n'y a pas de débris au niveau de la crépine du raccord mural et rincer pour nettoyer.
 4. Contrôler le régime de rotation de la roue (Voir pages 5-6).
 5. Déterminer si la soupape de recul située sur le tuyau d'alimentation fonctionne. (Maintenir la soupape hors de l'eau et le jet devrait fonctionner pendant environ 30 secondes et s'arrêter pendant environ 3 minutes et 30 secondes.)
 6. Vérifier l'étanchéité de tous les raccords tournants de tuyaux. Des fuites peuvent générer une perte de pression d'eau.
 7. S'assurer qu'il n'y a pas de débris coincés dans les dents de l'engrenage sur une des roues avant. Faire tourner doucement les roues avant vers l'arrière afin de déloger les débris.
 8. La piscine peut comporter plusieurs refoulements qui ne sont pas pilotés indépendamment par une vanne chacun dans le local technique. Aussi il peut être nécessaire de réduire le débit des autres refoulements pour récupérer assez de débit sur le refoulement sur lequel le robot est connecté. Pour cela utilisez des rotules de section plus petite ou contactez votre professionnel piscinier.

Problème : Legend® Platinum II tourne dans le bassin.

- Solution :
1. Vérifier le régime de la roue et s'il est supérieur à 32 tr/min, apporter les réglages au niveau du raccord mural en tournant doucement la soupape de décharge jusqu'à ce que le régime se situe entre 25 et 32. Ou bien, si une vanne réglable a été installée, ajuster la vanne pour diminuer le débit d'eau.
 2. Air dans le système. Consulter votre professionnel piscinier.

Problème : Legend® Platinum II n'entre pas en cycle de recul.

- Solution :
1. Déterminer si la soupape de recul fonctionne. (Maintenir la soupape hors de l'eau et le jet devrait fonctionner pendant environ 30 secondes et s'arrêter pendant environ 3 minutes et 30 secondes).
 2. Contrôler le régime de rotation de la roue (Voir pages 5-6).
 3. Vider le sac à débris s'il est plein ou à moitié plein.

Problème : Legend® Platinum II ne grimpe pas.

- Solution :
1. Même si le bassin ne présente pas d'algues, il faut tout de même brosser les bords des parois de la piscine.
 2. Contrôler le régime de la roue (Voir pages 5-6).
 3. Repositionner le jet de poussée. Desserrer les deux vis afin d'ajuster le jet de poussée.

Rappel : la capacité du Legend® Platinum II à grimper aux parois dépend de la forme du bassin et de la pression d'eau disponible. Il grimpera mieux dans des bassins courbes ou angles grands rayons au niveau de la transition entre le sol et la paroi du bassin.

Problème : Enchevêtrement de tuyaux.

- Solution :
1. Vérifier la longueur du tuyau d'alimentation. Il est peut-être trop long. (Voir pages 3-4).
 2. S'assurer que le tuyau d'alimentation flotte à la surface. S'assurer que l'espacement entre les flotteurs du tuyau est régulier.
 3. Tourner les raccords tournants du tuyau pour voir s'ils pivotent librement. Remplacer ceux pour lesquels ça n'est pas le cas.
 4. Etendre le tuyau d'alimentation en plein soleil pour effacer tout pli.

IV. ASTUCES EN MATIERE DE DEPANNAGE ET DE PERFORMANCES

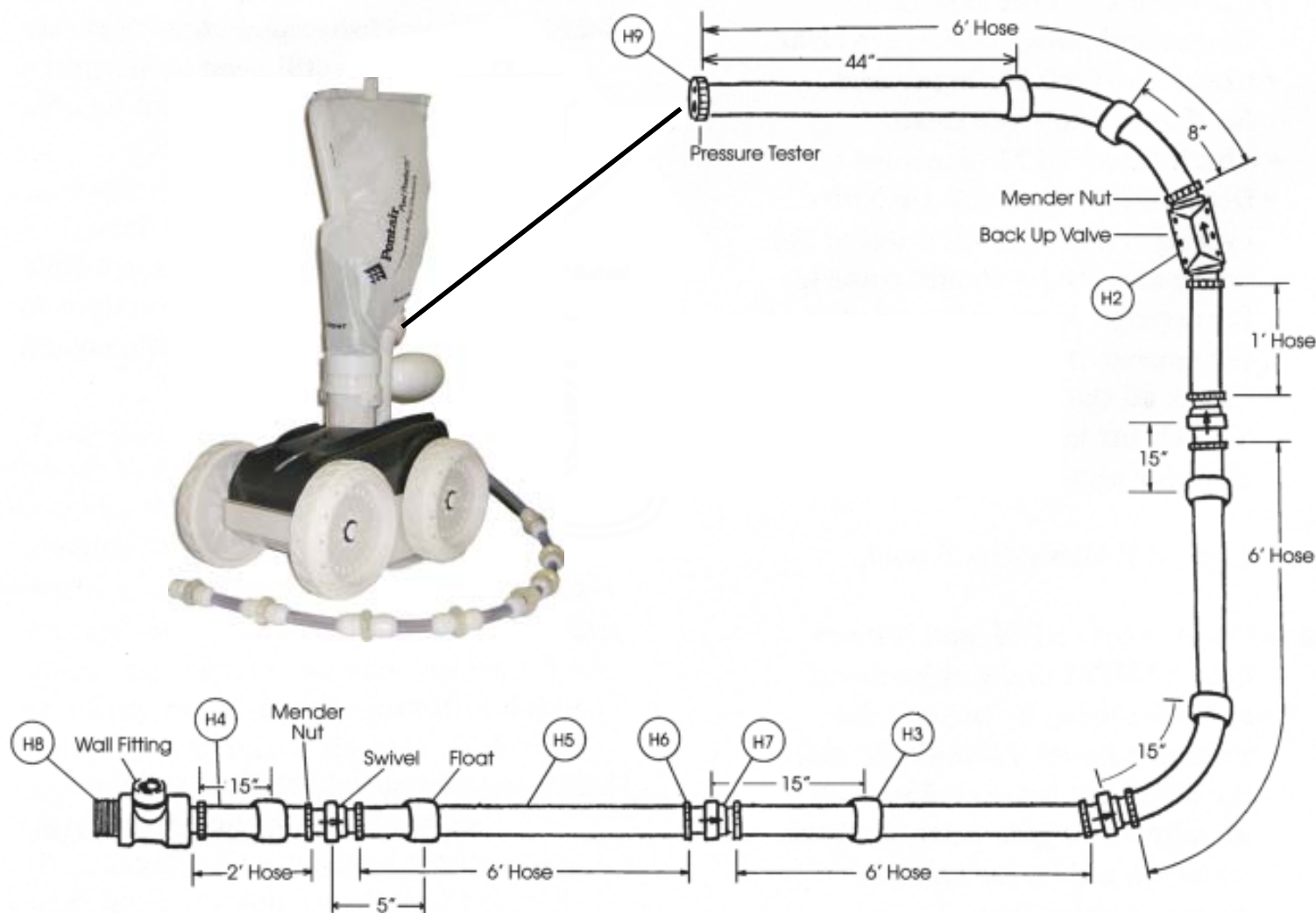
A. PROBLEMES ET SOLUTIONS - (suite)

Problème : Le tuyau de balayage est coincé dans le nettoyeur.

Solution : 1. Ajuster le tuyau de balayage en utilisant la vis de réglage située à la base du mât d'alimentation. Tourner la vis de réglage dans le sens des aiguilles d'une montre jusqu'à ce que le tuyau de balayage adopte un mouvement de balayage doux.

Problème : Le tuyau de balayage sort en surface et asperge les fenêtres, bords et personnes à proximité.

Solution : 1. Ajuster le tuyau de balayage pour qu'il adopte un mouvement de balayage doux.



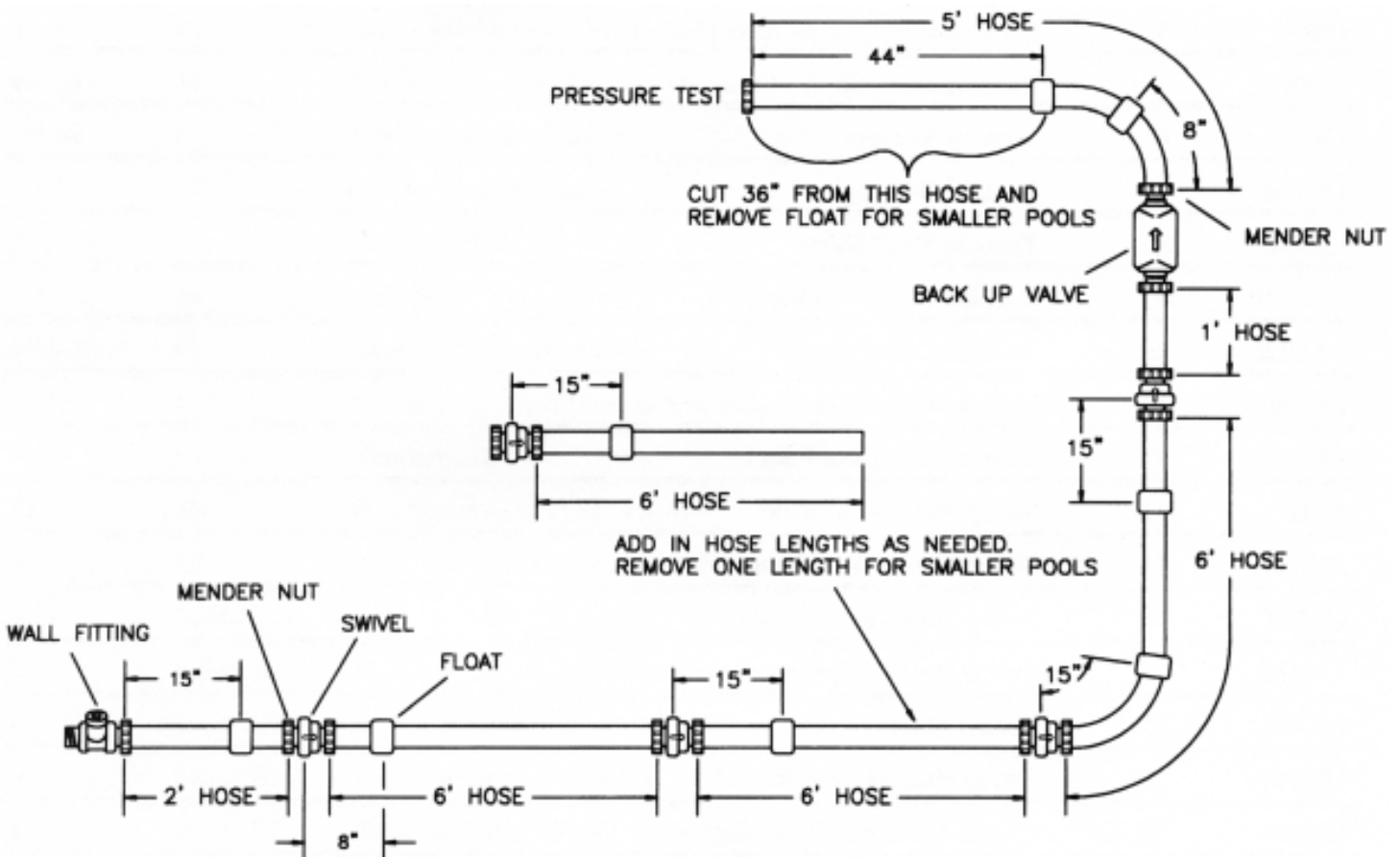
ASTUCES POUR AJUSTER LA TAILLE DU TUYAU DANS LES PETITS BASSIN ET DANS LES GRANDS BASSINS

1. Astuces pour ajuster la taille du tuyau dans les bassins de grande taille.

Si le tuyau n'atteint pas l'autre côté du bassin, ajouter une section supplémentaire au tuyau (pièce no LX17), un raccord tournant (pièce no LX19), deux écrous raccords avec joints toriques (pièce no LX20) et un flotteur de tuyau (pièce no LXD10). Voir schéma ci-dessous. Remesurer puis suivre les indications pages 3-4.

1. Astuces pour couper le tuyau dans les bassins de petite taille.

Si le tuyau pend sur le bord sur plus de 9 ft. (2m70), ou si la profondeur du bassin est inférieure à 6 ft. (1m80), couper 36 in. (90 cm) de la section de 5 ft. (1m50) à l'extrémité du tuyau d'alimentation puis retirer un flotteur. Retirer ensuite un tuyau de 6 ft. (1m80) (voir schéma), 1 raccord tournant et 2 écrous raccords. Remesurer et couper le tuyau comme indiqué pages 3-4.



LISTE DES PIÈCES DU LEGEND® PLATINUM II

N° de Schéma	N° de Pièce	Description	Quantité
1	LLU5PM	Capot supérieur	1
2	LXU145N	Châssis principal	1
3	EU10N	Capot inférieur	1
4	LXU6	Mât d'alimentation avec joint torique et pivot	1
5	EC86	Arbre moteur de turbine - Complet	1
6	EC83	Entretoises de turbine	1-jeu
7	EC80	Roulements de turbine	2
8	EA40	Ecran d'arbre de turbine	1
9	LXC110	Capot de turbine avec coude	1
10A	EX120	Tuyau de capot de turbine 9"	1
10B	EC120	Tuyau de capot de turbine 7¾"	1
11	EC120	Tuyau à jet Venturi 7¾"	1
12	EB5L	Tuyau de balayage - Complet	1
13	EB10	Tuyau de balayage – Bague d'usure	9
14	EB25	Tuyau de balayage - Jet avec collier	1
15	EB20	Tuyau de balayage – Vis de réglage	1
16	EA20	Flotteur de ballast	1
17	EH07	Tuyau de balayage – Manchon de tuyau	15
18	EU15	Sac à grosses mailles (Optionnel)	1
19	EU16	Sac à mailles fines	1
20	EU9	Soupape à débris	1
21	EU7	Joint torique pour mât d'alimentation	1
22	E18	Joint torique pour jet de poussée	2
23	EC130	Jet de poussée	2
24	EC135	Jet de poussée - Plaque	2
25	EC65	Essieu – Roues larges	4
26	EC70	Plaque d'essieu	4
27	EC45	Essieu – Rondelle frein	8
28	LLC6PM	Roue sans roulements	4
29	EC60	Roulements de roue uniquement	8
30	EC55	Roue – Rondelle plastique	4
31	LLC1PM	Roue – Pneu en caoutchouc	4

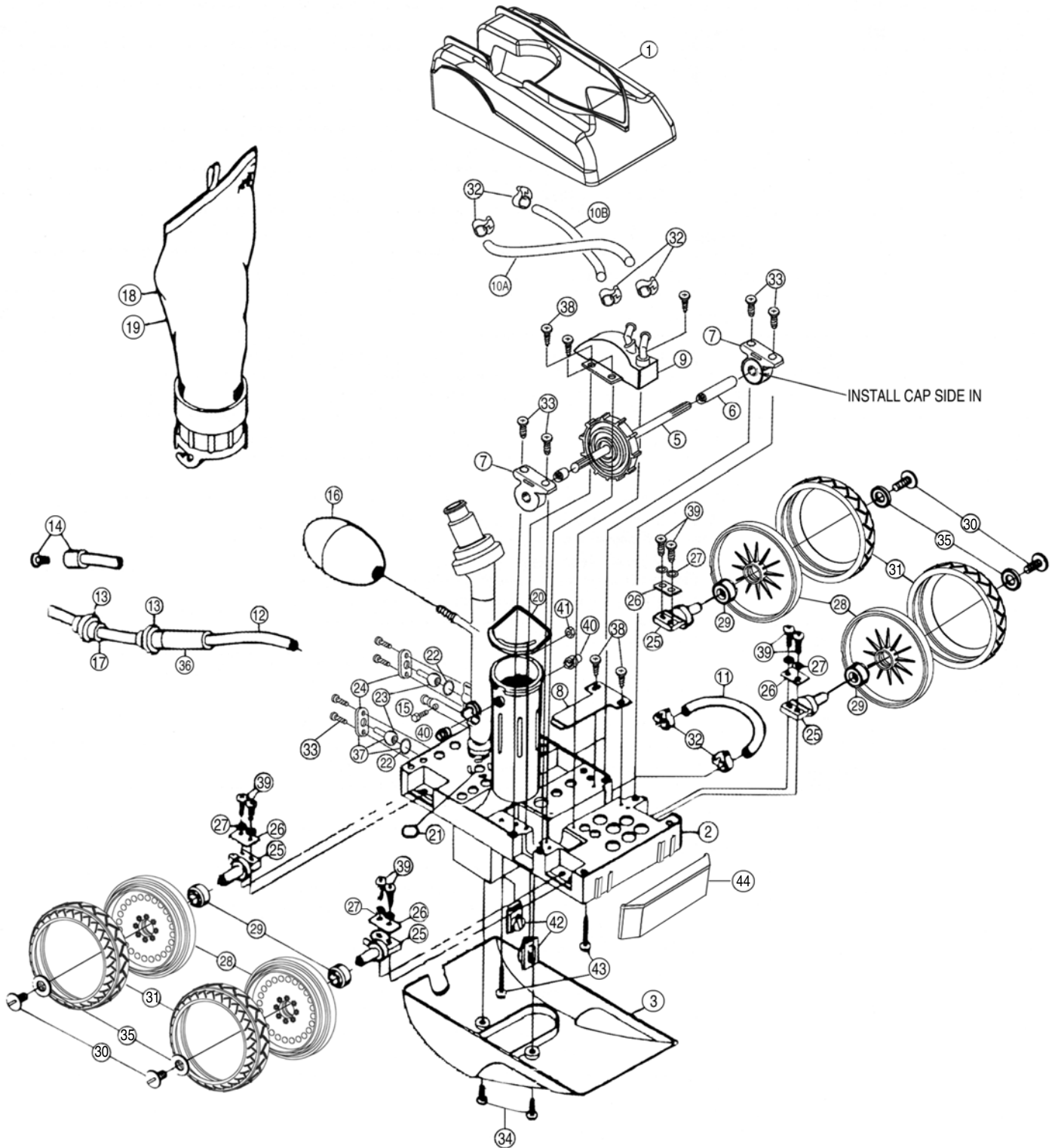
LISTE DES PIÈCES DU LEGEND® PLATINUM II

N° de Schéma	N° de Pièce	Description	Quantité
32	EB15	Bague de serrage	7
33	EA40	Vis pour roulements turbine, jet de poussée	8
34	EA40	Vis pour capot inférieur	2
35	EC64	Roue – Rondelle plastique	4
36	EH09C	Poids du tuyau de balayage (optionnel)	1
37	EC131	Trousse de réparation de Thrust Jet, inclut : E18, EC130, EC135	1
38	EA30	Vis pour LXC110	5
39	EU76	Boulon d'essieu	8
40	EU147	Tiges tuyau aspirant encliquetables	2
41	EU79	Ecrous et boulons – Mât d'alim. sur tuyau asp.	1-jeu
42	LXU8	Jet Venturi	2
43	EU80	Vis – Capot sur châssis	2
44	LLU81PM	Pare-choc de devant - Blanc	1

VOIR LE SCHÉMA (H2 - H9) DU TUYAU PAGE 11

H2	LX10	Soupape de recul – Basse pression	1
H2	LX11	Soupape de recul – Corps	1
H2	E12	Soupape de recul – Capot supérieur	1
dans H2	E13	Soupape de recul – Joint torique corps	1
dans H2	E14	Soupape de recul – Ens. eng. joint torique	1
H2	E15	Soupape de recul – Vis corps	6
dans H2	LX16	Soupape de recul – Ens. engrenage	1
H3	LXD10	Flotteur tuyau d'alimentation	7
H5	LX17	Tuyau d'alimentation – Section 6 ft. (1m80)	4
H4	LX18	Tuyau d'alim. – Section 2 ft. (60 cm)	1
H6	LX20	Raccord tuyau d'al. avec joint torique N° 0252	12
H7	LX19	Pivot tuyau d'alimentation	4
H8	LXW22	Raccord mural - Complet	1
dans H8	E21	Adaptateur raccord mural	1
dans H8	E23	Joint torique raccord mural	1
dans H8	E24	Crépine raccord mural	1
dans H8	E25	Raccord mural – Ensemble soupape	1
H9	LX26	Testeur de pression	1

VUE ECLATEE DU LEGEND® PLATINUM II



CONSERVER CES INSTRUCTIONS



Réf. P/N 370260 Rév. A 7/31/06

© Pentair Water Pool and Spa, Inc. Tous droits réservés.
Imprimé aux Etats-Unis

Free Manuals Download Website

<http://myh66.com>

<http://usermanuals.us>

<http://www.somanuals.com>

<http://www.4manuals.cc>

<http://www.manual-lib.com>

<http://www.404manual.com>

<http://www.luxmanual.com>

<http://aubethermostatmanual.com>

Golf course search by state

<http://golfingnear.com>

Email search by domain

<http://emailbydomain.com>

Auto manuals search

<http://auto.somanuals.com>

TV manuals search

<http://tv.somanuals.com>