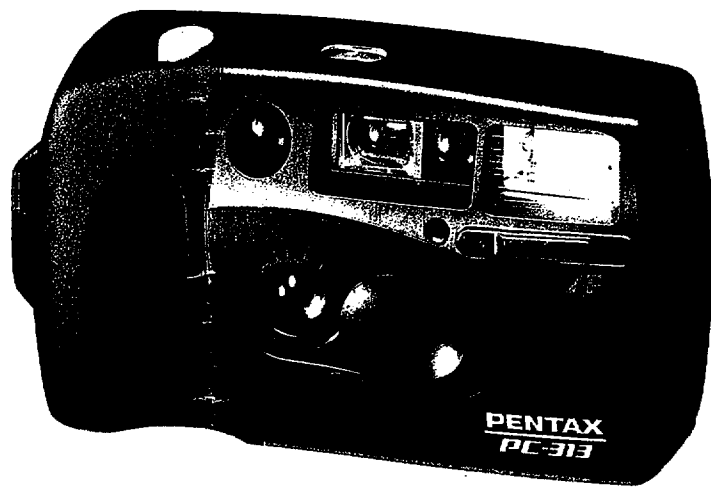


PENTAX®

PC-313



使用説明書

OPERATING MANUAL

BEDIENUNGSANLEITUNG

MODE D'EMPLOI

用戶備用手冊

Congratulations. You now own an automatic compact camera that gives you a wonderful time at your enjoyable gathering with your family and friends. Although this camera is so easy to use, it is highly recommended to read this operating manual carefully so that you can enjoy taking pictures even more with this camera.

SPECIFICATIONS

Type: 35mm auto-focus leaf-shutter camera with built-in flash.

Film: 35mm perforated cartridge film. 24mm X 36mm format.

Film Speed Setting: Manual film speed setting at ISO 100, 200 and 400.

Film Winding/Rewinding: Automatic film winding and rewinding.

Lens: Pentax 35mm f/4.5. 3 elements in 3 groups.

Focusing System: Active infrared automatic focusing with focus-lock device. Focusing range: 1.2m (3.9ft.) to infinity.

Shutter: Behind-the-lens shutter with fixed shutter speed at 1/125 sec.

Flash: Built-in type with guide number 10 (ISO 100/m). Recycling time: approx. 6 seconds with fresh alkaline batteries.

Power Source: Two 1.5V "AA" alkaline or manganese batteries. (Ni-Cd batteries not usable.)

Battery Life: Approx. 40 rolls of 36-exposure film without flash; approx. 8 rolls of 36-exposure film with flash.

Dimensions: 117.5 (W) X 67 (H) X 47.5 (D) mm (4.6" X 2.6" X 1.9").

Weight: 185g (6.5 oz.) without batteries.

Special note: Use the film for color or black-and-white prints. Color slide film is not recommended.

CAUTIONS

1. Do not drop or bang your camera against a hard surface.
2. Keep the viewfinder area and the lens clean. If they become dirty with finger prints and/or other things, wipe them off using a lens cleaning tissue and lens cleaning liquid.
3. Do not use solvents, such as thinner or alcohol, to clean the camera.
4. Do not expose the camera to excessive heat or moisture.
5. Do not drop the camera into water. It's not water-resistant.
6. Operate the camera under temperatures between -10°C (14°F) and 40°C (104°F).

WARRANTY POLICY

All Pentax cameras purchased through authorized bona fide photographic distribution channels are guaranteed against defects of material or workmanship for a period of twelve months from date of purchase. Service will be rendered and defective parts will be replaced without cost to you within that period, provided the equipment does not show evidence of impact, sand or liquid damage, mishandling, tampering, battery or chemical corrosion, operation contrary to operating instructions, or modification by an unauthorized repair shop. The manufacturer or its authorized representatives shall not be liable for any repairs or alterations except those made with its written consent and shall not be liable for damages from delay or loss of use or for other indirect or consequential damages of any kind, whether caused by defective material or workmanship or otherwise; and it is expressly agreed that the liability of the manufacturer or its representatives under all guarantees or warranties, whether expressed or implied, is strictly limited to the replacement of parts as hereinbefore provided. No refunds will be made on repairs performed by non-authorized Pentax service facilities.

Procedure during 12-month Warranty Period

Any Pentax equipment which proves defective during the 12-month warranty period should be returned to the dealer from whom you purchased the equipment or to the manufacturer. If there is no representative of the manufacturer in your country, send the equipment to the manufacturer, with postage prepaid. In this case, it will take a considerable length of time before the equipment can be returned to you owing to the complicated customs procedures required in Japan for importing and re-exporting photographic equipment. If the equipment is covered by warranty, repairs will be made and parts replaced free of charge, and the equipment will be returned to you upon completion of servicing. If the equipment is not covered by warranty, regular charges of the manufacturer or of its representatives will apply. If your Pentax equipment was purchased outside of the country where you wish to have it serviced during the warranty period, regular handling and servicing fees may be charged by the manufacturer's representatives in that country. Notwithstanding this, Pentax equipment returned to the manufacturer will be serviced free of charge according to this procedure and warranty policy. In any case, however, shipping charges and customs clearance fees are to be borne by the sender. To prove the date of your purchase when required, please keep the receipts or bills covering the purchase of your equipment for at least a year. Before sending your equipment for servicing, please make sure that you are sending it to the manufacturer's authorized representatives or their accredited repair shops, unless you are sending it directly to the manufacturer. Always obtain a quotation of the service charge, and only after you accept the quoted service charge, instruct the service station to proceed with the servicing.

This warranty does not apply to Pentax products purchased in the U.S.A., U.K. or Canada. The local warranty policies available from Pentax distributors in those countries supersede this warranty policy.

DESCRIPTION OF PARTS

- ① Shutter release button
- ② Auto-focus window
- ③ Exposure counter
- ④ Viewfinder window
- ⑤ Light-sensor window
- ⑥ Flash
- ⑦ Flash switch
- ⑧ Lens
- ⑨ Lens protector
- ⑩ Film-information window
- ⑪ Back cover
- ⑫ Flash ready lamp
- ⑬ Film-leader-end mark
- ⑭ Viewfinder eyepiece
- ⑮ Film chamber
- ⑯ Back-cover release lever
- ⑰ Battery-chamber cover
- ⑱ Take-up spool
- ⑲ Sprocket
- ⑳ Film-speed-set lever
- ㉑ Film rewind lever
- ㉒ Rewind shaft

INSERTING BATTERIES (Fig.1)

You need two "AA" batteries to operate this camera. Although both manganese and alkaline batteries are suitable for this camera, the latter is recommended for longer battery life. Ni-Cd batteries are not suitable.

Insert two batteries by aligning (+) and (-) marks of the batteries with the marks on the cover, then close the cover.

CHECKING BATTERIES BEFORE USE (Fig.2—3)

1. Open the lens protector ⑨ completely. Now the camera is operable.
*Unless the protector is fully opened, the shutter is not operable to avoid accidental shooting.
2. Depress the shutter release button ① halfway while covering the light-sensor window ⑤ as shown.
3. A red lamp lights up when batteries are properly loaded.

Replace the batteries with fresh ones when film advance becomes slow or flash recycling takes more than 30 seconds.

*When replacing, use batteries of the same type and make.

*Do not leave batteries in the camera to avoid possible leakage when storing the camera for a long period.

SETTING FILM SPEED (Fig.4)


Align the index of the film-speed-set lever ⑳ with the corresponding film speed (ISO) of the film in use.

*This camera is designed to use the film with ISO 100, 200 or 400.

*The film speed is indicated on the film package.

LOADING FILM (Fig.5—8)

When loading or unloading the film, avoid the direct sunlight.

1. Open the back cover by sliding the back-cover release lever ⑯.
2. Place the film cartridge by first fitting its flat side on the rewind shaft.
3. Pull the film leader out and place it on the film-leader-end mark ⑬ [].
*Make sure that the film is properly placed between the guide rails while taking up any slack left in the film.
4. Close the back cover. Release the shutter four times until the exposure counter ③ reaches "1".

TAKING PICTURES (Fig.9—11)

1. Open the lens protector. Look through the viewfinder and compose your image.
2. Depress the shutter release button halfway. Make sure that a red lamp does not come on inside the viewfinder. When the red lamp lights up, use the flash.
3. When you are ready, release the shutter. The shooting range is from 1.2m (3.9 ft.) to infinity.

FOCUSING (Fig.12—14)

Place the subject at the center of the viewfinder when you take a picture. To focus on the subject in a peripheral area, point the center of the viewfinder at the subject first, then depress the shutter release button halfway, recompose the picture and release the shutter.

USING FLASH (Fig.15—16)

The red lamp in the viewfinder recommends you to use the flash.

1. Slide the flash switch ⑦ in the direction of the arrow.
2. When the flash ready lamp ⑫ lights up, you are ready to take a picture using the flash. Keep your finger off the shutter release button until the ready lamp comes on. Make sure to keep your finger off the flash head when taking a picture. Slide the flash switch back after shooting.

The flash helps take brilliant pictures of backlit subjects.

Flash Control Range

The flash covers following ranges:

ISO 100 film = approx. 1.2—3.1m (3.9—10.2 ft.)

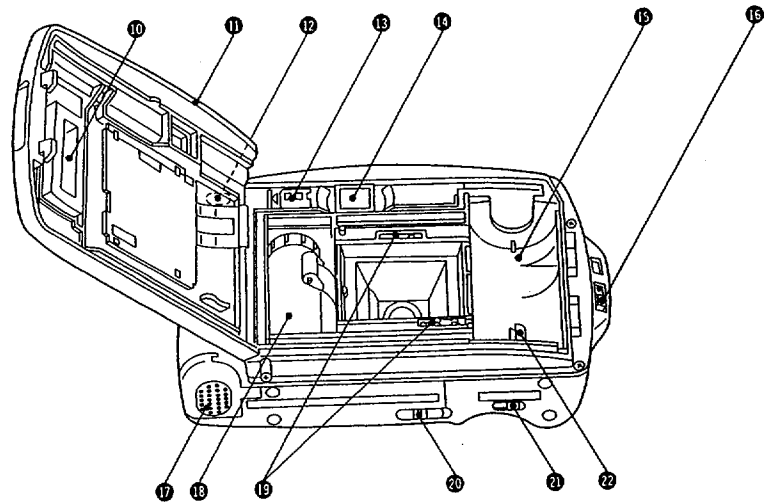
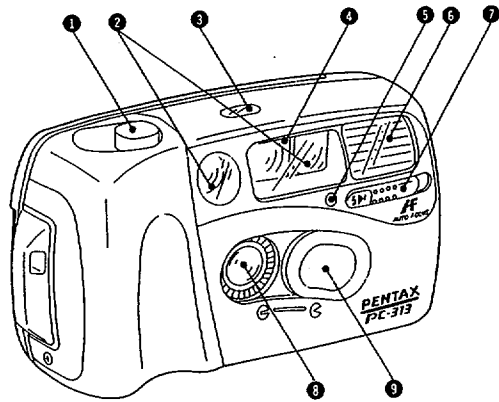
ISO 200 film = approx. 1.2—4.4m (3.9—14.4 ft.)

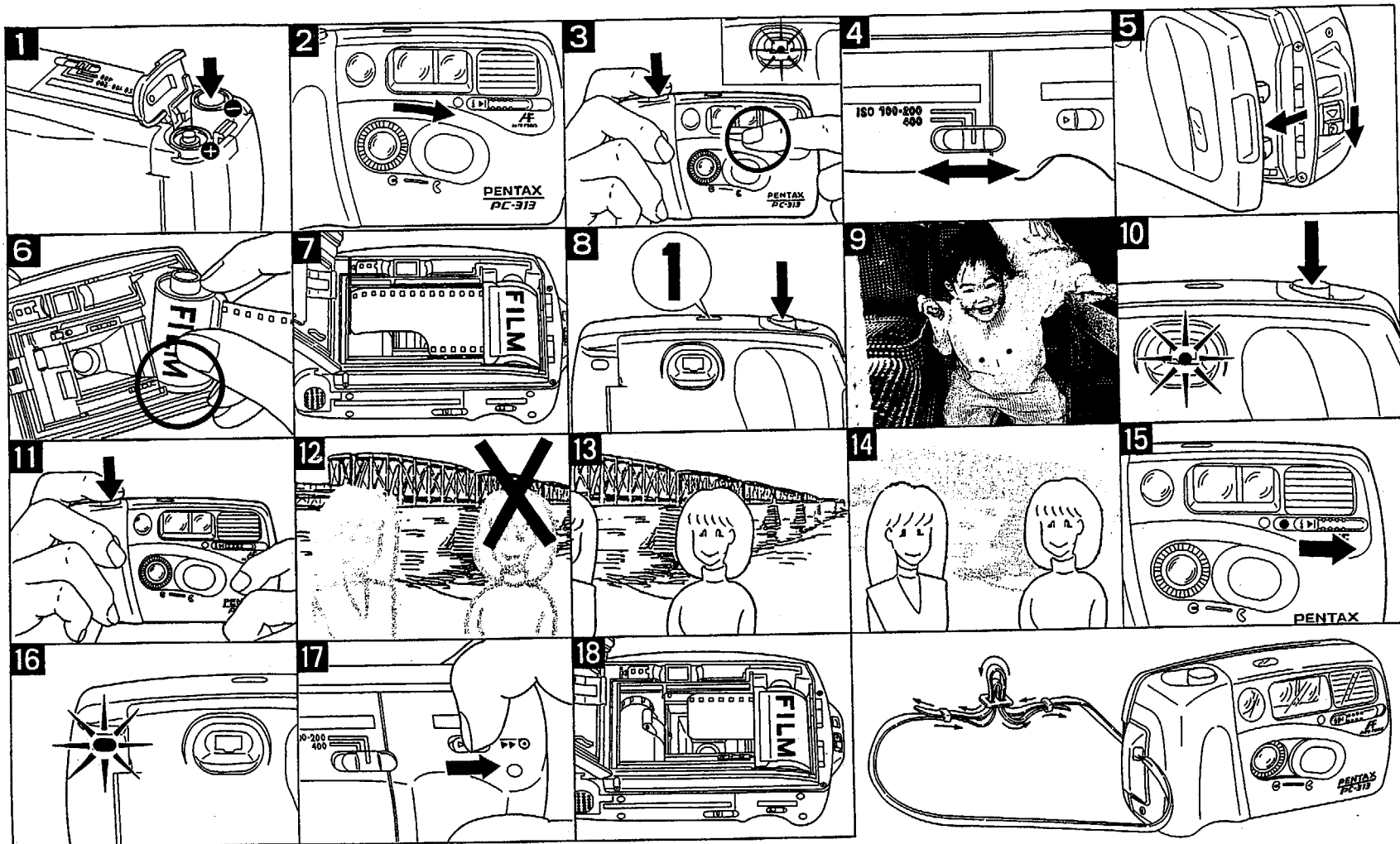
ISO 400 film = approx. 1.6—6.3m (5.2—20.7 ft.)

REWINDING FILM (Fig.17—18)

The motor stops automatically at the end of the film.

1. To rewind the film, push the film rewind lever ㉑ in the direction of the arrow and hold it there until rewind finishes.
2. The motor stops automatically with the exposure counter showing "S".
3. Open the back cover and remove the film cartridge from the chamber.







旭光学工業株式会社
〒174 東京都板橋区前野町2丁目36番9号
旭光学商事株式会社
〒100 東京都千代田区永田町1丁目11番1号

●お問い合わせは次の各サービス窓口へ

ペンタックスフォーラム	〒163 東京都新宿区西新宿2丁目1番1号 新宿三井ビル (地下0階)	☎03(3348)2941(代)
ペンタックスフォーラム・大阪	〒542 大阪市中央区南船場1丁目17番9号	☎06(271)3980
東京サービスセンター	〒104 東京都中央区銀座西8丁目10番地	☎03(3571)5621(代)
札幌サービスセンター	〒060 札幌市中央区大通西8丁目1番地1号 朝日生命札幌大通ビル	☎011(241)8742(代)
仙台サービスセンター	〒980 仙台市青葉区中央2丁目2番10号 仙都会館	☎022(261)5681(代)
新潟サービスセンター	〒951 新潟市本町通七番町1153番地 日本信販新潟ビル	☎025(224)8391(代)
横浜サービスセンター	〒231 横浜市中区不老町1丁目6番9号 横浜エクセレントVビル	☎045(681)8771(代)
静岡サービスセンター	〒420 静岡市伝馬町24番2号 住友建設ビル	☎054(255)6308(代)
名古屋サービスセンター	〒461 名古屋市長区泉1丁目19番8号	☎052(962)5331(代)
金沢サービスセンター	〒920 金沢市尾張町2丁目8番23号 太陽生命ビル	☎0762(22)0501(代)
大阪サービスセンター	〒542 大阪市中央区南船場1丁目17番9号	☎06(271)7996(代)
広島サービスセンター	〒730 広島市中区大手町3丁目7番2号 大東京火災広島ビル	☎082(248)4321(代)
福岡サービスセンター	〒810 福岡市博多区中洲中島町3番8号	☎092(281)6868(代)
●消費者相談室	〒104 東京都中央区銀座西8丁目10番地	☎03(3572)6479

※日曜・祝日および土曜日は原則として休みます。ただし、年末年始を除きペンタックスフォーラム(新宿)は年中無休、ペンタックスフォーラム・大阪は日曜・祝日を休みます。

☆仕様および外観の一部を予告なく変更することがあります。

01-9101



Asahi Optical Co., Ltd. C.P.O. 895, Tokyo 100-91, JAPAN
Pentax Europe n.v. Weveldlaan 3-5, 1930 Zaventem, BELGIUM
Pentax Handelsgesellschaft mbH. Postfach 54 0169, 2000 Hamburg 54, GERMANY
Pentax U.K. Limited. Pentax House, South Hill Avenue, South Harrow, Middlesex HA2 0LT, U.K.
Pentax France Z.I. Argenteuil, 12, Rue Ambroise Croizat, 95100 Argenteuil, FRANCE
Pentax Nederland Spinveld 25, 4815 HR Breda, THE NETHERLANDS
Pentax (Schweiz) AG Industriestrasse 2, 8305 Dietlikon ZH, SWITZERLAND
Pentax Scandinavia AB Seminariegatan, 33, S-751 27 Uppsala, SWEDEN
Pentax Corporation 35 Inverness Drive East, Englewood, Colorado 80112, U.S.A.
Pentax Canada Inc. 3131 Universal Drive, Mississauga, Ontario L4X 2E5, CANADA
Asahi Optical Brasileira R. Capitão Antonio Rosa 376, Sala 121 Ed. PBK, São Paulo, BRAZIL

57003

Copyright © Asahi Optical Co., Ltd. 1991

01-9101 Printed in Hong Kong

Free Manuals Download Website

<http://myh66.com>

<http://usermanuals.us>

<http://www.somanuals.com>

<http://www.4manuals.cc>

<http://www.manual-lib.com>

<http://www.404manual.com>

<http://www.luxmanual.com>

<http://aubethermostatmanual.com>

Golf course search by state

<http://golfingnear.com>

Email search by domain

<http://emailbydomain.com>

Auto manuals search

<http://auto.somanuals.com>

TV manuals search

<http://tv.somanuals.com>