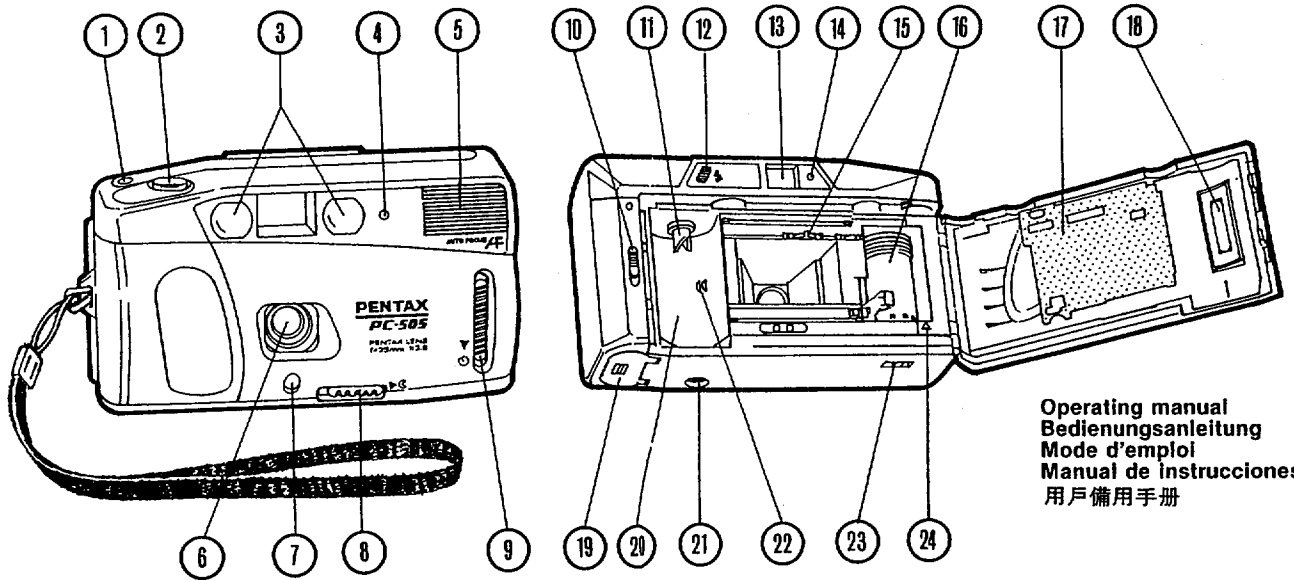


PENTAX®

PC-505 PC-505 DATE



DESCRIPTION OF PARTS

1. EXPOSURE COUNTER
2. SHUTTER RELEASE BUTTON
3. AUTOFOCUS WINDOWS
4. SELF-TIMER LAMP
5. BUILT-IN FLASH
6. LENS
7. LIGHT SENSOR WINDOW
8. LENS COVER RELEASE LEVER
9. SELF-TIMER LEVER
10. BACK COVER RELEASE LEVER
11. FILM REWIND SHAFT
12. FLASH READY LAMP
13. VIEWFINDER EYEPIECE
14. LOW LIGHT WARNING LAMP
15. SPROCKET TEETH
16. FILM TAKE-UP SPOOL
17. FILM PRESSURE PLATE
18. FILM INFORMATION WINDOW
19. BATTERY CHAMBER COVER
20. FILM CHAMBER
21. TRIPOD SOCKET
22. DX SENSING CONTACTS
23. REWIND BUTTON
24. FILM LOADING MARK

SPECIFICATIONS

FILM: Auto film-speed setting with 35mm perforated DX coded film with ISO rating from 100 to 400. 24x36mm format. Use color print films only.

LENS: 35mm F3.8, 3 elements 3 groups

VIEWFINDER: With Albada bright frame.

FOCUSING: Infrared active autofocus system. Range: 1.1m (3.6ft) — Infinity.

SHUTTER: Programmed AE behind the lens shutter. Electro-magnetic release.

EXPOSURE CONTROL: Programmed AE control. Range: EV10 — 15 (ISO 100), EV8 — 13 (ISO 400)

FILM LOADING: Easy loading

FILM TRANSPORT: Auto film winding and rewinding. Rewinding stops upon completion.

FLASH: Built-in auto discharge flash.

SELF-TIMER: Approx. 10-sec-delay self-timer with LED indicator.

BATTERIES: Two 1.5V AA size ALKALINE batteries (LR6 type). Ni-Cd batteries not usable.

DIMENSIONS: 124.5(W) x 71(H) x 50(D)mm

WEIGHT: 240g.

Specifications are subject to change without any obligation on the part of the manufacturer.

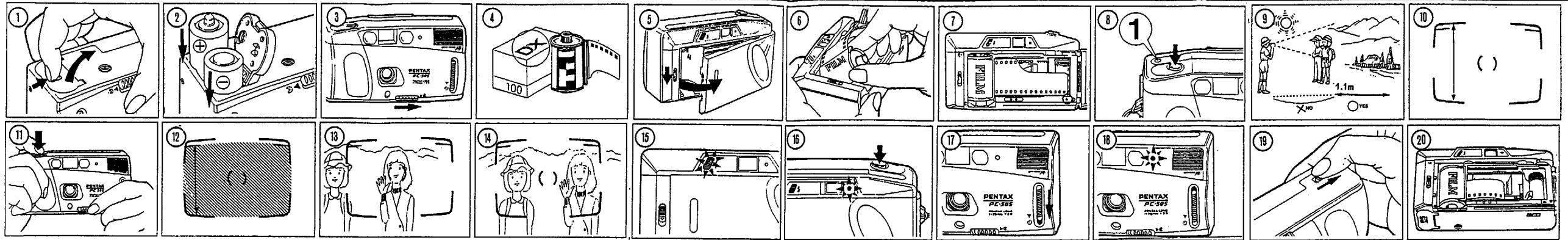
WARRANTY POLICY

All Pentax cameras purchased through authorized bona fide photographic distribution channels are guaranteed against defects of material or workmanship for a period of twelve months from date of purchase. Service will be rendered and defective parts will be replaced without cost to you within that period, provided the equipment does not show evidence of impact, sand or liquid damage, mishandling, tampering, battery or chemical corrosion, operation contrary to operating instructions, or modification by an unauthorized repair shop. The manufacturer or its authorized representatives shall not be liable for any repairs or alternations except those made with its written consent and shall not be liable for damages from delay or loss of use or for other indirect or consequential damages of any kind, whether caused by defective material or workmanship or otherwise; and it is expressly agreed that the liability of the manufacturer or its representatives under all guarantees or warranties, whether express or implied, is strictly limited to the replacement of parts as hereinbefore provided. No refunds will be made on repairs performed by non-authorized Pentax service facilities.

Procedure during 12-month Warranty Period

Any Pentax equipment which proves defective during the 12-month warranty period should be returned to the dealer from whom you purchased the equipment or to the manufacturer. If there is no representative of the manufacturer in your country, send the equipment to the manufacturer, with postage prepaid. In this case, it will take a considerable length of time before the equipment can be returned to you owing to the complicated customs procedures required in Japan for importing and re-exporting photographic equipment. If the equipment is covered by warranty, repairs will be made and parts replaced free of charge, and the equipment will be returned to you upon completion of servicing. If the equipment is not covered by warranty, regular charges of the manufacturer or of its representatives will apply. If your Pentax equipment was purchased outside of the country where you wish to have it serviced during the warranty period, regular handling and servicing fees may be charged by the manufacturer's representatives in that country. Notwithstanding this, Pentax equipment returned to the manufacturer will be serviced free of charge according to this procedure and warranty policy. In any case, however, shipping charges and customs clearance fees are to be borne by the sender. To prove the date of your purchase when required, please keep the receipts or bills covering the purchase of your equipment for at least a year. Before sending your equipment for servicing, please make sure that you are sending it to the manufacturer's authorized representatives or their accredited repair shops, unless you are sending it directly to the manufacturer. Always obtain a quotation of the service charge, and only after you accept the quoted service charge, instruct the service station to proceed with the servicing.

This warranty does not apply to Pentax products purchased in the U.S.A., U.K. or Canada. The local warranty policies available from Pentax distributors in those



Installing batteries (Fig. 1, 2)

Open the battery chamber cover (19) and insert two "AA" size fresh ALKALINE batteries into the battery chamber with their polarities aligned as indicated.

CAUTION: DO NOT USE NI-CD BATTERIES.

Lens cover (Fig. 3)

Open the lens cover fully by sliding the lens cover release lever (8).

NOTE: AS THE RELEASE LEVER IS THE POWER SWITCH AS WELL, ALWAYS CLOSE THE LENS COVER WHEN THE CAMERA IS NOT IN USE.

Film speed (Fig. 4)

Film speed is automatically set with 35mm DX coded film with ISO rating from 100 to 400. If non-DX coded film is loaded, the film speed is set at ISO 100 no matter what the film speed is.

Loading film (Fig. 5, 6, 7, 8)

Open the back cover by pushing the back cover release lever (10) down. Place the film cartridge into the film chamber (20) as shown in the Fig. 6. Pull the film leader out to reach the film take-up spool (16) and align the tip of the film with film loading mark (24). Make sure to align the holes on the edge of the film leader with the sprocket teeth (15). After closing the back cover, depress the shutter release button (2) until the number "1" appears on the exposure counter. If the exposure counter does not count, the film is not properly loaded. Reload the film.

Taking pictures (Fig. 9, 10, 11, 12)

The effective focusing range is from 1.1m (3.6ft) to infinity. Compose the subject within the outer bright frame in the viewfinder and bring the autofocus frame () on the main part of your subject and depress the shutter release button gently. After the shutter is released, the motor will automatically advance the film and cock the shutter for the next picture. For subject from 1.1m(3.6ft) to 2.5m(8.2ft), compose your picture within the inner bright frame.

NOTE: MAKE SURE NOT TO BLOCK THE AUTOFOCUS WINDOW (3), BUILT-IN FLASH (5), LENS (6) AND LIGHT SENSOR WINDOW (7) WITH YOUR FINGERS OR HAIRS, ETC., WHILE SHOOTING.

Focus-lock (Fig. 13, 14)

When the subject is off the autofocus frame, first bring the autofocus frame () to the main part of one of the subjects. As you keep depressing the shutter release button half-way, the focus will be locked. Re-compose your picture within the bright frame and depress the shutter release button all the way.

Auto flash (Fig. 15, 16)

The camera starts charging the built-in flash whenever the lens cover is open, and the flash ready lamp (12) glows. This is for automatic discharge under poor lighting conditions. As you depress the shutter release button in a dimly-lit place, the low light warning lamp (14) glows and the flash is set for discharge. Make sure to release the shutter after confirming the flash ready lamp. The flash effective range is from 1.1m (3.6ft) to 3.5m (11.5ft) (ISO 100-400).

NOTE: WHEN THE CHARGING TIME BECOMES MORE THAN 15 SEC. OR THE SHUTTER IS LOCKED, PLEASE REPLACE THE BATTERIES. THE FLASH READY LAMP KEEP GLOWING AS FAR AS THE FLASH IS CHARGED, EVEN AFTER THE LENS COVER IS CLOSED.

Self-timer photography (Fig. 17, 18)

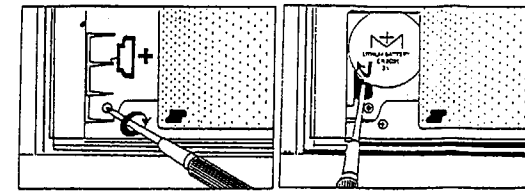
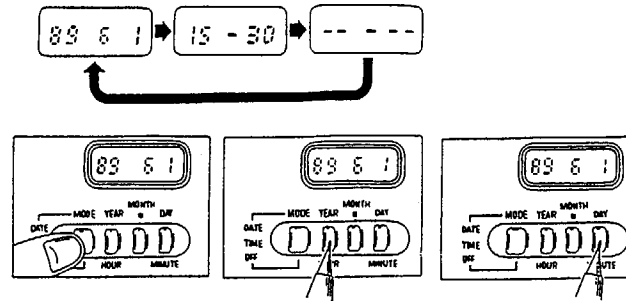
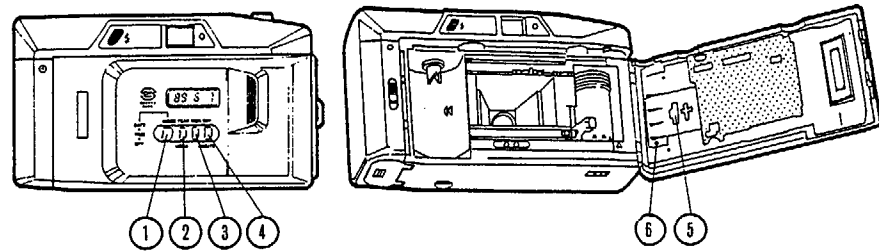
Mount the camera to a tripod or put it on a flat table, etc. and push the self-timer lever (9) down. Depress the shutter release button after composing your picture. (When the subject is off the autofocus frame, use the focus-lock technique.) Self-timer lamp (4) glows about 10 seconds and then the shutter will be released. Should you need to cancel the Self-timer after it has been started, close the lens cover and reset the Self-timer lever.

NOTE: MAKE SURE TO RESET THE SELF-TIMER LEVER AFTER TAKING SELF-TIMER PICTURES. OTHERWISE SELF-TIMER WILL CONTINUE TO OPERATE.

Unloading the film (Fig. 19, 20)

When you have exposed the last frame, the motor stops automatically and the shutter release button will not release the shutter. Keep pushing the rewind button (23) on the bottom of the camera, and the motor automatically stops. Make sure to confirm the exposure counter has returned to "S" before opening the back cover and take out the film cassette.

DATABACK OPERATION (PC-505 DATE)



NOTE: THIS IS APPLICABLE TO THE PC-505 DATE MODEL ONLY.

1. Mode Button
2. Year/Hour Button
3. Month Button
4. Day/Minute Button
5. Battery cover
6. Battery cover fixing screw

This camera is equipped with a LCD Data Back which allows you to print date or time directly onto each picture. Your Data Back has three modes of operation.

- A: Date: Year-Month-Day printed on each picture
- B: Time: Hour and Minute printed on each picture
- C: Off: LCD shows "----". No data is printed.

SETTING DATA

To switch between modes, push the Mode Button (1). To set Year-Month-Day, switch to the Date Mode and push each respective control buttons (2), (3), (4) until the desired data is displayed. The control buttons can be pressed by using ball-point pens or a fine pointed device. To set Hour and Minute, switch to the Time Mode and push each respective control button (3) and (5) until the desired data is displayed. If you do not desire any data printed on your pictures, switch to the Off Mode which can be confirmed by a series of dashes (----). The dashes will not be printed on the picture.

BATTERY

The data back is powered by one CR2025 3V Lithium battery. When the displays on the LCD are not seen clearly, remove the Battery Cover (5) by removing the Battery cover fixing screw (6). And replace the battery with the new one ensuring that the polarities are correctly set.



Asahi Optical Co., Ltd. C.P.O.895, Tokyo 100-91, JAPAN
Pentax Europe n.v. Weiveidlaan 3-5, 1930 Zaventem, BELGIUM
Pentax Handelsgesellschaft mbH. Postfach 54 0169, 2000 Hamburg 54, WEST GERMANY
Pentax U.K. Limited. Pentax House, South Hill Avenue, South Harrow, Middlesex HA2 0LT, U.K.
Pentax France Z.I. Argenteuil, 12, Rue Ambroise Croizat, 95100 Argenteuil, FRANCE
Pentax Nederland Spinveld 25, 4815 HR Breda, THE NETHERLANDS
Pentax (Schweiz) AG Industriestrasse 2, 8305 Dietlikon ZH, SWITZERLAND
Pentax Scandinavia AB Box 650, S-751 27 Uppsala, SWEDEN
Pentax Norge A.S. Cecilie Thoresens Vei 11, Lambertseter, 1101 Oslo 11, NORWAY
Pentax Corporation 35 Inverness Drive East, Englewood, Colorado 80112, U.S.A.
Pentax Canada Inc. 3131 Universal Drive, Mississauga, Ontario L4X 2E5, CANADA
Asahi Optical Brasileira R. Capitão Antonio Rosa 376, Sala 121 Ed. PBK, São Paulo, BRAZIL

57056

03-07/89
Printed in Japan

Free Manuals Download Website

<http://myh66.com>

<http://usermanuals.us>

<http://www.somanuals.com>

<http://www.4manuals.cc>

<http://www.manual-lib.com>

<http://www.404manual.com>

<http://www.luxmanual.com>

<http://aubethermostatmanual.com>

Golf course search by state

<http://golfingnear.com>

Email search by domain

<http://emailbydomain.com>

Auto manuals search

<http://auto.somanuals.com>

TV manuals search

<http://tv.somanuals.com>