

# INSTALLATION AND OPERATION INSTRUCTIONS SINGLE KEG BEER DISPENSER

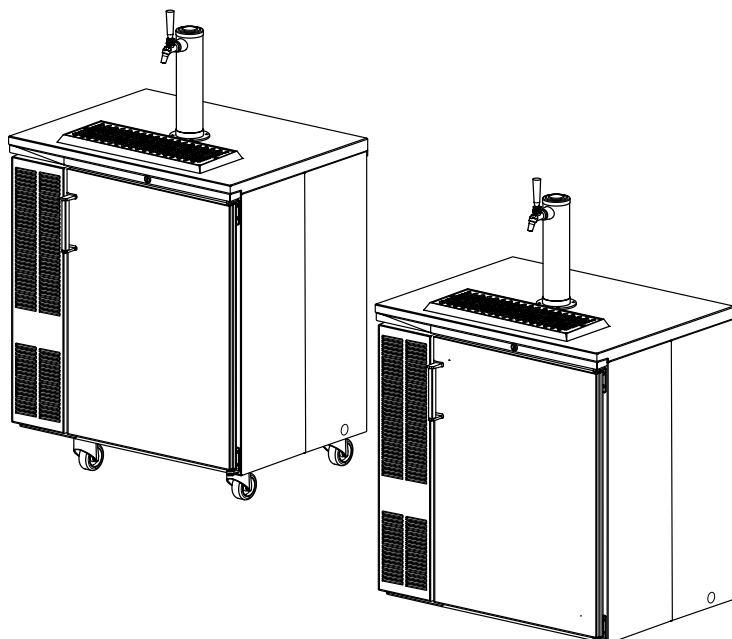
## MODEL NOS.

DP32S

DS32S



ANSI / NSF #7



### IMPORTANT INFORMATION

A Warranty card is enclosed that must be filled out and mailed to the Perlick Corporation in order to register the warranty. If the card is not returned to Perlick, the warranty period will begin from the date the equipment is shipped from the factory.

This manual has been prepared to assist you in the installation of your Single Keg Dispenser and to acquaint you with its operation and maintenance.

We dedicate considerable time to ensure that our products provide the highest level of customer satisfaction. If service is required, your dealer can provide you with a list of qualified service agents. For your own protection, never return merchandise for credit without our approval.

We thank you for selecting a Perlick product and assure you of our continuing interest in your satisfaction.

**WARNING: When lifting, the full weight of the cabinet must be supported. Lift from the cabinet base and not from the top. Improper lifting can result in severe damage to the cabinet.**

### Table of Contents

#### PREPARING THE CABINET FOR USE

Specifications.....	2
List of Included Parts.....	3
Tools Required.....	3
Plumbing.....	3
Electrical.....	3
Uncrating.....	3
Installing Casters.....	3
Placing the Cabinet.....	3
Leveling the Cabinet.....	3
Installing Faucet and Dispensing Head.....	3

#### TAPPING

Connecting the Keg Coupler.....	4
Tapping the Keg.....	4
Connecting the Regulator.....	4
Adjusting Gas Flow.....	4
CO <sub>2</sub> Leak Test.....	5
Replacing a CO <sub>2</sub> Gas Cylinder.....	5
Handling CO <sub>2</sub> Gas.....	5

#### TEMPERATURE

Beer Temperature.....	6
Refrigeration and Temperature Control.....	6
Adjusting the Temperature.....	6

#### CLEANING

Cleaning the Beer System.....	7
Cleaning the Cabinet.....	7
Cleaning the Condenser.....	7
Condenser.....	7

#### GENERAL INFORMATION

How to Pour a Perfect Glass of Beer.....	8
Troubleshooting.....	9
REPLACEMENT PARTS.....	10-11
Wiring Diagram.....	12

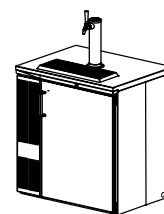
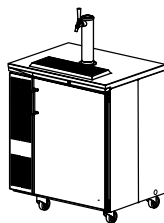


8300 West Good Hope Road • Milwaukee, WI 53223 • Phone 414-353-7060 • Fax 414-353-7069  
Toll Free 800-558-5592 • E-Mail: Perlick@Perlick.com • www.Perlick.com

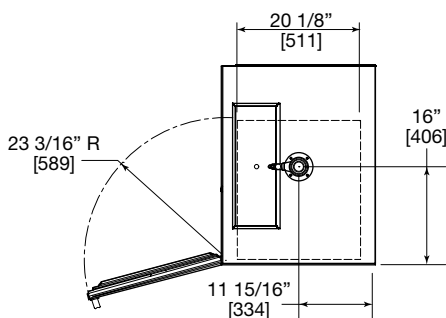
Form No. Z2268

# Installation and Operating Instructions

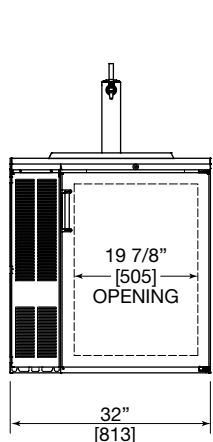
## Sizes and Specifications, Single Keg Beer Dispensers



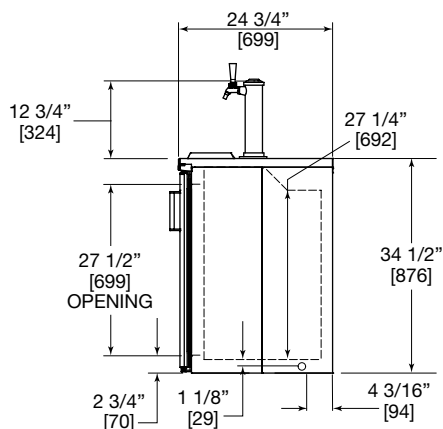
MODEL NUMBERS	DP32S	DS32S
CABINET STYLE	Portable	Underbar
HALF BARREL CAPACITY	1 Keg	1 Keg
AMPS	2.7	2.7
SHIP WT lbs. (kg)	222 (101)	216 (98)
INTERIOR	<b>Door Pan &amp; Ceiling:</b> High strength polystyrene. <b>Door Sill:</b> High strength polyethylene. <b>Floor Pan:</b> Stainless steel. <b>Walls:</b> Galvanized steel.	
EXTERIOR	Stainless steel top, back, sides and front. Galvanized bottom. Condensing unit grille stainless steel. Decorative handle. Right hinged door standard from factory. Door hinging is field reversible.	
REFRIGERATION	R-134a capillary tube-type. Aluminum fin and copper tube evaporator coil. Adjustable temperature control. Self-defrosting.	
VENTILATION	Front ventilated.	
ELECTRICAL	115 Volt, 60 Hz., 1 Phase AC. Furnished with three-prong, six foot NEMA 5-15P cord. Contact Perlick-Milwaukee for other voltage/frequency requirements.	
PLUMBING	3/4" NPT drain exits out right end or 1" NPS out bottom.	
OPTIONAL ACCESSORIES	• Leg Set	• Caster Sets



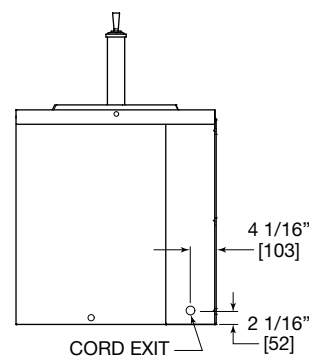
TOP VIEW



FRONT VIEW



END VIEW



BACK VIEW



Perlick is committed to continuous improvement. Therefore, we reserve the right to change specifications without prior notice.

# Preparing the Cabinet for Use – Single Keg Beer Dispensers

## Parts List

- Casters\* .
- Faucet Standard.
- Faucet Head Assembly.
- Spanner Wrench for Faucet.
- Black Connector Hose  $\frac{3}{16}$ " x 3'.
- $\frac{5}{16}$ " Air Hose.
- Bag of Miscellaneous Parts.
- Plastic Waste Bottle.\*

\* Portable Model Only.

## Suggested Tools

- #2 Phillips Screwdriver.
- Spanner Wrench (included).
- 10" Crescent Wrench.
- $\frac{9}{16}$ " Allen Wrench.
- $\frac{5}{16}$ " and  $\frac{3}{8}$ " Hex Socket.
- Power drill or driver.

## Plumbing

### Portable Model

No plumbing connections are required. Condensate from the cooling coil is automatically evaporated. Drain pan waste is accumulated in the plastic bottle installed inside the cabinet.

### Underbar Model

Features a floor drain with a  $\frac{3}{4}$ " female pipe thread connection for disposal of both condensate and drip pan waste. Remove bottom 1" NPS or side  $\frac{3}{4}$ " drain plug attach male pipe to create external drain.

## Electrical

The cabinet must be connected to a separately fused power source (see electrical specification plate) and grounded in accordance with National and Local Electrical Codes. Caution: Do not attempt to operate the equipment on any other power source than that listed on the Electrical Specification plate.

## Uncrating and Inspection

Remove all crating material before operating. Carefully inspect cabinet for hidden damage. If damage is discovered, file your claim immediately with the transportation company. Perlick is not responsible for damage in transit.

## Installing Casters (Portable Models Only)

Attach four casters to the cabinet bottom; rigid casters at the rear and swivel casters on the front. Use the supplied  $\frac{1}{4}$ "- 20 x  $\frac{3}{4}$ " hex head self-tapping machine screws.

## Placing the Cabinet

Push the cabinet into place using rollers when necessary. Important: Proper air flow around the condensing unit is necessary for efficient operation. Never obstruct the air flow in and out of the condensing unit.

## Leveling the Cabinet

When the cabinet is in place, check installation with carpenter's level. When perfectly level, accumulated water will drain out. A slight pitch to the drain side will not harm the cabinet. Water may accumulate if cabinet is pitched to the opposite side.

## Installing the Faucet and Dispensing Head

Before you begin: Wash dispensing head and faucet. Flush beer, dispensing head and faucet lines with fresh water.

- Apply RTV around the base of the dispensing head to seal it to the top. Align the dispensing head over the five holes on the cabinet top and use the five stainless steel #10-32 x  $\frac{1}{4}$ " Phillips pan head stainless steel machine screws to secure standard to cabinet top. Wipe off excess RTV to complete the seal.
- Attach faucet to standard using spanner wrench to tighten coupling. Attach faucet handle to faucet.
- Insert flexible plastic air hose six to seven inches into bottom of faucet standard. Secure hose with tie wrap (supplied).

## WARNING!

*To avoid compressor damage, after returning cabinet to an upright position, let unit stand for 24 hours before plugging it in and running the unit.*

# Installation and Tapping – Single Keg Beer Dispensers

## Connecting the Keg Coupler (when Supplied by Perlick)

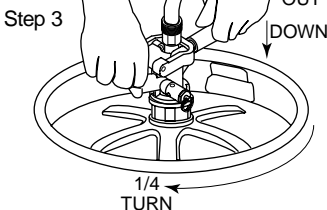
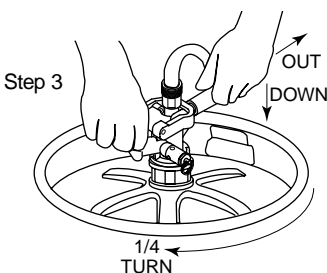
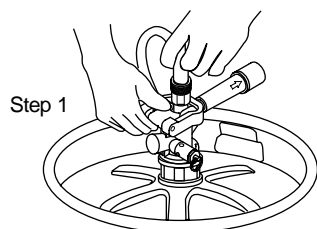
- Place one brown leather washer into black beer line connector hose on hex nut side. Screw connector to stainless steel beverage line on faucet standard. Tighten with a wrench, but do not over tighten.
- Make sure lever handle on the keg coupler is in the **UP** (untapped) position. Place one brown leather washer into wing nut end of black beer line connector hose and thread onto top of keg coupler. Hand tighten.
- Place clamp on one end of red air line. Push end over air valve located inside cabinet. Tighten clamp with screwdriver. Turn shut-off valve to **OFF** (horizontal) position.
- Place clamp on the other end of red air line and push over tailpiece on coupler. Tighten clamp with screwdriver.

**CAUTION:** Do not use keg coupler as a handle to lift keg.

## Tapping a Single Valve Keg (Sankey):



Single Valve Keg Coupler

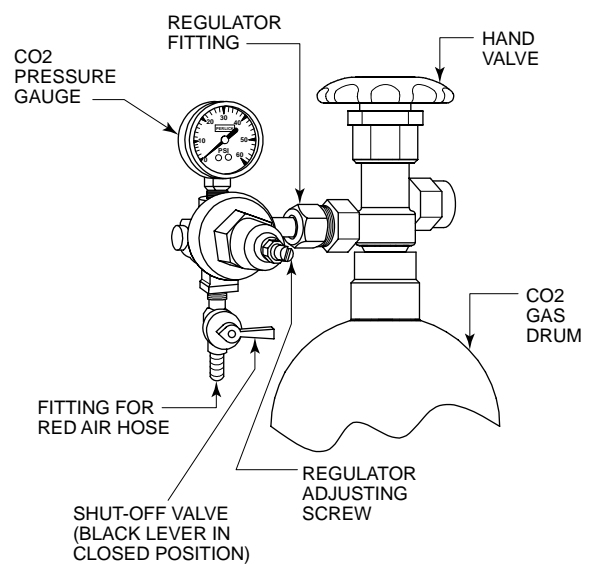


- Be sure beer faucet is in closed position.
- Align keg lugs with lug openings on bottom of coupler.
- Turn clockwise  $\frac{1}{4}$  turn. Pull handle out and down. Keg is now tapped.
- Open shut-off valve on air distributor located inside of the cabinet.

**Important:** Be sure to close this valve when untapping keg.

## Connecting the Regulator to the CO<sub>2</sub> Cylinder

- Remove blue plug from regulator fitting. (Note: Do not remove the carbonic washer).
- Screw regulator onto gas cylinder valve. Tighten with wrench until vertically straight. Be sure that shut-off valve (**black lever**) on regulator is in the **OFF (horizontal)** position.
- Place a screw clamp over end of red air line and push onto regulator tailpiece. Tighten clamp with a screwdriver.



## Adjusting the CO<sub>2</sub> Gas Flow

- Turn regulator adjusting screw counterclockwise until it turns freely.
- Turn hand valve counterclockwise on CO<sub>2</sub> cylinder to the fully open position.
- Turn regulator adjusting screw clockwise until desired pressure is reached (approximately 12-15 lbs.). Tighten stop nut on adjusting screw.
- Open shut-off valve on bottom of regulator.



# Installation and Tapping – Single Keg Beer Dispensers

---

## **CO<sub>2</sub> Leak Test**

---

Dilute a small amount of liquid dishwashing soap and rub the soapy mixture around each connection. If bubbles appear, tighten connection.

## **Replacing CO<sub>2</sub> Gas Cylinder**

- Turn CO<sub>2</sub> hand valve clockwise until seated and close shut-off valve on regulator.
- Unscrew regulator from cylinder fitting.
- Replace carbonic washer (Part No. 157F2P), if needed and reattach regulator to filled cylinder.
- Turn CO<sub>2</sub> hand valve counterclockwise until fully open. Turn regulator shut-off valve to open position.
- Adjust CO<sub>2</sub> gas flow as required, turning clockwise for higher pressure.

## **Proper CO<sub>2</sub> Handling**

---

### **ALWAYS...**

- Connect a regulator (reducing valve) to CO<sub>2</sub> cylinder.
- Secure cylinder in upright position whether in storage or in use.
- Keep cylinder away from heat. Rupture disc vents at 122° F. maximum.
- Ventilate room after high pressure gas leakage.
- Check the last DOT test date on cylinder neck before filling. If more than five years old, the cylinder must be retested to DOT specifications.
- Be sure CO<sub>2</sub> cylinder outlet fitting is free of dust

or dirt before attaching regulator.

- Store CO<sub>2</sub> cylinder and regulator assembly upright.
- Allow only properly trained and experienced personnel to handle high pressure gas.

### **NEVER...**

- Connect cylinder directly to a keg without a regulator (reducing valve).
- Drop or throw regulator or CO<sub>2</sub> cylinder.
- Transport CO<sub>2</sub> cylinder in a closed vehicle.
- Apply oil to a regulator.
- Shut off CO<sub>2</sub> cylinder when not in use. You will not save gas by doing so!
- Allow untrained, inexperienced personnel to handle high pressure gas.

**Failure to heed this warning could result in personal injury or death.**

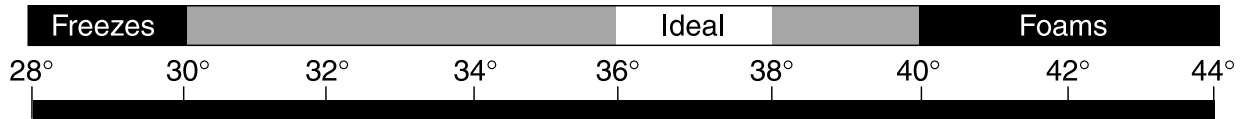
# Draft Beer Information – Single Keg Beer Dispensers

## Temperature

One of the most common causes of dispensing problems is improper temperature. Draft beer should be stored at a temperature between 32° and 38°. At warmer temperatures, beer will foam.

At temperatures lower than 30° F., beer will freeze. When beer freezes, the alcohol in the beer may separate and cause the beer to be cloudy with an “off” taste.

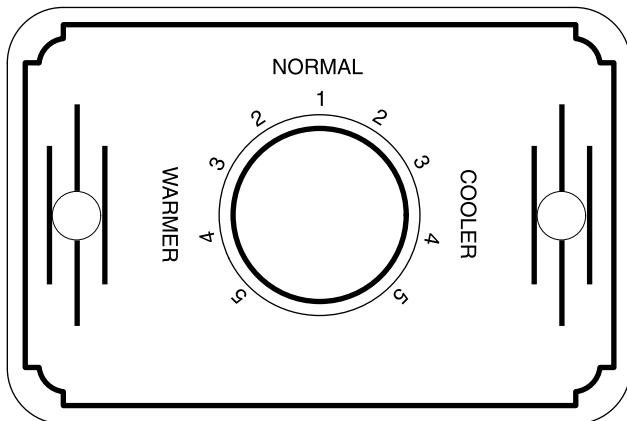
### HOW TEMPERATURE AFFECTS DRAFT BEER



Draft beer is not pasteurized and must be kept cool at all times.

## Refrigeration and Temperature Control

The Partymaster Dispenser is equipped with a heavy-duty refrigeration system designed to automatically maintain a storage temperature of 36-41 degrees F. The control is factory set at 38 degrees F.



## Adjusting the temperature

The temperature control is inside the cabinet on the right-hand side of the evaporator fan panel assembly. You will need a screwdriver to turn the adjusting screw. Make small adjustments until the desired temperature is achieved.

- **Colder Temperatures:**  
Turn the adjusting screw clockwise (to the right).
- **Warmer Temperatures:**  
Turn the adjusting screw counterclockwise (to the left).

In normal operation the condensing unit will turn on and off, depending on the cooling load required. The condenser fan motor turns off and on with the condensing unit. The evaporator fan motor runs continuously. The fan motors are lifetime lubricated and will require no oiling.

### NOTE:

Cabinet Temperatures lower than 34° will not allow for proper defrosting of the evaporator coil. If defrosting is necessary, turn the control knob to the OFF position until coil is defrosted.

# Cleaning the Beer System – Single Keg Beer Dispensers

The entire beer system, to include the faucet, flexible beer line and tapping devices must be cleaned at regular intervals. We recommend flushing the entire system with fresh water immediately after a keg has been emptied. Once each month the system should be cleaned chemically.

It is recommended that you purchase Perlick's Pump Type Sterilizer, as shown below. It is equipped with an adapter that attaches directly to the faucet shank in lieu of the faucet. It is also available with a slip coupling for those who choose to clean their faucets in place.

Part Nos.	Description
887P	½ Gallon sterilizer w/faucet coupling.
887PSC	½ Gallon sterilizer w/slip coupling.
848A33	33 oz. liquid alkaline cleaner.



No. 887P

Cleaning the draft beer system will help to eliminate the build-up of the following materials:

- **Bacteria:**

Beer is an excellent food for bacteria (none of which is harmful). Proper conditions may begin the growth of bacteria in draft beer and on the beer faucet. By regular cleaning, we prevent this bacterial buildup and maintain the quality of the draft beer. Greenish or yellowish colored material on the faucet may indicate bacterial growth.

- **Yeast:**

All domestic draft beers contain a small amount of yeast which remains in the beer from the fermentation process. When the temperature of draft beer exceeds 50° a process of secondary fermentation may take place. The beer faucet may exhibit a white colored substance (yeast build up) if not cleaned on a regular basis.

- **Beer Stone:**

All beer contains calcium which is present from the grains used in the brewing process. It is an important natural material in draft systems in that as it oxidizes it coats the internal parts of the beer lines and equipment. This thin coat of beer stone helps prevent the beer from picking up strong metallic or plastic flavors as it flows through the system. The beer stone will continue to build if the system is not cleaned properly or regularly and can cause drawing problems if it begins to flake off. Beer stone is present if one can see a brownish color on the faucet or inner wall of the beer line, or tobacco-like flakes in the beer.

## Cleaning the Cabinet

Use a mild detergent and water to clean the inside and outside of the cabinet. Dry thoroughly. Never use a scouring pad or abrasive cleanser.

**NOTE:** An industrial strength, commercial cleaner can be used to clean the outside of painted cabinets.

## Cleaning the Condenser

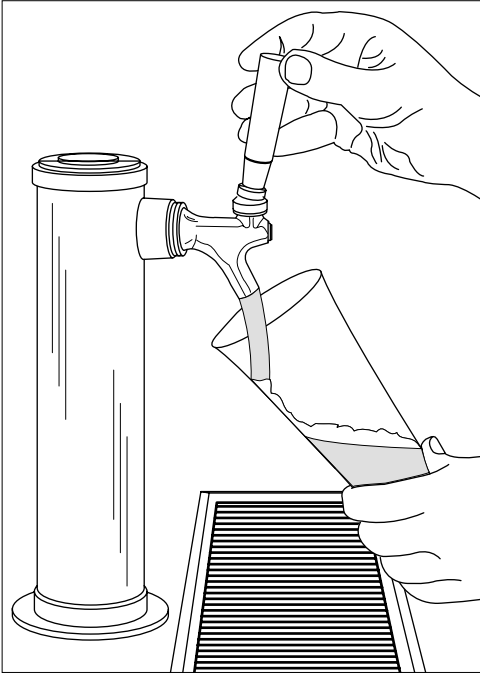
Use a long handled, stiff brush to clean the dirt from the front surface of the condenser. Keeping the condenser free from dust and dirt will ensure efficient operation.

**CAUTION:** Do not bend the fins while brushing the front of the condenser.

## Condenser

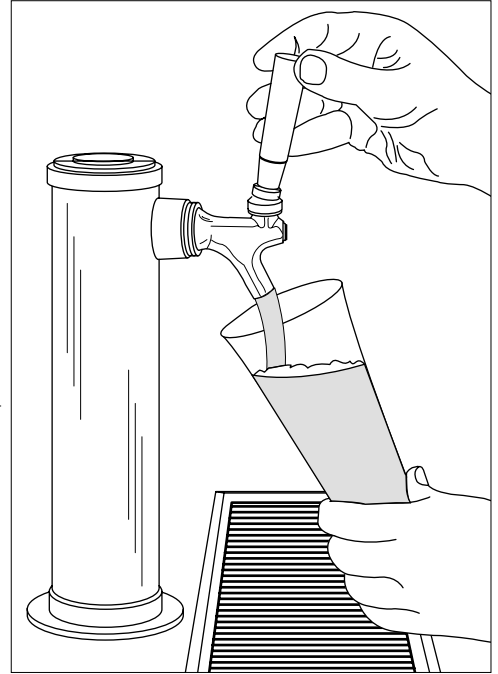
The condenser (located behind the back cover) should be inspected every 30 days and cleaned, if necessary. Failure to keep the condenser clean will cause a loss in condensing unit efficiency.

# Pouring a Perfect Glass of Beer – Single Keg Beer Dispensers



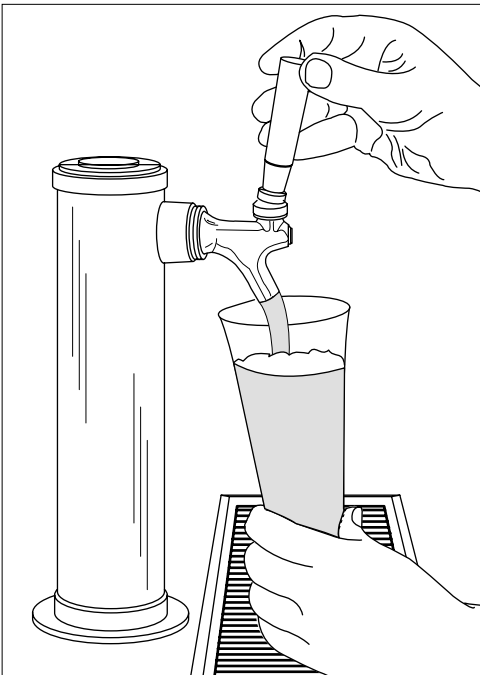
## STEP 1

Start with a clean glass. Place the glass at a 45° angle, one inch below faucet. Do not let the glass touch the faucet. Open the faucet all the way.



## STEP 2

After the glass has reached half full, gradually bring the glass to the upright position



## STEP 3

Let the remaining beer run straight down the middle of the glass. This ensures proper release of CO<sub>2</sub> by producing a ¾" to 1" foam head.



## STEP 4

Close the faucet quickly and completely.



# Trouble Shooting – Single Keg Beer Dispensers

## Beer Service Problems

### ■ Wild Beer:

Dispensed beer has either too much foam or is all foam.

#### CAUSES:

- Beer has been dispensed improperly.

**Solution:** See pouring instructions on page 8.

- Regulator pressure is set too high.
- Warm keg temperature.

**Solution:** Keg must be colder than 40°. Target temperature is between 36° and 38° F.

- Cabinet door is opened and closed frequently and temperature is warmer than 38° F.

**Solution:** Adjust temperature to between 36° and 38° F.

- Kinks, dents or obstructions in the line.
- Using oddly shaped glasses. Frosted, waxed or styrofoam containers may cause foaming.
- Dispenser has been turned off for a long period of time.
- Faucet is bad, dirty or in a worn condition.
- Regulator malfunction.

### ■ Flat Beer:

Foamy head disappears quickly; beer lacks brewery fresh flavor.

#### CAUSES:

- Dirty glassware.
- CO<sub>2</sub> pressure is too low, due to leak or pressure setting.
- CO<sub>2</sub> is turned off at night.
- Cooler is too cold.
- CO<sub>2</sub> leak or defective (sticking) check valve.
- Sluggish CO<sub>2</sub> regulator.

### ■ Cloudy Beer:

Beer in glass appears hazy, not clear.

#### CAUSES:

- Dirty glass.
- Dirty faucet or beer line.
- Frozen or nearly frozen beer.
- Old beer.
- Beer that has not been refrigerated for a long period of time.

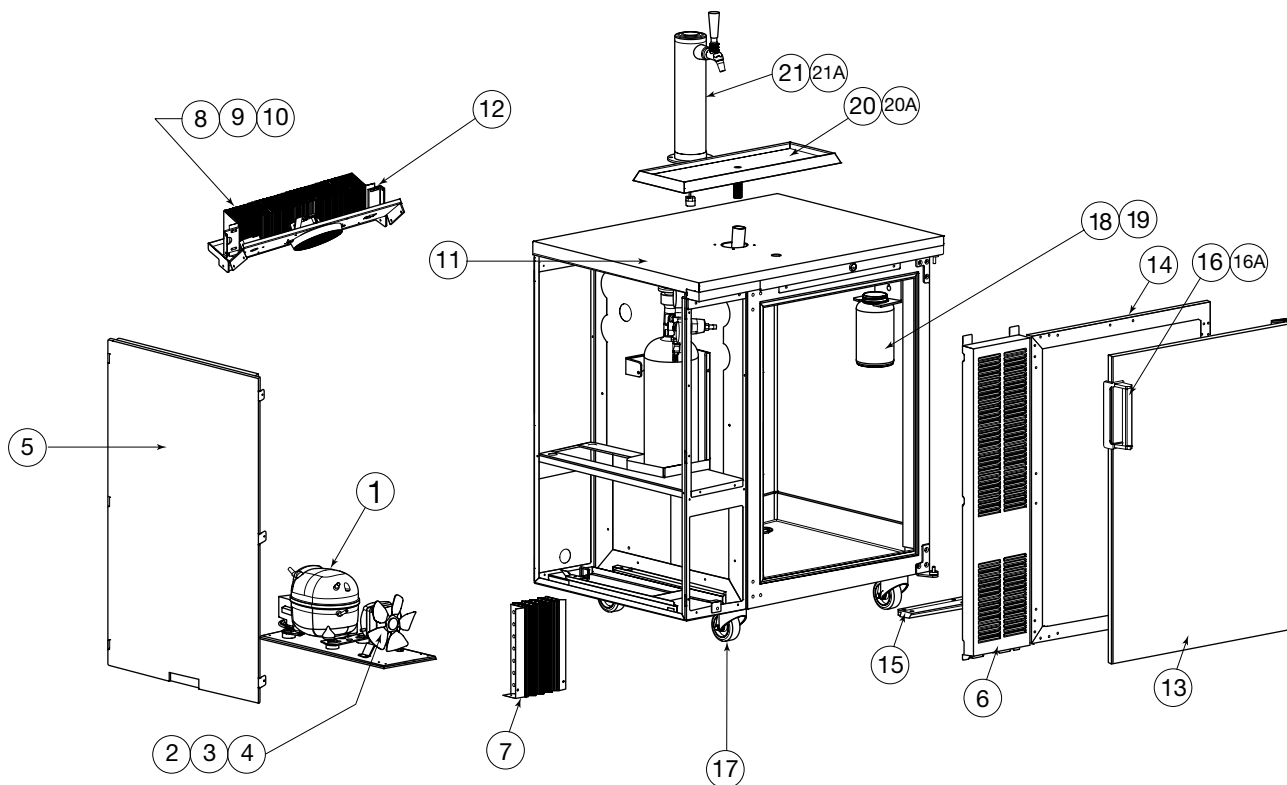
## Beer and CO<sub>2</sub> Facts

Keg Size	No. of Gallons	No. of Oz.	No. of Cases	No. of 12Oz. Servings	Full Keg Weight
Quarter	7¾	992	3.445	105	87 lbs.
Half	15½	1,984	6.889	210	161 lbs.

- Beer foam is 25% liquid beer and 75% CO<sub>2</sub> gas. Don't waste it!
- Most people prefer beer stored at 38° F.
- Beer lines and faucets require regular cleaning (see cleaning instructions on page 7).
- A fully-charged 4.2 lb. CO<sub>2</sub> cylinder will dispense approximately 5½ to 6½ half barrels.
- CO<sub>2</sub> gas gives beer its sparkling effervescence. It also gives beer its creamy head of foam.

# Replacement Parts – Single Keg Beer Dispensers

MODEL NOS.		DP32S & DS32S
Item	Description	Part #s
1	Compressor for R134a	63778
2	Condenser fan motor	63807
3	Condenser fan motor bracket	65166-1
4	Condenser fan blade	63808
5	Side panel	66215-1SS
6	Front grille	66210-8SS
7	Condenser	65528
8	Evaporator fan blade - 4"	63461
9	Evaporator fan motor	C15239A
10	Evaporator assembly - complete	66295
11	Top assembly	66230-32T
12	Temperature control	61271
13	Door assembly	66256-1
14	Magnetic door gasket	66237-4
15	Door sill	65500-1
16	Door handle	C31409-1
16A	Door handle bracket	65189-1
17	Swivel caster	57788
18	Waste bottle	C24392-1
19	Waste bottle holder	65524-1
20	Drip pan assembly	65507
20A	Drain insert	65510-1
21	Dispensing head draft arm complete w/ Faucet	63251
21A	Faucet	408X
<b>Parts Not Shown on Drawing</b>		
	Wiring harness	
	Power cord	65531
	Top evaporator	65532
	Top	65532
	Liquid and Suction line assembly	65529

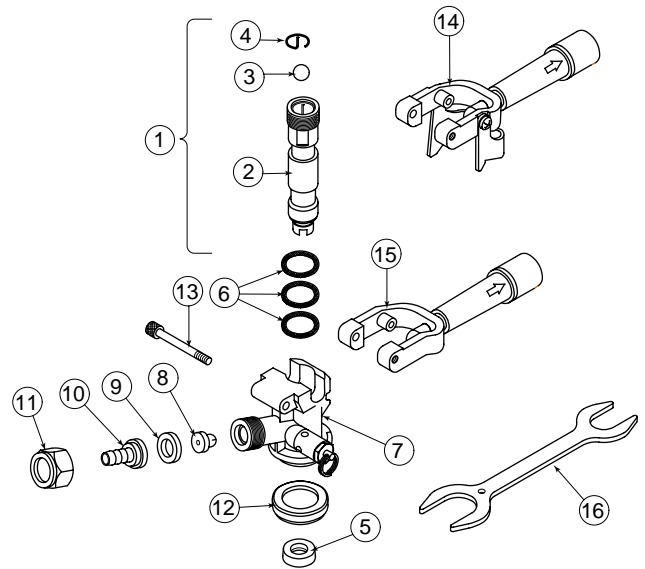


Perlick is committed to continuous improvement. Therefore, we reserve the right to change specifications without prior notice.

# Replacement Parts – Single Keg Beer Dispensers

## For Single Valve Keg Coupler (Series D)

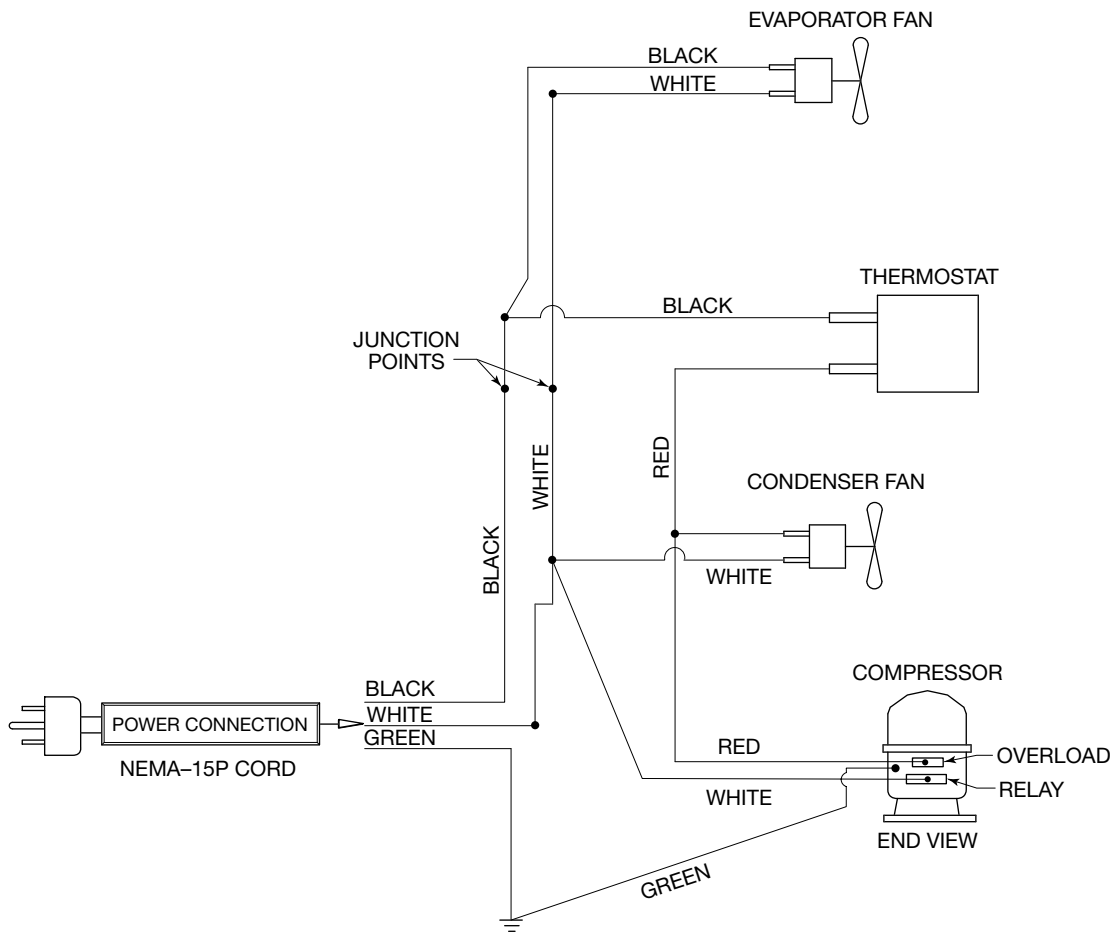
Item No.	Part No.	Description
1	32499	Probe assembly
2	F40184	Probe body
3	31080-2P	Ball
4	43641-1	Ball retainer
5	31087-2P	Probe washer
6	31089	“O” Ring - 3-per assembly
7	43061	Body
8	23682-2P	Check valve
9	157R2P	Washer
10	206B-1	Tailpiece
11	2026	Coupling nut
12	31088-2P	Bottom seal washer
13	31084-1	Retaining screw
14	43002A	Yoke assembly w/lock
15	43001A	Yoke assembly standard
16	32474-1	Wrench



## Miscellaneous

Part No.	Description
157L2P	Beer line connector gasket
57F2P	CO <sub>2</sub> tank washer
1392R	Red air hose
529	Beer hose
2928D	Twin gauge CO <sub>2</sub> regulator

# Wiring Diagram – Single Keg Beer Dispensers



8300 West Good Hope Road • Milwaukee, WI 53223 • Phone 414-353-7060 • Fax 414-353-7069  
Toll Free 800-558-5592 • E-Mail: [Perlick@Perlick.com](mailto:Perlick@Perlick.com) • [www.Perlick.com](http://www.Perlick.com)

Perlick is committed to continuous improvement. Therefore, we reserve the right to change specifications without prior notice. Form No. Z2268

## Free Manuals Download Website

<http://myh66.com>

<http://usermanuals.us>

<http://www.somanuals.com>

<http://www.4manuals.cc>

<http://www.manual-lib.com>

<http://www.404manual.com>

<http://www.luxmanual.com>

<http://aubethermostatmanual.com>

Golf course search by state

<http://golfingnear.com>

Email search by domain

<http://emailbydomain.com>

Auto manuals search

<http://auto.somanuals.com>

TV manuals search

<http://tv.somanuals.com>