

INSTALLATION AND OPERATION INSTRUCTIONS

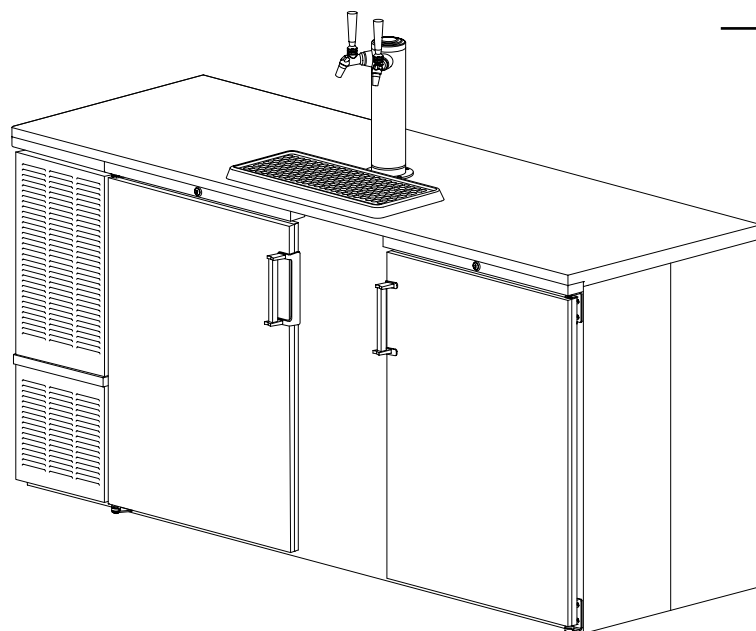
DIRECT DRAW DISPENSER - SELF-CONTAINED MODELS

MODEL NOS.

DS Series



ANSI / NSF #7



IMPORTANT INFORMATION

Fill out the enclosed warranty card and mail to the Perlick Corporation to register the warranty. If the card is not returned, the warranty period will begin from the date the equipment is shipped from the factory.

This manual has been prepared to assist you in the installation of your Direct Draw Dispenser and to acquaint you with its operation and maintenance.

We dedicate considerable time to ensure that our products provide the highest level of customer satisfaction. If service is required, your dealer can provide you with a list of qualified service agents. For your own protection, never return merchandise for credit without our approval.

We thank you for selecting a Perlick product and assure you of our continuing interest in your satisfaction.

WARNING: When lifting, the full weight of the cabinet must be supported. Lift from the cabinet base and not from the top. Improper lifting can result in severe damage to the cabinet.

Table of Contents

PREPARING THE CABINET FOR USE	
Specifications.....	2
List of Included Parts.....	3
Tools Required.....	3
Plumbing.....	3
Electrical.....	3
Installing Casters or Legs.....	3
Installing Faucet and Dispensing Head.....	3
TAPPING	
Connecting the Keg Coupler.....	4
Tapping the Keg.....	4
Connecting the Regulator.....	5
Adjusting Gas Flow.....	5
CO ₂ Leak Test.....	5
Replacing a CO ₂ Gas Cylinder.....	5
Handling CO ₂ Gas.....	5
TEMPERATURE	
Beer Temperature.....	6
Refrigeration and Temperature Control.....	6
CLEANING	
Cleaning the Beer Lines.....	7
Cleaning the Cabinet.....	7
GENERAL INFORMATION	
How to Pour a Perfect Glass of Beer.....	8
Troubleshooting.....	9
Beer Facts.....	9
REPLACEMENT PARTS.....	10-11
Wiring Diagram.....	12

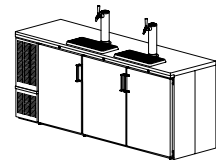
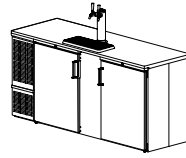
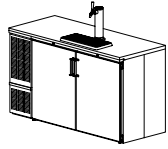


8300 West Good Hope Road • Milwaukee, WI 53223 • Phone 414-353-7060 • Fax 414-353-7069
Toll Free 800-558-5592 • E-Mail: Perlick@Perlick.com • www.Perlick.com

Form No. Z2280

Installation and Operating Instructions

Sizes and Specifications, Direct Draw Dispensers - Self-Contained



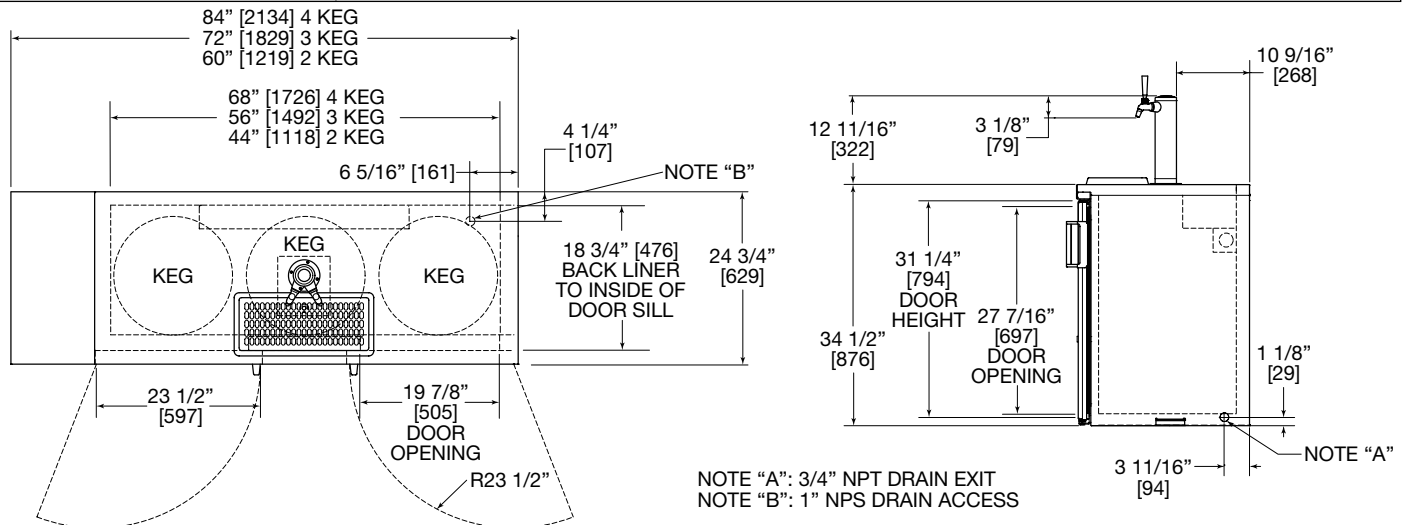
DOOR FINISH

BLACK	DS60B	DS72B	DS84B
STAINLESS STEEL	DS60S	DS72S	DS84S

MODEL NUMBERS

SPECIFICATIONS

KEG CAPACITY	2 Keg	3 Keg	4 Keg	
NUMBER OF DOORS	2	2	3	
CABINET DIMENSIONS	Length Ins. (mm)	60" (1524)	72" (1829)	84" (2134)
	Depth Ins. (mm)	24 ³ / ₄ " (629)	24 ³ / ₄ " (629)	24 ³ / ₄ " (629)
	Height Ins. (mm)	34 ¹ / ₂ " (876)	34 ¹ / ₂ " (876)	34 ¹ / ₂ " (876)
NO. OF DISPENSING HEADS	1	1	2	
NO. FAUCETS	2	2	2	
CONDENSER UNIT H.P.	1/4	1/3	1/3	
RUNNING LOAD - AMPS	5.9	7.5	7.5	
SHIP WT lbs. (kg)	385 [175]	425 [193]	500 [227]	
INTERIOR	Door sill: High strength polyethylene. Door pan and ceiling: High strength polystyrene. Floor pan: Satinless steel. Walls: Galvanized steel.			
EXTERIOR	All Models: The top is 20 gauge stainless steel. The back, front and sides are stainless steel. Bottom is 18 gauge galvanized steel. Black Models: Doors and grilles are black vinyl coated steel. Stainless Models: Doors and grilles are stainless steel.			
REFRIGERATION	R-134a capillary tube-type. Aluminum fin and copper tube evaporator, epoxy coated coil. Forced air into dispensing head. Adjustable temperature control. Self-defrosting. Pull-out condensing unit for service and cleaning.			
VENTILATION	Front ventilated.			
ELECTRICAL	115 Volt, 60 Hz., 1 Phase AC. Furnished with three prong, six foot NEMA5-15P cord. Contact Perlick for other voltage/frequency requirements.			
PLUMBING	3/4" NPT drain exits out right end or 1" NPS out bottom. Evaporator condensate has been plumbed to a condensate pan located in the compressor housing.			
INSULATION	Foamed-in-place polyurethane; 2" walls, 1 1/2" top and floor.			
OPTIONAL ACCESSORIES	<ul style="list-style-type: none"> • Optional Dispensing Heads • Leg Set • Keg Couplers • Caster Sets • Shelf Kit • Faucet Locks 			



Perlick is committed to continuous improvement. Therefore, we reserve the right to change specifications without prior notice.

Preparing the Cabinet for Use – Direct Draw Dispensers Self-Contained

Parts List

- Faucet Standard.
- Faucet Head Assembly.
- Black Connector Hose $\frac{3}{16}$ " x 3'.
- $\frac{5}{16}$ " Air Hose.
- Spanner Wrench.
- Bag of Miscellaneous Parts.

Suggested Tools Required

- #2 Phillips Screwdriver.
- Spanner Wrench (included).
- #10 Crescent Wrench.
- $\frac{9}{16}$ " Allen Wrench.
- $\frac{5}{16}$ " & $\frac{3}{8}$ " Nut driver.
- Power driver.

Uncrating and Inspection

Remove all crating material before operating. Carefully inspect cabinet for hidden damage. If damage is discovered, file your claim immediately with the transportation company. Perlick is not responsible for damage in transit.

Placing the Cabinet

Push the cabinet into place using rollers when necessary. Important: Proper air flow around the condensing unit is necessary for efficient operation. Never obstruct the air flow in and out of the condensing unit.

Leveling the Cabinet

When the cabinet is in place, check installation with a carpenter's level. A slight pitch to the drain side is desired. Water may accumulate if the cabinet is pitched to the opposite side.

Installing Casters or Legs (Optional)

Attach casters to the cabinet bottom in the holes provided. Use supplied $\frac{1}{4}$ "- 20 x $\frac{3}{4}$ " hex head self-tapping machine screws. Use power driver if available.

Installing the Faucet and Dispensing Head

Before you begin: Wash tapping devices and faucet. Flush beer, tapping device and faucet lines with fresh water.

- Apply RTV around the base of the dispensing head to seal it to the top. Align the dispensing head over the holes on the cabinet top and use screws provided to secure standard to cabinet top. Wipe off excess RTV to complete the seal.
- Attach faucet to standard using spanner wrench to tighten coupling. Attach faucet handle to faucet.
- Insert flexible plastic air hose six to seven inches into bottom of faucet standard. Secure hose with tie wrap (supplied).

Plumbing

The floor drain in the right rear corner is equipped with a $\frac{3}{4}$ " female pipe thread connection with side or bottom access for beer drainer waste.

- Remove either side or bottom drain plug with an allen wrench and attach a $\frac{3}{4}$ " male pipe (provided by plumber) to an external drain connection.

Evaporator condensate has been plumbed to a condensate pan located in the compressor housing.

CAUTION: Do not overtighten drain fitting as it may damage the threads.

NOTE: The end of the CO₂ line extends through a sleeve on the side of the cabinet in the machinery compartment. Connect this line to the pressure supply with a hose and fitting.

Electrical

The cabinet must be connected to a separately fused power source (see electrical specification plate) and grounded in accordance with National and Local Electrical Codes. Caution: Do not attempt to operate the equipment on any other power source than that listed on the Electrical Specification plate.

WARNING!

To avoid compressor damage, after returning cabinet to an upright position, let unit stand for 24 hours before plugging it in and running the unit.

Installation and Tapping – Direct Draw Dispensers Self-Contained

Connecting the Keg Coupler (when Supplied by Perlick)

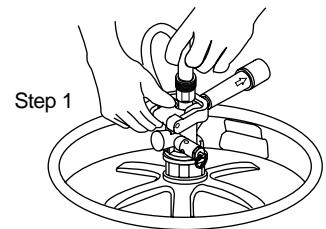
- Place one brown leather washer into black beer line connector hose on hex nut side. Screw connector to stainless steel beverage line on faucet standard. Tighten with a wrench, but do not over tighten.
- Make sure lever handle on the keg coupler is in the **UP** (untapped) position. Place one brown leather washer into wing nut end of black beer line connector hose and thread onto top of keg coupler. Hand tighten.
- Place clamp on one end of red air line. Push end over air valve located inside cabinet. Tighten clamp with screwdriver. Turn shut-off valve to **OFF** (horizontal) position.
- Place clamp on the other end of red air line and push over tailpiece on coupler. Tighten clamp with screwdriver.

CAUTION: Do not use keg coupler as a handle to lift keg.

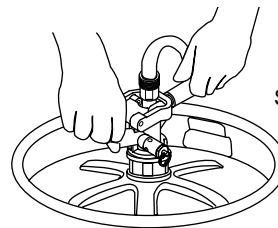
Tapping a Single Valve Keg (Sankey):



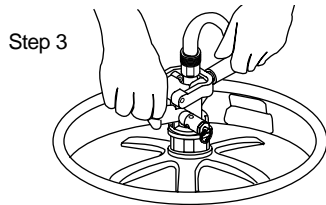
Single Valve Keg Coupler



Step 1



Step 2



Step 3

- Be sure beer faucet is in closed position.
- Align keg lugs with lug openings on bottom of coupler.
- Turn clockwise $\frac{1}{4}$ turn. Pull handle out and down. Keg is now tapped.
- Open shut-off valve on air divider located inside of the cabinet.

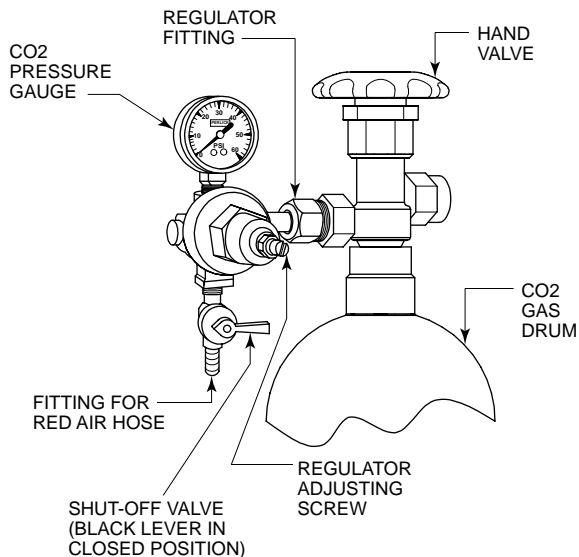
Important: Be sure to close this valve when untapping keg.



Installation and Tapping – Direct Draw Dispensers Self-Contained

Connecting the Regulator to the CO₂ Cylinder

- Remove blue plug from regulator fitting.
(Note: Do not remove the carbonic washer).
- Screw regulator onto gas cylinder valve. Tighten with wrench until vertically straight. Be sure that shut-off valve (**black lever**) on regulator is in the OFF (**horizontal**) position.
- Place a screw clamp over end of red air line and push onto regulator tailpiece. Tighten clamp with a screwdriver.



Adjusting the CO₂ Gas Flow

- Turn regulator adjusting screw counterclockwise until it turns freely.
- Turn hand valve counterclockwise on CO₂ cylinder to the fully open position.
- Turn regulator adjusting screw clockwise until desired pressure is reached (approximately 12-15 lbs.). Tighten stop nut on adjusting screw.
- Open shut-off valve on bottom of regulator.

CO₂ Leak Test

Dilute a small amount of liquid dishwashing soap and rub the soapy mixture around each connection. If bubbles appear, tighten connection.

Replacing CO₂ Gas Cylinder

- Turn CO₂ hand valve clockwise until seated and close shut-off valve on regulator.
- Unscrew regulator from cylinder fitting.
- Replace carbonic washer (Part No. 157F2P), if needed and reattach regulator to filled cylinder.
- Turn CO₂ hand valve counterclockwise until fully open. Turn regulator shut-off valve to open position.
- Adjust CO₂ gas flow as required, turning clockwise for higher pressure.

Proper CO₂ Handling

ALWAYS...

- Connect a regulator (reducing valve) to CO₂ cylinder.
- Secure cylinder in upright position whether in storage or in use.
- Keep cylinder away from heat. Rupture disc vents at 122° F. maximum.
- Ventilate room after high pressure gas leakage.
- Check the last DOT test date on cylinder neck before filling. If more than five years old, the cylinder must be retested to DOT specifications.
- Be sure CO₂ cylinder outlet fitting is free of dust or dirt before attaching regulator.
- Store CO₂ cylinder and regulator assembly upright.
- Allow only properly trained and experienced personnel to handle high pressure gas.

NEVER...

- Connect cylinder directly to a keg without a regulator (reducing valve).
- Drop or throw regulator or CO₂ cylinder.
- Transport CO₂ cylinder in a closed vehicle.
- Apply oil to a regulator.
- Shut off CO₂ cylinder when not in use. You will not save gas by doing so!
- Allow untrained, inexperienced personnel to handle high pressure gas.

Failure to heed this warning could result in personal injury or death.

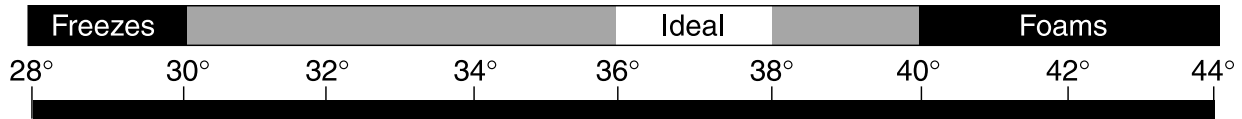
Draft Beer Information – Direct Draw Dispensers Self-Contained

Temperature

One of the most common causes of dispensing problems is improper temperature. Draft beer should be stored at a temperature between 32° and 38°. At warmer temperatures, beer will foam.

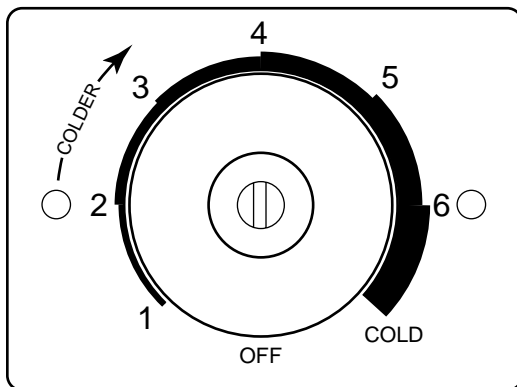
At temperatures lower than 30° F., beer will freeze. When beer freezes, the alcohol in the beer may separate and cause the beer to be cloudy with an “off” taste.

HOW TEMPERATURE AFFECTS DRAFT BEER



Refrigeration and Temperature Control

The Direct Draw Dispenser is equipped with a heavy-duty refrigeration system designed to automatically maintain a storage temperature of 36-41 degrees F. The control is factory set at 38 degrees F.



Adjusting the temperature

The temperature control is inside the cabinet on the right-hand side of the evaporator fan panel assembly. You will need a screwdriver to turn the adjusting screw. Make small adjustments until the desired temperature is achieved.

- **Colder Temperatures:**
Turn the adjusting screw clockwise (to the right).
- **Warmer Temperatures:**
Turn the adjusting screw counterclockwise (to the left).

The condenser fan motor turns off and on with the condensing unit. The evaporator fan motor runs continuously. The fan motors are lifetime lubricated and will require no oiling.

NOTE:

Cabinet Temperatures lower than 34° will not allow for proper defrosting of the evaporator coil. If defrosting is necessary, turn the control knob to the OFF position until coil is defrosted.

Cleaning the Beer System – Direct Draw Dispensers Self-Contained

The entire beer system, to include the faucet, flexible beer line and tapping devices must be cleaned at regular intervals. We recommend flushing the entire system with fresh water immediately after a keg has been emptied. Once each month the system should be cleaned chemically.

It is recommended that you purchase Perlick's Pump Type Cleaning Kit. It is equipped with an adapter that attaches directly to the faucet shank, jar with pump, cleaning solution, faucet brush and spanner wrench.

Cleaning the draft beer system will help to eliminate the buildup of the following materials:

- **Bacteria:**

Beer is an excellent food for bacteria (none of which is harmful). Proper conditions may begin the growth of bacteria in draft beer and on the beer faucet. By regular cleaning, we prevent this bacterial buildup and maintain the quality of the draft beer. Greenish or yellowish colored material on the faucet may indicate bacterial growth.

- **Yeast:**

All domestic draft beers contain a small amount of yeast which remains in the beer from the fermentation process. When the temperature of draft beer exceeds 50° a process of secondary fermentation may take place. The beer faucet may exhibit a white colored substance (yeast build up) if not cleaned on a regular basis.

- **Beer Stone:**

All beer contains calcium which is present from the grains used in the brewing process. It is an important natural material in draft systems in that as it oxidizes it coats the internal parts of the beer lines and equipment. This thin coat of beer stone helps prevent the beer from picking up strong metallic or plastic flavors as it flows through the system. The beer stone will continue to build if the system is not cleaned properly or regularly and can cause drawing problems if it begins to flake off. Beer stone is present if one can see a brownish color on the faucet or inner wall of the beer line, or tobacco-like flakes in the beer.

Cleaning the Cabinet

Use a mild detergent and water to clean the inside and outside of the cabinet. Dry thoroughly. Never use a scouring pad or abrasive cleanser.

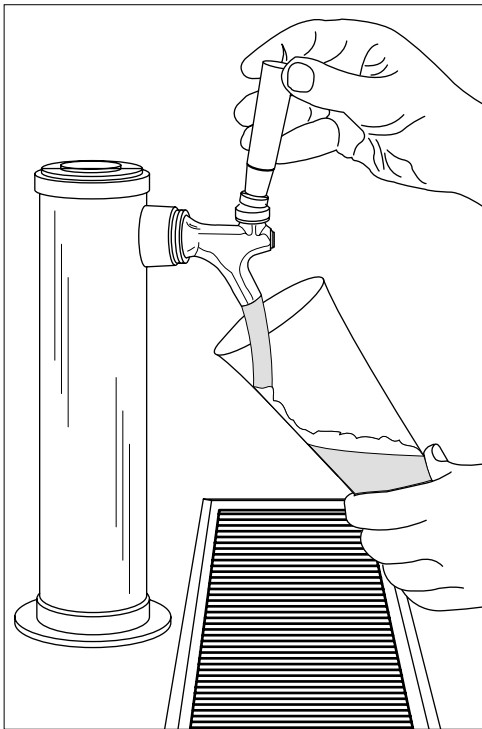
NOTE: An industrial strength, commercial cleaner can be used to clean the outside of painted cabinets.

Cleaning the Condenser

Use a long handled, stiff brush to clean the dirt from the front surface of the condenser. Keeping the condenser free from dust and dirt will ensure efficient operation.

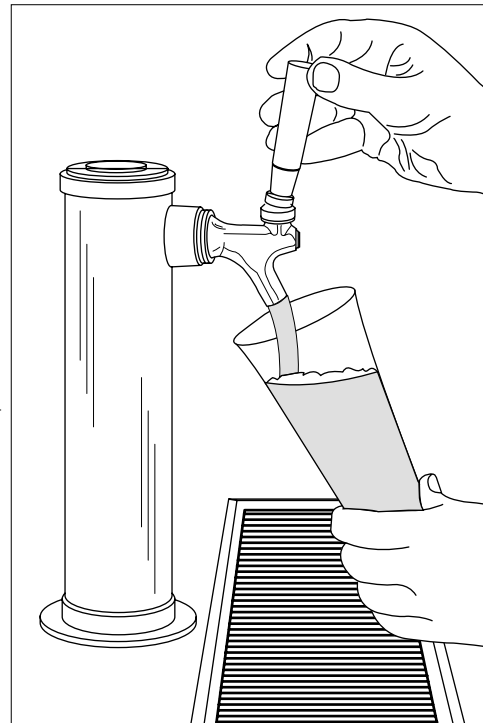
CAUTION: Do not bend the fins while brushing the front of the condenser.

Pouring a Perfect Glass of Beer – Direct Draw Dispensers



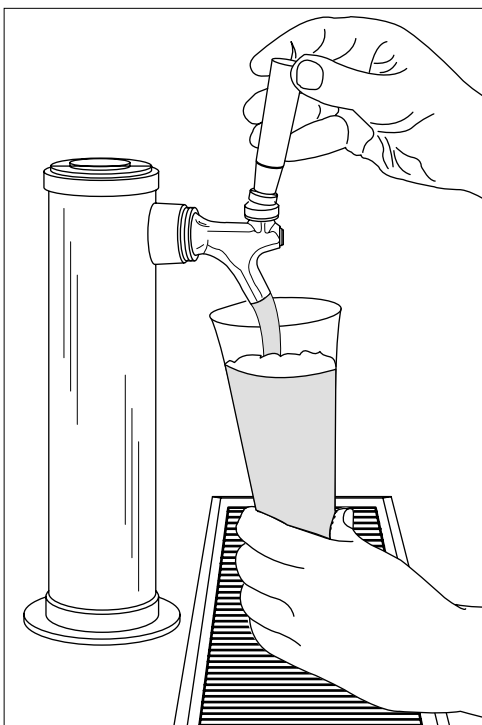
STEP 1

Start with a clean glass. Place the glass at a 45° angle, one inch below faucet. Do not let the glass touch the faucet. Open the faucet all the way.



STEP 2

After the glass has reached half full, gradually bring the glass to the upright position



STEP 3

Let the remaining beer run straight down the middle of the glass. This ensures proper release of CO₂ by producing a 3/4" to 1" foam head.



STEP 4

Close the faucet quickly and completely.

Trouble Shooting – Direct Draw Dispensers Self-Contained

Beer Service Problems

■ Wild Beer:

Dispensed beer has either too much foam or is all foam.

CAUSES:

- Beer has been dispensed improperly.

Solution: See pouring instructions on page 8.

- Regulator pressure is set too high.
- Warm keg temperature.

Solution: Keg must be colder than 40°. Target temperature is between 36° and 38° F.

- Cabinet door is opened and closed frequently and temperature is warmer than 38° F.

Solution: Adjust temperature to between 36° and 38° F.

- Kinks, dents or obstructions in the line.
- Using oddly shaped glasses. Frosted, waxed or styrofoam containers may cause foaming.
- Dispenser has been turned off for a long period of time.
- Faucet is bad, dirty or in a worn condition.
- Regulator malfunction.

■ Flat Beer:

Foamy head disappears quickly; beer lacks brewery fresh flavor.

CAUSES:

- Dirty glassware.
- CO₂ pressure is too low, due to leak or pressure setting.
- CO₂ is turned off at night.
- Cooler is too cold.
- CO₂ leak or defective (sticking) check valve.
- Sluggish CO₂ regulator.

■ Cloudy Beer:

Beer in glass appears hazy, not clear.

CAUSES:

- Dirty glass.
- Dirty faucet or beer line.
- Frozen or nearly frozen beer.
- Old beer.
- Beer that has not been refrigerated for a long period of time.

Beer and CO₂ Facts

Keg Size	No. of Gallons	No. of Oz.	No. of Cases	No. of 12Oz. Servings	Full Keg Weight
Quarter	7¾	992	3.445	105	87 lbs.
Half	15½	1,984	6.889	210	161 lbs.

- Beer foam is 25% liquid beer and 75% CO₂ gas. Don't waste it!
- Most people prefer beer stored at 38° F.
- Beer lines and faucets require regular cleaning (see cleaning instructions on page 7).
- A fully-charged 4.2 lb. CO₂ cylinder will dispense approximately 5½ to 6½ half barrels.
- CO₂ gas gives beer its sparkling effervescence. It also gives beer its creamy head of foam.

Replacement Parts – Direct Draw Dispensers Self-Contained

MODEL NOS.	DS60B	DS72B	DS84B
	DS60S	DS72S	DS84S
Condensing Units			
Condensing unit 115 volt, 60 hz.	C22647	C22646	C22646
Condensing unit	515301063	515301062	515301062
Compressor	513200314	513200003	513200003
Fan motor assembly	215315009	215315009	215315009
Condenser coil	15352019	15352019	15352019
Terminal board	219101538	219101538	219101538
Overload protector	MRT20AGK5590	MRT22AGK5590	MRT22AGK5590
Relay	21351619	21351619	21351619
Capacitor	13556529	13556532	13556532
Evaproator Assembly			
Self Contained complete	65555-1	65555-2	65555-2
Evaporator coil	C17511-1EP	C17511-2EP	C17511-2EP
Liquid & Suction line	65084	65085	65085
Fan blade	57699	57699	57699
Fan motor	C15239A	C15239A	C15239A
Evaporator fan guard	65557	65557	65557
Temperature control	61283	61283	61283
Bulb clamp	C6634	C6634	C6634
Wire harness, compressor bottom	65560	65560	65560
Wire harness, evaporator	65561	65561	65561
Lock	63762	63762	36762
Space, lock	63761-1	63761-1	63761-1
Lock rail	65432-24SS	65432-24SS	65432-24SS
Grille rail	65432-12SS	65432-12SS	65432-12SS
Condenser pan	65565-1	65565-1	65565-1
Condenser end panel	66215-1SS	66215-1SS	66215-1SS
Grille, black	66210-12	66210-12	66210-12
Grille, SS	66210-12SS	66210-12SS	66210-12SS
Condenser housing back	65435-12SS	65435-12SS	65435-12SS
Evaporator, liquid & suction line cover	65576-1L	65576-4L	65576-2L
Evaporator pan	65526-1	65526-2	65526-2
Door sill	65500-1	65500-1	65500-1
Door handle bracket	65189-1	65189-1	65189-1
Door handle	C31409-1	C31409-1	C31409-1
Door gasket	66237-4	66237-4	66237-4
Cabinet hinge	65436-LBRT	65436-LBRT	65436-LBRT
Cabinet hinge	65436-LBRB	65436-LBRB	65436-LBRB
Hinge pin	63679-1	63679-1	63679-1
Hinge assembly, cabinet left side	65505L	65505L	65505L
Hinge assembly, cabinet right side	65505R	65505R	65505R
*Replacement door	RD-NL2	RD-NL2	RD-NL2

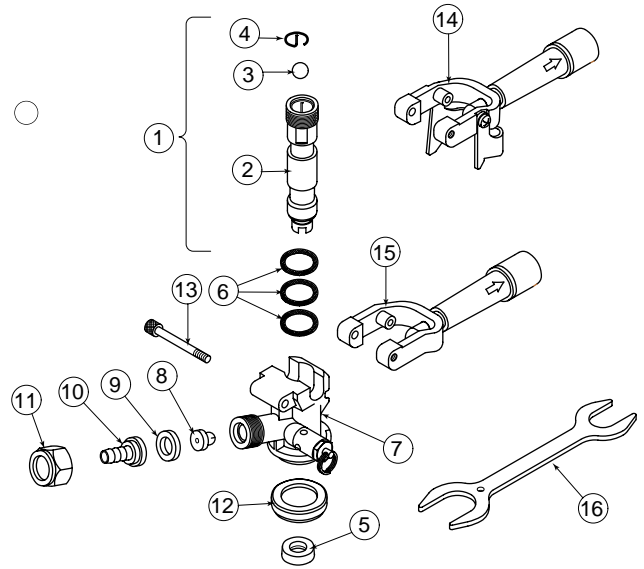


Perlick is committed to continuous improvement. Therefore, we reserve the right to change specifications without prior notice.

Replacement Parts – Direct Draw Dispensers Self-Contained

For Single Valve Keg Coupler (Series D)

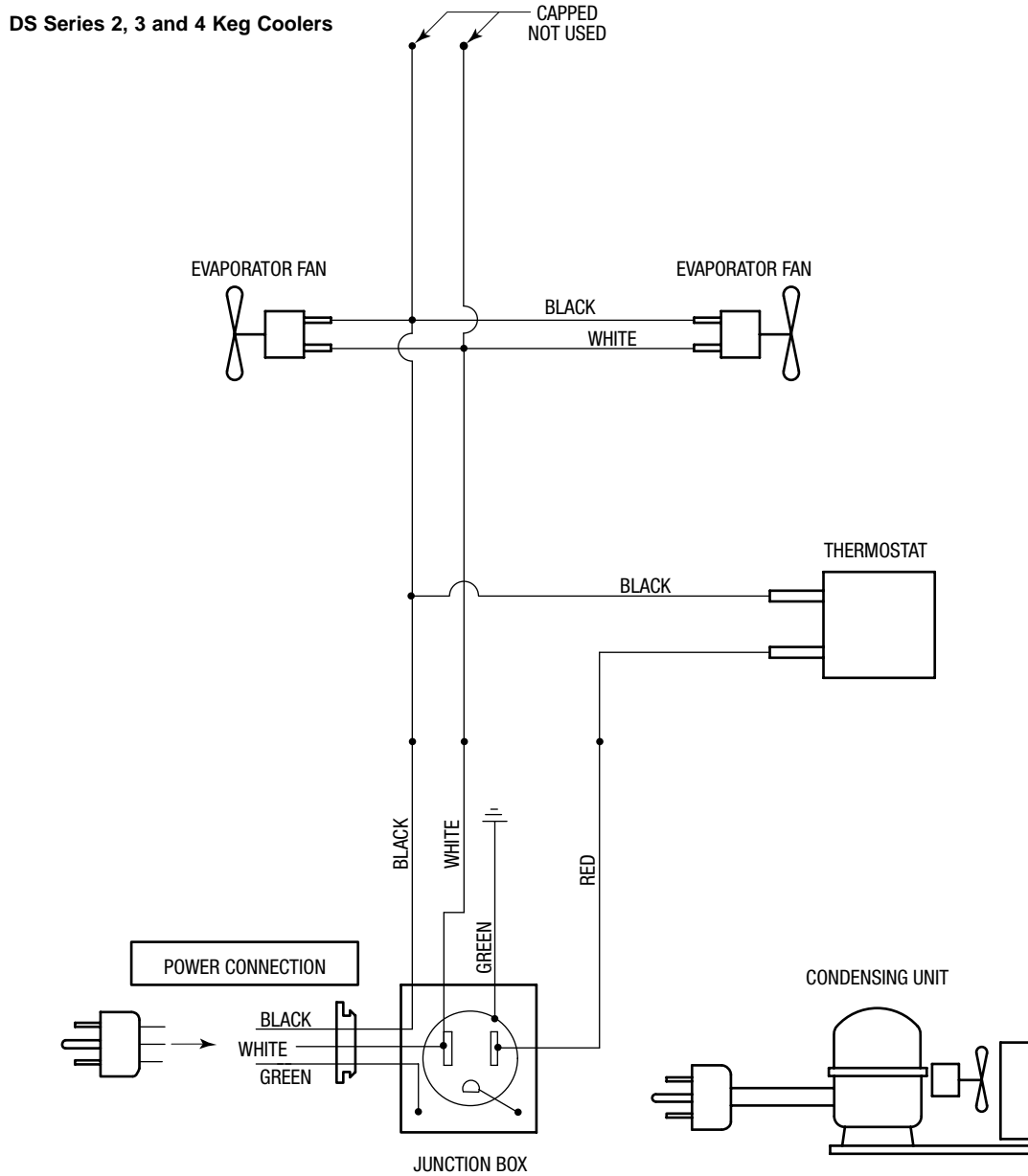
Item No.	Part No.	Description
1	32499	Probe assembly
2	F40184	Probe body
3	31080-2P	Ball
4	43641-1	Ball retainer
5	31087-2P	Probe washer
6	31089	“O” Ring - 3-per assembly
7	43061	Body
8	23682-2P	Check valve
9	157R2P	Washer
10	206B-1	Tailpiece
11	2026	Coupling nut
12	31088-2P	Bottom seal washer
13	31084-1	Retaining screw
14	43002A	Yoke assembly w/lock
15	43001A	Yoke assembly standard
16	32474-1	Wrench



Miscellaneous

Part No.	Description
157L2P	Beer line connector gasket
57F2P	CO ₂ tank washer
1392R	Red air hose
529	Beer hose
2928D	Twin gauge CO ₂ regulator

Wiring Diagram – Direct Draw Dispensers Self-Contained



8300 West Good Hope Road • Milwaukee, WI 53223 • Phone 414-353-7060 • Fax 414-353-7069
Toll Free 800-558-5592 • E-Mail: Perlick@Perlick.com • www.Perlick.com

Perlick is committed to continuous improvement. Therefore, we reserve the right to change specifications without prior notice. Form No. Z2280

Free Manuals Download Website

<http://myh66.com>

<http://usermanuals.us>

<http://www.somanuals.com>

<http://www.4manuals.cc>

<http://www.manual-lib.com>

<http://www.404manual.com>

<http://www.luxmanual.com>

<http://aubethermostatmanual.com>

Golf course search by state

<http://golfingnear.com>

Email search by domain

<http://emailbydomain.com>

Auto manuals search

<http://auto.somanuals.com>

TV manuals search

<http://tv.somanuals.com>