



Installation & Operation Manual

Commercial Back Bar

Sliding Door

SDB & SDP Series



Model SDBR48 Shown

5 Year
Compressor
Warranty



Form No. 2722013

TABLE OF CONTENTS

General Information..... 2
 Safety 2
 Prior To Installation 3
 Installation 4
 Operation..... 5
 Adjustments..... 6
 Maintenance 7
 Troubleshooting..... 9
 Dimensions..... 11
 Wiring Diagrams 15
 Warranty 19

GENERAL INFORMATION

Introduction

Congratulations on your purchase of a Perlick commercial back bar product. This manual has been prepared to assist you in the installation of your cabinet and to acquaint you with its operation and maintenance.

We dedicate considerable time to ensure that our products provide the highest level of customer satisfaction. If service is required, your dealer can provide you with a list of qualified service agents. For your own protection, never return merchandise for credit without our approval.

We thank you for selecting a Perlick product and assure you of our continuing interest in your satisfaction.

Warranty

To register your product, visit our web site at www.perlick.com. Click on "Commercial", then "Service". Click on the link "Warranty Registration Form". You must complete and submit this form or the installation date will revert back to the ship date.

Please record the purchase date and the dealer's name, address and telephone number below.

Model Number: _____
 Serial Number: _____
 Purchase Date: _____
 Dealer Name & Address

 Phone Number _____

SAFETY

PLEASE READ all instructions completely before attempting to install or operate the unit. Take particular note of the DANGER, WARNING or CAUTION information in the manual. The information is important for the safe and efficient installation, operation and care of your Perlick unit.

⚠ DANGER Indicates a hazard that **WILL** result in serious injury or death if precautions are not followed.

⚠ WARNING Indicates a hazard **MAY** cause serious injury or death if precautions are not followed.

⚠ CAUTION Indicates a hazard where **minor** injury or product damage may occur if precautions are not followed.

IMPORTANT!
 Read and understand all information in this manual before attempting the installation.
 All plumbing and electrical work must be performed by a qualified technician and conform to all applicable state and local codes.

PRIOR TO INSTALLATION

Uncrating and Inspection

Remove all crating material. Carefully inspect cabinet for hidden damage. If damage is discovered, file your claim immediately with the transport company. Perlick is not responsible for damage in transit.

⚠ CAUTION Do not cut cardboard sleeve covering the unit. Cutting may result in damage to the exterior of the cabinet. Failure to follow this procedure may damage the compressor and void warranty.

1. Uncrate the unit on flat, level surface. Remove the cardboard sleeve by removing the banding securing the sleeve to the shipping base. Carefully lift the cardboard sleeve up over the top of the unit.
2. Carefully lift unit off the base and onto a hand truck or dolly. Make sure unit is balanced on transporting device using soft, flexible strapping. Protect unit surfaces with cloth material where strapping contacts unit.

⚠ CAUTION Do not lift unit by drawer, shelving or door handles or damage to the unit could occur.

⚠ WARNING To prevent personal injury, two people minimum required to lift the unit. Larger units may require additional personnel.

3. Before moving unit, secure door(s) to unit with tape to prevent from opening.
4. Carefully move unit to installation site and place in front of opening.

⚠ CAUTION Finished flooring should be protected with appropriate material to avoid damage from moving the unit.

Plumbing

⚠ CAUTION Do not over-tighten drain fitting or damage to the threads could occur.

The condensate drain tube (furnished) must be connected to the unit. One end is attached to the barbed elbow on the evaporator condensate pan; the other end is inserted through the evaporator drain hole and exits the bottom of the cabinet. The drain hole is located in the cabinet floor pan, behind the vertical door mullion.

The drain tube must be placed over a floor drain or into a condensate management system such as a "Condensate Evapaway" pan and heater.

Electrical

The cabinet must be connected to a separately fused power source (see Electrical Specification Plate affixed to unit) in accordance with National and Local electrical codes.

Self-contained Perlick units come equipped with a NEMA 5-15P 90° plug with an 8' cord extending beyond the rear of the cabinet. The electrical outlet must be flush with, or recessed into, the wall surface.

NOTE: Never use an extension cord to extend the power cord to the electrical receptacle.

⚠ CAUTION If unit has been laid on its back or sides, place unit upright and allow minimum of 24 hours before connecting power. Failure to follow this procedure may damage the compressor and void the warranty.

⚠ CAUTION Do not attempt to operate the equipment on any other power source than that listed on the Electrical Specification Plate attached to the unit.

⚠ DANGER ELECTROCUTION HAZARD! Electrical grounding is required. Appliances furnished with a 3-prong (grounding) polarized plug are equipped for your protection against possible shock hazards.

- Never remove the round grounding prong from the plug.
- Never use a 2-prong adapter.
- Never use extension cord to connect power to the unit.
- If a 2-prong receptacle is encountered, or a longer power cord is required, contact a qualified electrician to have it replaced in accordance with applicable electrical codes.

⚠ DANGER Failure to comply with these electrical guidelines may result in possible death or serious injury, fire, or loss of property.

INSTALLATION

General Information

- For units equipped with a power cord, the cord and plug may be aligned with a recess in the back panel to allow the unit to be pushed closer to the wall. For correct alignment, the wall outlet must be located 4" - 10" above the floor.
- Floor must be level in area of installation.

Preparing the Space

⚠ CAUTION Make sure the floor under the unit is level with the surrounding finished floor. Protect a finished floor with plywood, cardboard or some other suitable material before moving the unit into place. Failure to do this may result in damage to the floor.

NOTE: If unit has been laid on its back or sides, place unit upright and allow minimum of 24 hours before connecting to a power source. Failure to follow this procedure may damage the compressor and void warranty.

1. Make sure the space opening is correctly sized for the unit. See Dimension drawings at the back of this manual for correct dimensions.

NOTE: For a cabinet door to open properly, the door must open a minimum of 90°. Use a minimum 3" filler in corner installations to assure a 90° opening. Allow 24" clearance in front of the unit for full door swing and shelf/drawer pull-out.

2. Check that the following are level and square:
 - Front and interior opening
 - Installation opening and floor surface

NOTE: The floor under the unit must be at the same level as the surrounding finished floor.

Casters or Legs

Refer to the instructions included with the Casters or Legs Kit.

Installing the Unit

⚠ CAUTION If unit has been laid on its back or sides, place unit upright and allow minimum of 24 hours before connecting power.

1. With power applied to the unit, check that the lighting and cooling functions operate properly, then turn off power to the wall outlet and/or circuit breaker.
2. Position the cabinet into place using rollers when necessary.

NOTE: Proper air flow around the condensing unit is necessary for efficient operation. Never obstruct the air flow in and out of the condensing unit.

3. When cabinet is in place, check installation with carpenter's level. When the unit is level front-to-back and side-to-side, accumulated water will drain out of cabinet to evaporator drain.
4. Turn on power to the outlet and/or circuit breaker.

Electric Condensate Evapaway (Optional)

For installation in areas of high humidity, a 115-volt electric condensate pan can be installed underneath the cabinet to collect and evaporate the condensate from the cabinet evaporator. A 6' 3-prong plug is included. A separate circuit should be provided for the heater. The kit can be used only on cabinets equipped with 4" minimum legs; it cannot be used on units equipped with platform or base plate kits. Follow instructions supplied with the kit.

Base Plate Installation (Optional)

Once the unit is secured in place, install the base plate brackets to the cabinet bottom in the holes provided. Attach base plate to brackets. Refer to the installation instructions included with the Base Plate Kit.

Sealing Cabinet to Floor

For units without casters or legs, it may be necessary to seal the base of the cabinet to the floor. This can be accomplished by laying a bead of silicone sealant between the base of the cabinet and the floor (Figure 1).

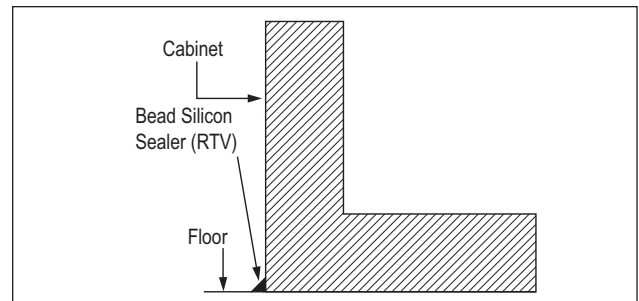


Figure 1. Sealing Cabinet to Floor

OPERATION

Refrigeration and Temperature Control

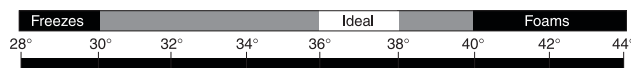
The cabinet is equipped with a heavy-duty refrigeration system designed to automatically maintain a storage temperature of approximately 38° F.

Allow a minimum of 24 hours for ambient temperature product to reach storage temperature.

Draft beer should be stored at a temperature between 32° – 38° F. The most common cause of dispensing problems is improper temperature; beer will foam at warmer temperatures.

Beer will freeze at temperatures lower than 30° F. When beer freezes, the alcohol in the beer may separate and cause the beer to be cloudy with an “off” taste.

The following chart shows how temperature affects beer:



Checking Product Temperature

- To accurately check the temperature of product stored in the refrigerated compartment, insert an accurate thermometer into a plastic unbreakable bottle, partially filled with water. Tighten bottle cap securely.
- Place the bottle in the desired area for 24 hours. Refrain from opening the unit during the testing period. After 24 hours, check the temperature of the water. Adjust the temperature accordingly using the procedures on this page.

The following factors affect the internal temperature of the unit:

- Temperature setting

- Room temperature where installed
- Number of times the door is opened and closed
- Length of time door is left open
- Style of door installed
- Door gasket seal and condition
- Amount of time the internal light is illuminated
- Installation in direct sunlight or near a heat source

Interior Light

The unit is equipped with an interior LED light in the upper front of the unit just inside the door or drawer. The light illuminates when the manual rocker light switch is turned on. The rocker light switch is located behind the LED light on the inside of the frame on either the right or left side (same side as the compressor).

Digital Temperature Control

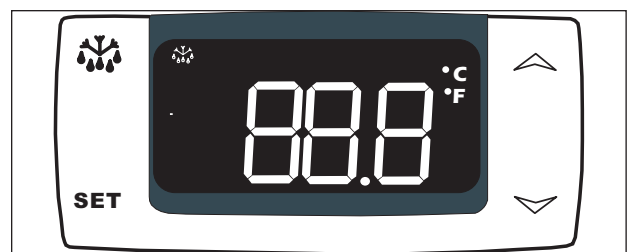


Figure 2. Digital Temperature Controller

To change the Setpoint:

- Press the SET button for more than 2 seconds.
- The value of the setpoint will be displayed and the “C” or “F” LED starts blinking.
- To change the Set value, press the or button within 10 seconds.
- To memorize the new setpoint value, press the SET key again, or wait 10 seconds.

ADJUSTMENTS

⚠ DANGER Never attempt to repair or perform maintenance on the unit until the main electrical power to the unit has been disconnected!

Shelving Adjustment

⚠ CAUTION Completely empty shelf or drawer before removing.

1. Open the door. Tilt the shelf and remove it from the unit
2. Reposition each bracket separately. Grasp the middle of the bracket, pull the front end up and out, then forward to remove it. See Figure 3.
3. Place brackets at desired location and reinstall shelf(s).

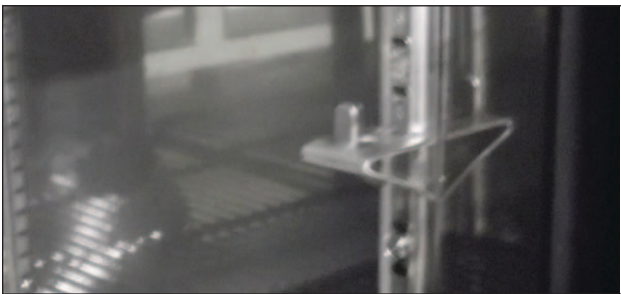


Figure 3. Shelf Bracket

LED Light Replacement

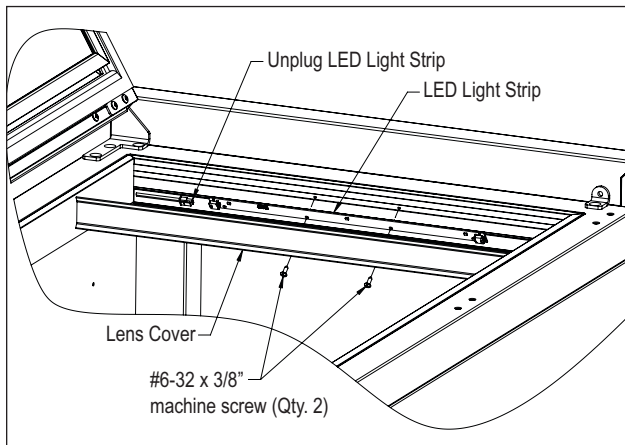


Figure 4. Interior LED Light

1. Open the door.
2. Using a flat blade screwdriver, carefully pry off the lens cover.
3. Remove the two screws securing LED light to housing.
4. Unplug the LED from the wiring harness.

5. Plug new LED into harness and secure to housing using screws removed in step 2.
6. Snap LED cover into place.

Sliding Doors

Removing / Installing

1. To remove the sliding door, simply grasp the door on each side and lift up off the bottom track, then tilt outwards and pull down to remove from upper track.
2. To reinstall sliding door, place door in upper track, making sure to engage the bracket (Figure 5), lift door up into the track and place into the bottom track.

Adjusting Door Spring Tension

A tension spring is located in the upper track of each door. To increase or decrease spring tension, remove the Phillips screw and position the bracket in one of three detentes and reinstall screw. The detente farthest to the left provides the least amount of tension.

NOTE: Units are shipped from the factory with springs set at the weakest setting.



Figure 5. Removing/Installing Sliding Door

Sliding Door Lock

Each set of sliding doors is equipped with a keyed lock located on the bottom of the right side door. To lock the doors, place the lock lever in the DOWN position and lock with the key. Unlock with the key and place lever in the UP position to open.

MAINTENANCE

Stainless Steel Care & Cleaning

General

Contrary to popular belief, stainless steel is susceptible to rusting. Corrosion on metals is everywhere. It is recognized quickly on iron and steel as unsightly yellow/orange rust. Such metals are called “active” because they actively corrode in a natural environment when their atoms combine with oxygen.

Stainless steel is a “passive” metal because it contains other metals like chromium, nickel and manganese that stabilize the atoms. Chromium provides an invisible passive film that covers the steel surface acting as a shield against corrosion. As long as the film is intact and not contaminated, the metal is passive and stainless. If the passive film of stainless steel has been broken, equipment starts to corrode and rust.

There are three basic things which can break down stainless steel’s passive layer and allow corrosion to occur:

- Mechanical abrasion
- Deposits and water
- Chlorides

Mechanical abrasion refers to the things that will scratch a steel surface. Steel pads, wire brushes and scrapers are prime examples.

Water comes out of the faucet in varying degrees of hardness. Depending on what part of the country you live in, you may have hard or soft water. Hard water may leave spots. When allowed to sit, these deposits will break down the passive layer and rust stainless steel. Other deposits from food preparation must be promptly removed with an appropriate cleaning agent.

Chlorides are found nearly everywhere. They are in water, food and table salt. Household and industrial cleaners are the worst offenders.

Preventing Stainless Steel Rust

Use the proper tools. Use non-abrasive tools to clean stainless steel products. Soft cloths and plastic scouring pads will not harm the steel’s passive layer.

Clean with polish lines. Some stainless steels come with visible polishing lines or “grain”. When visible lines are present, always scrub in a motion

parallel to the lines. When the grain cannot be seen, play it safe and do not use a circular motion. Polish in a consistent straight pattern.

Use alkaline, alkaline chlorinated or non-chloride containing cleaners. While many traditional cleaners are loaded with chlorides, the industry is providing an ever-increasing choice on non-chloride cleaners. If you are not sure of chloride content in the cleaner being used, contact your cleaner supplier. If your present cleaner contains chlorides, ask your supplier if they have an alternative. Avoid cleaners containing quaternary salt; it also can attack stainless steel and cause pitting and rusting.

Keep food equipment clean. Use alkaline chlorinated or non-chloride cleaners at recommended strength. Clean frequently to avoid build-up of hard, stubborn stains. The single most likely cause of damage is chlorides in the water. Remember, adding heat to cleaners that contain chlorides dramatically increases their effect on stainless steel.

Rinse, rinse, rinse! If chlorinated cleaners are used, immediately rinse and wipe equipment and supplies dry. The sooner you wipe standing water, especially when it contains cleaning agents, the better. After wiping equipment down, allow it to air dry. Oxygen helps maintain the stainless steel passive film.

Cleaning Cabinet Interior/Exterior

⚠ CAUTION NEVER use hydrochloric acid (muriatic acid) on stainless steel. Do not use abrasive cleansers or cloths on any interior or exterior surfaces or removable parts.

Glass panels may be cleaned using any standard glass cleaner available on the market.

To clean interior and exterior non-metallic surfaces and removable parts, wash with a mild solution of soap and lukewarm water with a little baking soda. Rinse and dry thoroughly. Avoid getting water on lights, controller and fan motors.

Cleaning the Door Tracks

Keep tracks clean of dirt and debris. Use a food grade lubricant to periodically lube the tracks.

Cleaning the Condenser

The condenser (located behind front grille cover) should be cleaned every three (3) months. Use a soft bristle brush and vacuum to remove the dust and lint.

! CAUTION Avoid damaging or crushing the condenser fins or tubing. Failure to follow this procedure may damage the compressor and void the warranty.

Recommended Cleaners for Specific Situations

| Job | Cleaning Agent | Comments |
|--|--|---|
| Routine cleaning. | Soap, ammonia, detergent | Apply with sponge or soft cloth. |
| Fingerprints and smears. | Areal 20, Lac-O-Nu, Lumin Wash, O'Ceder Cream Polish | Provides barrier film to minimize fingerprints. Can be used on all finishes. Rub the surface with a cloth as directed on the package. |
| Stubborn stains and discolorations. | AllChem Concentrated Cleaner, Samae, Twinkle, Cameo Copper Cleaners, Grade FFF Italian Pumice Whiting, Steel Bright, Lumin Cleaner, Zud Restoro, Sta-Clean, Highlite Cooper's Stainless Steel Cleaner or Revere Stainless Steel Cleaner. | Apply with a damp sponge or cloth, then rinse with clear water and wipe dry. |
| | Old Dutch, Lighthouse Sunbrite, Wyandotte Bab-O, gold Dust, Sapollo, Bon Ami or Comet. | For these household cleaners, rub with a damp cloth. They may contain chlorine bleaches so rinse thoroughly after use and wipe dry |
| | Liquid NuSteel or Dubois Temp | For these products, rub the surface with a dry cloth using only a small amount of cleanser. Rinse with water and dry. |
| Heat tint or heavy discoloration. | Penny-Brite, Copper Brite, Paste Nu-Steel, Dubois Temp or Tarnite | Rinse and rub onto surface with a dry cloth. |
| | Bar Keepers Friend, Revere Stainless Steel Cleaner, Allen Polish, Steel Bright Wyandotte Bab-O or Zud. | When using these cleaners, apply with a damp sponge or cloth, rinse thoroughly and wipe dry. |
| Tenacious deposits, rust, discoloration, industrial atmospheric stains. | Oakite No. 33 Dilac, Texo NY, Flash-Klenz Caddy Cleaner, Turco Scale 4368 or Permaga 57. | Use Swab and soak with a clean cloth. Let stand for 15 minutes or more according to directions on package then rinse and wipe dry. |
| Rust discoloration or corrosion caused by cleaning agents containing hydrochloric (muriatic) acid or chlorine bleach | 3M Scotch Brite pad, type A Grade "Fine" | Clean off the surface soil using cleaning methods above. Then rub discolored or corroded areas lightly with dry pad. |

Use of property names is intended only to indicate a type of cleaner and does not constitute an endorsement. Omission of any proprietary cleaner does not imply its inadequacy. All products should be used in strict accordance with instructions on the package.

NOTE: Do not use steel wool or scouring pads to clean stainless steel.

TROUBLESHOOTING

Before Calling For Service

If the unit appears to be malfunctioning, read through the Operation section in this manual first. If the problem persists, check through this troubleshooting section. Locate the problem and refer to the cause and remedy before calling for service. The problem could be something that can be solved without a service call.

 DANGER Never attempt to repair or perform maintenance on the unit until the main electrical power to the unit has been disconnected!

| Problem | Cause | Solution |
|--|---|--|
| No interior light. | Rocker switch in Off position. | Turn switch on. |
| | LED board inoperable. | Contact your selling dealer. |
| Light stays on when door is closed. | Manual switch on. | Turn manual switch off. |
| Noisy operation. | Soft sounds from compressor, fan motor and valves heard. | Normal operation. |
| LED Controller display is flashing "P1". | Thermostat probe failure. | Contact your selling dealer. |
| LED Controller display is flashing "HA". | Internal compartment has exceeded the high temperature alarm preset value for over 30 minutes. | Make sure door is completely closed. Check door gasket seal. Replace if necessary. Check condenser and clean if necessary. Make sure louvered plate is unobstructed. If surrounding ambient temperature has changed dramatically recently, compartment temperature may be affected. Make sure interior light is off. Warm product placed in cabinet recently. Wait 24 hours for product to chill then recheck temperature. |
| LED Controller display is flashing "LA". | Internal compartment has exceeded the low temperature alarm preset value for over 30 minutes. | Make sure door is completely closed. Check door gasket seal. Replace if necessary. If surrounding ambient temperature has changed dramatically recently, compartment temperature may be affected. |
| LED Controller display is flashing "EE". | Controller has a data or memory failure. | Reset both compartment presets. If problem persists, contact your Perlick Service Department. |
| Unit is not running. | No power to the unit. | Home circuit breaker tripped. Reset circuit breaker. ON/OFF keypad is off. Turn on. |
| | Condenser dirty. | Clean the condenser. |
| Compartments are warmer than usual. | Control preset not set properly. Light staying on. Condenser dirty or obstructed. Door is open or has been opened more frequently lately. Internal louvers and/or fan guard obstructed. Warm product placed in cabinet recently. | Reset compartments presets. Turn manual light switch off. Clean condenser and clear obstruction. Wait 24 hours and recheck temperature. Reset preset temperature if necessary. Make sure louvers and/or fan is not obstructed. |



| Problem | Cause | Solution |
|---|--|---|
| System runs for long period of time. | Condenser dirty or obstructed. Door kept open for long time or opened more frequently. Warm product place in cabinet recently. Hot day and warm room temperature. | Clean condenser and clear obstruction. Wait 24 hours and recheck temperature. Reset preset temperature if necessary. Normal for system to run more frequently. |
| Condensation forms inside the compartments. | High humidity and/or frequent door opening. Door not closing and sealing properly. | Normal operation. Make sure door is closing properly. Check door seals and replace if necessary. |
| Condensation forms on outside of unit. | High humidity and/or frequent door opening. Door not closing and sealing properly. | Normal operation. Make sure door is closing properly. Check door seals and replace if necessary. If condensation persists, contact your selling dealer. |

For Product Information

- Contact your selling dealer.
- Inquire via the web at www.perlick.com
- Call (800) 558-5592 for factory assistance on planning installation or product information.
- Write to Perlick Corporation, Customer Service Department, 8300 West Good Hope Road, Milwaukee, WI 53223.
- Email us at warrantyserv@perlick.com.

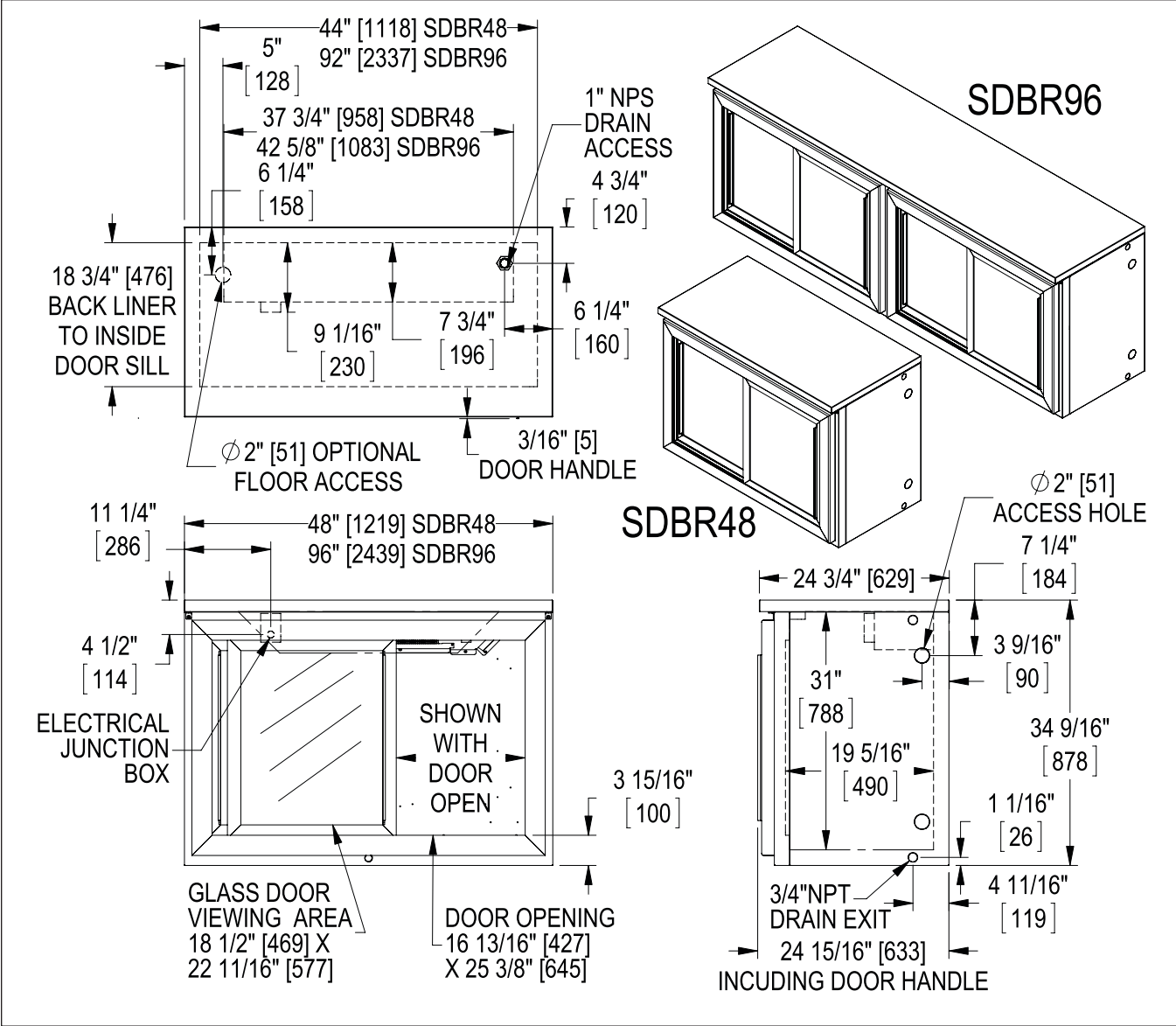
For Product Service

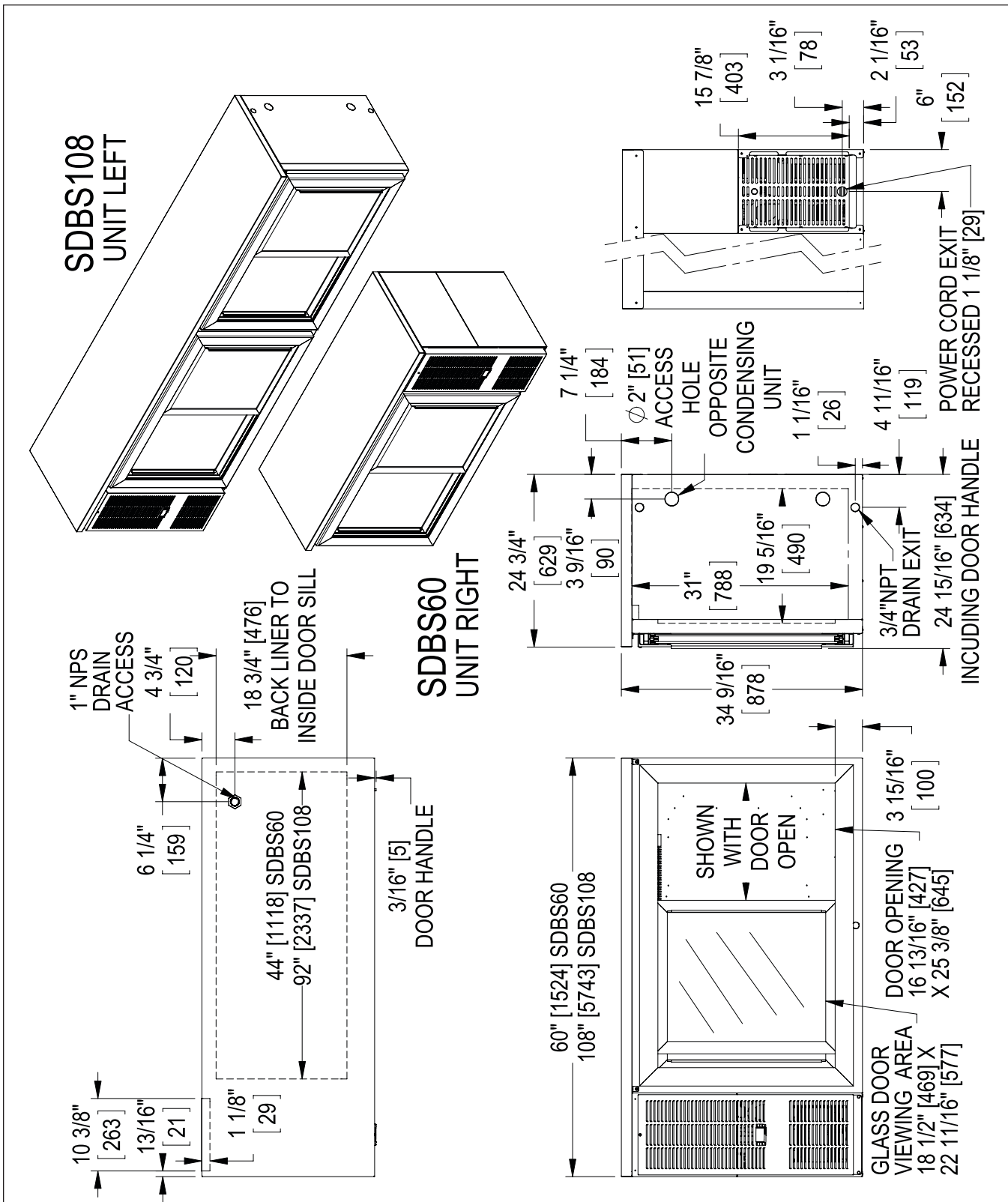
- Check the model and serial number of your unit located on the label attached to the inside top of the cabinet.
- Inquire via the web at www.perlick.com, or call (800) 558-5592.

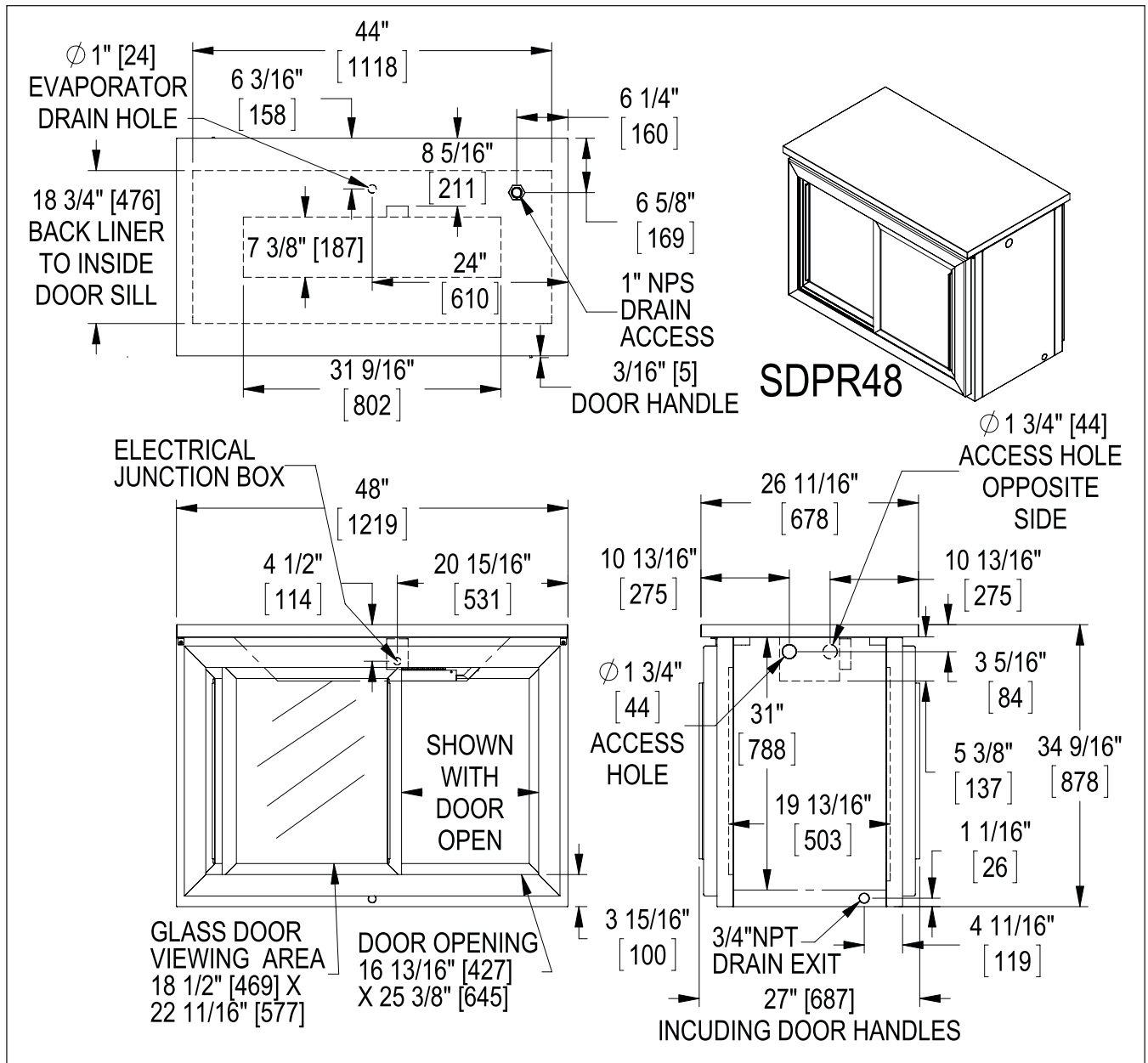
For Replacement Parts and Accessories

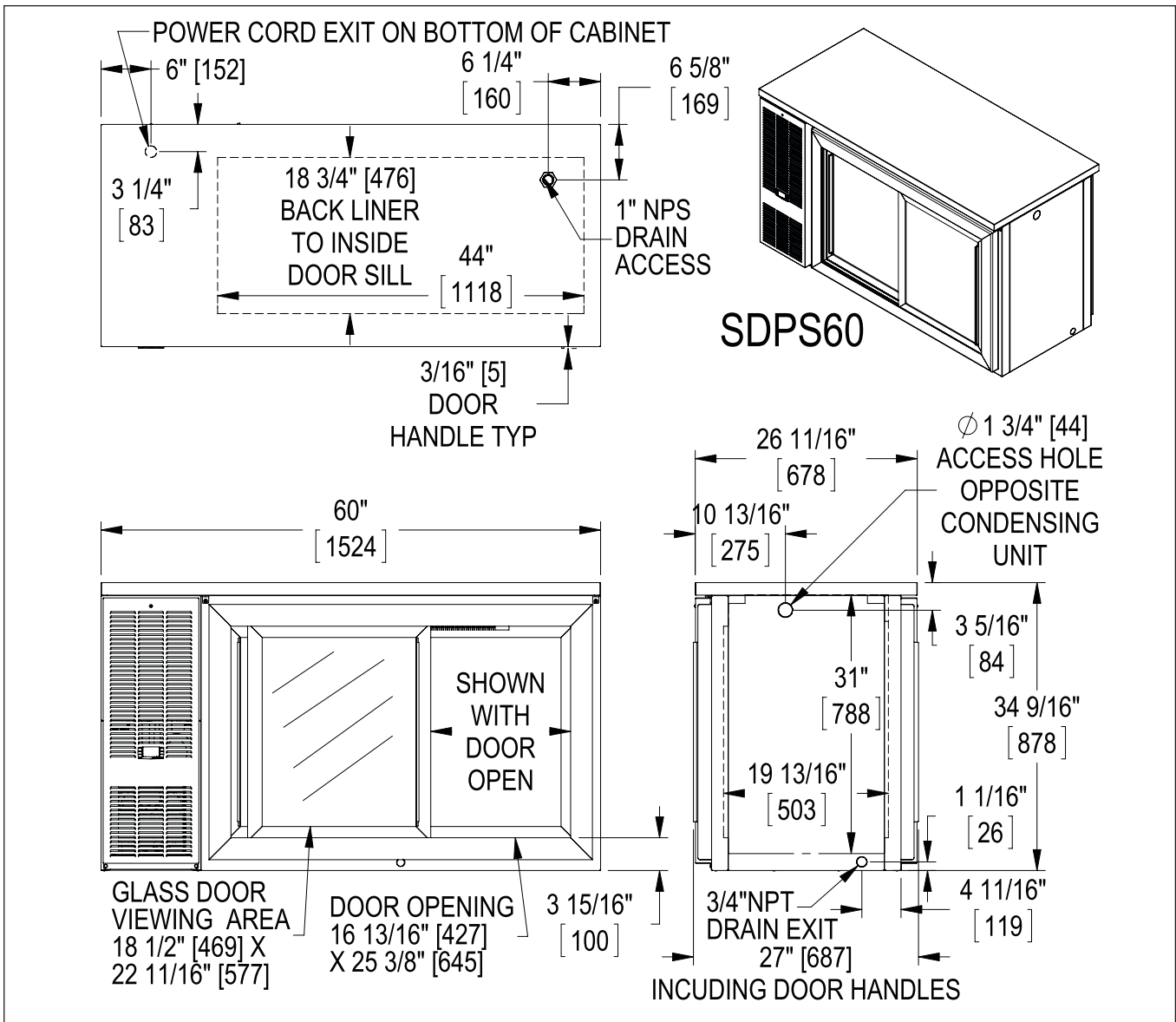
- Use only genuine Perlick replacement parts and accessories. Genuine Perlick parts and accessories are designed to work correctly with Perlick products and offer superior service life. The use of non-Perlick parts can damage the unit and may void the warranty.
- Check the model and serial number of your unit which is located on the right or left interior panel. Call your Perlick Factory Authorized Service Center.
- Inquire via the web at www.perlick.com, or call (800) 558-5592.

DIMENSIONS

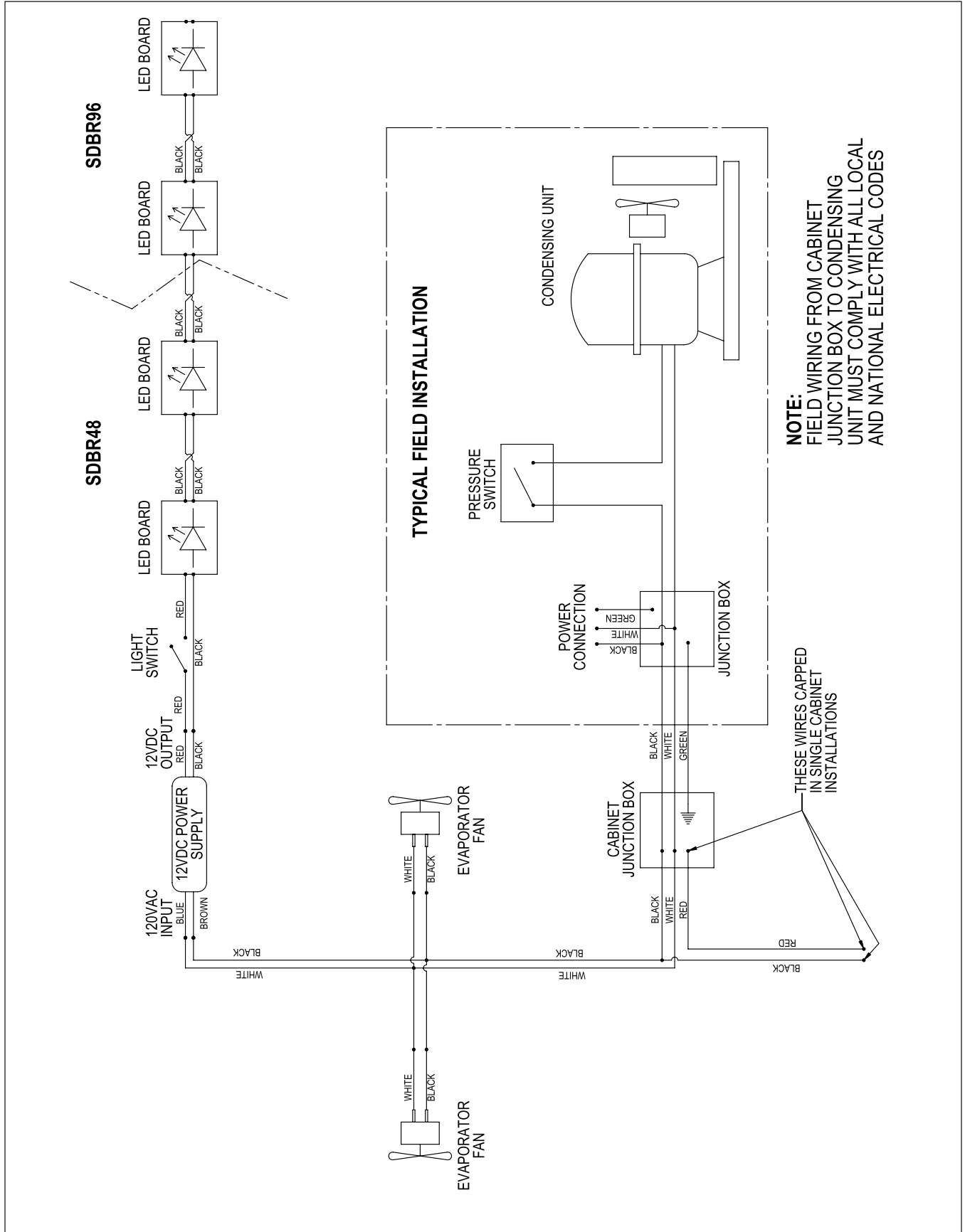


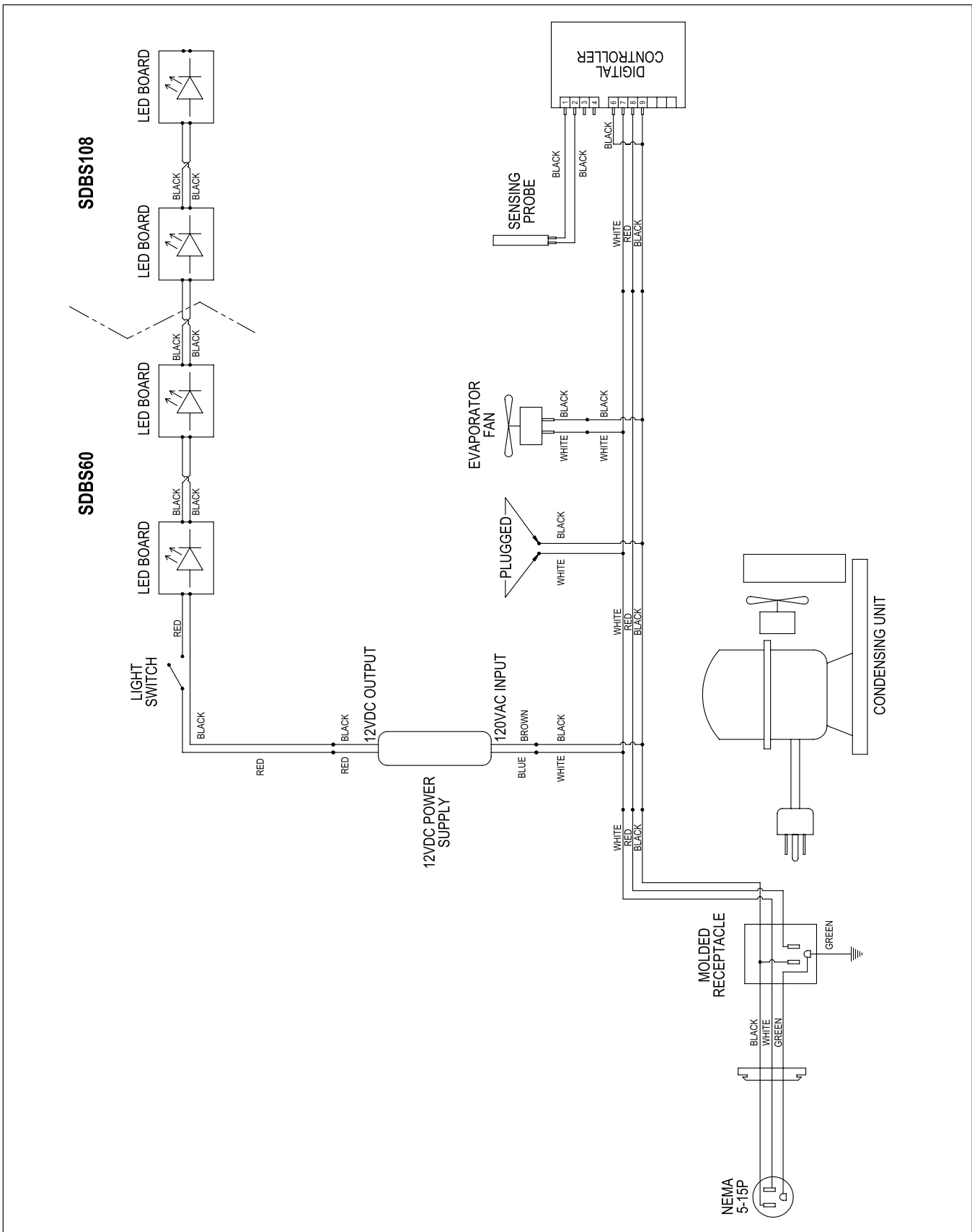


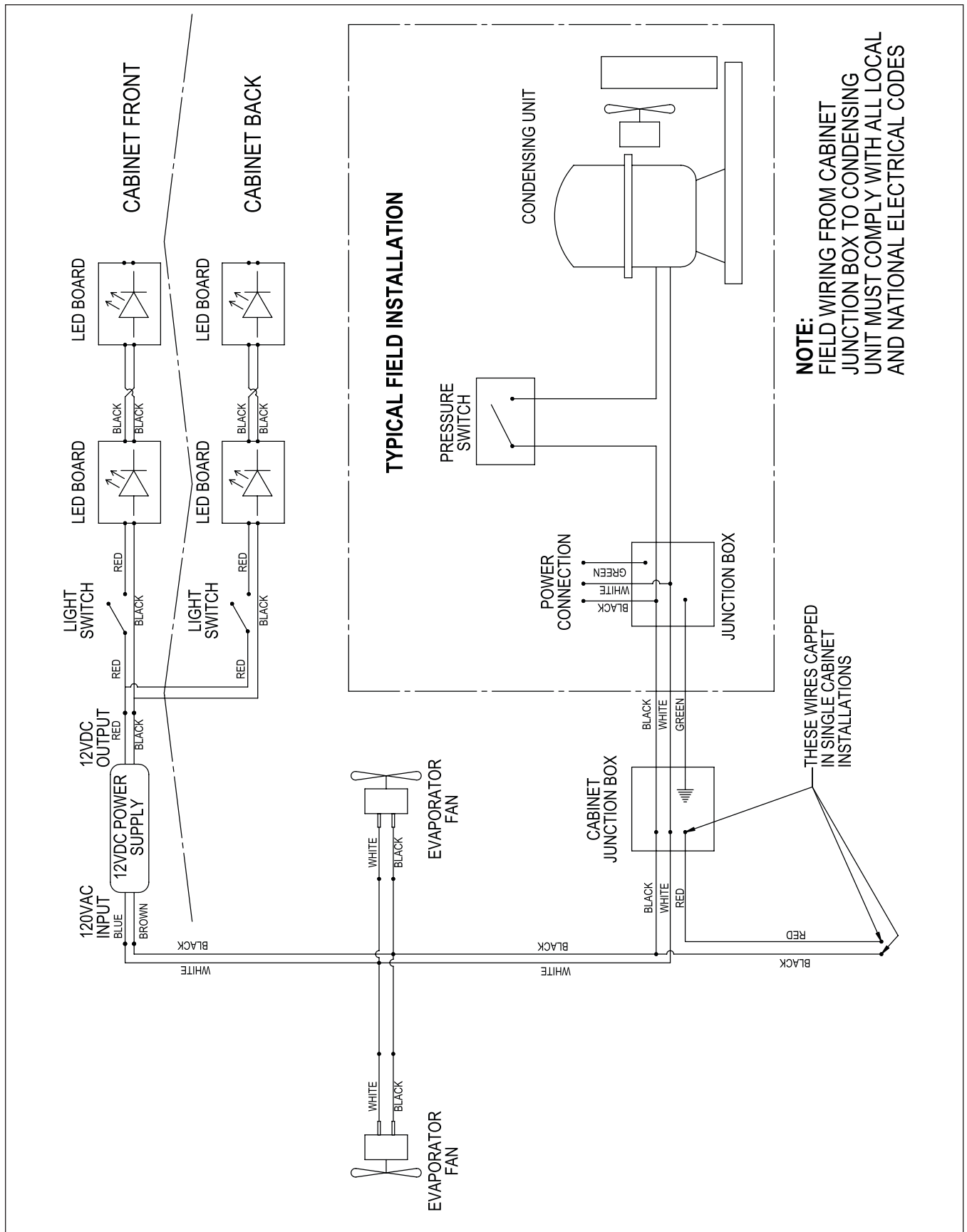


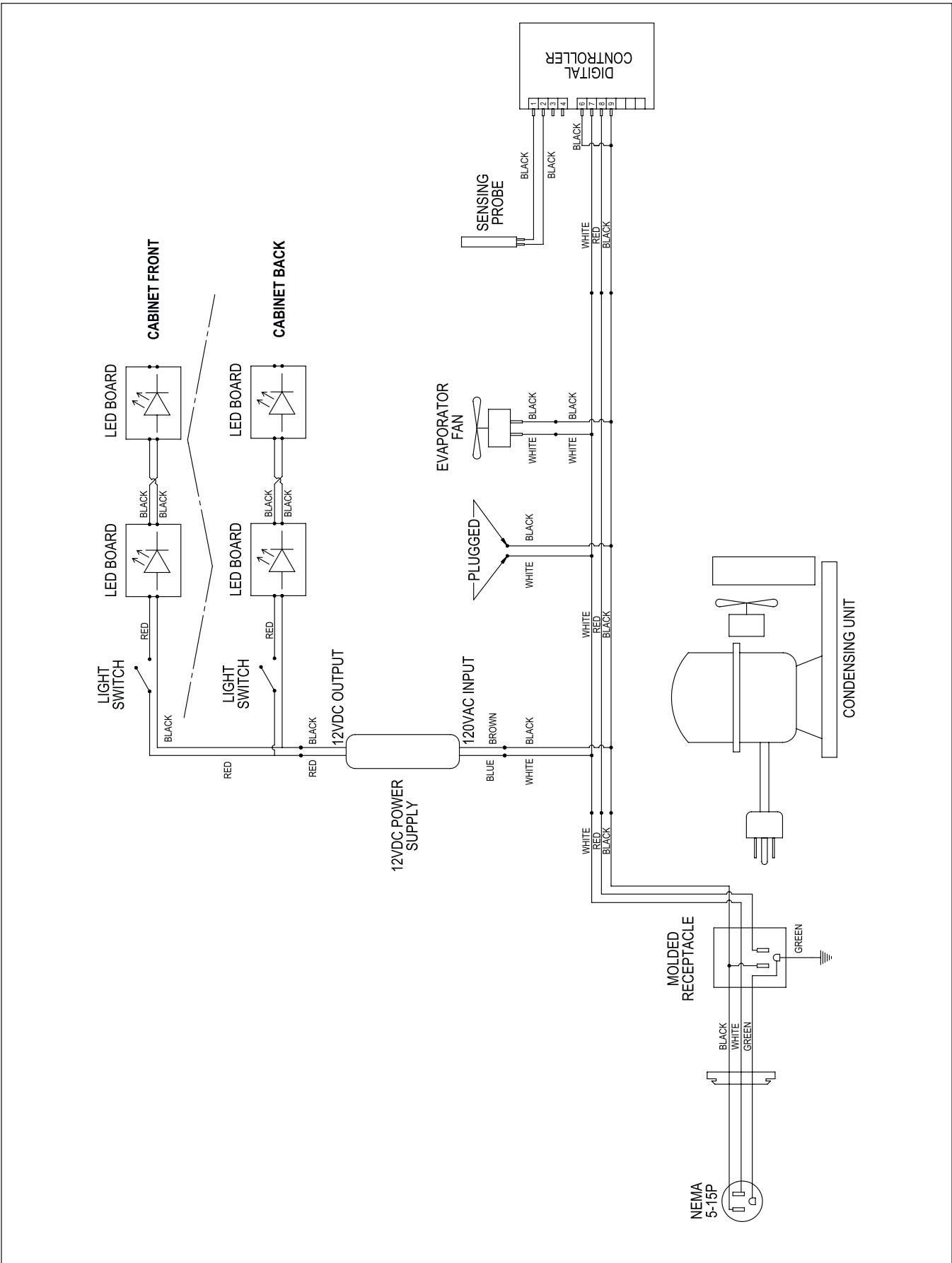


WIRING DIAGRAMS









WARRANTY

The terms and conditions set forth below together with those appearing on the face of the Acknowledgement (the "Order") constitute the complete and exclusive agreement between Perlick Corporation and the Buyer pertaining to the goods and/or services identified in the Order. If there is a discrepancy or conflict between any exhibit or supplement to the Order and these terms and conditions, these terms and conditions shall control. The Order is intended by Seller and Buyer to be the complete, exclusive, and final statement of their agreement. Any changes to an Order must be in writing and signed by Perlick and Buyer.

TERMS NET 30 DAYS

Payment by Visa, MasterCard, American Express or Discover card accepted or cash in advance unless prior accommodations have been made with our Credit Department. Please direct inquiries for detailed information to our Credit Manager. All sales, excise, or similar taxes required by law to be collected or paid by seller shall be in addition to prices quoted unless an appropriate Tax Exemption certificate is furnished. All goods are sold F.O.B. factory. Except for otherwise provided, Perlick will not be responsible for freight, transportation, insurance, shipping, storage, handling, demurrage or similar charges. Invoices are payable in full in thirty (30) days following the invoice's date of issuance. If by the terms of sale credit is extended, Perlick reserves the right to revoke such credit if buyer fails to pay for any products when due and may demand payment prior to the commencement of any further shipment.

WAIVER

Any waiver of strict compliance with the provisions of an Order must be in writing. No such waiver shall be construed as a waiver of any other term or condition except as provided in writing, nor as a waiver of any subsequent breach of the same term or condition.

METHOD OF SHIPMENT

All shipments are carefully packed and labeled. Crates, boxes and cartons used are of approved weight and strength. Freight rates are based upon 100 pound minimum.

LOST and DAMAGED MERCHANDISE

THE RESPONSIBILITY OF THE PERLICK CORPORATION CEASES UPON ACCEPTANCE OF ITS PRODUCTS BY THE CARRIER. Any damage or loss sustained in shipment is the carrier's responsibility. Before giving the carrier a clean receipt at time of delivery, make sure you receive every item on the bill and inspect every carton, crate and box for concealed damage, i.e., broken boards, crushed or punctured cartons, torn cardboard. IF ANY ITEMS ARE SHORT OR DAMAGED, DO NOT ACCEPT THE SHIPMENT UNLESS THE CARRIER MAKES A NOTATION OF THIS ON YOUR FREIGHT BILL. Then request an inspection. Do not destroy the packing materials. If their agent does not make an inspection within five days, advise the carrier via letter that you notified them regarding the matter and they have failed to act. You will need this letter to support your claim. Then file a claim for your loss. When you give the carrier a clean receipt, you accept the total responsibility for the shipment. UPS shipments are insured individually and UPS will replace all merchandise that is lost or damaged.

RETURN OF MERCHANDISE

Do not return any merchandise without our approval. Merchandise returned without a return merchandise authorization number will not be accepted at Perlick. Used, discontinued, and certain custom made items cannot be returned for credit. These custom items include non-catalog products (specials) as well as custom assembled catalog products. Catalog items are designated as non-returnable on the price list page on which they appear. Items returned must be in new condition and packaged in their original carton or crate. Freight charges must be prepaid on all return shipments.



When a return is authorized, a credit may be allowed pending an examination of the returned goods. The amount of the restocking charge will depend on the condition of the equipment. The minimum restocking charge for glass washers, bottle coolers, frosters, direct draws, cooler series back bars and accessory parts is 20%. The minimum restocking charge for custom series cabinets is 50%. The minimum restocking charge for un-assembled, freestanding underbar stainless steel modules is 20%. Assembled underbar modules are considered custom products and are not returnable for credit. The restocking charge on the item returned is either a percentage of the value of the item or \$35.00, whichever is greater.

ONE YEAR PARTS WARRANTY

Perlick products are guaranteed against defects in both material and workmanship for a period of one year from date of sale. Defective parts will be replaced on a no-charge basis, F.O.B. our factory, when adjudged defective upon inspection. We are not responsible for parts damaged by alteration, unauthorized service, accident or abuse. All costs associated with replacement, including freight, labor and/or loss of sales, are the responsibility of the user..

ONE YEAR LABOR WARRANTY

In addition to Perlick's one year parts warranty and five year compressor warranty, ALL PERLICK REFRIGERATION SYSTEMS are offered with a one year labor warranty at no extra charge. Perlick's one year labor warranty provides that Perlick will pay for the cost of any labor to replace any defective part for up to one year after installation, subject to the following terms and conditions:

- (A) Parts returned to Perlick shall be returned freight prepaid and shall be identified with Perlick's serial number and return authorization number.
- (B) Improper operation due to voltage variances, inadequate wiring and physical damage is the responsibility of the purchaser. They are not manufacturing defects.
- (C) Condenser coils shall be cleaned regularly. Failure to provide an adequate flow of cooling air will void this warranty.
- (D) Factory-specified maintenance and installation will be provided by the selling dealer who shall also be responsible for the installation and set-up of these products in accordance with local plumbing, refrigeration and electrical codes.

Perlick's one year labor policy applies to the United States and Canada. IT DOES NOT APPLY TO REFRIGERATION SYSTEMS ADDED BY OTHERS (remote systems) or any part which has been subject to misuse, neglect, alteration, accident, or to any damage caused by transportation, flood, fire or other acts of God.



8300 West Good Hope Road • Milwaukee, WI 53223 •

Toll Free 800.558.5592 • Fax 414.353.7069 • www.perlick.com

Free Manuals Download Website

<http://myh66.com>

<http://usermanuals.us>

<http://www.somanuals.com>

<http://www.4manuals.cc>

<http://www.manual-lib.com>

<http://www.404manual.com>

<http://www.luxmanual.com>

<http://aubethermostatmanual.com>

Golf course search by state

<http://golfingnear.com>

Email search by domain

<http://emailbydomain.com>

Auto manuals search

<http://auto.somanuals.com>

TV manuals search

<http://tv.somanuals.com>