

Troubleshooting

Problem: *Beer flow is slower with Smart Coupler than with standard Perlick coupler.*

Probable Cause: Beer Flow Control Handle is in **CLEAN** position.
Solution: Slowly turn Beer Flow Control Handle to **ON** position.

Problem: *Beer does not flow after keg is tapped.*

Probable Cause: Smart Coupler has locked up.
Solution: First, turn Beer Flow Control Handle to **OFF** position then turn Beer Flow Control Handle to **CLEAN** position. Wait five seconds then turn Beer Flow Control Handle to **ON** position.

Probable Cause: Beer Flow Control Handle is **OFF**.
Solution: Turn Beer Flow Control Handle to **CLEAN** position. Wait five seconds then turn Beer Flow Control Handle to **ON** position.

Probable Cause: Probe or Smart Coupler is dirty.
Solution: Clean Smart Coupler.

Probable Cause: Out of gas.
Solution: Reestablish gas flow.

Problem: *Excessive foam.*

Probable Cause: Beer temperature too high. Excessive beer flow rate. Beer is over-carbonated
Solution: These problems are not caused by the Smart Coupler. Follow established procedures to correct the problem.



OPERATING INSTRUCTIONS SMART COUPLER with Empty Keg Sensor

Part No.

□ 26000F



No. 26000F
Smart Coupler with Empty Keg Sensor

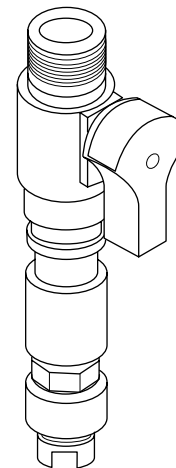
The Smart Coupler* combines a standard Perlick single-valve keg coupler with a specially-designed keg sensor that eliminates the line loss that normally follows every empty keg. Fresh kegs can be drawn off immediately. The beer lines are always full of beer.

- *Saves time*
- *Reduces beer waste*
- *Increases beer profits*
- *Reduces aggravation*

IMPORTANT!

To ensure your complete satisfaction, please read these instructions before using Perlick's Smart Coupler.

Retrofitting Single Valve Couplers



Perlick's Empty Keg Sensor
No. 40125
(Probe Washer Not Included)

Perlick single valve keg couplers can be retrofitted to function as Smart Couplers. Simply replace the probe with Perlick's No. 40125 empty keg sensor.

1. Remove probe washer from bottom of probe.
2. Remove retaining screw and yoke assembly.
3. Lift probe out of body.
4. Install Perlick's empty keg sensor. When replacing probe washer make sure the surface marked "up" faces the probe washer.



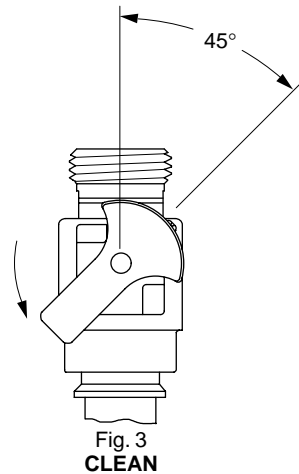
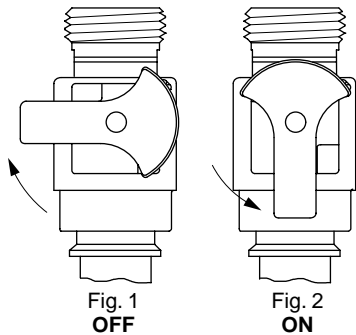
8300 West Good Hope Road • Milwaukee, WI 53223 • Phone 414-353-7060
Fax 414-353-7069 Toll Free 800-558-5592 • E-Mail: Perlick@Perlick.com • www.Perlick.com

Form Z2148

* U.S. Patent #5,630,411

Download from WwW.SoftManuAlS.com. All Manuals Search And Download.

Beer Flow Control Handle Operating Positions



Filling the Lines the First Time

1. Turn Beer Flow Control Handle **OFF**. (See Fig. 1).
2. Tap fresh keg.
3. Turn Beer Flow Control Handle to **CLEAN**. (See Fig. 3).
4. Open the beer faucet. When solid beer appears, close the faucet. The line is full.
5. Turn Beer Flow Control Handle **ON**. (See Fig. 2). The line is full and ready for service.

When Tapping Fresh Kegs

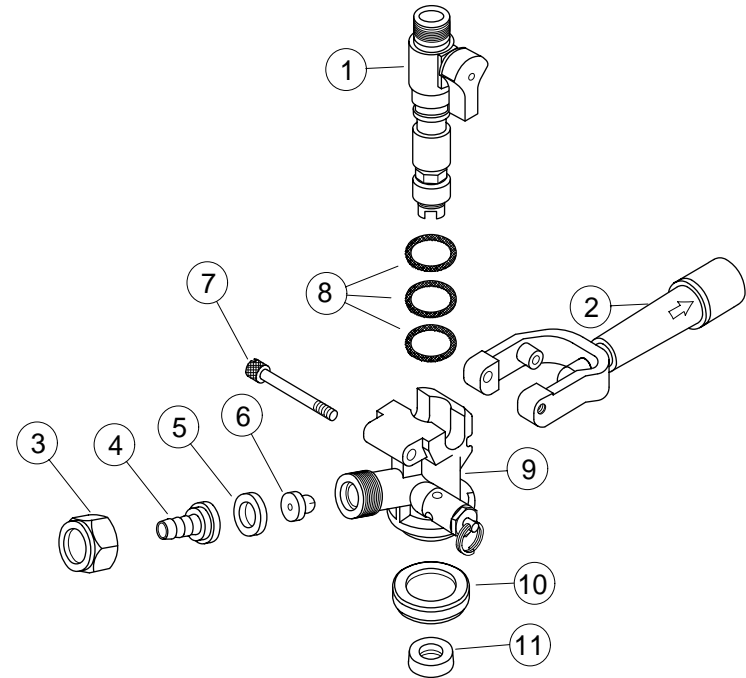
1. Remove coupler from empty keg.
2. Turn Beer Flow Control Handle **OFF**. (See Fig. 1).
2. Tap fresh keg in normal manner.
3. Turn Beer Flow Control Handle to **CLEAN** position. (See Fig. 3). Wait for five seconds then turn to ON position. (See Fig. 2).

To Restart System

If beer does not flow, first turn the Flow Control Handle to **OFF**. (See Fig. 1). Then turn Handle to the **CLEAN** position. (See Fig. 3). Wait for five seconds then turn the Handle to **ON** position. (See Fig. 2).

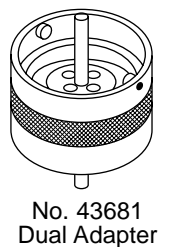
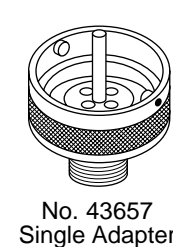
To Clean

1. Untap Keg in usual manner.
2. Turn Beer Flow Control Handle **OFF** (See Fig. 1).
3. Attach cleaning adapter. Use Perlick's single cleaning adapter, No. 43657, if cleaning from faucet to keg. If two or more lines are cleaned, use Perlick's dual cleaning adapter, No. 43681.
4. Turn Beer Flow Control Handle to **CLEAN** and clean as usual. (See Fig. 3).
5. After flushing, turn Beer Flow Control Handle **OFF** and retap keg. (See Fig. 1).
6. To restore service, see above instructions.



Item	Part No.	Description
1.	40125	Empty keg Sensor
2.	43001A	Std. Yoke Assy.
3.	2026	Hex Nut
4.	2068-1	Tailpiece
5.	157R2P	Washer
6.	23682-2P	Check Valve
7.	31084-1	Retaining Screw
8.	31089-2P	"O" Ring (3 per assy.)
9.	43061	Body w/relief valve
10.	31088-2P	Bottom Seal Washer
11.	31087-2P	Probe Washer

Cleaning Adapters



Warranty

Perlick products are fully guaranteed against defects in both material and workmanship for a period of one year from date of sale. Defective parts will be replaced on a no-charge basis, F.O.B. our factory, subject to our inspection. We are not responsible for parts damaged by alteration, unauthorized service, accident or abuse. All costs incident to replacement to include freight, labor and/or loss of sales are incidental to this warranty and must be borne by the user.

Free Manuals Download Website

<http://myh66.com>

<http://usermanuals.us>

<http://www.somanuals.com>

<http://www.4manuals.cc>

<http://www.manual-lib.com>

<http://www.404manual.com>

<http://www.luxmanual.com>

<http://aubethermostatmanual.com>

Golf course search by state

<http://golfingnear.com>

Email search by domain

<http://emailbydomain.com>

Auto manuals search

<http://auto.somanuals.com>

TV manuals search

<http://tv.somanuals.com>