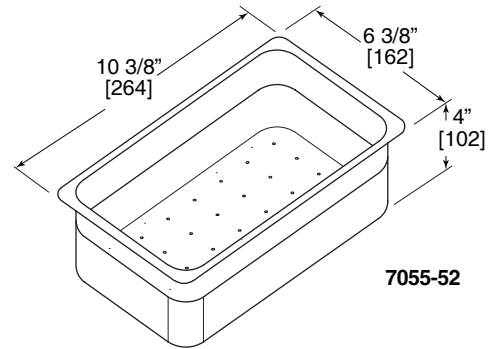


UNDERBAR ACCESSORIES BLENDERS AND SINKS

Job _____
 Area _____
 Item No. _____
 Model No. _____

WET WASTE BOX- PERFORATED

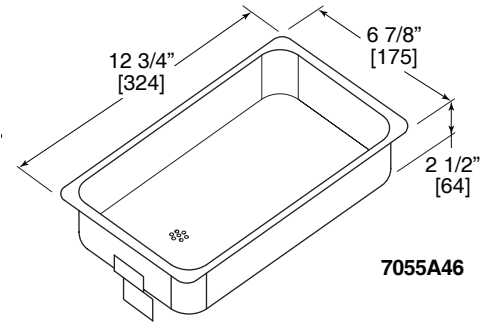
PART NO.	7055-52
APPLICATION	Perforated pan allows liquid to drain from wet waste into 12" and 14" stainless steel Blender Station bowls. Not applicable on full size stainless steel sinks.
MATERIAL	¼ size clear polycarbonate pan (2.7 quart) with 1/8" diameter holes in bottom.



7055-52

WET WASTE BOX- WITH DRAIN TUBE

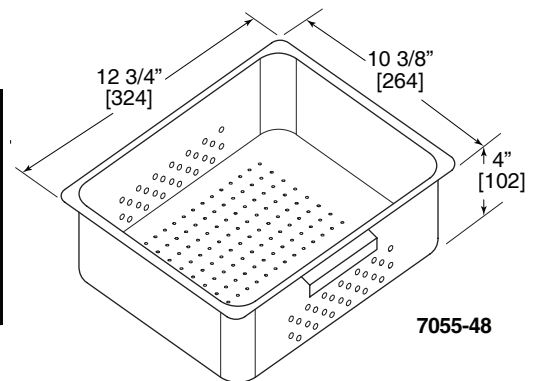
PART NO.	7055A46
APPLICATION	TS Series: Drains into standpipe on three and four tank sinks. NOTE: Use on sinks bowls without faucet (faucet body interferes with Wet Waste Box). TSD Series: Drains into standpipe on one, two, three and four tank sinks.
MATERIAL	1/3 size stainless steel pan (2.25 quart) with integral strainer and 3/4" diameter x 2 3/8" long drain tube.



7055A46

WET WASTE BOX- PERFORATED

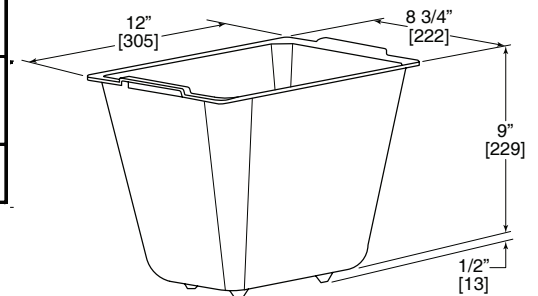
PART NO.	7055-48
APPLICATION	Perforated pan allows liquid to drain from wet waste into any sink with full size stainless steel bowl. Not applicable on 12" and 14" blenders.
MATERIAL	½ size stainless steel pan (7 quart) with 1/8" diameter holes in bottom and ¼" diameter holes on two sides.



7055-48

WET WASTE BOX - PERFORATED (UNIVERSAL)

PART NO.	UAC - WWB
APPLICATION	Perforated pan allows liquid to drain from wet waste into any sink with full size stainless steel bowl. Not applicable on 12" and 14" blenders.
MATERIAL	Black ABS (11 quart) with 3/16" diameter holes in bottom.



UAC-WWB



8300 West Good Hope Road • Milwaukee, WI 53223 • Phone 414-353-7060 • Fax 414-353-7069
 Toll Free 800-558-5592 • E-Mail: Perlick@Perlick.com • www.Perlick.com

UNDERBAR ACCESSORIES BLENDERS AND SINKS

Job _____
 Area _____
 Item No. _____
 Model No. _____

ELECTRONIC "TOUCH-FREE" FAUCET ADAPTER

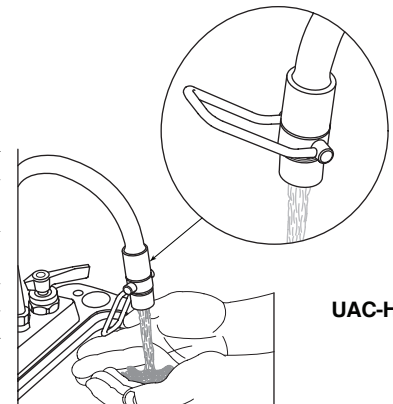
PART NO.	UAC-EFA
APPLICATION	Converts most faucets into an automatic "Touch-Free" faucet. Simply remove the faucet aerator and install the adapter to end of spout with a simple screw-on installation.
FLOW RATE	2.2 GPM Aerator. Infrared sensor stops water flow automatically. 3-minute automatic time-out feature minimizes chance of overflow. Manual on/off over-ride button provides constant flow to fill sink or containers.
WATER TEMP.	Manually set the faucet handles to desired temperature.
POWER SUPPLY	(4) AAA Batteries (not included). Low battery indicator.
SENSOR RANGE	2"- 10" (5- 25cm) based on sink type and illumination.
WORKING PRESSURE	10-125 psi



UAC-EFA

AUTOMATIC FAUCET CONTROLLER

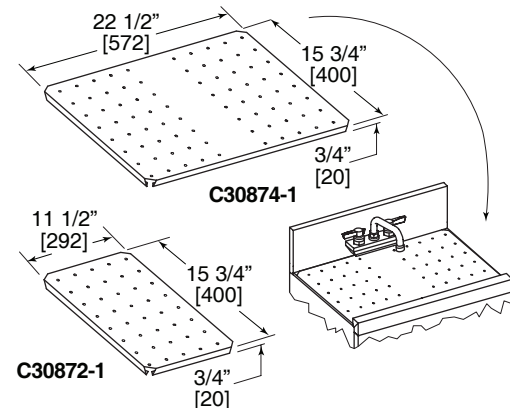
PART NO.	UAC-HWFC
APPLICATION	Converts any faucet to "Hands-Free". Simply remove the faucet aerator and install controller to end of spout (supplied with universal adapters).
FLOW RATE WATER TEMP	Manually set the faucet handles to desired water flow and temperature.
MATERIALS	Brass and stainless steel with an anti-microbial coated lever
OPERATION	Automatic self-closing "Hands-Free" full on position



UAC-HWFC

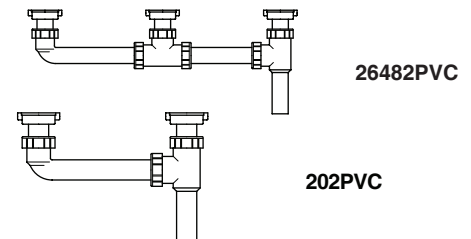
PERFORATED COVER-STAINLESS STEEL

APPLICATION	PART NO.
Converts complete bowl opening on TS12HS to a Drainboard.	C30872-1
Converts complete two bowl opening on TS22C to a Drainboard.	C30874-1



DRAIN ASSEMBLES-PVC

APPLICATION	PART NO.
Sinks with two stainless steel bowls (ex. TS22C)	202PVC
Sinks with three stainless steel bowls (ex. TS33C)	26482PVC
Sinks with four stainless steel bowls (ex. TS44C)	26843PVC



8300 West Good Hope Road • Milwaukee, WI 53223 • Phone 414-353-7060 • Fax 414-353-7069
 Toll Free 800-558-5592 • E-Mail: Perlick@Perlick.com • www.Perlick.com

Perlick is committed to continuous improvement.

Therefore, we reserve the right to change specifications without prior notice.

Form No. ACC-02
 Rev. 04.23.10

Download from Wwww.Somanuals.com. All Manuals Search And Download.

Free Manuals Download Website

<http://myh66.com>

<http://usermanuals.us>

<http://www.somanuals.com>

<http://www.4manuals.cc>

<http://www.manual-lib.com>

<http://www.404manual.com>

<http://www.luxmanual.com>

<http://aubethermostatmanual.com>

Golf course search by state

<http://golfingnear.com>

Email search by domain

<http://emailbydomain.com>

Auto manuals search

<http://auto.somanuals.com>

TV manuals search

<http://tv.somanuals.com>