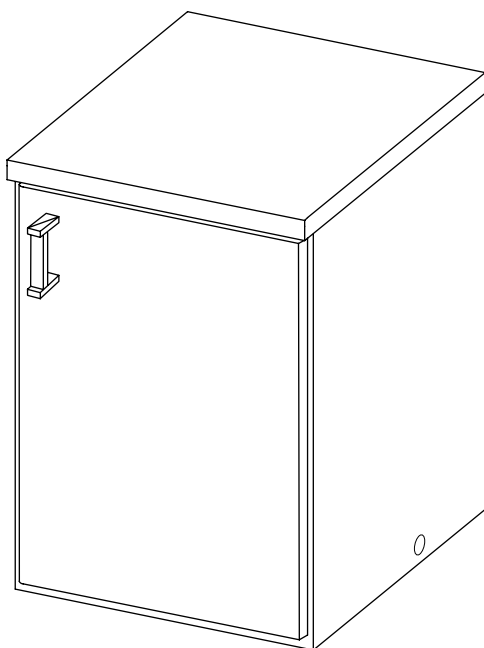


INSTALLATION AND OPERATION INSTRUCTIONS SINGLE DOOR BACK BAR COOLER



MODEL NOS.

CS1DPSP



IMPORTANT INFORMATION

A Warranty card is enclosed that must be filled out and mailed to the Perlick Corporation in order to register the warranty. If the card is not returned to Perlick, the warranty period will begin from the date the equipment is shipped from the factory.

This manual has been prepared to assist you in the installation of your Single Keg Dispenser and to acquaint you with its operation and maintenance.

We dedicate considerable time to ensure that our products provide the highest level of customer satisfaction. If service is required, your dealer can provide you with a list of qualified service agents. For your own protection, never return merchandise for credit without our approval.

We thank you for selecting a Perlick product and assure you of our continuing interest in your satisfaction.

WARNING: When lifting, the full weight of the cabinet must be supported. Lift from the cabinet base and not from the top. Improper lifting can result in severe damage to the cabinet.

Table of Contents

PREPARING THE CABINET FOR USE	
Specifications.....	2
List of Included Parts.....	3
Tools Required.....	3
Plumbing.....	3
Electrical.....	3
Uncrating.....	3
Installing Casters.....	3
Placing the Cabinet.....	3
Leveling the Cabinet.....	3
Installing Base Plates.....	3
TEMPERATURE	
Refrigeration and Temperature Control.....	4
Adjusting the Temperature.....	4
CLEANING	
Cleaning the Cabinet.....	4
Cleaning the Condenser.....	4
Condenser.....	4
GENERAL INFORMATION	
REPLACEMENT PARTS.....	5
Wiring Diagram.....	6

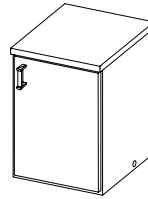


8300 West Good Hope Road • Milwaukee, WI 53223 • Phone 414-353-7060 • Fax 414-353-7069
Toll Free 800-558-5592 • E-Mail: Perlick@Perlick.com • www.Perlick.com

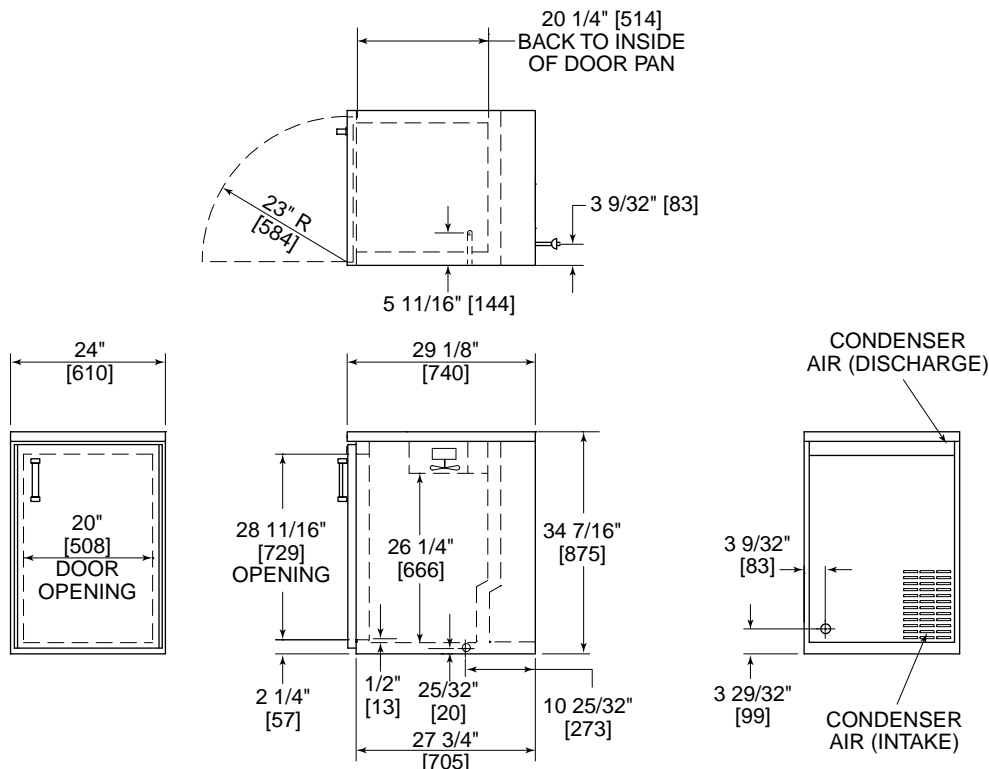
Form No. Z2091A
Rev. 08.03.04

Installation and Operating Instructions

Sizes and Specifications, Single Door Back Bar Cooler



MODEL NOS.	CS1DPSP
CONDENSING UNIT H.P.	1/6 h.p
AMPS	3.2
SHIP WT lbs. (kg)	205 (93)
INTERIOR	Door Sill: Reinforced 14 gauge stainless steel sill. Door Pan: High strength polystyrene. Floor Pan: Stainless steel. Walls & Ceiling: Galvanized steel. Includes pilasters, two shelves and one (1) mini-flourescent energy efficient light.
EXTERIOR	Stainless steel top with square edges. Door, front, back and ends, black texture-painted steel. Decorative handle and lock. Base is black painted galvanized steel. Full back panel with air gap vent on top.
REFRIGERATION	R-134a capillary tube-type. Aluminum fin and copper tube evaporator coil. Adjustable temperature control. Self-defrosting.
VENTILATION	Two inches of clearance is required behind cabinet for proper air flow.
ELECTRICAL	115 Volt, 60 Hz., 1 Phase AC. Furnished with three prong, six foot rubber cord. Contact Perlick-Milwaukee for other voltages/frequency requirements.
PLUMBING	Floor drain 3/4" female taper pipe exits out right bottom or right end.
VENTILATION	Requires tow inches of clearance at back of cabinet for proper air-flow.
OPTIONAL ACCESSORIES	• Leg Set • Caster Set • Leg & Front Base Plate



Perlick is committed to continuous improvement. Therefore, we reserve the right to change specifications without prior notice.

Preparing the Cabinet for Use – Single Door Back Bar Cooler

Parts List

- (2) Shelves.
- Mini-Flourescent Light.
- Shelf Clips.

Tools Required

- #2 Phillips Screwdriver.
- 10" Crescent Wrench.
- $\frac{9}{16}$ " Allen Wrench.
- $\frac{3}{8}$ " Nut driver.
- power Drill or Driver (for Leg Installation).

Plumbing

Features a floor drain with a $\frac{3}{4}$ " female pipe thread connection for disposal of condensate. Remove bottom or side drain plug with Allen wrench and attach $\frac{3}{4}$ " male pipe to external drain.

Electrical

The cabinet must be connected to a separately fused power source (see electrical specification plate) and grounded in accordance with National and Local Electrical Codes. Caution: Do not attempt to operate the equipment on any other power source than that listed on the Electrical Specification plate.

Uncrating and Inspection

Remove all crating material before operating. Carefully inspect cabinet for hidden damage. If damage is discovered, file your claim immediately with the transportation company. Perlick is not responsible for damage in transit.

Installing Casters (Optional)

Attach four casters to the cabinet bottom; rigid casters at the rear and swivel casters on the front. Use the supplied $\frac{1}{4}$ "- 20 x $\frac{3}{4}$ " hex head self-tapping machine screws.

Placing the Cabinet

Push the cabinet into place using rollers when necessary. Important: Proper air flow around the condensing unit is necessary for efficient operation. Never obstruct the air flow in and out of the condensing unit. A minimum of 2" clearance is required from back.

Leveling the Cabinet

When the cabinet is in place, check installation with carpenter's level. When perfectly level, accumulated water will drain out. A slight pitch to the drain side will not harm the cabinet. Water may accumulate if cabinet is pitched to the opposite side.

Installing Base Plate (Optional)

Attach brackets to cabinet bottom in holes provided. Use #10 self-drilling hex sheetmetal screws. (See separate instructions, provided with kit). When returning cabinet to upright position, be careful not to bend brackets.

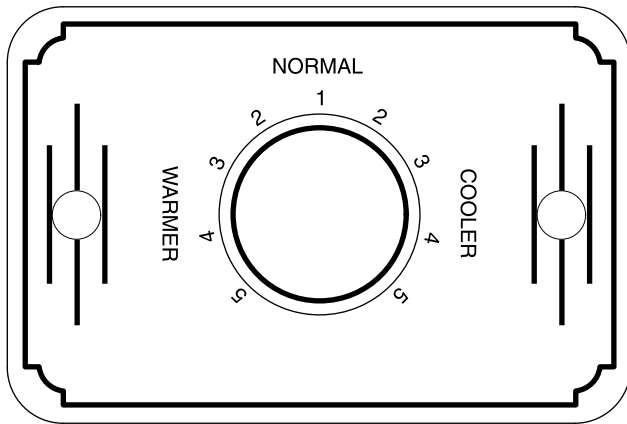
WARNING!

To avoid compressor damage, after returning cabinet to an upright position, let unit stand for 24 hours before plugging it in and running the unit.

General Information – Single Door Back Bar Cooler

Refrigeration and Temperature Control

The Back Bar cabinet is equipped with a heavy-duty refrigeration system designed to automatically maintain a storage temperature of 36-41 degrees F. The control is factory set at 38 degrees F.



Adjusting the temperature

The temperature control is inside the cabinet on the right-hand side of the evaporator fan panel assembly. You will need a screwdriver to turn the adjusting screw. Make small adjustments until the desired temperature is achieved.

■ Colder Temperatures:

Turn the adjusting screw clockwise (to the right).

■ Warmer Temperatures:

Turn the adjusting screw counterclockwise (to the left).

In normal operation the condensing unit will run approximately 16 hours per day. The condenser fan motor turns off and on with the condensing unit. The evaporator fan motor runs continuously. The fan motors are lifetime lubricated and will require no oiling.

NOTE:

Cabinet Temperatures lower than 34° will not allow for proper defrosting of the evaporator coil. If defrosting is necessary, turn the control knob to the OFF position until coil is defrosted.

Cleaning the Cabinet

Use a mild detergent and water to clean the inside and outside of the cabinet. Dry thoroughly. Never use a scouring pad or abrasive cleanser.

NOTE: An industrial strength, commercial cleaner can be used to clean the outside of painted cabinets.

Cleaning the Condenser

Use a long handled, stiff brush to clean the dirt from the front surface of the condenser. Keeping the condenser free from dust and dirt will ensure efficient operation.

CAUTION: Do not bend the fins while brushing the front of the condenser.

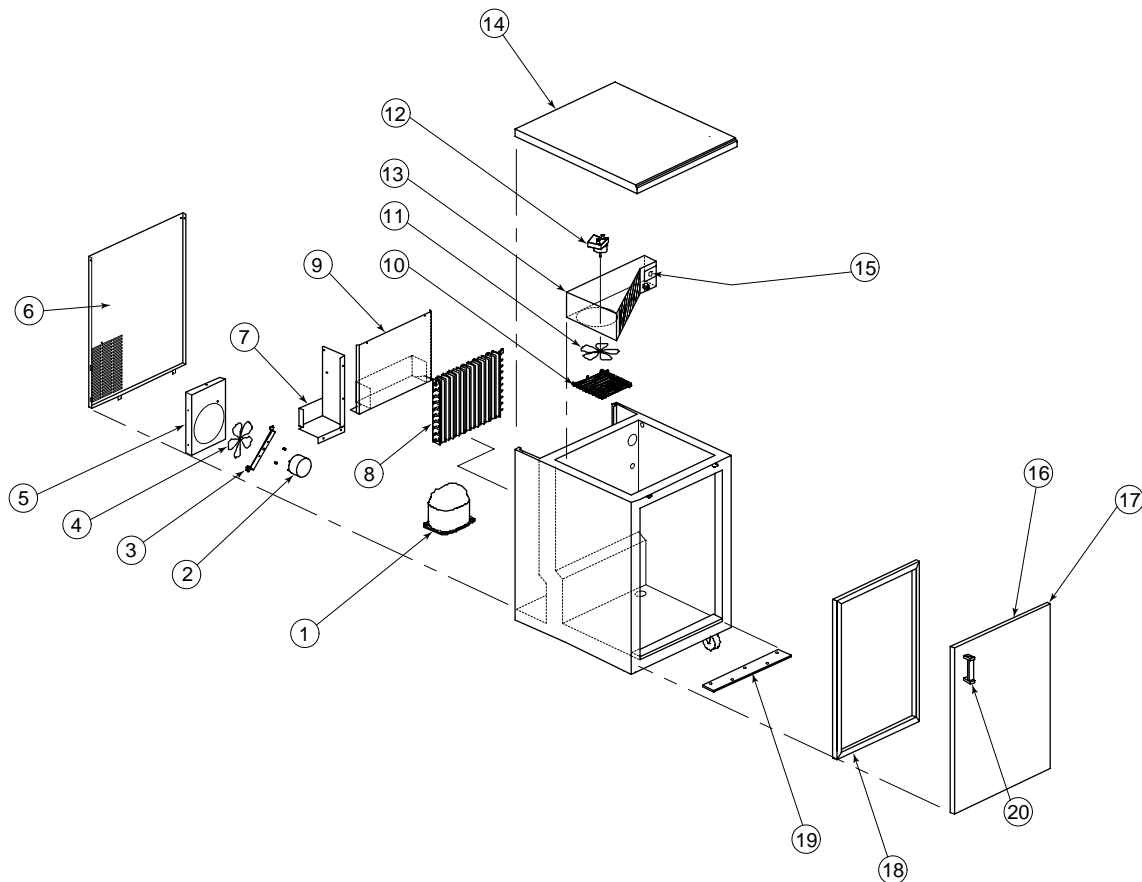
Condenser

The condenser (located behind the back cover) should be inspected every 30 days and cleaned, if necessary. Failure to keep the condenser clean will cause a loss in condenser unit efficiency.



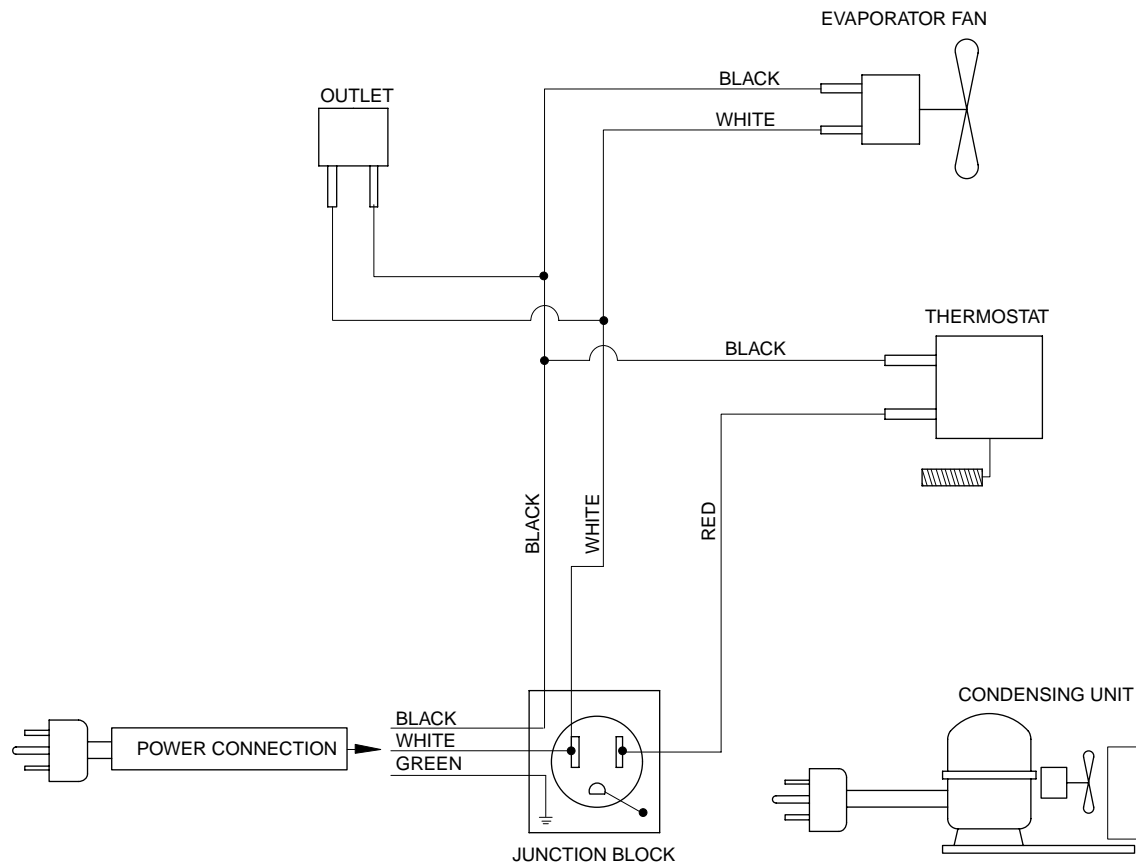
Replacement Parts – Single Door Back Bar Cooler

MODEL NOS.		CS1DP
Item	Description	Part #'s
1	Compressor for R134a	C22650
2	Condenser fan motor	C15240A
3	Condenser fan motor bracket	61289-1
4	Condenser fan blade	C6914
5	Condenser fan pan	62209-1
6	Rear panel	62433-1
7	Back panel partition	62131-1
8	Condenser assembly	C18634A
9	Condenser panel	62132-1
10	Evaporator fan guard	C25400A1
11	Evaporator fan blade - 5½"	C14649
12	Evaporator fan motor	C15239A
13	Evaporator assembly - complete	62212B
14	Top assembly	62439
15	Temperature control parts kit	57360
16	Right hinged door assembly	64357SRBL
	Left hinged door assembly	64357SLBL
17	Door hinge kit, right	63407R
	Door hinge kit, left	63407L
18	Magnetic door gasket	62085-1
19	Door sill	60944-1
20	Door handle	C31409-1
Parts Not Shown on Drawing		
	Light, mini-flourecent	57822A
	Wiring harness	61346-1
	Door lock with keys	57851
	Drain line hose kit	57854



Perlick is committed to continuous improvement. Therefore, we reserve the right to change specifications without prior notice.

Wiring Diagram – Single Door Back Bar Cooler



8300 West Good Hope Road • Milwaukee, WI 53223 • Phone 414-353-7060 • Fax 414-353-7069
Toll Free 800-558-5592 • E-Mail: Perlick@Perlick.com • www.Perlick.com

Perlick is committed to continuous improvement. Therefore, we reserve the right to change specifications without prior notice. Form No. Z2091A
Rev. 08.03.04

Free Manuals Download Website

<http://myh66.com>

<http://usermanuals.us>

<http://www.somanuals.com>

<http://www.4manuals.cc>

<http://www.manual-lib.com>

<http://www.404manual.com>

<http://www.luxmanual.com>

<http://aubethermostatmanual.com>

Golf course search by state

<http://golfingnear.com>

Email search by domain

<http://emailbydomain.com>

Auto manuals search

<http://auto.somanuals.com>

TV manuals search

<http://tv.somanuals.com>