

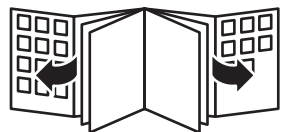
Register your product and get support at
www.philips.com/welcome

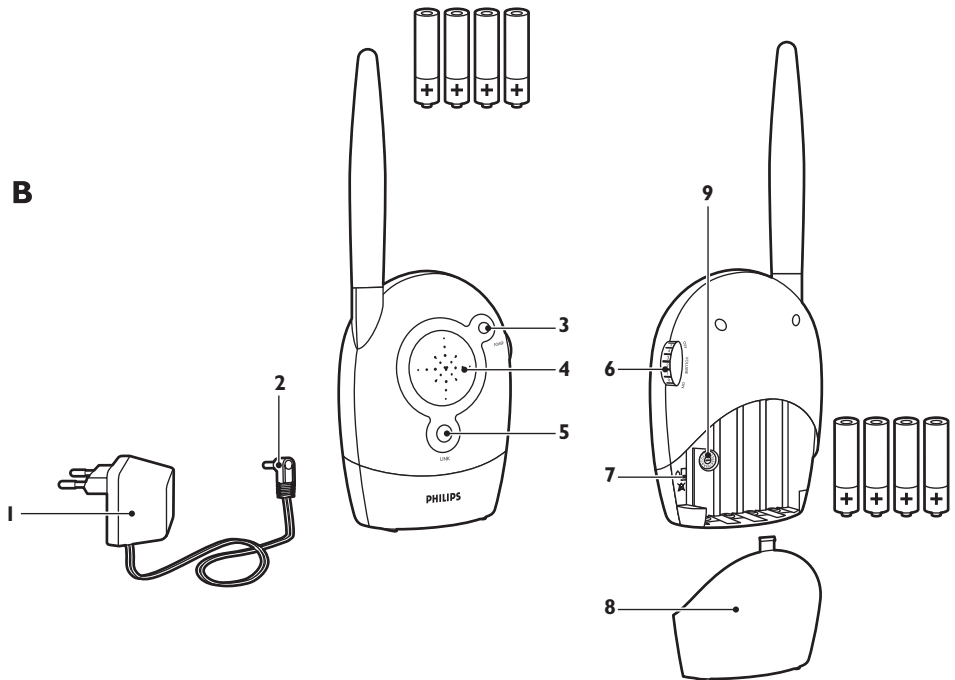
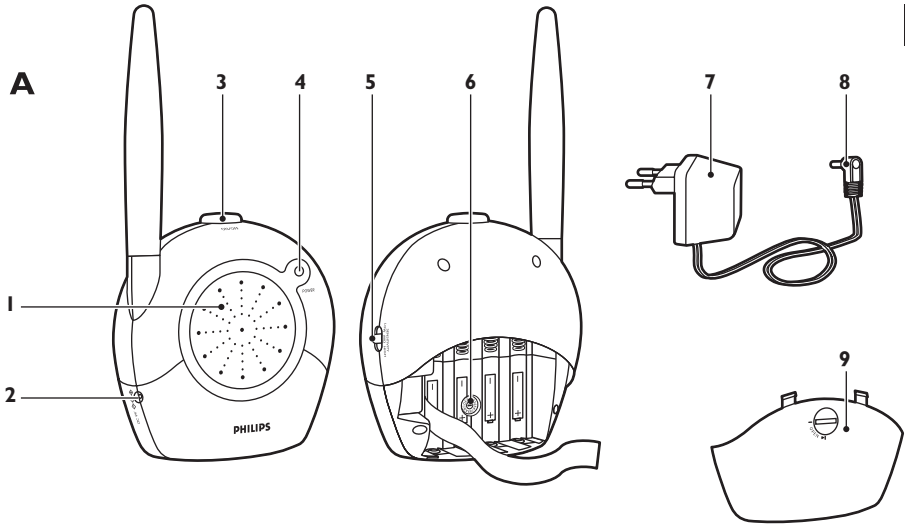
SCD480



PHILIPS

AVENT





ENGLISH	6
БЪЛГАРСКИ	13
ČEŠTINA	21
EESTI	28
HRVATSKI	35
MAGYAR	43
ҚАЗАҚША	50
LIETUVIŠKAI	58
LATVIEŠU	65
POLSKI	72
ROMÂNĂ	80
РУССКИЙ	88
SLOVENSKY	96
SLOVENŠČINA	104
SRPSKI	111
УКРАЇНСЬКА	119

Introduction

Congratulations on your purchase and welcome to Philips AVENT! To fully benefit from the support that Philips AVENT offers, register your product at www.philips.com/welcome.

Philips AVENT is dedicated to producing caring, reliable products that give parents the reassurance they need. This Philips AVENT baby monitor allows you to hear your baby from wherever you are in and around your home. The sixteen different channel options guarantee minimal interference and a secure reception, enabling you to be in constant contact with your baby.

General description (Fig. 1)

A Baby unit

- 1 Microphone
- 2 Socket for small plug
- 3 On/off button
- 4 Power-on light
- 5 Microphone sensitivity control
- 6 Channel selector
- 7 Adapter
- 8 Small plug
- 9 Battery compartment lid

B Parent unit

- 1 Adapter
- 2 Small plug
- 3 Power-on light
- 4 Loudspeaker
- 5 Connection light
- 6 Volume control with on/off function
- 7 Connection alarm switch
- 8 Battery compartment lid
- 9 Channel selector

Important

Read these instructions for use carefully before you use the appliance and save them for future reference.

Danger

- Never immerse any part of the baby monitor in water or any other liquid.

Warning

- Check if the voltage indicated on the adapters of the baby unit and the parent unit correspond to the local mains voltage before you connect the appliance.
- Only use the adapters supplied to connect the baby unit and the parent unit to the mains.
- The adapters contain a transformer. Do not cut off the adapters to replace them with other plugs, as this causes a hazardous situation.
- If the adapters are damaged, always have them replaced with one of the original type in order to avoid a hazard. For the correct type, see chapter 'Replacement'.
- Never use the baby monitor in moist places or close to water.
- Except for the battery compartments, do not open the housing of the baby unit or the parent unit in order to prevent electric shock.
- This appliance is not intended for use by persons (including children) with reduced physical, sensory or mental capabilities, or lack of experience and knowledge, unless they have been given supervision or instruction concerning use of the appliance by a person responsible for their safety.

- Children should be supervised to ensure that they do not play with the appliance.
- The baby monitor has an operating range of 200 meters/600 feet in open air. Depending on the surroundings and other disturbing factors, the operating range may be smaller (see section 'Operating range', in chapter 'Using the appliance'.

Caution

- Use and store the appliance at a temperature between 10°C and 40°C.
- Do not expose the baby unit and parent unit to extreme cold, heat or direct sunlight.
- Make sure the baby unit and its cord are always out of reach of the baby (at least 1 metre/3 feet away).
- Never place the baby unit inside the baby's bed or playpen.
- Never cover the parent unit and the baby unit with anything (e.g. a towel or blanket).
- Always place non-rechargeable batteries of the correct type in the baby unit and the parent unit.

General

- This baby monitor is intended as an aid. It is not a substitute for responsible and proper adult supervision and should not be used as such.

Electromagnetic fields (EMF)

This Philips AVENT appliance complies with all standards regarding electromagnetic fields (EMF). If handled properly and according to the instructions in this user manual, the appliance is safe to use based on scientific evidence available today.

Preparing for use

Baby unit

You can use the baby unit from the mains or on non-rechargeable batteries. Even if you are going to use the unit from the mains, we advise you to insert the non-rechargeable batteries. This guarantees automatic back-up in case of mains failure.

Mains operation

- 1 Put the appliance plug in the baby unit and put the adapter into a wall socket (Fig. 2).**
The power-on light goes on.

Operation on non-rechargeable batteries

The baby unit runs on four 1.5V R6 AA batteries (not included). We strongly advise you to use Philips LR6 PowerLife batteries.

Do not use rechargeable batteries, as the baby unit does not have a charging function.

Unplug the baby unit and make sure your hands and the unit are dry when you insert the non-rechargeable batteries.

- 1 Unlock the battery compartment lid by turning the locking knob with a coin. Then remove the lid (Fig. 3).**
- 2 Insert four non-rechargeable batteries.**
Make sure the + and - poles of the batteries point in the right direction.
- 3 Reattach the battery compartment lid and close it by turning the locking knob with a coin.**
When the batteries are low, the power light on the baby unit flashes red.

Parent unit

You can use the parent unit from the mains or on non-rechargeable batteries. Even if you are going to use the unit from the mains, we advise you to insert the non-rechargeable batteries. This guarantees automatic back-up in case of mains failure.

Mains operation

- 1 Put the appliance plug in the parent unit and put the adapter into a wall socket. The power-on light goes on.

Operation on non-rechargeable batteries

The parent unit runs on four 1.5V R6 AA batteries (not included). We strongly advise you to use Philips LR6 PowerLife batteries.

Do not use rechargeable batteries, as the parent unit does not have a charging function.

Unplug the parent unit and make sure your hands and the unit are dry when you insert the non-rechargeable batteries.

- 1 Turn the locking knob a quarter turn (1) and slide the battery cover downwards to remove it (2) (Fig. 4).
- 2 Insert four non-rechargeable batteries. Make sure the + and - poles of the batteries point in the right direction.
- 3 Replace the battery compartment lid.

Note: When the batteries are low, the power light on the parent unit flashes red.

Note: When the batteries are completely empty, the parent unit automatically switches off and loses contact with the baby unit.

Using the appliance

- 1 Place the two units in the same room to test the connection (Fig. 5). Make sure the baby unit is at least 1 metre/3 feet away from the parent unit.
 - 2 Press the on/off button to switch on the baby unit (Fig. 6). The power-on light lights up green continuously.
 - 3 Turn the volume control to switch on the parent unit and to set the volume to the level you prefer. (Fig. 7).
The power-on light lights up green continuously.
- When a connection has been established between the units, the connection light on the parent unit lights up green constantly.

Note: It takes about 30 seconds before a connection is established.

Note: If a connection cannot be established, the connection light on the parent unit flashes red.

- 4 Place the baby unit at least 1 metre/3 feet away from your baby (Fig. 8).
- 5 Place the parent unit within the operating range of the baby unit. Make sure it is at least 1 metre/3 feet away from the baby unit. For more information on the operating range, see section 'Operating range' below (Fig. 9).

Operating range

The operating range of the baby monitor is 200 metres/600 feet in open air. Depending on the surroundings and other disturbing factors, this range may be smaller.

Dry materials	Material thickness	Loss of range
Wood, plaster, plaster cardboard, glass (without metal, wires or lead)	<30cm/12in	0-10%
Brick, plywood	<30cm/12in	5-35%

Dry materials	Material thickness	Loss of range
Reinforced concrete	<30cm/12in	30-100%
Metal grilles or bars	<1cm/0.4in	90-100%
Metal or aluminium sheets	<1cm/0.4in	100%

For wet and moist materials, the range loss may be up to 100%.

Features

Digital signal confirmation

The parent unit has a link light that continuously advises you of the status of the connection between the baby and the parent units. You can set an alert on the parent unit to notify you if the link is lost. The alert will sound an audible beep and the link light will flash red when a connection is lost.

To activate the alert on the parent unit:

- 1 Turn the locking knob a quarter turn (1) and slide the battery cover downwards to remove it (2) (Fig. 4).
 - 2 Set the link alarm switch in the battery compartment to the 'on' position.
 - 3 Replace the battery compartment lid.
- To switch off the alert, set the link alert switch to the 'off' position.

Adjustable sound sensitivity

With the microphone sensitivity control on the baby unit, you can set the sound that is picked up by the baby unit to the desired level: low, mid or high. When the microphone sensitivity is set to 'high', the baby unit picks up all sounds.

Note: The sensitivity of the baby unit can only be changed when there is a connection between the baby unit and the parent unit.

- 1 Use the microphone sensitivity control to set the microphone sensitivity of the baby unit to the desired level. You can use your own voice as a sound reference (Fig. 10). The power-on light on the baby unit turns yellow when a sound is transmitted.

Note: Whilst operating on batteries, if the sensitivity is set to a high level, the parent unit will consume more power.

Adjustable loudspeaker volume

You can change the volume on the parent unit, so you can adjust to suit your surroundings.

- 1 Turn the volume dial on the right side of the parent unit until the desired loudspeaker volume for the parent unit has been reached.

Note: Whilst operating on batteries, if the volume is set to a high level, the parent unit will consume more power.

Channel selector

Always make sure that the channel selectors inside the battery compartments of both units are set to the same channel. With these channel selectors, you can select sixteen different channel positions. If you experience interference from other baby monitors, radio devices etc., select a different channel..

- 1 Open the battery compartment lids of both units.

► **Baby unit: (Fig. 3)**

- Turn the locking knob with a coin and remove the lid.
- Remove the batteries from the battery compartment, if present.
- Use a small, flat screwdriver to turn the channel selector to the desired position.

► **Parent unit: (Fig. 4)**

- Turn the locking knob a quarter turn (1) and slide the battery cover downwards to remove it (2).
- Remove the batteries from the battery compartment, if present.
- Use a small, flat screwdriver to turn the channel selector to the desired position.

Note: Make sure both units are set to the same channel.

If you do not experience any interference when you test the connection, close the battery compartments of the baby and the parent units.

If you experience interference, set the selector to another channel and test the connection again.

If the units are operating on non-rechargeable batteries, replace the batteries and close the battery compartments.

Cleaning and Maintenance

Do not immerse the parent unit or the baby unit in water and do not clean them under the tap.

Do not use cleaning spray or liquid cleaners.

- Unplug the baby unit or the parent unit if they are connected to the mains.
- Clean the parent unit and the baby unit with a damp cloth.

Make sure the units are dry before you connect them to the mains.

- Clean the adapters with a dry cloth.

Storage

When you are not going to use the baby monitor for some time, remove the non-rechargeable batteries from the baby unit and parent unit. Store the baby unit, the parent unit and the adapters in a cool and dry place.

Replacement

Baby unit

Batteries

Only replace the non-rechargeable batteries of the baby unit with four 1.5V R6 AA batteries.

Note: We strongly advise you to use *Philips non-rechargeable batteries*.

Adapter

Only replace the adapter of the baby unit with an adapter of the original type. You can order a new adapter from your dealer or a Philips service centre:

- SBC CS0920/00W (EU/SGP only)
- SBC CS0920/05W (UK only)
- 9VD200 (AU/NZ only)

Parent unit

Batteries

Only replace the non-rechargeable batteries of the parent unit with four 1.5V R6 AA batteries.

Note: We strongly advise you to use *Philips non-rechargeable batteries*.

Adapter

Only replace the adapter of the parent unit with an adapter of the original type. You can order a new adapter from your dealer or a Philips service centre:

- SBC CS0920/00W (EU/SGP only)
- SBC CS0920/05W (UK only)
- 9VD200 (AU/NZ only)

Environment

- ▶ **Do not throw away the appliance with the normal household waste at the end of its life, but hand it in at an official collection point for recycling. By doing this, you help to preserve the environment (Fig. 11).**
- ▶ **Batteries contain substances that may pollute the environment. Do not throw empty batteries away with the normal household waste, but hand them in at an official collection point. Always remove the batteries before discarding the appliance or handing it in at an official collection point. (Fig. 12)**

Guarantee and service

If you need service or information or if you have a problem, please visit the Philips AVENT website at **www.philips.com/AVENT** or contact the Philips Consumer Care Centre in your country (you can find the phone number in the worldwide guarantee leaflet). If there is no Consumer Care Centre in your country, go to your local Philips dealer.

Frequently asked questions

This chapter lists the questions most frequently asked about the appliance. If you cannot find the answer to your question, contact the Customer Care Centre in your country.

Question	Answer
Why is the power-on light not on?	Perhaps the appliance plug has not been inserted properly into the socket on the unit, or perhaps the adapter has not or not properly been inserted into the wall socket.
	You may also have forgotten to switch on the units. Press the on/off button on the baby unit and turn the volume control on the parent unit downwards to switch on the units.
	If you operate the units on batteries, the batteries may be low. In that case, replace the batteries.
Why does the power on light flash red?	You are operating the unit on batteries and the batteries are low. Replace the batteries.
Why does the parent unit produce a high pitched noise?	The units are too close together. Move the parent unit at least 1 metre/3 feet away from the baby unit. If this does not help, the volume is too high. Turn the volume control to a lower volume.
Why is there no sound coming from the parent unit?	Check if the volume is set high enough. If the volume is too low, turn the volume control to a higher volume. Also check the microphone sensitivity of the baby unit.

Question	Answer
Why does the link light flash red?	It flashes red because there is no connection. The parent unit may be out of range of the baby unit or may be set to a different channel than the baby unit. Check if the parent unit and the baby unit are both set to the same channel. If they are, put the parent unit in a different place, closer to the baby unit.
Why does the parent unit beep?	What you hear is the link alarm. It indicates that there is no link between the baby and the parent units. The parent unit may be out of range of the baby unit or may be set to a different channel than the baby unit. Check if the parent unit and the baby unit are both set to the same channel. If they are, put the parent unit in a different place, closer to the baby unit.
Why does the parent unit react too slowly to the baby's sounds?	Set the microphone sensitivity on the baby unit to a higher level and/or move the baby unit closer to the baby. Make sure the baby unit is at least 1 metre/3 feet away from the baby.
Why does the parent unit react too quickly to other sounds?	Set the microphone sensitivity on the baby unit to a lower level and/or move the baby unit closer to the baby.
Why is the connection lost every now and then?	The parent unit is probably close to the boundaries of the operating range. Put the parent unit closer to the baby unit in a place where it has better reception. Please note that it takes about 30 seconds before the connection is re-established when you move one or both of the units.
Why do I get interference on the parent unit?	You may get interference when the parent unit is out of range of the baby unit. The parent unit may also be too close to a window and pick up interfering signals through this window. Move the parent unit away from the window. Interference also occurs if there are too many walls or ceilings between the parent unit and the baby unit. Put the parent unit in a different place, closer to the baby unit. Also make sure the units are well away from mobile or cordless phones, radios or TVs.
Why does the parent unit pick up signals from another baby monitor?	The baby monitor operates on the same channel as another baby monitor in the neighbourhood. Set both units to a different channel with the channel selector.
Why doesn't the baby monitor manage the specified range of 200m?	The specified range of 200 metres is only valid in open air. Inside the house the range is limited by the number and type of walls and/or ceilings between the two units. Change the position of one or both units to optimise the range.
What happens when there is a mains failure?	If you are using the units from the mains without having put batteries in them, the connection will be lost when there is a mains failure. If there are batteries in both units, they will automatically switch to battery power in case of a mains failure and the connection will not be lost.

Увод

Поздравления за вашата покупка и добре дошли във Philips AVENT! За да се възползвате изцяло от предлаганата от Philips AVENT поддръжка, регистрирайте продукта си на www.philips.com/welcome.

Усилията на Philips AVENT са съсредоточени върху производството на грижовни и надеждни изделия, които създават увереност у родителите. С този бебелефон можете да чувате бебето от което и да е място в дома ви и около него. Шестнадесетте различни канала гарантират минимум смущения и сигурно приемане, което ви позволява да сте в постоянен контакт с бебето.

Общо описание (фиг. 1)

А Устройство за бебето

- 1 Микрофон
- 2 Гнездо за малък жак
- 3 Бутон on/off (вкл./изкл.)
- 4 Индикаторна лампа
- 5 Регулиране на чувствителността на микрофона
- 6 Превключвател на канали
- 7 Адаптер
- 8 Малък жак
- 9 Капак на отделението за батерии

В Родителско устройство

- 1 Адаптер
- 2 Малък жак
- 3 Индикаторна лампа
- 4 Високоговорител
- 5 Светлинен индикатор за връзка
- 6 Регулатор на силата на звука с ключ за вкл./изкл.
- 7 Ключ за известяване за връзка
- 8 Капак на отделението за батерии
- 9 Превключвател на канали

Важно

Преди да използвате уреда, прочетете внимателно това ръководство за експлоатация и го запазете за справка в бъдеще.

Опасност

- Не потапяйте никоя част от бебелефона във вода или друга течност.

Предупреждение

- Преди да включите уреда в контакта, проверете дали напрежението, показано на адаптерите на устройството за бебето и на родителското устройство, отговаря на това на местната мрежа.
- За включване на устройството за бебето и родителското устройство към мрежата използвайте само доставените с комплекта адаптери.
- В адаптера има трансформатор. Не отрязвайте адаптерите, за да ги замените с други щепсели, тъй като това носи опасност.
- Ако адаптерите се повредят, винаги трябва да осигурявате замената им с такива от оригиналния тип, за да се избегне опасност. За правилния тип вижте раздела "Замяна".
- Не използвайте бебелефона на влажни места или в близост до вода.
- С оглед избягване на електрически удар, не отваряйте корпусите на устройството за бебето или на родителското устройство, с изключение на отделенията за батерии.

14 БЪЛГАРСКИ

- Този уред не е предназначен за ползване от хора (включително деца) с намалени физически усещания или умствени недостатъци или без опит и познания, ако са оставени без наблюдение и не са инструктирани от страна на отговарящо за тяхната безопасност лице относно начина на използване на уреда.
- Наглеждат децата, за да не си играят с уреда.
- Бебелефонът е с радиус на действие на открито до 200 метра. В зависимост от околните предмети и други препятствия радиусът на действие може да е по-малък (вж. раздел "Радиус на действие" в глава "Използване на уреда").

Внимание

- Използвайте и съхранявайте уреда при температури между 10°C и 40°C.
- Не излагайте устройството за бебето и родителското устройство на твърде ниски или твърде високи температури и на директна слънчева светлина.
- Убедете се, че устройството за бебето и кабелът му ще са винаги далече от достъпа на бебето (поне на 1 метър от него).
- Не слагайте устройството за бебето в бебешкото легло или кошарка.
- Никога не покривайте родителското устройство и това за бебето с каквото и да е било (напр. кърпа или одеяло).
- Винаги поставяйте обикновени батерии от правилния тип в устройството за бебето и родителското устройство.

Общи положения

- Този бебелефон е помощно средство. Той не може да е заместител на отговорния и навременен родителски контрол и не трябва да се използва като такъв.

Електромагнитни излъчвания (EMF)

Този уред Philips AVENT е в съответствие с всички стандарти по отношение на електромагнитните излъчвания (EMF). Ако се употребява правилно и съобразно напътствията в Ръководството, уредът е безопасен за използване според наличните досега научни факти.

Подготовка за употреба

Устройство за бебето

Можете да използвате устройството за бебето със захранване от мрежата или с обикновени батерии. Дори да възнамерявате да използвате устройството от мрежата, съветваме ви да поставите обикновените батерии. Това ще осигури непрекъснатата му работа дори в случай на спиране на тока.

Работа със захранване от мрежата

- 1** Поставете щепсела на уреда в устройството за бебето и включете адаптера в контакта (фиг. 2).

Светва индикаторът за включено ел. захранване.

Работа на обикновени батерии

Устройството за бебето работи с четири батерии R6 AA от 1,5 волта (не са приложени в комплекта). Настоятелно ви препоръчваме да използвате батерии Philips LR6 PowerLife. Не използвайте акумулаторни батерии, понеже устройството за бебето не може да ги зарежда.

Изключете устройството за бебето от контакта и внимавайте ръцете ви да са сухи при поставянето на обикновените батерии.

- 1** Отключете капачето на отделението за батерии чрез завъртане на ключалката с монета. Отворете капачето (фиг. 3).

- 2** Поставете четири обикновени батерии.

Убедете се, че полюсите "+" и "-" на батериите са правилно ориентирани.

3 Затворете капачето на отделението за батерии чрез завъртане на ключалката с монета. Когато батериите са изтощени, индикаторът за захранване на устройството за бебето мига в червено.

Родителско устройство

Можете да използвате родителското устройство със захранване от мрежата или с обикновени батерии. Дори да възнамерявате да използвате устройството от мрежата, съветваме ви да поставите обикновените батерии. Това ще осигури непрекъснатата му работа дори в случай на спиране на тока.

Работа със захранване от мрежата

1 Поставете щепсела на уреда в родителското устройство и включете адаптера в контакта.

Светва индикаторът за включено ел. захранване.

Работа на обикновени батерии

Родителското устройство работи с четири батерии R6 AA от 1,5 волта (не са приложени в комплекта). Настоятелно ви препоръчваме да използвате батерии Philips LR6 PowerLife. Не използвайте акумулаторни батерии, понеже родителското устройство не може да ги зарежда.

Изключете родителското устройство от контакта и внимавайте ръцете ви да са сухи при поставянето на обикновените батерии.

1 Завъртете ключалката на четвърт оборот (1) и плъзнете капачето на батериите надолу, за да го отворите (2) (фиг. 4).

2 Поставете четири обикновени батерии.

Убедете се, че полюсите "+" и "-" на батериите са правилно ориентирани.

3 Затворете капачето на отделението за батерии.

Забележка: Когато батериите са изтощени, индикаторът за захранване на родителското устройство мига в червено.

Забележка: Когато батериите са напълно изтощени, родителското устройство ще се изключи автоматично и ще загуби връзка с устройството за бебето.

Използване на уреда

1 Оставете и двете устройства в една стая, за да изпробвате връзката (фиг. 5).

Погрижете се устройството за бебето да е поне на 1 метър от родителското устройство.

2 Натиснете бутона вкл./изкл., за да включите устройството за бебето (фиг. 6).

Индикаторът за захранване светва в зелено.

3 Завъртете регулатора за силата на звука, за да включите родителското устройство и да настроите желаната сила на звука. (фиг. 7)

Индикаторът за захранване светва в зелено.

• Когато има установена връзка между двете устройства, светлинният индикатор за връзка на родителското устройство светва в постоянно зелено.

Забележка: Установяването на връзка ще отнеме около 30 секунди.

Забележка: Ако не може да се установи връзка, индикаторът за свързване на родителското устройство мига в червено.

- 4** Поставете устройството за бебето поне на 1 метър от родителското устройство (фиг. 8).
- 5** Поставете родителското устройство в рамките на радиуса на действие на устройството за бебето. Погрижете се то да е поне на 1 метър от устройството за бебето. За повече информация относно радиуса на действие вж. раздела “Радиус на действие” по-долу (фиг. 9).

Радиус на действие

Радиусът на действие на бебелефона на открито е 200 метра. В зависимост от околните предмети и други препятствия радиусът на действие вероятно ще е по-малък.

Сухи материали	Дебелина на материала	Загуба на радиус на действие
Дърво, фазер, шперплат, стъкло (без метал, армировка или олово)	< 30 см	0-10%
Тухли, гипс	< 30 см	5-35%
Железобетон	< 30 см	30-100%
Метални мрежи или решетки	< 1 см	90-100%
Метални или алуминиеви листове	< 1 см	100%

При влажни и мокри материали загубата на радиус на действие е до 100%.

Характеристики

Цифрово потвърждение на сигнала

На родителското устройство има индикатор за свързване, който ви уведомява постоянно за състоянието на връзката между устройството за бебето и родителското устройство. Можете да зададете предупредителен сигнал от родителското устройство, който да ви уведомява, ако връзката се загуби. Когато връзката се загуби, предупредителният сигнал ще прозвучи и индикаторът за свързване ще започне да мига в червено.

За да активирате предупредителния сигнал на родителското устройство:

- 1** Завъртете ключалката на четвърт оборот (1) и плъзнете капачето на батериите надолу, за да го отворите (2) (фиг. 4).
- 2** Поставете ключа за аларма за връзка в отделението за батерии в положение “включено”.
- 3** Затворете капачето на отделението за батерии.

За да изключите предупредителния сигнал, поставете ключа за предупреждение за връзката в положение “изключено”.

Регулируема чувствителност към звук

С регулатора за чувствителността на микрофона на устройството за бебето можете да изберете силата на долавяния звук: слаб, среден или силен. Когато чувствителността на микрофона е настроена на “висока”, устройството за бебето улавя всички звуци.

Забележка: Чувствителността на микрофона на устройството за бебето може да променяте се променя само когато има връзка между устройството за бебето и родителското устройство.

1 Изберете желаната чувствителност на микрофона на устройството за бебето с регулатора. Можете да използвате собствения си глас за сравнение (фиг. 10).

Индикаторът за захранване на устройството за бебето светва в жълто, когато се предава звук.

Забележка: При работа на батерии, ако чувствителността е настроена на високо ниво, родителското устройство консумира повече енергия.

Регулираем звук на високоговорителя

Можете да промените силата на звука на родителското устройство, така че да го регулирате според обстановката.

1 Завъртете диска за сила на звука на родителското устройство, докато бъде достигната желаната сила на звука за това устройство.

Забележка: При работа на батерии, ако силата на звука е настроена на високо ниво, родителското устройство консумира повече енергия.

Превключвател на канали

Трябва да сте сигурни, че превключвателите на каналите в отделенията за батерии на двете устройства са настроени на един и същи канал. С превключвателите на каналите можете да избирате измежду шестнадесет различни положения. Ако се появят смущения от други бебелефони, радиопредавателни устройства и др., изберете различен канал.

1 Отворете капачетата на отделенията за батерии на двете устройства.

► **Устройство за бебето: (фиг. 3)**

- Завъртете ключалката с монета и отворете капачето.
- Извадете батериите (ако са поставени) от отделението за батерии.
- Използвайте малка плоска отвертка, за да завъртите превключвателя на каналите до желаното положение.

► **Родителско устройство: (фиг. 4)**

- Завъртете ключалката на четвърт оборот (1) и плъзнете капачето на батериите надолу, за да го отворите (2).
- Извадете батериите (ако са поставени) от отделението за батерии.
- Използвайте малка плоска отвертка, за да завъртите превключвателя на каналите до желаното положение.

Забележка: Убедете се, че и двете устройства са настроени на един и същи канал.

Ако не доловите смущения при изпробването на връзката, затворете отделенията за батерии и на двете устройства.

Ако има смущения, преместете превключвателя на друг канал и отново изпробвайте връзката. Ако устройствата работят на обикновени батерии, сменете батериите и затворете отделенията на батериите.

Почистване и поддръжка

Не потапяйте родителското устройство и устройството за бебето във вода и не ги мийте под чешмата.

Не използвайте спрей за почистване и течни почистващи препарати.

- Изключете от контактите устройството за бебето или родителското устройство, ако са включени към мрежата.
- Почиствайте родителското устройство и устройството за бебето с мокра кърпа.

Преди да включите в контакта устройствата, проверете дали са сухи.

- Почиствайте адаптерите със суха кърпа.

Съхранение

Когато няма да използвате бебелефона за известно време, извадете обикновените батерии от устройството за бебето и от родителското устройство. Приберете устройството за бебето, родителското устройство и адаптерите на хладно и сухо място.

Замяна

Устройство за бебето

Батерии

Подменяйте обикновените батерии на устройството за бебето само с четири батерии тип R6 AA от 1,5V.

Забележка: Настоятелно ви препоръчваме да използвате обикновени батерии Philips.

Адаптер

Заменяйте адаптера на устройството за бебето само с оригинален адаптер. Можете да поръчате нов адаптер кана от вашия търговец или от сервизен център на Philips:

- SBC CS0920/00W (само за ЕС/Сингапур)
- SBC CS0920/05W (само за Великобритания)
- 9VD200 (само за AU/NZ)

Родителско устройство

Батерии

Подменяйте обикновените батерии на родителското устройство само с четири батерии тип R6 AA от 1,5 V.

Забележка: Настоятелно ви препоръчваме да използвате обикновени батерии Philips.

Адаптер

Заменяйте адаптера на родителското устройство само с оригинален адаптер. Можете да поръчате нов адаптер от вашия търговец или от сервизен център на Philips:

- SBC CS0920/00W (само за ЕС/Сингапур)
- SBC CS0920/05W (само за Великобритания)
- 9VD200 (само за AU/NZ)

Опазване на околната среда

- След края на срока на експлоатация на уреда не го изхвърляйте заедно с нормалните битови отпадъци, а го предайте в официален пункт за събиране, където да бъде рециклиран. По този начин вие помагате за опазването на околната среда (фиг. 11).
- Батериите съдържат вещества, които могат да замърсят околната среда. Не изхвърляйте батериите заедно с обикновените битови отпадъци, а ги предайте в специализиран пункт за събиране на батерии. Винаги изваждайте батерията, преди да изхвърлите уреда или да го предадете в официален пункт за отпадъци. (фиг. 12)

Гаранция и сервиз

Ако се нуждаете от сервизно обслужване или информация или имате проблем, посетете Интернет сайта на Philips AVENT на адрес www.philips.com/AVENT или се обърнете към Центъра за обслужване на потребители на Philips във вашата страна (телефонния му номер може да намерите в международната гаранционна карта). Ако във вашата страна няма Център за обслужване на потребители, обърнете се към местния търговец на уреди на Philips.

Често задавани въпроси

В този раздел са изброени най-често задаваните въпроси относно уреда. Ако тук не можете да намерите отговора на вашия въпрос, обръщайте се към Центъра за обслужване на клиенти на Philips във вашата страна.

Въпрос	Отговор
Защо не светва индикаторът за захранване?	Може би щепселът на уреда не е влязъл добре в гнездото на устройството или адаптерът не е включен или не е поставен правилно в контакта. Възможно е да сте забравили да включите устройствата. Натиснете бутон за вкл./изкл. на устройството за бебето и завъртете надолу регулатора за силата на звука на родителското устройство, за да включите устройствата. Ако използвате устройствата на батерии, може батериите да са изтощени. В такъв случай подменете батериите.
Защо индикаторът за захранване мига в червено?	Устройството работи на батерии и батериите са изтощени. Подменете батериите.
Защо родителското устройство издава писклив звук?	Устройствата са твърде близо едно до друго. Преместете родителското устройство поне на 1 метър от устройството за бебето. Ако това не помогне, значи силата на звука е прекомерно увеличена. Настройте на по-слаб звук.
Защо от родителското устройство не излиза звук?	Проверете дали силата на звука е достатъчно голяма. Ако е настроена на прекалено ниско ниво, завъртете регулатора за силата на звука до по-висока настройка. Проверете също чувствителността на микрофона на устройството за бебето.
Защо индикаторът за връзка мига в червено?	Мигащо червено означава, че няма връзка. Родителското устройство може да е извън радиуса на действие на устройството за бебето или да е настроено на различен канал. Проверете дали двете устройства са настроени на един и същи канал. Ако това е така, поставете родителското устройство на друго място, по-близо до устройството за бебето.
Защо родителското устройство издава кратки звуци?	Това, което чувате, е алармата за връзка. То указва, че в момента няма връзка между устройствата. Родителското устройство може да е извън радиуса на действие на устройството за бебето или да е настроено на различен канал от устройството за бебето. Проверете дали двете устройства са настроени на един и същи канал. Ако това е така, поставете родителското устройство на друго място, по-близо до устройството за бебето.
Защо родителското устройство реагира бавно на звука от бебето?	Настройте чувствителността на микрофона на устройството за бебето на по-висока степен и/или приближете устройството до бебето. Сълюдавайте устройството за бебето да е поне на 1 метър от бебето.
Защо родителското устройство реагира много бързо на други звуци?	Настройте чувствителността на микрофона на устройството за бебето на по-ниска степен и/или приближете устройството до бебето.

Въпрос	Отговор
Защо връзката от време на време се губи?	Родителското устройство вероятно е на границата на радиуса на действие. Поставете родителското устройство на място, където приема по-добре. Имайте предвид, че при преместване на някое от устройствата възстановяването на връзката ще отнеме около 30 секунди.
Защо има смущения в родителското устройство?	<p>Смущения могат да се получат, когато родителското устройство е извън радиуса на действие на устройството за бебето. Също така може родителското устройство да е много близо до прозорец, през който да приема смущаващи сигнали. Преместете родителското устройство по-далече от прозореца.</p> <p>Смущения се получават и ако между двете устройства има твърде много стени и плочи. Поставете родителското устройство на друго място, по-близо до устройството за бебето. Проверете дали устройствата са достатъчно далече от мобилни и безжични телефони, радиоприемници и телевизори.</p>
Защо родителското устройство приема сигнали от друг бебелефон?	Бебелефонът работи на един и същи канал с друг бебелефон наблизо. Настройте двете устройства на различен канал с превключвателя на каналите.
Защо бебелефонът не може да се справи с указания тук радиус на действие от 200 метра?	Указаният радиус на действие от 200 метра важи само на открито. В сгради радиусът на действие е ограничен от броя и вида на стените и преградите между двете устройства. Променете мястото на едното или и на двете устройства, за да подобрите обхвата.
Какво става при спиране на тока?	Ако използвате устройствата със захранване от ел. мрежа и не сте поставили в тях батерии, връзката ще се изгуби при отпадане на ел. захранването. Ако и в двата уреда има батерии, при прекъсване на ел. захранването те ще превключат на батерии и така връзката няма да се изгуби.

Úvod

Blahopřejeme vám k nákupu a vítáme vás ve společnosti Philips AVENT. Abyste mohli plně využít podpory, kterou společnost Philips AVENT poskytuje, zaregistrujte svůj výrobek na adrese www.philips.com/welcome.

Společnost Philips AVENT systematicky usiluje o výrobu spolehlivých výrobků péče o dítě, které dávají rodičům požadovanou jistotu. Díky této elektronické chůvě společnosti Philips AVENT můžete své dítě slyšet kdekoli v domě i v okolí domu. Možnost volit šestnácti různých kanálů zaručuje minimální rušení a bezpečný příjem, což vám umožňuje být v neustálém kontaktu s vaším dítětem.

Všeobecný popis (Obr. 1)

A Dětská jednotka

- 1 Mikrofon
- 2 Zásuvka pro malou zástrčku
- 3 Vypínač
- 4 Kontrolka zapnutí přístroje
- 5 Regulátor citlivosti mikrofonu
- 6 Volič kanálů
- 7 Adaptér
- 8 Malá zástrčka
- 9 Kryt přihrádky na baterie

B Rodičovská jednotka

- 1 Adaptér
- 2 Malá zástrčka
- 3 Kontrolka zapnutí přístroje
- 4 Reproduktor
- 5 Kontrolka spojení
- 6 Regulátor hlasitosti s funkcí zapnuto/vypnuto
- 7 Přepínač výstražné signalizace spojení
- 8 Kryt přihrádky na baterie
- 9 Volič kanálů

Důležité

Před použitím přístroje si pečlivě přečtete tento návod k použití a uschovejte ho pro případné pozdější nahlédnutí.

Nebezpečí

- Nikdy neponořujte elektronickou chůvu ani její součást do vody nebo jiné tekutiny.

Výstraha

- Před zapojením přístroje do sítě se přesvědčte, zda napětí uvedené na adaptérech dětské a rodičovské jednotky odpovídá napětí ve vaší elektrické síti.
- Používejte pouze síťové adaptéry dodané k rodičovské a dětské jednotce.
- Adaptéry obsahují transformátor. Neodřezávejte adaptéry kvůli výměně za jiné zástrčky, protože je to nebezpečné.
- Pokud jsou adaptéry poškozeny, vyměňte je za původní typ adaptéru, tím se vyhnete možnému bezpečnostnímu riziku. Správný typ adaptéru naleznete v kapitole 'Výměna'.
- Nepoužívejte elektronickou chůvu na vlhkých místech nebo blízko vody.
- Aby nedošlo k úrazu elektrickým proudem, neotvírejte plášť dětské jednotky ani rodičovské jednotky kromě přihrádky na baterie.
- Osoby (včetně dětí) s omezenými fyzickými, smyslovými nebo duševními schopnostmi nebo nedostatkem zkušeností a znalostí by neměly s přístrojem manipulovat, pokud nebyly o používání přístroje předem poučeny nebo nejsou pod dohledem osoby zodpovědné za jejich bezpečnost.

- Dohlédněte na to, aby si s přístrojem nehrály děti.
- Provozní dosah elektronické chůvy v exteriéru je až 200 metrů. Provozní dosah se může snížit podle okolí a dalších rušivých faktorů (viz část ‚Provozní dosah‘ v kapitole ‚Použití přístroje‘).

Upozornění

- Přístroj uchovávejte a používejte při teplotě mezi 10 °C a 40 °C.
- Nevstavujte dětskou a rodičovskou jednotku extrémní zimě, teplu nebo přímému slunečnímu světlu.
- Dětská jednotka a kabel musí být vždy mimo dosah dítěte (ve vzdálenosti nejméně 1 metr).
- Nikdy neumísťujte dětskou jednotku do dětské postýlky nebo zahrádky.
- Rodičovskou jednotku a dětskou jednotku nikdy nezakrývejte (například ručníkem nebo prostěradlem).
- V dětské i v rodičovské jednotce používejte vždy nedobíjecí baterie správného typu.

Obecné informace

- Tato elektronická chůva představuje pouze pomůcku. Nepředstavuje náhradu zodpovědného a řádného dohledu dospělou osobou a nelze ji tímto způsobem používat.

Elektromagnetická pole (EMP)

Tento přístroj společnosti Philips AVENT odpovídá všem normám týkajícím se elektromagnetických polí (EMP). Pokud je správně používán v souladu s pokyny uvedenými v této uživatelské příručce, je jeho použití podle dosud dostupných vědeckých poznatků bezpečné.

Příprava k použití

Dětská jednotka

Dětskou jednotku lze napájet ze sítě nebo bateriemi. I když používáte jednotku napájenou ze sítě, doporučujeme vložit do přístroje nedobíjecí baterie. Zajistíte tak automatickou zálohu v případě výpadku napájení ze sítě.

Napájení ze sítě

1 Zasuňte přístrojovou zástrčku do dětské jednotky a adaptér do zásuvky ve zdi (Obr. 2). Rozsvítí se kontrolka zapnutí přístroje.

Provoz s použitím nedobíjecích baterií

Dětská jednotka je napájena čtyřmi 1,5V bateriemi typu R6 AA (nejsou součástí dodávky). Velmi doporučujeme používat baterie Philips LR6 PowerLife. Nepoužívejte nabíjecí baterie, protože dětská jednotka nemá funkci nabíjení.

Odpojte dětskou jednotku od sítě. Vaše ruce a jednotka musí být při vkládání nedobíjecích baterií suché.

1 Uvolněte kryt přihrádky na baterie tak, že pomocí mince otočíte zajišťovací knoflík. Potom kryt sejměte (Obr. 3).

2 Vložte čtyři nedobíjecí baterie.
Zkontrolujte správné umístění pólů + a -.

3 Znovu nasadte kryt přihrádky na baterie a uzavřete jej tak, že pomocí mince otočíte zajišťovací knoflík.

Pokud jsou baterie vybité, kontrolka zapnutí přístroje POWER na dětské jednotce začne červeně blikat.

Rodičovská jednotka

Rodičovskou jednotku lze napájet ze sítě nebo bateriemi. I když používáte jednotku napájenou ze sítě, doporučujeme vložit do přístroje nedobíjecí baterie. Zajistíte tak automatickou zálohu v případě výpadku napájení ze sítě.

Napájení ze sítě

- 1 Zasuňte přístrojovou zástrčku do rodičovské jednotky a adaptér do zásuvky ve dli. Rozsvítí se kontrolka zapnutí přístroje.

Provoz s použitím nedobíjecích baterií

Rodičovská jednotka je napájena čtyřmi 1,5V bateriemi typu R6 AA (nejsou součástí dodávky). Velmi doporučujeme používat baterie Philips LR6 PowerLife.

Nepoužívejte nabíjecí baterie, protože rodičovská jednotka nemá funkci nabíjení.

Odpojte rodičovskou jednotku od sítě. Vaše ruce a jednotka musí být při vkládání nedobíjecích baterií suché.

- 1 Otočte zajišťovací knoflík o čtvrt otáčky (1) a sejměte kryt přihrádky pro baterie vysunutím směrem dolů (2) (Obr. 4).
- 2 Vložte čtyři nedobíjecí baterie.
Zkontrolujte správné umístění pólů + a -.
- 3 Nasadte zpět kryt přihrádky pro baterie.

Poznámka: Pokud jsou baterie vybité, kontrolka zapnutí přístroje POWER na dětské jednotce začne červeně blikat.

Poznámka: Jakmile jsou baterie zcela vybité, rodičovská jednotka se automaticky vypne a ztratí kontakt s dětskou jednotkou.

Použití přístroje

- 1 Umístěte obě jednotky do stejné místnosti a vyzkoušejte spojení (Obr. 5).
Zajistěte, aby dětská jednotka byla od rodičovské jednotky ve vzdálenosti minimálně jeden metr.
 - 2 Stisknutím vypínače zapněte dětskou jednotku (Obr. 6).
Kontrolka zapnutí přístroje svítí nepřetržitě zeleně.
 - 3 Otočením ovládní hlasitosti zapněte rodičovskou jednotku a nastavte požadovanou úroveň hlasitosti. (Obr. 7)
Kontrolka zapnutí přístroje svítí nepřetržitě zeleně.
- ▶ Jakmile je vytvořeno spojení mezi oběma jednotkami, svítí kontrolka spojení na rodičovské jednotce nepřetržitě zeleně.

Poznámka: Vytvoření spojení trvá přibližně 30 sekund.

Poznámka: Pokud se nevytvoří spojení, začne kontrolka spojení na rodičovské jednotce červeně blikat.

- 4 Dětskou jednotku umístěte ve vzdálenosti minimálně 1 metr od dítěte (Obr. 8).
- 5 Umístěte rodičovskou jednotku tak, aby byla v provozním dosahu dětské jednotky. Zajistěte, aby byla alespoň ve vzdálenosti 1 metr od dětské jednotky. Další informace o provozním dosahu naleznete dále v části 'Provozní dosah' (Obr. 9).

Provozní dosah

Provozní dosah elektronické chůvy v exteriéru je 200 metrů. Tento dosah se může snížit podle okolí a dalších rušivých faktorů.

Suché materiály	Tloušťka materiálu	Ztráta dosahu
Dřevo, sádra, sádrokarton, sklo (bez kovu, drátů a olova)	< 30 cm	0 – 10 %

Suché materiály	Tloušťka materiálu	Ztráta dosahu
Cihly, překližka	< 30 cm	5 – 35 %
Vyztužený beton	< 30 cm	30 – 100 %
Kovové mřížky nebo zábradlí	< 1 cm	90 - 100 %
Kovová nebo hliníková fólie	< 1 cm	100 %

U mokřých a vlhkých materiálů může dojít až ke 100% ztrátě dosahu.

Funkce

Potvrzení digitálního signálu

Rodičovská jednotka je vybavena kontrolkou LINK, která vás neustále upozorňuje na stav spojení mezi dětskou a rodičovskou jednotkou. Na rodičovské jednotce lze nastavit výstrahu, která vás upozorní, když se spojení přeruší. Pokud dojde ke ztrátě spojení, upozorní vás výstraha zvukovým signálem (pípnutím) a kontrolka Link začne blikat červeně.

Aktivace výstrahy na rodičovské jednotce:

- 1 Otočte zajišťovací knoflík o čtvrt otáčky (1) a sejměte kryt přihrádky pro baterie vysunutím směrem dolů (2) (Obr. 4).
- 2 Nastavte přepínač výstražné signalizace spojení v přihrádce pro baterie do polohy ‚zapnuto‘.
- 3 Nasadte zpět kryt přihrádky pro baterie.

Výstrahu vypnete, nastavíte-li přepínač výstražné signalizace spojení do polohy ‚vypnuto‘.

Nastavitelná citlivost zvuku

Regulátor citlivosti mikrofonu na dětské jednotce umožňuje nastavení zvuku, který dětská jednotka zachytí, na požadovanou úroveň: nízkou, střední nebo vysokou. Při nastavení citlivosti mikrofonu na ‚vysokou‘ úroveň zachytí dětská jednotka všechny zvuky.

Poznámka: Citlivost mikrofonu můžete změnit pouze v případě, že je vytvořeno spojení mezi dětskou a rodičovskou jednotkou.

- 1 Regulátor citlivosti mikrofonu použijte k nastavení citlivosti mikrofonu dětské jednotky na požadovanou úroveň. Lze to vyzkoušet podle svého hlasu (Obr. 10).

Když je přenášen zvuk, kontrolka zapnutí přístroje na dětské jednotce začne svítit žlutě.

Poznámka: Pokud je při napájení bateriemi citlivost nastavena na vysokou úroveň, spotřebovává rodičovská jednotka více energie.

Nastavitelná hlasitost reproduktoru

Hlasitost rodičovské jednotky je možné měnit, a tak ji můžete přizpůsobit okolí.

- 1 Otáčejte ovladačem hlasitosti na pravé straně rodičovské jednotky, dokud nedosáhnete požadované hlasitosti reproduktoru.

Poznámka: Pokud je při provozu na baterie hlasitost nastavena na vysokou úroveň, spotřebovává rodičovská jednotka více energie.

Volič kanálů

Vždy se ujistěte, že jsou voliče kanálů uvnitř přihrádek pro baterie u obou jednotek nastavené na stejný kanál. Pomocí těchto voličů kanálů je možné zvolit šestnáct různých kanálů. Pokud se potýkáte s rušením způsobeným jinými elektronickými chůvami, rádiovými přijímači apod., zvolte jiný kanál.

1 Otevřete kryty přihrádek na baterie u obou jednotek.

▶ Dětská jednotka: (Obr. 3)

- Otočte zajišťovací knoflík pomocí mince a sejměte kryt.
- Pokud se v přihrádce nacházejí baterie, vyjměte je.
- Otočením nastavte volič kanálů do požadované polohy.

▶ Rodičovská jednotka: (Obr. 4)

- Otočte zajišťovací knoflík o čtvrt otáčky (1) a sejměte kryt přihrádky pro baterie vysunutím směrem dolů (2).
- Pokud se v přihrádce nacházejí baterie, vyjměte je.
- Otočením nastavte volič kanálů do požadované polohy.

Poznámka: Ujistěte se, že obě jednotky jsou nastaveny na stejný kanál.

Pokud se při zkoušce spojení neobjeví žádné rušení, zavřete přihrádky pro baterie dětské i rodičovské jednotky.

Pokud se rušení objeví, nastavte volič na jiný kanál a zkuste spojení znovu.

Napájte-li jednotky nedobíjecími bateriemi, vyměňte baterie a zavřete přihrádky na baterie.

Čištění a údržba

Rodičovskou jednotku nebo dětskou jednotku neponořujte do vody ani je nečistěte pod tekoucí vodou.

Nepoužívejte čisticí sprej ani tekuté čisticí prostředky.

- Je-li rodičovská nebo dětská jednotka připojena k síti, odpojte ji od sítě.
- Rodičovskou jednotku a dětskou jednotku čistěte vlhkým hadříkem.

Před připojením k síti se ujistěte, že jsou jednotky suché.

- Adaptéry čistěte suchým hadříkem.

Skladování

Pokud nebudete elektronickou chůvu po nějaký čas používat, vyjměte nedobíjecí baterie z dětské a z rodičovské jednotky. Uložte dětskou jednotku, rodičovskou jednotku a adaptéry na chladném a suchém místě.

Výměna

Dětská jednotka

Akumulátory

Nedobíjecí baterie v dětské jednotce vyměňujte pouze za čtyři baterie 1,5 V R6 AA.

Poznámka: Velmi doporučujeme používat nedobíjecí baterie Philips.

Adaptér

Adaptér dětské jednotky vyměňte pouze za adaptér původního typu. Nový adaptér můžete objednat od prodejce nebo servisního střediska společnosti Philips:

- SBC CS0920/00W (pouze pro EU a Singapur)
- SBC CS0920/05W (pouze pro Velkou Británii)
- 9VD200 (pouze model AU/NZ)

Rodičovská jednotka

Akumulátory

Nedobíjecí baterie v rodičovské jednotce vyměňujte pouze za čtyři baterie 1,5 V R6 AA.

Poznámka: Velmi doporučujeme používat nedobíjecí baterie Philips.

Adaptér

Adaptér rodičovské jednotky vyměňte pouze za adaptér původního typu. Nový adaptér můžete objednat od prodejce nebo servisního střediska společnosti Philips:

- SBC CS0920/00W (pouze pro EU a Singapur)
- SBC CS0920/05W (pouze pro Velkou Británii)
- 9VD200 (pouze model AU/NZ)

Životní prostředí

- ▶ Až přístroj doslouží, nevyhazujte jej do běžného komunálního odpadu, ale odevzdejte jej do sběrný určené pro recyklaci. Pomůžete tím chránit životní prostředí (Obr. 11).
- ▶ Baterie obsahují látky, které mohou být škodlivé pro životní prostředí. Nelikvidujte prázdné baterie spolu s běžným komunálním odpadem, ale odevzdejte je na oficiálním sběrném místě. Před likvidací přístroje nebo odevzdáním na oficiálním sběrném místě baterie vždy vyjměte. (Obr. 12)

Záruka a servis

Pokud budete potřebovat servis, informace nebo pokud dojde k potížím, navštivte webovou stránku společnosti Philips AVENT na adrese www.philips.com/AVENT nebo se obraťte na středisko péče o zákazníky společnosti Philips ve své zemi (telefonní číslo na střediska najdete v letáčku s celosvětovou zárukou). Pokud se ve vaší zemi středisko péče o zákazníky nenachází, můžete kontaktovat místního dodavatele výrobků Philips.

Nejčastější dotazy

Tato kapitola uvádí seznam nejčastějších dotazů týkajících se přístroje. Pokud se vám nepodaří najít odpověď na svoji otázku, obraťte se na Středisko péče o zákazníky ve své zemi.

Otázka	Odpověď
Proč kontrolka zapnutí přístroje nesvítí?	Je možné, že přístrojová zástrčka není řádně zasunuta do zásuvky na jednotce nebo adaptér není řádně zapojen do zásuvky ve zdi.
	Také je možné, že jste zapoměli jednotky zapnout. Jednotky zapněte stisknutím vypínače na dětské jednotce a otočením ovládní hlasitosti na rodičovské jednotce dolů.
	Pokud jednotky napájíte bateriemi, je možné, že jsou téměř vybité. V takovém případě vyměňte baterie.
Proč kontrolka zapnutí přístroje bliká červeně?	Napájíte jednotku bateriemi a ty jsou téměř vybité. Vyměňte baterie.
Proč rodičovská jednotka vydává vysoké zvuky?	Jednotky jsou příliš blízko u sebe. Dejte rodičovskou jednotku do vzdálenosti alespoň 1 metr od dětské jednotky. Pokud to nepomůže, je nastavení hlasitosti příliš vysoké. Snižte hlasitost otočením regulátoru hlasitosti.
Proč z rodičovské jednotky nevychází žádný zvuk?	Zkontrolujte, zda je dostatečně nastavena hlasitost. Pokud je hlasitost příliš nízká, zvýšte ji otočením regulátoru hlasitosti. Rovněž zkontrolujte citlivost mikrofonu na dětské jednotce.

Otázka	Odpověď
Proč kontrolka LINK červeně bliká?	Kontrolka bliká červeně, protože není spojení. Rodičovská jednotka je možná mimo dosah dětské jednotky nebo je nastavena na jiný kanál než dětská jednotka. Zkontrolujte, zda je rodičovská jednotka i dětská jednotka nastavena na stejný kanál. Pokud ano, dejte rodičovskou jednotku blíže k dětské jednotce.
Proč rodičovská jednotka pípá?	Zvuk, který slyšíte, je výstražná signalizace spojení na znamení, že není spojení mezi dětskou a rodičovskou jednotkou. Rodičovská jednotka je možná mimo dosah dětské jednotky nebo je nastavena na jiný kanál než dětská jednotka. Zkontrolujte, zda jsou rodičovská i dětská jednotka nastaveny na stejný kanál. Pokud ano, dejte rodičovskou jednotku blíže k dětské jednotce.
Proč rodičovská jednotka reaguje příliš pomalu na zvuky dítěte?	Nastavte citlivost mikrofonu na dětské jednotce na vyšší úroveň nebo přesuňte dětskou jednotku blíž k dítěti. Zajistěte, aby dětská jednotka byla od dítěte ve vzdálenosti nejméně 1 metr.
Proč rodičovská jednotka reaguje příliš rychle na ostatní zvuky?	Nastavte citlivost mikrofonu na dětské jednotce na nižší úroveň nebo dejte dětskou jednotku blíže k dítěti.
Proč čas od času dochází k přerušení spojení?	Rodičovská jednotka je pravděpodobně blízko hranice provozního rozsahu. Dejte rodičovskou jednotku blíže k dětské jednotce na místo, kde je lepší příjem. Pamatujte, že když přemístíte jednu nebo obě jednotky, trvá asi 30 sekund, než se spojení znovu vytvoří.
Proč se na rodičovské jednotce objevuje rušení?	Na rodičovské jednotce se může objevit rušení, když je jednotka mimo dosah dětské jednotky. Rodičovská jednotka může být rovněž příliš blízko okna, kde chytá rušivé signály přes okno. Přesuňte ji dále od okna. Rušení se může rovněž objevit v případech, že mezi oběma jednotkami je příliš mnoho zdí nebo stropů. Pokud ano, dejte rodičovskou jednotku blíže k dětské jednotce. Rovněž zajistěte, aby jednotky byly mimo dosah mobilních a bezdrátových telefonů, rádií a televizorů.
Proč se na rodičovské jednotce objevují signály z jiných elektronických chův?	Elektronická chůva používá stejný kanál jako jiná elektronická chůva v okolí. Nastavte obě jednotky na jiný kanál pomocí voliče kanálů.
Proč dětská chůva nefunguje v uvedeném dosahu 200 metrů?	Uváděný dosah 200 metrů platí pouze v exteriéru. V interiéru je dosah omezen počtem a typem zdí a stropů mezi oběma jednotkami. Chcete-li dosah optimalizovat, zkuste změnit polohu jedné nebo obou jednotek.
Co se stane při výpadku napájení?	Používáte-li napájení ze sítě a nemáte v jednotkách baterie, při výpadku napájení dojde ke ztrátě spojení. Jsou-li v obou jednotkách baterie, v případě výpadku napájení jednotky automaticky přepnou na napájení bateriemi a spojení se nepřeruší.

Sissejuhatus

Õnnitleme ostu puhul ja tervitame Philips AVENTi poolt! Selleks, et Philips AVENTi eeliseid täielikult ära kasutada, registreerige oma toode veebilehel www.philips.com/welcome.

Vanematele vajaliku kindlustunde tagamiseks on Philipsi AVENT pühendunud hoolivate ja töökindlate toodete valmistamisele. Selle Philipsi AVENTi lapsevahiga kuulete te last ükskõik kus te oma majas või selle ümbruses ka ei viibiks. Varustatus kuueteistkümne iseseisva kanaliga tagab minimaalse raadiohäirete taseme ja turvalise vastuvõtu, võimaldades olla oma lapsega pidevas kontaktis.

Üldkirjeldus (Jn 1)

A Lapseseade

- 1 Mikrofon
- 2 Väikese pistiku pesa
- 3 On/off (Sisse/välja) nupp
- 4 „Toide sees” märgutuli
- 5 Mikrofoni tundlikkuse regulaator
- 6 Kanaliselektor
- 7 Adapter
- 8 Väike pistik
- 9 Patareipesa kaas

B Vanemaseade

- 1 Adapter
- 2 Väike pistik
- 3 „Toide sees” märgutuli
- 4 Kõlar
- 5 Ühenduse märgutuli
- 6 Helitugevuse regulaator sisse-välja lülitiga
- 7 Ühenduse alarmsignaali lüliti
- 8 Patareipesa kaas
- 9 Kanaliselektor

Tähelepanu

Enne seadme kasutamist lugege kasutusjuhend hoolikalt läbi ja hoidke edaspidiseks alles.

Oht

- Ärge kastke lapsevahti ei vette ega mõne muu vedeliku sisse.

Hoiatus:

- Enne seadme ühendamist kontrollige, kas lapse- ja vanemaseade adapterite pinge vastab kohaliku elektrivõrgu pingele.
- Kasutage lapse- ja vanemaseadme elektrivõrku ühendamiseks ainult seadmega kaasasolevaid adaptoreid.
- Adapterites on transformaaator. Ärge lõigake toitejuhtme pistiku vahetamiseks adaptoreid küljest ära, sest see võib tekitada ohtliku olukorra.
- Kui adapterid on kahjustatud, siis ohtlike olukordade vältimiseks vahetage see alati originaaladapteri vastu. Õige tüübi leidmiseks vt ptk „Asendamine”.
- Kunagi ärge kasutage lapsevahti märgades kohtades või vee ääres.
- Elektrilöögiohu vältimiseks ärge avage lapsevahi lapse- ja vanemaseadme korpust (va patareipesa).
- Seda seadet ei tohi kasutada füüsiliste ja vaimsete puuetega isikud (lisaks lapsed) nii kogemuste kui ka teadmiste puudumise tõttu, välja arvatud nende ohutuse eest vastutava isiku juuresolekul või kui neile on seadme kasutamise kohta antud vastavad juhiseid.
- Lapsi tuleks jälgida, et nad ei mängiks seadmega.

- Lapsevahi tegevusraadius on lahtisel maastikul kuni 200 m. Sõltuvalt ümbruskonnast ja teistest takistavatest teguritest võib tegevusraadius veelgi väiksem olla (vt ptk „Seadme kasutamine“ jaotist „Tegevusraadius“).

Ettevaatust

- Kasutage ja hoidke seadet temperatuuril 10 °C kuni 40 °C.
- Ärge jätke lapse- ja vanemaseadet väga kuuma ega külma kohta või otsese päikesepaiste kätte.
- Veenduge selles, et lapse- ja vanemaseadme juhe oleksid väljaspool imiku käeulatust (vähemalt ühe meetri kaugusel).
- Kunagi ärge pange lapseseadet beebi voodisse või mänguaua.
- Ärge lapse- ega vanemaseadet millegagi katke (nt käteräti või tekiga).
- Pange lapse- ja vanemaseadmesse alati õiget tüüpi mittelaetavad patareid.

Üldist teavet

- Lapsevahti võite kasutada kui abivahendit. Seade ei asenda vastutusvõimelise ja korralikku täiskasvanu järeelvalvet ja selliselt seda kasutada ei tohi.

Elektromagnetväljad (EMV)

See Philips AVENTI seade vastab kõikidele elektromagnetilisi välju (EMF) käsitlevatele standarditele. Kui seadet käsitletakse õigesti ja vastavalt käesolevale kasutusjuhendile, on seda kaasaegsete teaduslike teooriate järgi ohutu kasutada.

Ettevalmistused kasutamiseks

Lapseseade

Lapseseadet võite kasutada nii tavaliste patareidega kui ka võrgutoitel. Isegi siis, kui te kavatse seadet võrgutoitel kasutada, soovime patareid sisse panna. See kindlustab automaatse toitevarunduse juhuks kui võrgutoide kaob.

Võrgutoitel kasutamine

- 1** Sisestage seadme pistik lapseseadmesse ja adapter seinakontakti (Jn 2).
Toite märgutuli süttib põlema.

Tavapatareitoitel kasutamine

Lapseseade töötab nelja 1,5-voldise R6-tüüpi AA-suurusel patareiga (ei kuulu komplekti). Soovime tungivalt kasutada Philipsi LR6-tüüpi PowerLife-patareid.
Ärge kasutage akupatareid, sest lapseseadmel puudub laadimisfunktsioon.

Tõmmake lapseseadme pistik seinakontaktist välja ja veenduge, et nii käed kui ka seade oleks mittelaetavate patareide sisestamise ajal kuivad.

- 1** Tehke patareipesa kaas lukustusnuppu mündi abil keerates lahti. Seejärel eemaldage kaas (Jn 3).
- 2** Sisestage neli mittelaetavat patareid.
Veenduge selles, et patareide + ja - poolused oleksid õigesti suunatud.
- 3** Sulgege patareipesa kaas lukustusnuppu mündi abil keerates.
Kui patareid hakkavad tühjaks saama, siis hakkab lapseseadme toite märgutuli punaselt vilkuma.

Vanemaseade

Vanemaseadet võite kasutada nii võrgutoitel kui ka tavaliste patareidega. Isegi siis, kui te kavatse seadet võrgutoitel kasutada, soovime mittelaetavad patareid sisse panna. See kindlustab automaatse toitevarunduse võrgutoite kadumisel.

Võrgutoitel kasutamine

- 1** Sisestage seadme pistik vanemaseadmesse ja adapter seinakontakti.

Toite märgutuli süttib põlema.

Tavapatareitoitel kasutamine

Vanemaseade töötab nelja 1,5-voldise R6-tüüpi AA-suurusel patareiga (ei kuulu komplekti).

Soovitame tungivalt kasutada Philipsi LR6-tüüpi PowerLife-patareid.

Ärge kasutage akupatareid, sest vanemaseadmel puudub laadimisfunktsioon.

tõmmake vanemaseadme pistik seinakontaktist välja ja veenduge, et nii käed kui ka seade oleks mittelaetavate patareide sisestamise ajal kuivad.

1 Keerake lukustusnuppu veerand pööret (1) ja eemaldage patareipesa kaas allapoole lükates (2) (Jn 4).

2 Sisestage neli mittelaetavat patareid.

Veenduge selles, et patareide + ja - poolused oleksid õigesti suunatud.

3 Asendage patareipesa kaas.

Märkus: patareide tühjenemisel hakkab vanemaseadme toite märgutuli punaselt vilkuma.

Märkus: kui patareid on täiesti tühjad, lülitatakse vanemaseade automaatselt välja ja ühendus lapseseadmega katkeb.

Seadme kasutamine

1 Paigutage mõlemad seadmed ühenduse testimiseks ühte tuppa (Jn 5).

Veenduge selles, et lapseseade oleks vanemaseadme vahemalt ühe meetri kaugusel.

2 Vajutage lapseseadme sisselülitamiseks sisse-välja lüliti nupule (Jn 6).

„Toide sees” märgutuli hakkab pidevalt roheliselt põlema.

3 Keerake helitugevuse regulaatori nupust vanemaseade sisse ja reguleerige helitugevus eelistatud tasemele. (Jn 7)

„Toide sees” märgutuli hakkab pidevalt roheliselt põlema.

• Kui seadmete vaheline ühendus on loodud, siis hakkab ühenduse märgutuli vanemaseadmel pidevalt roheliselt põlema.

Märkus: Ühenduse loomiseks kulub umbes umbes 30 s.

Märkus: kui ühendust luua ei saa, hakkab vanemaseadme ühenduse märgutuli punaselt vilkuma.

4 Paigutage lapseseade lapsest vähemalt ühe meetri/kolme jala kaugusele (Jn 8).

5 Paigutage vanemaseade lapseseadme tegevuspiirkonda. Veenduge, et see oleks vähemalt ühe meetri kaugusel lapseseadme tegevuspiirkonna kohta täiendava info saamiseks lugege allpoolt ptk „Tegevusraadius” (Jn 9).

Tegevusraadius

Lapsevahelise tegevusraadius lahtisel maastikul on kuni 200 meetrit. Sõltuvalt ümbruskonnast ja teistest takistavatest teguritest võib tegevusraadius veelgi väiksem olla.

Kuivad materjalid	Materjalide paksus	Tegevusraadiuse vähenemine
Puit, kipsplaat, kartong, klaas (ilma metallita, traatideta või raamideta).	<30 cm	0 – 10%
Telliskivi, vineer	<30 cm	5 – 35%
Armatuuriga betoon	<30 cm	30 – 100%

Kuivad materjalid	Materjalide paksus	Tegevusraadiuse vähenemine
Metallvõred või trellid	< 1 cm	90 – 100%
Metall- või alumiiniumplaadid	< 1 cm	100%

Märja või niiske materjali korral võib tegevusraadius kuni 100% väheneda.

Omadused

Kinnitus digisignaaliga

Vanemaseadmel on ühenduse märgutuli, mis pidevalt annab teavet vanema- ja lapseseadme vahelise ühenduse olekust. Ühenduse katkemisest teavitamiseks saate vanemaseadmel seadistada alarmisignaali. Ühenduse katkemisel kuulete alarmisignaali (helisignaali) ja märgutuli hakkab punaselt vilkuma.

Vanemaseadme alarmisignaali aktiveerimine

- 1 Keerake lukustusnuppu veerand pööret (1) ja eemaldage patareipesa kaas allapoole lükates (2) (Jn 4).
 - 2 Lükake patareipesas olev ühenduse alarmisignaali lüliti asendisse „on” (sees).
 - 3 Asendage patareipesa kaas.
- Ühenduse alarmisignaali väljalülitamiseks lükake ühenduse alarmisignaali lüliti asendisse „off” (väljas).

Reguleeritav helitundlikkus

Reguleerides lapseseadme mikrofone tundlikkust, saate seadistada lapseseadme soovitud tundlikkuse tasemele: madalale, keskmisele või kõrgele. Kui mikrofone tundlikkus on seadistatud kõrgeks, siis lapseseade võtab kõiki häält vastu.

Märkus: lapseseadme mikrofone tundlikkust võite seadistada alles pärast seda, kui lapse- ja vanemaseadme vahel on ühendus loodud.

- 1 Kasutage mikrofone tundlikkuse regulaatorit lapseseadme tundlikkuse seadistamiseks soovitud tasemele. Hääle näidiseks saate kasutada enda häält (Jn 10).
- Pärast heli vastuvõtmist muutub lapseseadme „Toide sees” märgutuli kollaseks.

Märkus: kui patareidel töötamise ajal on helitugevus seadistatud liiga tugevaks, tarbib vanemaseade rohkem energiat.

Reguleeritava helitugevusega kõlar

Ümbruskonnaga sobitamiseks saate vanemaseadme helitugevust muuta.

- 1 Keerake vanemaseadme paremal pool asuvat helitugevuse ketast, kuni on saavutatud vanemaseadme kõlari soovitud helitugevus.

Märkus: kui patareidel töötamise ajal on helitugevus seadistatud liiga tugevaks, tarbib vanemaseade rohkem energiat.

Kanaliselektor

Alati veenduge, et kummagi seadme patareipesades asuvad kanaliselektorid oleksid seadistatud ühele ja samale kanalile. Neid kanaliselektoreid võite seada kuuteistkümmele erinevale kanalile. Kui teised lapsevahid, raadioseadmed jne põhjustavad raadiohäireid, valige mõni teine kanal.

- 1 Avage kummagi seadme patareipesade kaaned.
- ▶ Lapseseade (Jn 3)

- Lapseseade: keerake lukustusseadet mündiga ja eemaldage kaas.
- Kui patareid olid sisse pandud, siis võtke patareipesadest patareid välja.
- Kanaliselektori keeramiseks soovitud asendisse kasutage väikest, lamedat kruvikeerajat.

► Vanemaseade (Jn 4)

- Keerake lukustusnuppu veerand pööret (1) ja eemaldage patareipesa kaas allapoole lükates (2).
- Kui patareid olid sisse pandud, siis võtke patareipesadest patareid välja.
- Kanaliselektori keeramiseks soovitud asendisse kasutage väikest, lamedat kruvikeerajat.

Märkus: veenduge, et mõlemad seadmed on ühele ja samale kanalile seadistatud.

Kui ühenduse testimisel raadiohäireid ei teki, sulgege lapse- ja vanemaseadme patareipesad.

Kui tekivad raadiohäired, siis seadistage selektor mõnele teisele kanalile ja testige ühendus uuesti.

Kui seadmed töötavad mitteleaetavatel patareidel, asendage patareid ja sulgege patareipesad.

Puhastamine ja hooldus

ärge kastke vanema- või lapseseadet vette ega puhastage neid kraani all.

ärge kasutage puhastavat pihustusainet või vedelaid puhastusvahendeid.

- Kui seadmed on võrku ühendatud, tõmmake nii lapse- kui ka vanemaseadme adapterid seinakontaktist välja.
- Puhastage lapse- ja vanemaseadet niiske lapiga.

Veenduge, et seadmed oleks elektrivõrku lülitamise ajal kuivad.

- Puhastage adaptereid kuiva lapiga.

Hoiustamine

Kui teil pole kavas lapsevahti mõnda aega kasutada, võtke tavapatareid lapse- ja vanemaseadmest välja. Hoiustage lapse- ja vanemaseade ning adapterid jahedas ning kuivas kohas.

Asendamine

Lapseseade

Patareid

Asendage lapseseadme tavapatareid nelja R6 1,5 V AA-tüüpi tavapatareiga.

Märkus: Soovitame teil tungivalt kasutada Philipsi tavapatareisid.

Adapter

Asendage lapseseadme adapter ainult originaaladapteriga. Adapteri saate tellida kohaliku müügiesindaja käest või Philipsi hoolduskeskusest:

- SBC CS0920/00W (ainult EÜ/SGP)
- SBC CS0920/05W (ainult UK)
- 9VD200 (ainult AU/NZ)

Vanemaseade

Patareid

Asendage vanemaseadme tavapatareid ainult nelja R6 1,5 V AA-tüüpi tavapatareiga.

Märkus: Soovitame teil tungivalt kasutada Philipsi tavapatareisid.

Adapter

Asendage vanemaseadme adapter ainult originaaladapteriga. Adapteri saate tellida kohaliku müügiesindaja käest või Philipsi hoolduskeskusest:

- SBC CS0920/00W (ainult EÜ/SGP)
- SBC CS0920/05W (ainult UK)
- 9VD200 (ainult AU/NZ)

Keskkond

- Tööea lõppedes ei tohi seadet tavalise olmeprügi hulka visata, vaid tuleb ümbertöötlemiseks ametlikku kogumispunkti viia. Selliselt toimides aitate säästa keskkonda (Jn 11).
- Patareid sisaldavad keskkonda saastavaid aineid. Ärge visake patareid tavalise majapidamisprügi hulka. Viige need ametlikku patareide kogumiskohta. Alati võtke enne seadme utiliseerimist patareid välja ja käideldge need ametlikus kogumiskohas. (Jn 12)

Garantii ja hooldus

Kui vajate teenust või teavet, aga ka probleemide korral külastage Philipsi AVENTi veebilehte **www.philips.com/AVENT** või võtke ühendust oma riigi Philipsi klienditeeninduskeskusega (telefoninumbri leiate garantiivoldikust). Kui teie riigis ei ole klienditeeninduskeskust, pöörduge Philipsi toodete kohaliku müügiesindaja poole.

Korduma kippuvad küsimused

Selles peatükis loetletakse korduma kippuvaid küsimusi seadme kohta. Kui te ei leia oma küsimusele vastust, palun võtke ühendust oma riigis asuva klienditeeninduskeskusega.

Küsimus	Vastus
Miks „Toide sees” märgutuli ei põle?	Võib-olla pole seadme pistik korralikult seadme pesaga ühendatud või pole adapter seinakontakti korralikult sisestatud.
	Võib-olla olete unustanud seadmed sisse lülitada. Vajutage lapseseadme sisse-välja lülitile ja keerake seadmete sisselülitamiseks vanemaseadme helitugevuse regulaator allapoole.
	Kui seadmed töötavad patareidel, siis on patareid võib-olla tühjaks saanud. Sellisel juhul asendage patareid uutega.
Miks „Toide sees” märgutuli vilgub punaselt?	Teie seadmed töötavad patareitoitel ja patareid on tühjaks saanud. Asendage patareid uutega.
Miks teeb vanemaseade kiledat müra?	Seadmed on teineteisele liiga lähedal. Liigutage vanemaseade lapseseadmest vähemalt ühe meetri kaugusele. Kui see ei aita, siis on ilmselt helitugevuse tase liiga kõrge. Keerake helitugevuse regulaator madalamale tasemele.
Miks vanemaseade ei tee häält?	Kontrollige, ega helitugevus ei ole liiga madalale reguleeritud. Kui helitugevus on liiga madal, siis keerake helitugevuse regulaator kõrgemale tasemele. Samuti kontrollige lapseseadme mikrofoni tundlikkuse taset.
Miks vilgub ühenduse märgutuli punaselt?	See vilgub punaselt, sest ühendus on katkenud. Vanemaseade on võib-olla väljaspool lapseseadme tegevuspiirkonda või on seadistatud lapseseadmest erinevale kanalile. Kontrollige, kas vanemaseade ja lapseseade on mõlemad ühele ja samale kanalile seadistatud. Kui on, siis pange vanemaseade teise kohta, lapseseadmele lähemale.

Küsimus	Vastus
Miks teeb vanemaseade katkendlikku heli?	See mis te kuulete on ühenduse alarmisignaali. See tähendab seda, et ühendus on katkenud. Vanemaseade on võib-olla väljaspool lapseseadme tegevuspiirkonda või on seadistatud lapseseadmest erinevale kanalile. Kontrollige, kas vanemaseade ja lapseseade on mõlemad ühele ja samale kanalile seadistatud. Kui on, siis pange vanemaseade teise kohta, lapseseadmele lähemale.
Miks vanemaseade reageerib lapse häälitsustele liiga aeglaselt?	Seadistage lapseseadme mikrofoni tundlikkuse tase kõrgemaks ja/või viige lapseseade beebile lähemale. Veenduge, et lapseseade oleks beebist vähemalt ühe meetri kaugusel.
Miks vanemaseade reageerib beebi häälitsustele liiga kiiresti?	Seadistage lapseseadme mikrofoni tundlikkuse tase madalamaks ja/või viige lapseseade beebist kaugemale.
Miks aeg-ajalt ühendus katkeb?	Vanemaseade töötab võib-olla tegevuspiirkonna äärealal. Liigutage vanemaseade lapseseadmele lähemale, parema vastuvõtuga kohta. Palun pidage silmas, et kui te liigutate seadmeid teineteise suhtes, siis ühenduse taastamine kestab vähemalt 30 sekundit.
Miks vanemaseadmel tekivad raadiohäired?	Raadiohäired võivad tekkida, kui vanemaseade on väljaspool lapseseadme tegevuspiirkonda. Vanemaseade võib olla ka aknale liiga lähedal ja häireid akna kaudu vastu võtta. Liigutage vanemaseade aknast kaugemale. Raadiohäired tekivad ka siis, kui vanemaseadme ja lapseseadme vahele jääb liiga palju seinu või lagesid. Pange vanemaseade teise kohta, lapseseadmele lähemale. Samuti veenduge, et seade jääks mobiiltelefonidest või juhtmeta telefonidest, raadiotest või televiisoritest kaugemale.
Miks võtab vanemaseade vastu teise lapseseadme signaale?	Lapsevaht toimib samal kanalil naabruses asuva teise lapsevahiga. Seadistage kanaliselektoriga mõlemate seadmete kanalid mingile muule kanalile.
Miks lapsevaht ei tööta määratud 200 m tegevusraadiusega?	Määratud 200 m tegevuspiirkond kehtib ainult avatud maastikul. Maja sees piiravad tegevusraadiust kahe seadme vaheliste seinte ja/või lagede hulk. Tegevusraadiuse optimeerimiseks muutke ühe või mõlema seadme asukohta.
Mis juhtub kui tekib elektrivõrgu rike?	Kui kasutate seadet ilma et oleksite patareid sisestanud, siis elektrivõrgu rikke korral kaob kahe seadme vaheline side. Kui aga kummaski seadmes on patareid, siis elektrivõrgu rikke korral lülitatakse seadmete toide automaatselt ühendust katkestamata patareitoitele.

Uvod

Čestitamo na kupnji i dobro došli u Philips AVENT! Kako biste u potpunosti iskoristili podršku koju nudi tvrtka Philips AVENT, registrirajte svoj proizvod na: www.philips.com/welcome. Philips AVENT predan je proizvodnji pouzdanih proizvoda koji roditeljima pružaju potrebnu sigurnost. Philips AVENT monitor za bebe omogućuje vam da čujete svoju bebu ma gdje bili u svom domu i oko njega. Šesnaest ponuđenih kanala jamči minimalne smetnje i siguran prijem, pa ćete moći biti u stalnom kontaktu sa svojom bebom.

Opći opis (Sl. 1)

A Jedinica za bebu

- 1 Mikrofon
- 2 Utičnica za mali utikač
- 3 Gumb za uključivanje/isključivanje
- 4 Indikator napajanja
- 5 Kontrola osjetljivosti mikrofona
- 6 Gumb za odabir kanala
- 7 Adapter
- 8 Mali utikač
- 9 Poklopac odjeljka za baterije

B Roditeljska jedinica

- 1 Adapter
- 2 Mali utikač
- 3 Indikator napajanja
- 4 Zvučnik
- 5 Indikator veze
- 6 Kontrola jačine zvuka s funkcijom uključivanja/isključivanja
- 7 Alarm za prekid veze
- 8 Poklopac odjeljka za baterije
- 9 Gumb za odabir kanala

Važno

Prije korištenja aparata pažljivo pročitajte ove upute za uporabu i spremite ih za buduće potrebe.

Opasnost

- Nemojte uranjati monitor za bebe u vodu ili neku drugu tekućinu.

Upozorenje

- Prije priključivanja aparata provjerite odgovara li strujni napon naveden na adapterima jedinice za bebu i roditeljske jedinice naponu lokalne električne mreže.
- Koristite samo isporučene adaptere za priključivanje jedinice za bebu i roditeljske jedinice na mrežno napajanje.
- Adapteri sadrže transformator. Nemojte rezati adaptere i mijenjati ih drugim utikačima jer je to opasno.
- Ako su adapteri oštećeni, zamijenite ih isključivo originalnim kako biste izbjegli opasne situacije. Odgovarajuću vrstu potražite u poglavlju "Zamjena dijelova".
- Monitor za bebe nemojte koristiti na vlažnim mjestima ili blizu vode.
- Nemojte otvarati kućište jedinice za bebu i roditeljske jedinice, osim odjeljka za baterije jer u protivnom može doći do strujnog udara.
- Ovaj aparat nije namijenjen osobama (uključujući djecu) sa smanjenim fizičkim ili mentalnim sposobnostima niti osobama koje nemaju dovoljno iskustva i znanja, osim ako im je osoba odgovorna za njihovu sigurnost dala dopuštenje ili ih uputila u korištenje aparata.
- Malu djecu potrebno je nadzirati kako se ne bi igrala s aparatom.

- Monitor za bebe ima radni domet od 200 metara/600 stopa na otvorenom. Ako u okolini nema prepreka i drugih faktora koji bi mogli ometati prijem, domet može biti manji (pogledajte odjeljak "Radni domet", u poglavlju "Korištenje aparata").

Oprez

- Aparat koristite i odlažite pri temperaturama između 10°C i 40°C.
- Ne izlažite jedinicu za bebe i roditeljsku jedinicu ekstremnoj hladnoći, toplini ili izravnoj sunčevoj svjetlosti.
- Pazite da jedinica za bebu i kabel uvijek budu izvan dohvata bebe (najmanje 1 metar/3 stope udaljenosti).
- Nemojte stavljati jedinicu za bebu u bebin krevet ili ogradicu za igranje.
- Nikada nemojte pokrivati roditeljsku jedinicu niti jedinicu za bebe (npr. ručnikom ili pokrivačem).
- U jedinicu za bebu i roditeljsku jedinicu uvijek stavljajte odgovarajuće baterije bez mogućnosti punjenja.

Opće informacije

- Ovaj monitor za bebe je samo pomagalo i ne smije se koristiti kao zamjena za odgovoran nadzor od strane odrasle osobe.

Elektromagnetska polja (EMF)

Ovaj proizvod tvrtke Philips AVENT sukladan je svim standardima koji se odnose na elektromagnetska polja (EMF). Ako aparatom rukujete ispravno i u skladu s uputama iz ovog priručnika, prema dosada dostupnim znanstvenim dokazima on će biti siguran za uporabu.

Priprema za korištenje

Jedinica za bebu

Jedinicu za bebu možete koristiti uz napajanje preko lokalne mreže ili pomoću baterija bez mogućnosti punjenja. Čak i ako jedinicu napajate preko lokalne mreže, savjetujemo da umetnete baterije bez mogućnosti punjenja. To jamči automatsko rezervno napajanje u slučaju prekida mrežnog napajanja.

Rad na mrežno napajanje

- 1 Utikač za aparat priključite u jedinicu za bebu, a adapter u zidnu utičnicu (Sl. 2).** Indikator napajanja se uključuje.

Rad pomoću baterija bez mogućnosti punjenja

Jedinica za bebu radi na četiri R6 AA baterije od 1,5 volta (nisu u kompletu). Savjetujemo da koristite baterije Philips LR6 PowerLife. Nemojte koristiti baterije s mogućnošću punjenja, budući da jedinica za bebu nije opremljena sklopom za punjenje baterija.

Pri umetanju baterija bez mogućnosti punjenja isključite jedinicu za bebu iz napajanja te pazite da vaše ruke i aparat budu suhi.

- 1 Otključajte poklopac odjeljka za baterije okretanjem kvake pomoću novčića. Zatim uklonite poklopac (Sl. 3).**

- 2 Umetnite četiri baterije bez mogućnosti punjenja.**

Provjerite jesu li pozitivni i negativni polovi baterija okrenuti u odgovarajućem smjeru.

- 3 Vratite poklopac na otvor za baterije i zatvorite ga okretanjem gumba za zaključavanje pomoću novčića.**

Kad se baterije gotovo isprazne, indikator napajanja na jedinici za bebu treperi crveno.

Roditeljska jedinica

Jedinicu za roditelje možete koristiti uz napajanje preko lokalne mreže ili pomoću baterija bez mogućnosti punjenja. Čak i ako jedinicu napajate preko lokalne mreže, savjetujemo da umetnete baterije bez mogućnosti punjenja. To jamči automatsko rezervno napajanje u slučaju prekida mrežnog napajanja.

Rad na mrežno napajanje

1 Utikač za aparat priključite u jedinicu za roditelje, a adapter u zidnu utičnicu.

Indikator napajanja se uključuje.

Rad pomoću baterija bez mogućnosti punjenja

Jedinica za roditelje radi na četiri R6 AA baterije od 1,5 volta (nisu u kompletu). Savjetujemo da koristite baterije Philips LR6 PowerLife.

Nemojte koristiti baterije s mogućnošću punjenja, budući da jedinica za roditelje nije opremljena sklopom za punjenje baterija.

Pri umetanju baterija bez mogućnosti punjenja isključite jedinicu za roditelje iz napajanja te pazite da vaše ruke i aparat budu suhi.

1 Okrenite gumb za zaključavanje četvrt okretaja (1) i pomaknite poklopac utora za baterije prema dolje kako biste ga uklonili (2) (Sl. 4).

2 Umetnite četiri baterije bez mogućnosti punjenja.

Provjerite jesu li pozitivni i negativni polovi baterija okrenuti u odgovarajućem smjeru.

3 Vratite poklopac utora za baterije.

Napomena: Kad se baterije gotovo isprazne, indikator napajanja na jedinici za roditelje treperi crveno.

Napomena: Ako su baterije potpuno prazne, roditeljska jedinica se automatski isključuje i gubi kontakt s jedinicom za bebe.

Korištenje aparata

1 Postavite dvije jedinice u istu prostoriju kako biste provjerili vezu (Sl. 5).

Jedinica za bebe od roditeljske jedinice mora biti udaljena najmanje 1 metar/3 stope.

2 Pritisnite gumb za uključivanje/isključivanje kako biste uključili jedinicu za bebe (Sl. 6).

Indikatori napajanja trajno svijetle zeleno.

3 Uključite kontrolu jačine zvuka kako biste uključili roditeljsku jedinicu i postavili jačinu zvuka na razinu koja vam odgovara. (Sl. 7)

Indikatori napajanja trajno svijetle zeleno.

▶ Kada se uspostavi veza između jedinica, indikator veze na roditeljskoj jedinici trajno svijetli zeleno.

Napomena: Potrebno je otprilike 30 sekundi prije uspostavljanja veze.

Napomena: Ako se veza ne može uspostaviti, indikator povezivanja na roditeljskoj jedinici treperi crveno.

4 Postavite jedinicu za bebu najmanje 1 metar/3 stope od bebe (Sl. 8).

5 Postavite roditeljsku jedinicu unutar radnog dometa jedinice za bebe. Provjerite je li najmanje 1 metar/3 stope udaljena od jedinice za bebe. Više informacija o radnom dometu potražite u odjeljku "Radni domet" koji se nalazi ispod (Sl. 9).

Radni domet

Radni domet monitora za bebe je 200 metara/600 stopa na otvorenom. Ovisno o okruženju i ostalim čimbenicima, ovaj domet može biti manji.

Suhi materijali	Debljina materijala	Gubitak dometa
Drvo, žbuka, gipsana ploča, staklo (bez metala, žica ili olova)	< 30 cm/12 inča	0-10%
Cigla, šperploča	< 30 cm/12 inča	5-35%
Pojačani beton	< 30 cm/12 inča	30-100%
Metalne rešetke ili šipke	< 1 cm/0,4 inča	90-100%
Metalne ili aluminijske ploče	< 1 cm/0,4 inča	100%

Kod mokrih i vlažnih materijala, gubitak dometa može biti do 100%.

Značajke

Potvrda digitalnim signalom

Jedinica za roditelje ima indikator veze koji vas stalno obavještava o statusu veze između jedinice za bebu i jedinice za roditelje. Na jedinici za roditelje možete postaviti upozorenje koje će vas obavijestiti ako dođe do prekida veze. Upozorenje će se oglasiti čujnim zvučnim signalom, a indikator veze će treperiti crveno kada se veza prekine.

Za aktiviranje upozorenja na roditeljskoj jedinici:

- 1 Okrenite gumb za zaključavanje četvrt okretaja (1) i pomaknite poklopac utora za baterije prema dolje kako biste ga uklonili (2) (Sl. 4).
 - 2 Postavite prekidač alarma za prekid veze u odjeljku za baterije na položaj 'on' (uključeno).
 - 3 Vratite poklopac utora za baterije.
- Za isključivanje upozorenja postavite sklopku upozorenja na položaj "off" (isključeno).

Podesiva osjetljivost zvuka

Pomoću kontrole osjetljivosti mikrofona na jedinici za bebu možete postaviti željenu jačinu zvuka koju će jedinica za bebu detektirati: nisku, srednju ili visoku. Kada je osjetljivost mikrofona postavljena na "visoko", jedinica za bebu bilježi sve zvukove.

Napomena: Osjetljivost mikrofona na jedinici za bebu možete promijeniti kada je povezana s roditeljskom jedinicom.

- 1 Kontrolu osjetljivosti mikrofona koristite za postavljanje osjetljivosti mikrofona jedinice za bebu na željenu razinu. Kao zvučnu referencu možete koristiti svoj glas (Sl. 10).
- Indikator napajanja počeo će svijetliti žuto kada se emitira zvuk.

Napomena: Ako je osjetljivost postavljena na visoku razinu dok roditeljska jedinica radi na baterije, trošit će se više energije.

Podesiva jačina zvuka zvučnika

Jačinu zvuka na roditeljskoj jedinici možete mijenjati kako biste je prilagodili okruženju.

- 1 Regulator jačine zvuka na roditeljskoj jedinici okrećite udesno dok ne dosegnete željenu jačinu zvuka zvučnika.

Napomena: Ako se jačina zvuka postavi na visoku razinu dok se roditeljska jedinica napaja na baterije, trošit će se više energije.

Gumb za odabir kanala

Uvijek provjerite jesu li gumbi za odabir kanala unutar odjeljaka za baterije obje jedinice postavljeni na isti kanal. Pomoću gumba za odabir kanala možete odabrati šesnaest različitih kanala. Ako imate problema sa smetnjama uzrokovanim drugim monitorom za bebe, radio uređajima i sl., odaberite drugi kanal.

1 Otvorite poklopce odjeljka za baterije na obje jedinice.

► Jedinica za bebu: (Sl. 3)

- Okrenite kvaku za zaključavanje pomoću novčića i uklonite poklopac.
- Ako su baterije u odjeljku za baterije, uklonite ih.
- Pomoću malog, plosnatog odvijača okrenite regulator kanala na željeni položaj.

► Roditeljska jedinica: (Sl. 4)

- Okrenite gumb za zaključavanje četvrt okretaja (1) i pomaknite poklopac utora za baterije prema dolje kako biste ga uklonili (2).
- Ako su baterije u odjeljku za baterije, uklonite ih.
- Pomoću malog, plosnatog odvijača okrenite regulator kanala na željeni položaj.

Napomena: Dobro provjerite jesu li obje jedinice postavljene na isti kanal.

Ako prilikom testiranja veze ne primijetite nikakve smetnje, zatvorite odjeljke za baterije na jedinici za bebe i na jedinici za roditelje.

Ako dođe do smetnji, postavite regulator na drugi kanal i ponovno provjerite vezu.

Ako jedinice rade na baterije bez mogućnosti punjenja, zamijenite baterije i zatvorite odjeljke za baterije.

Čišćenje i održavanje

Ne uranjajte roditeljsku jedinicu ili jedinicu za bebu u vodu i ne perite ih pod slavinom.

Nemojte koristiti sprej za čišćenje niti tekuća sredstva za čišćenje.

- Jedinicu za bebu i jedinicu za roditelje isključite iz mrežnog napajanja ako su na njega priključene.
- Roditeljsku jedinicu i jedinicu za roditelje očistite vlažnom tkaninom.

Provjerite jesu li jedinice suhe prije ponovnog priključivanja na napajanje.

- Adaptere čistite suhom krpom.

Spremanje

Ako monitor za bebe nećete koristiti duže vrijeme, izvadite baterije bez mogućnosti punjenja iz jedinice za bebu i roditeljske jedinice. Jedinicu za bebu, roditeljsku jedinicu i adaptere pohranite na hladno i suho mjesto.

Zamjena dijelova

Jedinica za bebu

Baterije

Baterije bez mogućnosti punjenja jedinice za bebu zamjenjujte isključivo s četiri R6 baterije od 1,5V veličine AA.

Napomena: Izričito preporučamo upotrebu baterija bez mogućnosti punjenja tvrtke Philips.

Adapter

Adapter jedinice za bebu zamijenite isključivo odgovarajućim originalnim adapterom. Novi adapter možete naručiti od distributera ili ovlaštenog servisa tvrtke Philips:

- SBC CS0920/00W (samo EU/SGP)

- SBC CS0920/05W (samo UK)
- 9VD200 (samo AU/NZ)

Roditeljska jedinica

Baterije

Baterije bez mogućnosti punjenja u jedinice za roditelje zamjenjujte isključivo s četiri R6 baterije od 1,5 V veličine AA.

Napomena: Izričito preporučamo upotrebu baterija bez mogućnosti punjenja tvrtke Philips.

Adapter

Adapter roditeljske jedinice zamijenite isključivo odgovarajućim originalnim adapterom. Novi adapter možete naručiti od distributera ili servisa tvrtke Philips:

- SBC CS0920/00W (samo EU/SGP)
- SBC CS0920/05W (samo UK)
- 9VD200 (samo AU/NZ)

Zaštita okoliša

- ▶ Aparat koji se više ne može koristiti nemojte odlagati s uobičajenim otpadom iz kućanstva, nego ga odnesite u predviđeno odlagalište na recikliranje. Time ćete pridonijeti očuvanju okoliša (Sl. 11).
- ▶ Baterije sadrže tvari koje mogu biti štetne za okoliš. Nemojte ih bacati s normalnim kućnim otpadom, nego ih odložite na službeno odlagalište za baterije. Prije nego što bacite aparat ili ga odnesete na službeno odlagalište, uvijek izvadite baterije. (Sl. 12)

Jamstvo i servis

U slučaju da vam je potreban servis ili informacija ili imate neki problem, posjetite web-stranicu tvrtke Philips AVENT, www.philips.com/AVENT, ili se obratite centru za potrošače tvrtke Philips u svojoj državi (broj telefona možete pronaći u priloženom međunarodnom jamstvu). Ako u vašoj državi ne postoji centar za potrošače, obratite se lokalnom prodavaču proizvoda tvrtke Philips.

Često postavljana pitanja

U ovom poglavlju se nalaze odgovori na često postavljana pitanja o aparatu. Ako odgovor na svoje pitanje ne možete pronaći u ovom poglavlju, obratite se Philips centru za korisničku podršku u svojoj državi.

Pitanje	Odgovor
Zašto indikator napajanja ne svijetli?	Možda mali utikač nije ispravno umetnut u utičnicu na jedinici ili adapter nije ispravno umetnut u zidnu utičnicu.
	Možda ste zaboravili uključiti jedinice. Pritisnite gumb za uključivanje/isključivanje na jedinici za bebe i okrenite regulator jačine zvuka na roditeljskoj jedinici prema dolje kako biste uključili jedinice.
	Ako jedinice rade na baterije, možda su se baterije ispraznile. U tom ih slučaju zamijenite.
Zašto indikator napajanja treperi crveno?	Jedinica radi na baterije, a razina energije u baterijama je niska. Zamijenite baterije.

Pitanje	Odgovor
Zašto roditeljska jedinica proizvodi visoke tonove?	Jedinice su preblizu jedna drugoj. Roditeljsku jedinicu pomaknite barem 1 metar/3 stope od jedinice za bebe. Ako to ne pomogne, jačina zvuka je previsoka. Jačinu zvuka podesite na nižu razinu.
Zašto se iz jedinice za roditelje ne čuje zvuk?	Provjerite je li jačina postavljena na dovoljno visoku razinu. Ako je jačina zvuka preniska, kontrolu jačine zvuka okrenite na višu razinu. Provjerite i osjetljivost mikrofona jedinice za bebe.
Zašto indikator veze treperi crveno?	Treperi crveno jer nije uspostavljena veza. Roditeljska jedinica je možda izvan dometa jedinice za bebe ili je postavljena na kanal različit od kanala jedinice za bebe. Provjerite jesu li roditeljska jedinica i jedinica za bebe postavljene na isti kanal. Ako jesu, stavite roditeljsku jedinicu na drugo mjesto, bliže jedinici za bebe.
Zašto se iz roditeljske jedinice čuje zvučni signal?	Čujete alarm veze. On označava da nije uspostavljena veza između jedinice za roditelje i jedinice za bebe. Roditeljska jedinica je možda izvan dometa jedinice za bebe ili je postavljena na kanal različit od kanala jedinice za bebe. Provjerite jesu li roditeljska jedinica i jedinica za bebe postavljene na isti kanal. Ako jesu, stavite roditeljsku jedinicu na drugo mjesto, bliže jedinici za bebe.
Zašto roditeljska jedinica presporo reagira na bebine zvukove?	Postavite osjetljivost mikrofona na jedinici za bebe na višu razinu i/ili približite jedinicu za bebe roditeljskoj jedinici. Provjerite je li jedinica za bebe barem 1 metar/3 stope udaljena od bebe.
Zašto roditeljska jedinica prebrzo reagira na ostale zvukove?	Postavite osjetljivost mikrofona na jedinici za bebe na nižu razinu i/ili jedinicu za bebe postavite bliže bebi.
Zašto se veza ponekad gubi?	Jedinica za roditelje vjerojatno je preblizu granici radnog dometa. Postavite roditeljsku jedinicu bliže jedinici za bebe na mjesto s boljim prijemom. Napominjemo da je potrebno otprilike 30 sekundi za ponovno uspostavljanje veze kada pomaknete jednu ili obje jedinice.
Zašto se javljaju smetnje na roditeljskoj jedinici?	Do smetnji može doći kada je roditeljske jedinica izvan dometa jedinice za bebe. Jedinice za roditelje također može biti preblizu prozoru te kroz njega prima signale koji je ometaju. Odmaknite jedinicu za roditelje dalje od prozora. Do smetnji također dolazi ako između roditeljske jedinice i jedinice za bebe ima previše stropova ili zidova. Roditeljsku jedinicu stavite na drugo mjesto, bliže jedinici za bebe. Također provjerite jesu li jedinice dovoljno daleko od mobilnih ili bežičnih telefona, radija ili televizora.
Zašto roditeljska jedinica hvata signale od drugog monitora za bebe?	Monitor za bebe radi na istom kanalu kao drugi monitor za bebe koji se nalazi u blizini. Postavite obje jedinice na drugi kanal pomoću gumba za odabir kanala.
Zašto monitor za bebe nema navedeni domet od 200 m?	Domet od 200 metara vrijedi samo na otvorenom. U kući je domet ograničen brojem i vrstom zidova i/ili stropova između jedinica. Promijenite položaj jedne ili obje jedinice kako biste postigli optimalni domet.

Pitanje	Odgovor
Što se događa u slučaju prekida mrežnog napajanja?	Ako koristite mrežno napajanje, a da pritom niste umetnuli baterije u jedinice, veza će se izgubiti u slučaju prekida napajanja. Ako ste u obje jedinice umetnuli baterije, one će se automatski prebaciti na napajanje preko baterija i veza se neće izgubiti u slučaju prekida mrežnog napajanja.

Bevezetés

Köszönjük, hogy Philips AVENT terméket vásárolt! A Philips AVENT által biztosított teljes körű támogatáshoz regisztrálja termékét a www.philips.com/welcome oldalon.

A Philips olyan megbízható és gondoskodó termékek gyártása mellett elkötelezett, amelyek megnyugtató használatot biztosítanak a szülők számára. Ezen Philips AVENT babaőr segítségével hallhatja gyermekét, akárhol is tartózkodik Ön otthonában, vagy annak közelében. A tizenhat különböző csatorna minimális interferenciát és biztos vételt biztosít, lehetővé téve, hogy állandóan kapcsolatban legyen gyermekével.

Általános leírás (ábra 1)

A Bébiegység

- 1 Mikrofon
- 2 Aljzat kis méretű dugaszhoz
- 3 Be/kikapcsoló gomb
- 4 Bekapcsolás jelzőfény
- 5 Mikrofonérzékenység-vezérlés
- 6 Csatornaválasztó
- 7 Adapter
- 8 Kisméretű csatlakozódugasz
- 9 Elemtartórekesz-fedél

B Szülői egység

- 1 Adapter
- 2 Kisméretű csatlakozódugasz
- 3 Bekapcsolás jelzőfény
- 4 Hangszóró
- 5 Kapcsolatot jelző fény
- 6 Hangerővezérlő, be- és kikapcsolási funkcióval
- 7 A kapcsolat megszakadására figyelmeztető funkció kapcsolója
- 8 Elemtartórekesz-fedél
- 9 Csatornaválasztó

Fontos!

A készülék első használata előtt figyelmesen olvassa el a használati útmutatót, és őrizze meg későbbi használatra.

Veszély

- Soha ne merítse a babaőrzőt, illetve alkatrészét vízbe vagy más folyadékba.

Figyelmeztetés

- Mielőtt a készüléket a fali konnektorhoz csatlakoztatja, ellenőrizze, hogy a bébi- és a szülői egység adapterén feltüntetett feszültség egyezik-e a helyi hálózati feszültséggel.
- A bébiegységet és a szülői egységet csak a mellékelt adapter segítségével csatlakoztassa a fali konnektorhoz.
- Az adapterek transzformátort tartalmaznak. A veszély elkerülése érdekében ne vágja le az adaptert, az más csatlakozóval nem helyettesíthető.
- A kockázat elkerülése érdekében az adapterek meghibásodása esetén mindig eredeti típusúra cserélje ki őket. A megfelelő típust a „Csere” című fejezetben találja.
- Soha ne használja a babaőrzőt nedves helyen vagy víz közelében.
- Az elektromos áramütés elkerülése érdekében az elemtartó-rekesz kivételével ne nyissa fel a babaőrző (bébi- vagy szülői-) egységeinek készülékházát.
- A készülék működtetésében járatlan személyek, gyerekek, nem beszámítható személyek felügyelet nélkül soha ne használják a készüléket.

- Vigyázzon, hogy a gyerekek ne játsszanak a készülékkel.
- A babaőrző a szabadban 200 méteres hatósugárral rendelkezik. A környezettől és egyéb zavaró tényezőktől függően a hatótávolság kisebb is lehet (tekintse meg a „Hatótávolság” című fejezetet a „Készülék használata” részben).

Figyelem

- A készüléket 10 °C és 40 °C közötti hőmérsékleten tárolja és használja.
- A bébi egységet és a szülői egységet óvja a túlzott hőtől, hidegtől és a közvetlen napfénytől!
- Ügyeljen arra, hogy a bébi egység és a kábel olyan távolságra legyen, hogy az gyermeke számára ne legyen elérhető (legalább 1 méterre)!
- Soha ne tegye a bébi egységet a baba ágyába, vagy a járókába.
- Ne takarja le se a szülői, se a bébi egységet (pl. törülközővel vagy takaróval).
- Mindig megfelelő elemeket helyezzen a bébi egységbe és a szülői egységbe.

Általános

- Ez a babaőrző segítséget jelent. Nem helyettesíti a megfelelő felelős felnőtt felügyeletet, és nem használható ilyen célokra.

Elektromágneses mezők (EMF)

Ez a Philips AVENT készülék megfelel az elektromágneses mezőkre (EMF) vonatkozó szabványoknak. Amennyiben a használati útmutatóban foglaltaknak megfelelően üzemeltetik, a jelenlegi tudományos bizonyítékok alapján készülék működése biztonságosnak számít.

Előkészítés

Bébi egység

A babaőrzőt hálózati tápfeszültségről vagy elemről működtetheti. A hálózati tápfeszültség használata mellett is tanácsos a készülékbe elemet is helyezni, amely tartalék áramforrásként üzemelhet áramszünet esetén.

Hálózati üzemmód

- 1** Helyezze a készülék dugaszát a bébi egységbe, és csatlakoztassa az adaptert a fali konnektorba (ábra 2).

A működésjelző fény világítani kezd.

Működés elemekkel

A bébi egység négy db 1,5 V-os R6 AA elemmel működik (külön megvásárolható). Ajánljuk, hogy Philips LR6 PowerLife elemeket használjon.

Ne használjon akkumulátort, ha a bébi egység nem tölthető.

Húzza ki a bébi egység tápkábelét a fali aljzatból, és ügyeljen arra, hogy az elemek behelyezésekor a keze és az egység egyaránt száraz legyen.

- 1** Az elemtartó rekesz fedelének kinyitásához fordítsa el a zárógombot egy érme segítségével. Ezután vegye le a fedelet (ábra 3).

- 2** Helyezzen be négy elemet.

Ügyeljen arra, hogy az elemek + és - pólusai a megfelelő irányban legyenek.

- 3** Tegye vissza az elemtartó rekesz fedelét, majd egy érme segítségével fordítsa el a zárógombot. Ha az akkumulátorok feszültsége alacsony, a bébi egységen található működésjelző fény vörös fényvel villog.

Szülői egység

A szülői egységet hálózati tápfeszültségről vagy elemről működtetheti. A hálózati tápfeszültség használata mellett is tanácsos a készülékbe elemet is helyezni, amely tartalék áramforrásként üzemelhet áramszünet esetén.

Hálózati üzemmód

- 1** Helyezze a kis méretű dugaszt a szülői egységbe, és csatlakoztassa az adaptert a fali konnektorba.

A működésjelző fény világitani kezd.

Működés elemekkel

A szülői egység négy db 1,5 V-os R6 AA elemmel működik (külön megvásárolható). Ajánljuk, hogy Philips LR6 PowerLife elemeket használjon.

Ne használjon akkumulátort, mivel a szülői egység nem tölthető.

Húzza ki a szülői egység tápkábelét a fali aljzataból, és ügyeljen arra, hogy az elemek behelyezésekor a keze és az egység egyaránt száraz legyen.

- 1** Fordítsa el a zárógombot egy negyed fordulattal (1), majd csúsztassa le az elemtartó rekesz fedelét annak eltávolításához (2) (ábra 4).

- 2** Helyezzen be négy elemet.

Ügyeljen arra, hogy az elemek + és - pólusai a megfelelő irányban legyenek.

- 3** Helyezze vissza az elemtartó rekesz fedelét.

Megjegyzés: Ha az akkumulátorok feszültsége alacsony, a szülői egységen található üzemjelző fény vörös fénnel villog.

Megjegyzés: Amikor az akkumulátorok teljesen lemerülnek, a szülői egység automatikusan kikapcsol, és megszűnik a kapcsolat a bébi egységgel.

A készülék használata

- 1** A kapcsolat teszteléséhez helyezze mindkét egységet azonos helyiségbe (ábra 5).

Ügyeljen, hogy a bébiegység legalább 1 méterre legyen a szülői egységtől.

- 2** A be-/kikapcsoló gombbal kapcsolja be a bébiegységet (ábra 6).

A bekapcsolás jelzőfény folyamatos zöld fénnel ég.

- 3** A szülői egység bekapcsoláshoz tekerje a hangerővezérlőt a kívánt szintre. (ábra 7)

A bekapcsolás jelzőfény folyamatos zöld fénnel ég.

- Amikor az egységek között a kapcsolat létrejön, a szülői egységen a kapcsolatjelző fény zölden kezd világitani.

Megjegyzés: Kb. 30 másodperc, amíg a kapcsolat létrejön.

Megjegyzés: Ha nem jön létre kapcsolat, a szülői egységen található kapcsolatot jelző fény vörös fénnel villog.

- 4** Helyezze a bébiegységet legalább 1 méternyire a gyermektől (ábra 8).

- 5** Helyezze a szülői egységet a bébiegység hatósugarán belülre. Győződjön meg róla, hogy az legalább 1 méterre van a bébiegységtől. A hatótávolsággal kapcsolatos további információkat alább, a „Hatótávolság” c. fejezetben talál (ábra 9).

Hatótávolság

A babaőrző hatótávolsága szabadban 200 méter. A környezet és egyéb zavaró tényezők függvényében ez csökkenhet.

Száraz anyagok	Anyagvastagság	Hatótávvesztés
Fa, gipsz, gipszkarton, üveg (fém, huzalok és ólom nélkül)	< 30 cm	0-10%
Tégla, furnérlemez	< 30 cm	5-35%
Vasbeton	< 30 cm	30-100%
Fém rácsok vagy korlátok	< 1 cm	90-100%
Fém vagy alumínium lemezek	< 1 cm	100%

Nedves anyagoknál a hatótávvesztés akár 100% is lehet

Jellemzők

Digitális kapcsolat jelző

A szülői egység rendelkezik egy kapcsolatot jelző fényvel, amely folyamatosan információt szolgáltat az Ön számára a bébi- és a szülői egység közötti kapcsolat állapotáról. A szülői egységen lehetősége van beállítani egy riasztást, amely figyelmeztető hangjelzést ad Önnek, ha a kapcsolat megszűnik. Egy sípoló hangjelzés és a kapcsolat jelzőfény vörös villogása jelzi, hogy a kapcsolat megszakadt.

A figyelmeztetés aktiválása a szülői egységen:

- 1** Fordítsa el a zárógombot egy negyed fordulattal (1), majd csúsztassa le az elemtartó rekesz fedelét annak eltávolításához (2) (ábra 4).
 - 2** Állítsa a kapcsolat megszakadására figyelmeztető funkció elemtartó rekeszben található kapcsolóját az „on” (be) helyzetbe.
 - 3** Helyezze vissza az elemtartó rekesz fedelét.
- A figyelmeztető funkció kikapcsolásához, állítsa a riasztási figyelmeztető kapcsolót az 'off' (ki) helyzetbe.

Állítható hangérzékenység

A bébiegység mikrofonérzékenység vezérlőjével a kívánt szintre (alacsony, közepes, erős) állíthatja a bébiegység által vett hangot. Ha a mikrofonérzékenységet nagyra állítja, a bébiegység minden hangot érzékel.

Megjegyzés: A bébiegység érzékenységének megváltoztatásához szükség van a bébiegység és a szülői egység közötti kapcsolatra.

- 1** A bébiegység mikrofonérzékenységének kívánt szintre történő beállításához használja a mikrofonérzékenység vezérlőt. Ellenőrizze saját hangjával (ábra 10).
- A bébiegység működéjelzője sárgára vált, ha veszi a hangot.

Megjegyzés: Az akkumulátorokkal való működés során a magas hangerőn való üzemeltetéskor a szülői egység több energiát fogyaszt.

A hangszóró hangereje beállítható

A szülői egység hangerejét a környezetnek megfelelően állíthatja be.

- 1** Forgassa el a szülői egység jobb oldalán található hangerőszabályzót, amíg a szülői egység hangszórójának hangereje nem éri el a kívánt szintet.

Megjegyzés: Az akkumulátorokkal való működés során a magas hangerőn való üzemeltetéskor a szülői egység több energiát fogyaszt.

Csatornaválasztó

Mindig ügyeljen, hogy mindkét egység elemtartó rekeszében a csatornaválasztók azonos csatornára legyenek állítva. A csatornaválasztókkal tizenhat különböző csatornabeállítás közül választhat. Amennyiben más babaórázók, rádiókészülékek stb. okozta interferenciát tapasztal, válasszon másik csatornát.

1 Nyissa ki mindkét egység elemtartó rekeszének fedelét.

► Bébiegység (ábra 3)

- Egy érme segítségével fordítsa el a zárógombot és vegye le a fedelet.
- Ha van benne, vegye ki az elemeket az elemtartó rekeszből.
- Kisméretű, lapos fejű csavarhúzó segítségével állítsa a csatornaválasztót a kívánt pozícióba.

► Szülői egység (ábra 4)

- Fordítsa el a zárógombot egy negyed fordulattal (1), majd csúsztassa le az elemtartó rekesz fedelét annak eltávolításához (2).
- Ha van benne, vegye ki az elemeket az elemtartó rekeszből.
- Kisméretű, lapos fejű csavarhúzó segítségével állítsa a csatornaválasztót a kívánt pozícióba.

Megjegyzés: Ügyeljen arra, hogy mindkét egységen azonos csatornát állítson be.

Ha a kapcsolat ellenőrzésekor nem tapasztal interferenciát, zárja vissza a bébi- és szülői egység elemtartó rekeszeit.

Ha interferenciát tapasztal, állítsa a csatornaválasztót másik csatornára, és ellenőrizze újra a kapcsolatot.

Ha az egységek elemekkel működnek, cserélje ki azokat, és zárja vissza az elemtartó rekeszeket.

Tisztítás és karbantartás

Ne merítse a szülői és a bébiegységet vízbe, és ne tisztítsa vízcsap alatt.

Ne használjon tisztító sprayt vagy folyékony tisztítószeret.

- Ha csatlakoztatva vannak, húzza ki a bébiegység vagy a szülői egység tápkábelét a fali konnektorból.
- A bébi- és a szülői egységet nedves ruhával tisztítsa.

A hálózatra való csatlakoztatás előtt ellenőrizze, hogy az egységek szárazak-e.

- Az adaptereket száraz ruhával tisztítsa.

Tárolás

Ha előreláthatóan nem fogja használni a babaórát, távolítsa el az elemeket a bébiegységből és a szülői egységből, majd az adapterekkel együtt egy hűvös és száraz helyen tárolja azokat.

Csere

Bébiegység

Elemek

A bébiegység elemeit négy darab, csak 1,5 V-os R6 AA típusú elemre cserélje.

Megjegyzés: Philips gyártnányú elemek használata ajánlott.

Adapter

A bébiegység adapterét kizárólag eredeti típusú adapterre cserélje. Új adaptert a márkakereskedőtől vagy a Philips szakszervízben rendelhet.

- SBC CS0920/00W (csak EU/SGP)
- SBC CS0920/05W (csak UK)

- 9VD200 (csak AU/NZ)

Szülői egység

Elemek

A szülői egység elemeit négy darab, csak 1,5 V-os R6 AA típusú elemre cserélje.

Megjegyzés: Philips gyártmányú elemek használata ajánlott.

Adapter

A szülői egység adapterét kizárólag eredeti típusú adapterre cserélje. Új adaptert a márkakereskedőtől vagy a Philips szakszervízben rendelhet.

- SBC CS0920/00W (csak EU/SGP)
- SBC CS0920/05W (csak UK)
- 9VD200 (csak AU/NZ)

Környezetvédelem

- ▶ A feleslegessé vált készülék szelektív hulladékként kezelendő. Kérjük, hivatalos újrahasznosító gyűjtőhelyen adja le, így hozzájárul a környezet védelméhez (ábra 11).
- ▶ Az elemek környezetszennyező anyagokat tartalmaznak, ezért szelektív lakossági hulladékként kezelendők, hivatalos gyűjtőhelyre szállítandók. A készüléket hivatalos gyűjtőhelyen való leadása, vagy leselejtezése előtt távolítsa el az elemeket. (ábra 12)

Jótállás és szerviz

Ha javításra vagy információra van szüksége, vagy ha valamilyen probléma merült fel, látogasson el a Philips AVENT honlapjára www.philips.com/AVENT, vagy forduljon az adott ország Philips vevőszolgálatához (a telefonszámot megtalálja a világszerte érvényes garancialevélen). Ha országában nem működik ilyen vevőszolgálat, forduljon a Philips helyi szaküzletéhez.

Gyakran ismétlődő kérdések

Ez a fejezet a készülékkel kapcsolatban leggyakrabban felmerülő kérdéseket tartalmazza. Ha nem talál választ kérdésére, forduljon a Philips vevőszolgálatához.

Kérdés	Válasz
Miért nem világít a működést jelző fény?	Előfordulhat, hogy a készülék dugasa nem csatlakozik megfelelően a töltő aljzatához, vagy az adapter nem csatlakozik megfelelően a fali aljzathoz. Elképzelhető, hogy elfelejtette bekapcsolni az egységeket. Az egységek bekapcsolásához nyomja meg a be/ki gombot a bébi egységen, és a szülői egységen tekerje le a hangerővezérlőt. Ha az egységeket elemről működteti, lehet, hogy az elemek lemerültek. Ebben az esetben cserélje ki az elemeket.
Miért villog pirosan a működésjelző?	Az egységet elemről működteti, és az elemek lemerültek. Cserélje ki az elemeket.
Miért ad ki a szülői egység éles hangot?	Az egységek túl közel vannak egymáshoz. Helyezze a szülői egységet legalább 1 méteres távolságra a bébi egységtől. Ha ez nem segít, a hangerő túl magasra van állítva. Állítsa a hangerőt alacsonyabb fokozatra.

Kérdés	Válasz
Miért nem ad ki hangot a szülői egység?	Ellenőrizze, hogy a hangerő elég nagyra van-e állítva. Ha a hangerő túl alacsony, állítsa a hangerőt erősebb fokozatra. Ellenőrizze a bébiegység mikrofonérzékenységét is.
Miért villog vörös fényel a kapcsolat jelzőfény?	Azért villog vörösön, mert nincs kapcsolat. A szülői egység valószínűleg kívül esik a bébiegység hatótávolságán, vagy másik csatornára van állítva, mint a bébiegység. Ellenőrizze, hogy azonos csatornára van-e állítva a szülői és a bébiegység. Ha igen, helyezze a szülői egységet közelebb a bébiegységhez.
Miért sípól a szülői egység?	Ez a kapcsolat megszakadására figyelmeztető jelzés. Azt jelzi, hogy nincs kapcsolat, mivel a szülői egység valószínűleg kívül esik a bébiegység hatótávolságán, vagy másik csatornára van állítva, mint a bébiegység. Ellenőrizze, hogy azonos csatornára van-e állítva a szülői és a bébiegység. Ha igen, helyezze a szülői egységet közelebb a bébiegységhez.
Miért reagál lassan a szülői egység a gyerek hangjára?	Állítsa a bébiegységen a mikrofonérzékenységet magasabb fokozatra, vagy helyezze közelebb a bébiegységet a gyermekhez. Ügyeljen arra, hogy a bébiegység legalább 1 méterre legyen a gyermektől.
Miért reagál túl gyorsan más hangokra a szülői egység?	Állítsa a bébiegységen a mikrofonérzékenységet alacsonyabb fokozatra, vagy helyezze közelebb a bébiegységet a gyermekhez.
Miért szűnik meg a kapcsolat időről-időre?	A szülői egység valószínűleg közel van a hatótávolság határához. Helyezze a szülői egységet a bébiegységhez közelebbi, jobb vételt biztosító helyre. Vegye figyelembe, hogy kb. 30 másodpercig tart, amíg a kapcsolat újra helyreáll, ha az egyik vagy mindkét egységet elmozdítja.
Miért lép fel interferencia a szülői egységnél?	Interferencia léphet fel, ha a szülői egység kívül van a bébiegység hatótávolságán. Lehet, hogy a szülői egység túl közel van az ablakhoz, és azon keresztül interferenciát okozó jeleket fog. Helyezze a szülői egységet az ablaktól távolabb. Akkor is felléphet interferencia, ha túl sok fal vagy mennyezet választja el egymástól a szülői és a bébiegységet. Helyezze a szülői egységet közelebb a bébiegységhez. Ellenőrizze azt is, hogy az egységek közelében nincs-e mobil- vagy vezeték nélküli telefon, rádió- vagy televíziókészülék.
Miért fogja a szülői egység más babaőrzők jeleit?	A babaőrző ugyanazon a csatormán működik, mint a közelben lévő más babaőrzők. A csatornaválasztóval állítsa mindkét egységet egy másik csatornára.
Miért nem éri el a babaőrző hatótávolsága a megadott 200 métert?	A megadott 200 méteres hatótáv csak a szabadban érvényes. A házban a hatótávot két egység között lévő a falak és/vagy mennyezetek anyaga és mennyisége korlátozza. A hatótáv optimalizálása érdekében változtassa meg az egyik-, vagy mindkét egység helyét.
Mi történik áramszünet esetén?	Amennyiben hálózati feszültségről működteti az egységeket, és nem helyezett be elemeket, áramszünet esetén a kapcsolat megszakad. Ha mindkét egységben van elem, áramszünet esetén automatikusan átváltanak elemes üzemmódra, és a kapcsolat nem szakad meg.

Кіріспе

Осы затты сатып алуыңызбен құттықтаймыз және Philips AVENT компаниясына қош келдіңіз! Philips AVENT ұсынатын қолдауды толығымен қолдану үшін өніміңізді www.philips.com/welcome сайтында тіркеңіз.

Philips AVENT компаниясының мақсаты ата аналарға қажетті сақтандыруларды қамтамасыз ететін сенімді күтім көрсету өнімдерін шығару болып табылады. Philips AVENT нәресте мониторы үйдің ішінде және сыртында болсаңыз да нәрестені естуге мүмкіндік туғызады. Он алты арналық опциялар нәрестемен тұрақты байланыста болуға мүмкіндік бере отырып, аз кедергі мен сенімді қабылдауға кепілдік береді.

Жалпы сипаттама (Сурет 1)**A Нәресте бөлігі**

- 1 Микрофон
- 2 Кішкене шанышқыға арналған розетка
- 3 Қосу/өшіру түймесі
- 4 Тоққа қосылулы деген жарық
- 5 Микрофон сезімталдығын бақылау
- 6 Арна таңдаушы
- 7 Адаптер
- 8 Кішкене шанышқы
- 9 Батарея орнының қақпағы

B Ата-аналар бөлігі

- 1 Адаптер
- 2 Кішкене шанышқы
- 3 Тоққа қосылулы деген жарық
- 4 Дауыс зорайтқыш
- 5 Байланыс жарығы
- 6 Қосу/өшіру қызметі бар дауыс бақылаушы
- 7 Байланыс нашарлағанын ескертетін түйме
- 8 Батарея орнының қақпағы
- 9 Арна таңдаушы

Маңызды

Құрылғыны қолданар алдында, осы нұсқауды ықыласпен оқып шығыңыз, әрі болашақта қолдану үшін сақтап қойыңыз.

Қауіпті

- Нәресте мониторының ешқандай бөлігін суға немесе басқа сұйықтыққа батыруға болмайды.

Ескерту

- Құрылғыны қосар алдында нәресте бөлігі мен ата-аналар бөлігіндегі адаптерлерде көрсетілген кернеудің жергілікті ток көзінің кернеуіне сәйкес келетіндігін тексеріп алыңыз.
- Нәресте бөлігі мен ата-аналар бөлігін ток көзіне қосу үшін жинақта берілген адаптерлерді ғана қолданыңыз.
- Адаптерлерде трансформатор болады. Қауіпті жағдай туғызатындықтан, адаптерлерді кесіп алып тастап, басқа ашалармен алмастырмаңыз.
- Егер адаптерлер бүлінген болса, қауіпті жағдайдың тууына жол бермеу үшін оларды түпнұсқа түрімен алмастырыңыз. Дұрыс түрін табу үшін «Алмастыру» тармағын қараңыз.
- Нәресте мониторын дымқыл немесе суға жақын жерге қоймаңыз.
- Электр тогының соғуына жол бермеу үшін батареялар бөлімінен басқа, нәресте бөлігі мен ата-аналар бөлігінің корпусын ашпаңыз.

- Бұл құрылғы физикалық, сезімталдық немесе ақыл-ой қабілеттері төмен адамдардың (оның ішінде балалар), тәжірибесі және білімі жоқ адамдардың қолдануына арналмаған, олардың қауіпсіздігіне жауап беретін адам оларға жетекшілік етіп, құрылғыны қалай қолдану керектігін түсіндіруі тиіс.
- Балаларды бақылап, олардың құралмен ойнамауын қадағалаңыз.
- Ашық жерде нәресте монитормы 150 метр/450 фут аралығында жұмыс жасай береді. Қоршаған орта мен басқа кедергі келтіретін факторларға байланысты жұмыс жасау аймағының арақашықтығы қысқаруы мүмкін («Құрылғыны қолдану» тарауындағы «Жұмыс жасау аймағы» бөлімін қараңыз).

Абайлаңыз

- Құрылғыны тек 10°C және 40°C температурасы аралығында ғана зарядтауға, қолдануға және сақтауға болады.
- Нәресте және ата-аналар бөлігін қатты суыққа, ыстыққа немесе тікелей күн көзіне шығармаңыз.
- Нәресте бөлігі мен оның сымына нәрестенің қолы жетпейтініне көз жеткізіңіз (кемінде 1 метр/3 фут қашықтықта болуы керек).
- Нәресте бөлігін бөпенің төсегіне немесе манежінің ішіне қоймаңыз.
- Ата-аналар және нәресте бөліктерін ешқашан еш нәрсемен жаппаңыз (мәселен, сүлгі немесе көрпеше).
- Әрдайым нәресте бөлігі мен ата-аналар бөлігіне қайта зарядталмайтын батареялардың дұрыс түрін салыңыз.

Жалпы

- Бұл нәресте монитормы тек көмекші құрал ретінде ғана жасалған. Ол жауапкершілікті және орнықты ересек бақылауын алмастыра алмайды, оны бұл мақсатпен қолдануға болмайды.

Электромагниттік өрістер (ЭМӨ)

Бұл Philips AVENT құралы электромагниттік өріске (ЭМӨ) байланысты барлық стандарттарға сәйкес келеді. Егер ол дұрыс және осы пайдаланушы нұсқаулығындағы нұсқауларға сәйкес пайдаланылса, құрал бүгінгі таңдағы ғылыми дәлелдерге негізделіп қолдануға қауіпсіз болып келеді.

Қолдануға дайындау

Нәресте бөлігі

Нәресте монитормын ток көзіне қосып немесе қайта зарядталмайтын батареялармен пайдалануға болады. Құрылғыны ток көзіне қосып пайдаланатын болғанның өзінде, оған қайта зарядталмайтын батареяларды салып қоюға деп кеңес береміз. Бұл ток келмей қалған жағдайда автоматты түрде қуат көзі қызметін атқарады.

Ток көзінен жұмыс жасау

1 Құрал ашасын нәресте бөлігіне, ал адаптерді қабырғадағы розеткаға қосыңыз (Сурет 2). Қосылды деген жарық жанады.

Қайта зарядталмайтын батареялармен жұмыс жасау

Нәресте бөлігі төрт 1,5-вольтті R6 AA батареяларымен (жинақта берілмейді) жұмыс істейді. Біз сізге міндетті түрде тек Philips LR6 PowerLife батареяларын қолдануға кеңес береміз. Қайта зарядталатын батареяларды қолданбаңыз, себебі нәресте бөлігінде қайта зарядтау функциясы жоқ.

Нәресте бөлігін ток көзінен ажыратып, қайта зарядталмайтын батареяларды салар алдында қолдарыңыз бен құрылғының құрғақ екендігін тексеріңіз.

1 Батарея орнының қақпағындағы бекіту түймесін тйынмен бұрап ашыңыз. Қақпақты алып тастаңыз (Сурет 3).

2 Қайта зарядталмайтын батареялардың төртеуін салыңыз.

Батарелардың + және – жақтары керекті бағытта екендігіне көзіңізді жеткізіңіз.

3 Батареялар бөлімінің қақпағын орнына салып, кілттейтін тұтқаны тиынмен бұрау арқылы оны жабыңыз.

Батареялардың заряды таусыла бастағанда, нәресте бөлігіндегі батарея шамы қызыл болып жыпылықтайды.

Ата-аналар бөлігі

Ата-аналар бөлігін ток көзіне қосып немесе қайта зарядталмайтын батареялармен пайдалануға болады. Құрылғыны ток көзіне қосып пайдаланатын болғанның өзінде, оған қайта зарядталмайтын батареяларды салып қоюға кеңес береміз. Бұл ток келмей қалған жағдайда автоматты түрде қуат көзі қызметін атқарады.

Ток көзінен жұмыс жасау

1 Құрал ашасын ата-аналар бөлігіне, ал адаптерді қабырғадағы розеткаға қосыңыз.

Қосылды деген жарық жанады.

Қайта зарядталмайтын батареялармен жұмыс жасау

Ата-аналар бөлігі төрт 1,5-вольтті R6 AA батареяларымен (жинақта берілмейді) жұмыс істейді. Біз сізге міндетті түрде тек Philips LR6 PowerLife батареяларын қолдануға кеңес береміз. Қайта зарядталатын батареяларды қолданбаңыз, себебі ата-аналар бөлігінде қайта зарядтау функциясы жоқ.

Ата-аналар бөлігін ток көзінен ажыратып, қайта зарядталмайтын батареяларды салар алдында қолыңыз бен құрылғының құрғақ екендігін тексеріңіз.

1 Кілттейтін тұтқаны бір ширек айналымға бұрап (1), батарея жапқышын ашу үшін оны төмен сырғытыңыз (2) (Сурет 4).

2 Қайта зарядталмайтын батареялардың төртеуін салыңыз.

Батарелардың + және – жақтары керекті бағытта екендігіне көзіңізді жеткізіңіз.

3 Батарея бөлімінің қақпағын орнына салыңыз.

Ескертпе: Батареялардың заряды таусыла бастағанда, ата-аналар бөлігіндегі батарея шамы қызыл болып жыпылықтайды.

Ескертпе: Егер батареялар толығымен таусылса, ата-аналар бөлігі автоматты түрде сөніп, нәресте бөлігімен байланысын жоғалтады.

Құрылғыны қолдану

1 Екі бөлікті де бір бөлмеге орнатып, байланысты тексеріңіз (Сурет 5).

Нәресте бөлігі ата аналар бөлігінен ең кем дегенде 1 метр/3 фут қашықтықта болуы тиіс.

2 Нәресте бөлігін қосу үшін қосу/өшіру түймесін басыңыз (Сурет 6).

Құрылғыны қосу шамы жасыл болып жанып тұрады.

3 Ата аналар бөлігін қосу үшін дауыс түймесін бұраңыз және өзіңіз қалайтын дауыс деңгейін орнатыңыз. (Сурет 7)

Құрылғыны қосу шамы жасыл болып жанып тұрады.

• Екі бөлік арасында байланыс орнатылғанда, ата аналар бөлігіндегі байланыс шамы жасыл болып жанады.

Ескертпе: Байланыс орнатылу үшін шамамен 30 секунд уақыт керек болады.

Ескертпе: Егер байланыс орнатылмаса, ата-аналар құрылғысындағы байланыс шамы қызыл болып жыпылықтайды.

- 4 Нәресте бөлігін өзіңіздің нәрестеңізден ең кем дегенде 1 метр/3 фут қашықтықта қойыңыз (Сурет 8).
- 5 Ата аналар бөлігін нәресте бөлігінің байланыс аймағына қойыңыз. Оның нәресте бөлігінен ең кем дегенде 1 метр/3 фут қашықтықта екендігін тексеріңіз. Жұмыс жасайтын аймақ жөнінде толығырақ ақпарат алу үшін «Жұмыс жасау аймағы» бөлімін қараңыз (Сурет 9).

Жұмыс жасау аймағы

Ашық жерде нәресте монитормы 150 метр/450 фут аралығында жұмыс жасай береді. Қоршаған орта мен басқа кедергі келтіретін факторларға байланысты жұмыс жасау аймағының арақашықтығы қысқаруы мүмкін.

Құрғақ материалдар	Материалдар қалыңдығы	Байланысты жоғалту
Ағаш, гипс, картон, әйнек (металы жоқ, тоқ сым немесе қорғасын)	<30 см/12 дюйм	0-10%
Кірпіш, клейленген фанер	<30 см/12 дюйм	5-35%
Темірбетон	<30 см/12 дюйм	30-100%
Металды торлар мен кесектер	< 1 см/0,4 дюйм	90-100%
Металл немесе алюминий беттері	< 1 см/0,4 дюйм	100%

Сулы немесе дымқыл материалдардан байланыс аймағы толығымен жоғалуы мүмкін.

Мүмкіндіктер

Сандық сигнал анықтаушы

Ата-аналар бөлігіндегі байланыс шамы нәресте және ата-аналар бөліктерінің арасындағы байланыс күйін көрсетіп отырады. Ата-аналар бөлігіндегі дабылды байланыс жоғалған жағдайда сізге хабар беретін етіп қоюға болады. Байланыс жоғалғанда, дабыл дыбыстық белгі беріп, байланыс шамы қызыл болып жыпылықтайды.

Ата-аналар бөлігіндегі дабылды қосу үшін:

- 1 Кілттейтін тұтқаны бір ширек айналымға бұрап (1), батарея жапқышын ашу үшін оны төмен сырғытыңыз (2) (Сурет 4).
- 2 Батареялар бөліміндегі байланыс дабылының қосқышын «оп» (қосу) позициясына қойыңыз.
- 3 Батарея бөлімінің қақпағын орнына салыңыз. Дабылды өшіру үшін байланыс дабылының қосқышын «off» (өшіру) позициясына қойыңыз.

Икемді дыбыс сезімталдық

Ата-аналар бөлігіндегі микрофон сезімталдығын басқару тұтқасы арқылы нәресте бөлігі қабылдайтын дыбысты қажетті деңгейге (төмен, орташа немесе жоғары) қоюға болады. Микрофон сезімталдығы «high» (жоғары) деңгейіне қойылғанда, нәресте бөлігі барлық дыбысты қабылдайды.

Ескертпе: Нәресте бөлігі мен ата-аналар бөлігінің арасында байланыс болғанда, тек нәресте бөлігінің сезімталдығын өзгертуге болады.

1 Нәресте бөлігі микрофонының сезімталдығын қажетті деңгейге қою үшін микрофон сезімталдығын басқару тұтқасын пайдаланыңыз. Өз даусыңызды дыбыс сілтемесі ретінде пайдалануға болады (Сурет 10).

Дыбыс берілгенде, нәресте бөлігіндегі құрылғыны қосу шамы сары болып жанады.

Ескертпе: Батареялармен жұмыс істегенде сезімталдық деңгейі ең жоғарғысына орнатылса, ата-аналар құрылғысы электр қуатын көбірек қолданады.

Реттелмелі дауыс зорайтқыштың дыбыс деңгейі

Ата-аналар бөлігінің дыбыс деңгейін өзгертуге болады, солайша сіз оны қоршаған ортаға сәйкес реттей аласыз.

1 Ата-аналар бөлігінің дауыс зорайтқышының қажетті дыбыс деңгейіне жеткенше, ата-аналар бөлігінің оң жағындағы дыбыс деңгейі тұтқасын бұраңыз.

Ескертпе: Батареялармен жұмыс істегенде ең жоғарғы дыбыс деңгейі орнатылса, ата-аналар құрылғысы электр қуатын көбірек қолданады.

Арна таңдаушы

Екі бөліктің батареялар бөлімдеріндегі арна қосқыштарының бір арнаға қойылғанына әрдайым көз жеткізіп отырыңыз. Осы арна қосқыштары арқылы он алты түрлі арна күйлерін таңдауға болады. Егер сіз басқа нәресте мониторларынан, радио құрылғыларынан және т.б. келген кедергіні байқасаңыз, басқа арнаны таңдаңыз.

1 Екі бөліктің де батарея орнының қақпақтарын ашыңыз.

► **Нәресте бөлігі: (Сурет 3)**

- Кілттейтін тұтқаны тиынмен бұрап, қақпағын шешіңіз.
- Егер ішінде батареялар бар болса, онда оларды батарея орнынан алып тастаңыз.
- Арна қосқышын қажетті күйге қою үшін кішкентай, жалпақ бұрағышты пайдаланыңыз.

► **Ата-аналар бөлігі: (Сурет 4)**

- Кілттейтін тұтқаны бір ширек айналымға бұрап (1), батарея жапқышын ашу үшін оны төмен сырғытыңыз (2).
- Егер ішінде батареялар бар болса, онда оларды батарея орнынан алып тастаңыз.
- Арна қосқышын қажетті күйге қою үшін кішкентай, жалпақ бұрағышты пайдаланыңыз.

Ескертпе: Құрылғылардың екеуінің де бір арнаға қойылғанына көз жеткізіңіз.

Егер сіз байланысты тексеру кезінде ешқандай кедергіге кездеспесеңіз, нәресте және ата-аналар бөліктерінің батареялар бөлімдерін жабыңыз.

Егер сіз кедергіге кездессеңіз, қосқышты басқа арнаға қойып, байланысты қайтадан тексеріңіз.

Егер құрылғылар қайта зарядталмайтын батареялармен істеп тұрса, батареяларды ауыстырып, батареялар бөлімдерін жабыңыз.

Тазалау және техникалық қызмет көрсету

Нәресте және ата ана бөліктерін ешқашан суға батырмаңыз және оларды ағын су астында тазаламаңыз.

Тазалағыш спрей немесе сұйықтықтарды қолданбаңыз.

- Егер нәресте бөлігі мен ата-аналар бөлігі ток көзіне қосұлы болса, онда оларды ток көзінен суырыңыз.
- Нәресте және ата-аналар бөліктерінің екеуін де дымқыл шүберекпен сүртіп тазалаңыз.

Бөліктерді ток көзіне қосар алдында олардың құрғақ екендігін тексеріңіз.

- Адаптерды құрғақ шүберекпен тазалаңыз.

Сақтау

Егер сіз нәресте мониторын біраз уақыт пайдаланбайтын болсаңыз, қайта зарядталмайтын батареяларды нәресте бөлігі мен ата-аналар бөлігінен шығарып алыңыз. Нәресте бөлігін, ата-аналар бөлігін және адаптерлерді салқын әрі құрғақ жерде сақтаңыз.

Алмастыру

Нәресте бөлігі

Батареялар

Нәресте бөлігіндегі қайта зарядталмайтын батареяларын тек төрт қайта зарядталмайтын 1.5V R6 AA батареяларымен ғана алмастырыңыз.

Ескертпе: Біз сізге тек Philips қайта зарядталмайтын батареяларын ғана қолданыңыз деп қатаң кеңес береміз.

Адаптер

Нәресте бөлігінің адаптерін түпнұсқа түріндегі адаптермен ғана алмастырыңыз. Жаңа адаптерді делдалдан немесе Philips қызмет көрсету орталығынан тапсырыс беру арқылы алуыңызға болады.

- SBC CS0920/00W (Тек ЕО/СГП елдеріне арналған)
- SBC CS0920/05W (Тек ҰБ еліне арналған)
- 9V200 (тек АУ/НЗ)

Ата-аналар бөлігі

Батареялар

Ата-аналар бөлігінің қайта зарядталмайтын батареяларын төрт қайта зарядталмайтын 1,5 вольтті R6 AA батареяларымен ғана алмастырыңыз.

Ескертпе: Біз сізге тек Philips қайта зарядталмайтын батареяларын ғана қолданыңыз деп қатаң кеңес береміз.

Адаптер

Ата-аналар бөлігінің адаптерін түпнұсқа түріндегі адаптермен ғана алмастырыңыз. Жаңа адаптерді делдалдан немесе Philips қызмет көрсету орталығынан тапсырыс беру арқылы алуыңызға болады.

- SBC CS0920/00W (Тек ЕО/СГП елдеріне арналған)
- SBC CS0920/05W (Тек ҰБ еліне арналған)
- 9V200 (тек АУ/НЗ)

Қоршаған орта

- Құрылғыны өз қызметін көрсетіп тозғаннан кейін, күнделікті үй қоқысымен бірге тастауға болмайды. Оның орнына бұл құрылғыны арнайы жинап алатын жерге қайта өңдеу мақсатына өткізіңіз. Сонда сіз қоршаған ортаны қорғауға себіңізді тигізесіз (Сурет 11).
- Батарея құрамында қоршаған айналаға тигізер зиянды заттар бар. Бос батареяны күнделікті үй қоқысымен бірге тастауға болмайды. Батареяны арнайы батареялар жинайтын орынға өткізіңіз. Құралды тастар немесе арнайы жинап алатын орынға берер алдында батареяны алып тастаңыз. (Сурет 12)

Кепілдік және қызмет

Егер көмек не ақпарат алғыңыз келсе немесе сізде шешілмеген мәселе болса, **www.philips.com/AVENT** мекенжайы бойынша Philips AVENT веб-сайтына кіріңіз немесе еліңіздегі Philips тұтынушылар орталығына телефон шалсаңыз болады (ол нөмірді дүние жүзі бойынша берілетін кепілдік кітапшасынан алуға болады). Еліңізде тұтынушылар орталығы болмаса, жергілікті Philips дилеріне хабарласыңыз.

Жиі қойылатын сұрақтар

Бұл тармақта құрал туралы жиі қойылатын сұрақтар тізімі берілген. Егер сіз өз сұрағыңызға жауапты таппасаңыз, еліңіздегі Тұтынушылар Қызмет Орталығымен байланысыңыз.

Сұрақ	Жауап
Неліктен қуатқа қосылуы деген жарық жанбайды?	Мүмкін құрылғы ашасы құрылғының ұясына дұрыс кіргізілмеген болар немесе адаптер қабырғадағы розеткаға дұрыс қосылмаған болар.
	Сондай-ақ, сіз құрылғыларды қосуды ұмытып кеткен боларсыз. Нәресте бөлігіндегі қосу/өшіру түймесін басып, құрылғыларды қосу үшін ата-аналар бөлігіндегі дыбыс деңгейі тұтқасын бұраңыз.
	Егер сіз құрылғыларды батареялармен қоссаңыз, батареялардың заряды азаюы мүмкін. Мұндай жағдайда батареяларды ауыстырыңыз.
Неліктен құрылғыны қосу шамы қызыл болып жанады?	Сіз құрылғыларды батареялармен жұмыс жасатып жатырсыз, сондықтан батареялардың заряды азайған. Батареяларды ауыстырыңыз.
Неліктен ата-аналар бөлігі қатты шуыл шығарады?	Құрылғылар бір-біріне тым жақын орналасқан. Ата-аналар бөлігін нәресте бөлігінен кемінде 1 метр/3 фут қашық қойыңыз. Егер бұл көмектеспесе, онда дыбыс деңгейі тым жоғары. Дыбыс деңгейін төмен деңгейге қойыңыз.
Неліктен ата-аналар бөлігінен ешқандай дыбыс шықпайды?	Дауыс деңгейі жеткілікті жоғары деңгейде екендігін тексеріңіз. Егер дауыс деңгейі тым төмен болса, онда оны жоғарырақ деңгейге қойыңыз. Сонымен бірге нәресте бөлігіндегі микрофон сезімталдығын тексеріңіз.
Неліктен байланыс шамы қызыл болып жыпылықтайды?	Байланыс болмағандықтан, ол қызыл болып жыпылықтайды. Ата-аналар бөлігінің нәресте бөлігінің ауқымынан тыс болуы мүмкін немесе нәресте бөлігінен басқа арнаға қойылуы мүмкін. Ата-аналар бөлігі мен нәресте бөлігінің бір арнаға қойылғанын тексеріңіз. Егер қойылса, ата-аналар бөлігін басқа жерге, нәресте бөлігіне жақынырақ қойыңыз.
Неліктен ата-аналар бөлігі телеметрлік дыбысын шығарады?	Сіз байланыс дабылын естіп тұрсыз. Ол нәресте және ата-аналар бөліктерінің арасында байланыстың жоқтығын көрсетеді. Ата-аналар бөлігінің нәресте бөлігінің ауқымынан тыс болуы мүмкін немесе нәресте бөлігінен басқа арнаға қойылуы мүмкін. Ата-аналар бөлігі мен нәресте бөлігінің бір арнаға қойылғанын тексеріңіз. Егер қойылса, ата-аналар бөлігін басқа жерге, нәресте бөлігіне жақынырақ қойыңыз.
Неліктен ата-аналар бөлігі нәресте дыбыстарын тым жәй сезінеді?	Нәресте бөлігіндегі микрофон сезімталдығын жоғарырақ деңгейге орнатыңыз немесе/және нәресте бөлігін нәрестеге жақынырақ қойыңыз. Нәресте бөлігі нәрестеден ең кем дегенде 1 метр/3 фут қашықтықта болуы тиіс.

Сұрақ	Жауап
<p>Неліктен ата аналар бөлігі нәресте дыбыстарын тым жылдам сезінеді?</p>	<p>Нәресте бөлігіндегі микрофон сезімталдығын төменірек деңгейге орнатыңыз немесе/және нәресте бөлігін нәрестеге жақынырақ қойыңыз.</p>
<p>Неліктен байланыс қайта қайта үзіліп қалады?</p>	<p>Ата-аналар бөлігі жұмыс аумағы шекарасына жақын тұрған болар. Ата-аналар бөлігін нәресте бөлігіне жақынырақ сигналды жақсы қабылдайтын жерге қойыңыз. Құрылғылардың біреуін немесе екеуін қозғалтқанда, байланыс қайта орнатылғанша, шамамен 30 секунд кететінін ескеріңіз.</p>
<p>Неліктен ата аналар бөлігінде кедергілер пайда болады?</p>	<p>Ата-аналар бөлігі нәресте бөлігі ауқымынан тыс болғанда, кедергі орын алуы мүмкін. Сондай-ақ, ата-аналар бөлігі терезеге тым жақын болып, сол терезеден кедергі келтіретін сигналдарды қабылдауы мүмкін. Ата-аналар бөлігін терезеден алысырақ қойыңыз.</p>
<p>Неліктен нәресте бақылаушысы басқа нәресте бақылаушылардан сигналдарды ұстайды?</p>	<p>Ата-аналар бөлігі мен нәресте бөлігінің арасында көп қабырға немесе үй төбесі болған жағдайда да кедергі орын алады. Ата-аналар бөлігін басқа жерге, нәресте бөлігіне жақынырақ қойыңыз. Сондай-ақ, құрылғылардың ұялы немесе сымсыз телефондардан, радиолардан немесе теледидарлардан алыс тұрғанына көз жеткізіңіз.</p>
<p>Неліктен нәресте бақылаушысы басқа нәресте бақылаушылардан сигналдарды ұстайды?</p>	<p>Сіздің нәресте бақылаушыңыз көршілес нәресте бақылаушының орнатылған каналында болып тұр. Канал таңдауышпен екі бөліктің екеуін де басқа каналға орнатыңыз.</p>
<p>Неліктен нәресте мониторы көрсетілген 200 метр аумағында жұмыс істемейді?</p>	<p>Көрсетілген 200 метр аумағы далаға ғана жарамды. Үй ішінде жұмыс аумағы екі құрылғының арасындағы қабырғалардың және/немесе үй төбелерінің саны мен түрі бойынша шектеледі. Аймақты оңтайландыру үшін құрылғының біреуінің немесе екеуінің орнын өзгертіңіз.</p>
<p>Ток қуаты болмай қалғанда не болады?</p>	<p>Егер құрылғыларды батареяларды салмай, ток көзіне қосып пайдалансаңыз, электр тогы сөнген жағдайда байланыс жоғалады. Егер екі құрылғыда да батареялар болса, олар электр тогы сөнген жағдайда автоматты түрде батареялар қуатына ауысады да, байланыс үзілмейді.</p>

Įvadas

Sveikiname Jus įsigijus mūsų gaminį, ir sveiki atvykę į „Philips AVENT“! Kad galėtumėte pasinaudoti visa „Philips AVENT“ siūloma pagalba, užregistruokite gaminį adresu www.philips.com/welcome. „Philips AVENT“ siekia tiekti patikimus gaminius, teikiančius tėvams tokią ramybę, kokios jiems reikia. Su šiuo „Philips AVENT“ kūdikio stebėjimo siūstuvu savo kūdikį galite girdėti iš bet kurios savo namų vietos. Šešioliką skirtingų kanalo pasirinkčių garantuoja minimalius trikdžius ir saugų priėmimą bei užtikrina nuolatinį kontaktą su kūdikiu.

Bendras aprašymas (Pav. 1)**A Kūdikio įrenginys**

- 1 Mikrofonas
- 2 Lizdas mažam kištukui
- 3 Įjungimo / išjungimo mygtukas
- 4 Įjungimo lemputė
- 5 Mikrofono jautrio reguliatorius
- 6 Kanalų reguliatorius
- 7 Adapteris
- 8 Mažas kištukas
- 9 Maitinimo elementų skyriaus dangtelis

B Tėvų įrenginys

- 1 Adapteris
- 2 Mažas kištukas
- 3 Įjungimo lemputė
- 4 Garsiakalbis
- 5 Ryšio lemputė
- 6 Garsumo reguliatorius su įjungimo/išjungimo funkcija
- 7 Ryšio įspėjimo jungiklis
- 8 Maitinimo elementų skyriaus dangtelis
- 9 Kanalų reguliatorius

Svarbu

Prieš pradėdami naudotis prietaisu, atidžiai perskaitykite šią instrukciją ir saugokite ją, nes jos gali prireikti ateityje.

Pavojus!

- Kūdikio stebėjimo siūstuvu niekada nemerkite į vandenį ar kitą skystį.

Perspėjimas

- Prieš įjungdami prietaisą, patikrinkite, ar įtampa, nurodyta ant kūdikio ir tėvų įrenginių, sutampa su vietinio elektros tinklo įtampa.
- Jungdami kūdikio ir tėvų įrenginius į maitinimo tinklą, naudokite tik pateiktus adapterius.
- Adapteriuose yra transformatoriaus. Draudžiama nupjauti adapterius ir pakeisti juos kitais kištukais, nes tai kelia pavojų.
- Jeigu adapteriai pažeisti, norėdami išvengti pavojaus užtikrinkite, kad jie visada būtų pakeisti originalaus tipo adapteriais. Kad sužinotumėte tinkamą tipą, žr. skyrelį „Keitimas“.
- Nenaudokite kūdikio stebėjimo siūstuvo drėgnose vietose ir arti vandens.
- Neatidarykite „kūdikio įrenginio“ ar „tėvų įrenginio“ (išskyrus maitinimo elementų skyrių). Taip išvengsite elektros smūgio.
- Šis prietaisas neskirtas naudoti asmenims (įskaitant vaikus) su ribotomis fizinėmis, sensorinėmis ar psichinėmis galimybėmis arba asmenims, neturintiems pakankamai patirties ir žinių, nebent juos prižiūri arba naudotis prietaisu apmoko už jų saugą atsakingas asmuo.
- Prižiūrėkite vaikus, kad jie nežaistų su prietaisu.

- Kūdikio stebėjimo siųstuvo veikimo diapazonas yra 200 metrų / 600 pėdų atviroje erdvėje. Atsižvelgiant į aplinką ir kitus trukdžius šis atstumas gali būti mažesnis (žr. skyrelį „Veikimo diapazonas“ skyriuje „Prietaiso naudojimas“).

Ispėjimas

- Prietaisą naudokite ir laikykite 10–40 °C temperatūroje.
- Kūdikio ir tėvų įrenginių nelaikykite pemelyg šaltoje ar karštoje vietoje, taip pat tiesioginėje saulės šviesoje.
- Pasirūpinkite, kad kūdikis negalėtų pasiekti kūdikio įrenginio ir jo adapterio laido (šie turi būti ne mažesniu kaip 1 metro / 3 pėdų atstumu nuo kūdikio).
- Jokiu būdu nedėkite „kūdikio įrenginio“ į vaiko lovelę ar krepšį.
- Niekada neuždenkite tėvų įrenginio ir kūdikio įrenginio (pvz., rankšluosčiu ar antklode).
- Kūdikio ir tėvų stebėjimo siųstuvui visada naudokite tinkamo tipo vienkartinio naudojimo maitinimo elementus.

Bendrasis aprašas

- Šis kūdikio stebėjimo siųstuvus sukurtas kaip pagalbinė priemonė. Tai nėra atsakingos ir tinkamos suaugusiųjų atliekamos priežiūros pakaitalas ir neturėtų būti taip naudojamas.

Elektromagnetiniai laukai (EML)

Šis „Philips AVENT“ prietaisas atitinka visus elektromagnetinių laukų (EMF) standartus. Eksploatuojant prietaisą tinkamai, vadovaujantis šiaame vartotojo vadove pateikiamais nurodymais, remiantis šiais dienais prieinamais moksliniais įrodymais šis prietaisas yra saugus naudoti.

Paruošimas naudoti

Kūdikio įrenginys

Kūdikio įrenginiu galite naudotis prijungę jį prie elektros tinklo arba su maitinimo elementais. Net jei naudojate įrenginių prijungę prie elektros tinklo, patariame įdėti vienkartinio naudojimo maitinimo elementus. Tai užtikrins nepertraukiamą prietaiso maitinimą sutrikus elektros tinklui.

Naudojimas įjungus į tinklą

- 1** Įkiškite prietaiso kištuką į kūdikio įrenginį, o adapterį – į sieninį el. lizdą (Pav. 2). Pradeda šviesti raudona įjungimo lemputė.

Veikia su vienkartinio naudojimo maitinimo elementais.

Kūdikio įrenginys maitinamas keturiais 1,5V R6 AA tipo maitinimo elementais (įsigijami atskirai). Primygtinai rekomenduojame naudoti „Philips LR6 PowerLife“ maitinimo elementus. Nenaudokite pakartotinai įkraunamų maitinimo elementų, nes kūdikio įrenginyje nėra įkrovimo funkcijos.

Ištraukite kūdikio įrenginio kištuką iš el. lizdo ir, prieš dėdami vienkartinio naudojimo maitinimo elementus, įsitikinkite, kad jūsų rankos ir įrenginys yra sausi.

- 1** Atlaisvinkite maitinimo elementų skyriaus dangtelį moneta pasukdami fiksavimo rankenėlę. Tada nuimkite dangtelį (Pav. 3).

- 2** Įdėkite keturis vienkartinio naudojimo maitinimo elementus. Įsitikinkite, kad maitinimo elementų „+“ ir „-“ poliai orientuoti reikiamomis kryptimis.

- 3** Vėl uždėkite maitinimo elementų skyrelio dangtelį ir jį uždarykite, pasukdami fiksavimo rankenėlę moneta.

Elementams išsikrovus, žybsi raudona maitinimo lemputė ant „kūdikio įrenginio“.

Tėvų įrenginys

Tėvų įrenginiu galite naudotis prijungę jį prie elektros tinklo arba su maitinimo elementais. Net jei naudojate įrenginį prijungę prie elektros tinklo, patariame įdėti vienkartinio naudojimo maitinimo elementus. Tai užtikrins nepertraukiamą prietaiso maitinimą sutrikus elektros tinklui.

Naudojimas įjungus į tinklą

1 Įkiškite prietaiso kištuką į tėvų įrenginį, o adapterį – į sieninį el. lizdą. Pradeda šviesti raudona įjungimo lemputė.

Veikia su vienkartinio naudojimo maitinimo elementais.

Tėvų įrenginys maitinamas keturiais 1,5 V R6 AA tipo maitinimo elementais (įsigijami atskirai). Primitytinai rekomenduojame naudoti „Philips LR6 PowerLife“ maitinimo elementus. Nenaudokite pakartotinai įkraunamų maitinimo elementų, nes „tėvų įrenginyje“ nėra įkrovimo funkcijos.

Ištraukite tėvų įrenginio kištuką iš el. lizdo ir, prieš dėdami vienkartinio naudojimo maitinimo elementus, įsitikinkite, kad jūsų rankos ir įrenginys yra sausi.

1 Pasukite fiksavimo rankenėlę 90 laipsnių kampų (1) ir paslinkite maitinimo elementų dangtelį žemyn, kad jį nuimtumėte (2) (Pav. 4).

2 Įdėkite keturis vienkartinio naudojimo maitinimo elementus. Įsitikinkite, kad maitinimo elementų „+“ ir „-“ poliai orientuoti reikiamomis kryptimis.

3 Vėl uždėkite maitinimo elementų skyriaus dangtelį.

Pastaba: Elementams beveik išsikrovus, žybsi raudona maitinimo lemputė ant „tėvų įrenginio“.

Pastaba: Jei maitinimo elementai yra visiškai išseikvoti, „tėvų įrenginys“ automatiškai išsijungia ir praranda ryšį su „kūdikio įrenginiu“.

Prietaiso naudojimas

1 Norėdami patikrinti ryšį, abu įrenginius padėkite tame pačiame kambaryje (Pav. 5). Įsitikinkite, kad kūdikio įrenginys yra bent 1 metro / 3 pėdų atstumu nuo tėvų įrenginio.

2 „Kūdikio įrenginiui“ įjungti paspauskite įjungimo/išjungimo mygtuką (Pav. 6). Įjungimo lemputė nuolat šviečia žaliai.

3 Pasukite garsumo reguliatorių „tėvų įrenginiui“ įjungti ir reikiamam garsumo lygiui nustatyti. (Pav. 7)
Įjungimo lemputė nuolat šviečia žaliai.

➤ Atsiradus ryšiui tarp įrenginių, ant „tėvų įrenginio“ esanti ryšio lemputė pradeda šviesti žaliai.

Pastaba: Ryšys atsiranda maždaug po 30 sekundžių.

Pastaba: Jei nėra ryšio, „tėvų įrenginio“ ryšio lemputė mirksi raudonai.

4 Kūdikio įrenginį padėkite bent 1 metro / 3 pėdų atstumu nuo savo kūdikio (Pav. 8).

5 „Tėvų įrenginį“ padėkite „kūdikio įrenginio“ veikimo diapazono srityje. Įsitikinkite, kad jis yra bent 1 metro / 3 pėdų atstumu nuo „kūdikio įrenginio“. Daugiau apie veikimo diapazoną žr. skirsnyje „Veikimo diapazonas“ (Pav. 9).

Veikimo diapazonas

Kūdikio stebėjimo siųstuvo veikimo diapazonas yra 200 metrų / 600 pėdų atviroje erdvėje. Dėl aplinkos sąlygų ir įvairių trukdančių veiksnių veikimo diapazonas gali būti mažesnis.

Sausos medžiagos	Medžiagų storis	Diapazono sumažėjimas
Medis, tinkas, kartonas, stiklas (be metalo, laidų ar švino)	< 30 cm / 12 col.	0–10%
Mūras, fanera	< 30 cm / 12 col.	5–35%
Gelžbetonis	< 30 cm / 12 col.	30–100%
Metalinės grotelės ar strypai	< 1 cm / 0,4 col.	90–100%
Metalo ar aliuminio lakštai	< 1 cm / 0,4 col.	100%

Jei medžiagos drėgnos ar šlapios, gali būti prarasta iki 100% diapazono.

Funkcijos

Skaitmeninio signalo patvirtinimas

„Tėvų įrenginyje“ yra ryšio lemputė, kuri nuolat rodo ryšio būseną tarp kūdikio ir tėvų įrenginių. „Tėvų įrenginyje“ galite nustatyti įspėjimo signalą, kuris praneš, jei ryšys nutrūks. Nutrūkus ryšiui, skambės garsinis įspėjimo pypsėjimas ir ryšio lemputė švies raudonai.

Aktyvuokite įspėjimo signalą „tėvų įrenginyje“:

- 1 Pasukite fiksavimo rankenėlę 90 laipsnių kampą (1) ir paslinkite maitinimo elementų dangtelį žemyn, kad jį nuimtumėte (2) (Pav. 4).
- 2 Maitinimo elementų skyriuje esantį ryšio įspėjimo jungiklį nustatykite į padėtį „įjungta“.
- 3 Vėl uždėkite maitinimo elementų skyriaus dangtelį. Norėdami išjungti įspėjimo signalą, ryšio įspėjimo jungiklį nustatykite į padėtį „išjungta“.

Reguliuojamas garso jautris

Naudodami „kūdikio įrenginio“ mikrofono jautrio reguliatorių, galite nustatyti garsą, kurį „kūdikio įrenginys“ fiksuoja pageidaujamu lygiu: žemu, vidutiniu ir aukštu. Nustatytas „aukštam“ mikrofono jautriui, „kūdikio įrenginys“ fiksuoja visus garsus.

Pastaba: „Kūdikio įrenginio“ jautris gali būti pakeistas tik tuomet, kai tarp kūdikio įrenginio ir „tėvų įrenginio“ yra ryšys.

- 1 Mikrofono jautrio reguliatorių naudokite „kūdikio įrenginio“ reikiamo lygio mikrofono jautriui nustatyti. Kaip garso pavyzdį galite naudoti savo paties balsą (Pav. 10). Kai garsas siunčiamas, „kūdikio įrenginio“ įjungimo lemputė pradeda šviesti geltonai.

Pastaba: Jei „tėvų įrenginys“ veikia su maitinimo elementais ir jautrumas nustatytas į didelį lygį, jis naudos daugiau energijos.

Garsiakalbio garsumas reguliuojamas

„Tėvų įrenginyje“ galite keisti garsumą, kad pritaikytumėte prie savo aplinkos.

- 1 Pasukite garso reguliavimo diską dešinėje pusėje tiek, kad pasiektumėte norimą tėvų įrenginio garsiakalbio garsumą.

Pastaba: Jei „tėvų įrenginys“ veikia su maitinimo elementais ir garsumas nustatytas į didelį lygį, jis naudos daugiau energijos.

Kanalų reguliatorius

Visada įsitikinkite, kad abiejų įrenginių maitinimo elementų skyrių viduje esantys kanalų reguliatoriai nustatyti veikti tuo pačiu kanalu. Šiais kanalų reguliatoriais galite pasirinkti šešiolika skirtingų kanalų

padėčių. Jei yra trikdžių iš kitų kūdikio stebėjimo siūstuvų, radijo prietaisų ir pan., pasirinkite kitą kanalą.

1 Atidarykite abiejų įrenginių maitinimo elementų skyrių dangtelius.

▶ Kūdikio įrenginys: (Pav. 3)

- Moneta pasukite fiksavimo rankenėlę ir nuimkite dangtelį.
- Jei yra, iš maitinimo elementų skyriaus išimkite elementus.
- Norimai kanalų regulatoriaus padėčiai nustatyti naudokite mažą plokščią atsuktuvą.

▶ Tėvų įrenginys: (Pav. 4)

- Pasukite fiksavimo rankenėlę 90 laipsnių kampą (1) ir paslinkite maitinimo elementų dangtelį žemyn, kad jį nuimtumėte (2).
- Jei yra, iš maitinimo elementų skyriaus išimkite elementus.
- Norimai kanalų regulatoriaus padėčiai nustatyti naudokite mažą plokščią atsuktuvą.

Pastaba: Įsitinkinkite, kad abu įrenginiai yra nustatyti veikti tuo pačiu veikimo kanalu.

Jei bandydami ryšį nepatiriate jokių trikdžių, uždarykite kūdikio ir „tėvų įrenginių“ maitinimo elementų skyrius.

Jei trikdžių yra, regulatorių nustatykite veikti kitu kanalu ir dar kartą patikrinkite ryšį.

Jei įrenginys veikia su vienkartinio naudojimo maitinimo elementais, pakeiskite maitinimo elementus ir uždarykite maitinimo elementų skyrius.

Valymas ir priežiūra

Tėvų įrenginio arba kūdikio įrenginio nemerkite į vandenį ir nevalykite pakišę po tekančiu iš čiaupo vandeniu.

Nenaudokite purškiamų ar skystų valiklių.

- Jei kūdikio ar „tėvų įrenginys“ prijungti prie maitinimo tinklo, atjunkite juos.
- Tėvų įrenginį ir kūdikio įrenginį valykite drėgna šluoste.

Prieš jungdami įrenginius į el. tinklą įsitinkinkite, kad įrenginiai sausi.

- Adapterius valykite sausa šluoste.

Laikymas

Jei planuojate kurį laiką kūdikio stebėjimo siūstovo nenaudoti, išimkite vienkartinio naudojimo maitinimo elementus iš kūdikio ir tėvų įrenginių. „Tėvų įrenginį“, „kūdikio įrenginį“ ir adapterius laikykite sausoje vėsioje vietoje.

Pakeitimas

Kūdikio įrenginys

Maitinimo elementai

Kūdikio įrenginio vienkartinio naudojimo maitinimo elementus keiskite tik keturiais 1,5V R6 AA tipo maitinimo elementais.

Pastaba: Rekomenduojame naudoti „Philips“ vienkartinio naudojimo maitinimo elementus.

Adapteris

„Kūdikio įrenginio“ adapterį pakeiskite tik originalaus tipo adapteriu. Naują adapterį galite užsisakyti iš savo platintojo arba „Philips“ techninės priežiūros centre:

- SBC CS0920 / 00W (tik EU / SGP)
- SBC CS0920 / 05W (tik UK)
- 9VD200 (tik AU/NZ)

Tėvų įrenginys

Maitinimo elementai

Tėvų įrenginio vienkartinio naudojimo maitinimo elementus keiskite tik keturiais 1,5V R6 AA tipo maitinimo elementais.

Pastaba: Rekomenduojame naudoti „Philips“ vienkartinio naudojimo maitinimo elementus.

Adapteris

Tėvų įrenginio adapterį pakeiskite tik originalaus tipo adapteriu. Naują adapterį galite užsisakyti iš savo platintojo arba „Philips“ techninės priežiūros centre:

- SBC CS0920 / 00W (tik EU / SGP)
- SBC CS0920 / 05W (tik UK)
- 9VD200 (tik AU/NZ)

Aplinka

- Susidėvėjusio prietaiso nemeskite su įprastomis buitinėmis šiukšlėmis, o nuneškite jį į oficialų surinkimo punktą perdirbti. Taip prisidėsite prie aplinkosaugos (Pav. 11).
- Maitinimo elementuose yra aplinką teršiančių medžiagų. Neišmeskite maitinimo elementų su įprastomis buitinėmis atliekomis, o atiduokite juos į oficialų surinkimo punktą. Prieš išmesdami prietaisą ir atiduodami jį į oficialų surinkimo punktą, būtinai išimkite maitinimo elementus. (Pav. 12)

Garantija ir techninė priežiūra

Jei jums reikalinga techninė priežiūra ar informacija arba jei kilo problemų, apsilankykite „Philips AVENT“ svetainėje www.philips.com/AVENT arba kreipkitės į savo šalies „Philips“ klientų aptarnavimo centrą (jo telefono numerį rasite visame pasaulyje galiojančios garantijos lankstinuke). Jei „Philips“ klientų aptarnavimo centro jūsų šalyje nėra, kreipkitės į vietinį „Philips“ atstovą.

Dažnai užduodami klausimai

Šiame skyriuje nurodyti dažniausiai apie šį prietaisą užduodami klausimai. Jei nerasite atsakymų į jums kilusius klausimus, kreipkitės į savo šalies klientų aptarnavimo centrą.

Klausimas	Atsakymas
Kodėl įjungimo lemputė nešviečia?	Galbūt į įkroviklio lizdą netinkamai įkištas prietaiso kištukas arba į sieninį el. lizdą netinkamai įkištas adapteris. Be to, galėjote užmiršti įjungti įrenginius. Paspauskite „kūdikių įrenginio“ įjungimo / išjungimo mygtuką ir norėdami įjungti įrenginius, žemyn pasukite „tėvų įrenginio“ garsumo reguliatorių.
Kodėl įjungimo lemputė mirksi raudonai?	Jei įrenginiai veikia maitinami elementų, jie gali būti išsekę. Tokiu atveju pakeiskite elementus.
Kodėl „tėvų įrenginys“ sklaidžia didelio dažnio garsą?	Įrenginys veikia maitinamas elementų, kurie senka. Pakeiskite maitinimo elementus. Įrenginiai per arti vienas kito. Patraukite „tėvų įrenginį“ bent per 1 metrą / 3 pėdas nuo „kūdikių įrenginio“. Jei tai nepadeda, garsumas yra per didelis. Garsumo reguliatoriumi sumažinkite garsumą.

Klausimas	Atsakymas
Kodėl nėra jokio garso „tėvų įrenginyje“?	Patikrinkite, ar nustatytas pakankamas garsumas. Jei garsumas yra per mažas, jį padidinkite garsumo regulatoriumi. Patikrinkite ir „kūdikio įrenginio“ mikrofono jautrį.
Kodėl ryšio lemputė mirksi raudonai?	Ji mirksi raudonai, nes nėra ryšio. „Tėvų įrenginys“ gali nebūti „kūdikio įrenginio“ veikimo srityje arba būti nustatytas veikti skirtingu kanalu. Patikrinkite, ar „tėvų įrenginys“ ir kūdikio įrenginys yra nustatyti veikti tuo pačiu kanalu. Jei taip, „tėvų įrenginį“ pastatykite kitoje vietoje, arčiau „kūdikio įrenginio“.
Kodėl pypsi tėvų įrenginys?	Jūs girdite ryšio įspėjimą. Jis rodo, kad nėra ryšio tarp kūdikio ir tėvų įrenginių. „Tėvų įrenginys“ gali nebūti „kūdikio įrenginio“ veikimo srityje arba būti nustatytas veikti skirtingu kanalu. Patikrinkite, ar tėvų ir kūdikio įrenginys yra nustatyti veikti tuo pačiu kanalu. Jei taip, tėvų įrenginį pastatykite kitoje vietoje, arčiau „kūdikio įrenginio“.
Kodėl į kūdikio skleidžiamus garsus „tėvų įrenginys“ reagoja per lėtai?	Padidinkite „kūdikio įrenginio“ mikrofono jautrį ir/arba „kūdikio įrenginį“ padėkite arčiau kūdikio. Įsitikinkite, kad „kūdikio įrenginys“ nuo kūdikio yra toliau nei per 1 metrą / 3 pėdas.
Kodėl „tėvų įrenginys“ per greitai reagoja į pašalinius garsus?	Sumažinkite „kūdikio įrenginio“ mikrofono jautrį ir/arba „kūdikio įrenginį“ padėkite arčiau kūdikio.
Kodėl vis dingsta ryšys?	Tikriausiai „tėvų įrenginys“ yra per daug arti veikimo diapazono ribų. „Tėvų įrenginį“ padėkite arčiau kūdikio įrenginio, kur būtų geresnis priėmimas. Atminkite, kad pajudinus vieną ar abu įrenginius ryšiui atkurti reikia apie 30 sekundžių.
Kodėl tėvų įrenginys patiria trikdžius?	Trikdžius galite patirti, kai „tėvų įrenginys“ yra ne „kūdikio įrenginio“ veikimo srityje. Be to, „tėvų įrenginys“ gali būti per arti lango, pro kurį gali patekti trukdantys signalai. „Tėvų įrenginį“ patraukite nuo lango. Trikdžiai taip pat patiriami, jei tarp „tėvų įrenginio“ ir „kūdikio įrenginio“ yra per daug sienų ar perdangų. „Tėvų įrenginį“ padėkite kitoje vietoje, arčiau „kūdikio įrenginio“. Įsitikinkite, kad įrenginiai yra pakankamai toli nuo mobiliųjų ar belaidžių telefonų, radijo ar televizijos imtuvų.
Kodėl tėvų įrenginys priima signalus iš kito kūdikio stebėjimo siųstuvo?	Kūdikio stebėjimo siųstuvus veikia tuo pačiu kanalu kaip ir netoliese esantis kitas kūdikio stebėjimo siųstuvus. Naudodami kanalų regulatorių nustatykite, kad abu įrenginiai veiktų skirtingais kanalais.
Kodėl „kūdikio įrenginys“ neveikia nurodytu 200 m atstumu?	Nurodytas 200 metrų diapazonas galioja tik atviroje erdvėje. Namuose diapazoną riboja tarp abiejų įrenginių esančių sienų ir/arba lubų skaičius ir tipas. Optimizuokite diapazoną pakeisdami vieno ar abiejų įrenginių vietą.
Kas nutinka dingus elektrai maitinimo tinkle?	Jei įrenginius naudojate prijungę prie tinklo ir neįdėję maitinimo elementų, dingus elektrai ryšys dings. Jei abiejuose įrenginiuose įstatyti maitinimo elementai, dingus elektrai tinkle įrenginiai automatiškai persijungs į elementų tiekiamą maitinimą, ir ryšys nebus prarastas.

Ievads

Apsveicam ar pirkumu un laipni lūdzam Philips AVENT! Lai pilnībā gūtu labumu no Philips AVENT piedāvātā atbalsta, reģistrējiet savu izstrādājumu www.philips.com/welcome.

Philips AVENT ir pievērsies uzticamu kopšanas izstrādājumu ražošanai, lai sniegtu vecākiem tik nepieciešamo atbalstu. Šis Philips AVENT mazuļa uzraugs ļauj jums dzirdēt savu mazuli no visām vietām savā mājā un ap to. Sešpadsmit dažādu kanālu iespējas nodrošina minimālus traucējumus un drošu uztveri, ļaujot jums uzturēt nepārtrauktu kontaktu ar savu mazuli.

Vispārējs apraksts (Zīm. 1)

A Mazuļa ierīce

- 1 Mikrofons
- 2 Mazās kontaktdakšas kontaktlīdzda
- 3 Ieslēgšanas/izslēgšanas poga
- 4 Ieslēgts indikators
- 5 Mikrofona jutīguma vadība
- 6 Kanāla izvēlne
- 7 Adapteris
- 8 Mazā kontaktdakša
- 9 Bateriju nodalījuma vāciņš

B Vecāku ierīce

- 1 Adapteris
- 2 Mazā kontaktdakša
- 3 Ieslēgts indikators
- 4 Skaļrunis
- 5 Savienojuma gaismiņa
- 6 Skaļuma regulators ar ieslēgšanas/izslēgšanas funkciju
- 7 Savienojuma trauksmes slēdzis
- 8 Bateriju nodalījuma vāciņš
- 9 Kanāla izvēlne

Svarīgi

Pirms ierīces lietošanas uzmanīgi izlasiet šo lietošanas pamācību un saglabājiet to, lai vajadzības gadījumā varētu ieskatīties tajā arī turpmāk.

Briesmas

- Nekad neiegremdējiet mazuļa uzraugu ūdenī vai kādā citā šķidrumā.

Brīdinājums

- Pirms ierīces pievienošanas elektrotīklam, pārbaudiet, vai uz mazuļa ierīces un vecāku ierīces adapteriem norādītais spriegums atbilst elektrotīkla spriegumam jūsu mājā.
- Lai mazuļa ierīci un vecāku ierīci pieslēgtu elektrībai, izmantojiet tikai komplektā esošus adapterus.
- Adapteri iekļauj transformatoru. Nenogrieziet adapterus, lai tos aizvietotu ar citām kontaktdakšām, jo tas var radīt bīstamas situācijas.
- Ja adapteri ir bojāti, vienmēr tos nomainiet pret oriģināliem, lai izvairītos no briesmām. Lai iegūtu informāciju par pareiza veida adapteriem, skatiet nodaļu 'Nomaīņa'.
- Nekad neizmantojiet zīdaiņu uzraugu mitrās vietās vai blakus ūdenim.
- Neatveriet mazuļa ierīces vai vecāku ierīces korpusu, lai izvairītos no elektriskā strāvas trieciena; tas neattiecas uz bateriju nodalījumu.
- Šo ierīci nevar izmantot personas (tai skaitā bērni) ar fiziskiem, maņu vai garīgiem traucējumiem vai ar nepietiekamu pieredzi un zināšanām, kamēr par viņu drošību atbildīgā persona nav īpaši viņus apmācījusi izmantot šo ierīci.
- Jānodrošina, lai ar ierīci nevarētu rēķināties mazi bērni.

- Mazuļa uzraugs darbojas 200 metru/600 pēdu diapazonā bez šķēršļiem. Tomēr, atkarībā no apkārtnes un cietiem traucējošiem faktoriem, darbības diapazons var būt mazāks (skatiet sadaļu 'Darbības diapazons' nodaļā 'Ierīces lietošana'.

levērbai

- Uzglabājiet iekārtu no 10°C līdz 40°C temperatūrā.
- Nepakļaujiet mazuļa ierīci un vecāku ierīci lielam aukstumam, karstumam vai tiešai saules staru iedarbībai.
- Pārliedzieties, ka mazulis neaizsniedz ne mazuļa ierīci, ne tās adaptera vadu (ierīce atrodas vismaz 1 metra/3 pēdu attālumā).
- Nekad nenovietojiet mazuļa ierīci zīdaiņa gultiņā vai sētiņā.
- Nekad ne ar ko neapklājiet vecāku un mazuļa ierīci (piem., dvieli vai segu).
- Lai izvairītos no sprādziena riska, vienmēr mazuļa ierīcē un vecāku ierīcē ievietojiet atbilstošas vienreizējās lietošanas baterijas.

Vispārīgi

- Šis zīdaiņu uzraugs ir tikai palīgīdzeklis. Tas neaizvieto atbildīgu un atbilstošu vecāku uzraudzību un nav izmantojams kā tāds.

Elektromagnētiskie Lauki (EMF)

Šī Philips AVENT ierīce atbilst visiem standartiem saistībā ar elektromagnētiskiem laukiem (EMF). Ja rīkojaties atbilstoši un saskaņā ar instrukcijām šajā rokasgrāmatā, ierīce ir droši izmantojama saskaņā ar mūsdienās pieejamajiem zinātniskiem datiem.

Sagatavošana lietošanai

Mazuļa ierīce

Jūs varat izmantot mazuļa ierīci ar parastām baterijām vai pieslēgtu elektrotīklam. Pat ja grasāties izmantot ierīci tikai ar elektrību, iesakām ievietot parastas baterijas. Tas nodrošina automātisku barošanas padevi elektrotīkla kļūmes dēļ.

Ierīces izmantošana, pieslēdzot to elektrotīklam

- 1 Ievietojiet ierīces kontaktdakšu mazuļa ierīcē, un tad ievietojiet adapteri sienas kontaktligzdā (Zīm. 2). Iedegas barošanas gaismīņa.

Darbība par parastām baterijām

Mazuļa ierīce darbojas ar četrām 1,5V R6 AA baterijām (nav iekļautas komplektā). Mēs jums iesakām izmantot Philips LR6 PowerLife baterijas. Nelietojiet no jauna uzlādējamās baterijas, tā kā mazuļa ierīcei nav uzlādēšanas funkcijas.

Kad ievietojat no jauna neuzlādējamās baterijas, atslēdziet mazuļa ierīci un pārliedzieties, ka Jūsu rokas un ierīce ir sausas.

- 1 Atveriet bateriju nodalījuma vāciņu, pagriežot noslēdzošo pogu ar monētu. Tad izņemiet vāciņu (Zīm. 3).

- 2 Ievietojiet četras vienreizējās lietošanas baterijas.

Pārliedzieties, ka + un – bateriju poli tiek ievietoti pareizā virzienā.

- 3 Uzlieciet bateriju nodalījuma vāciņu un aizveriet to, pagriežot noslēdzošo pogu ar monētu.

Kad baterijas ir gandrīz tukšas, barošanas gaismīņa uz mazuļa ierīces mirgo sarkanā krāsā.

Vecāku ierīce

Jūs varat izmantot vecāku ierīci pieslēgtu elektrotīklam vai ar vienreizējās lietošanas baterijām. Pat ja grasāties izmantot ierīci pieslēgtu elektrotīklam, iesakām ievietot vienreizējās lietošanas baterijas. Tas nodrošina automātisku barošanas padevi elektrotīkla kļūmes dēļ.

Ierīces izmantošana, pieslēdzot to elektrotīklam

1 Ievietojiet ierīces kontaktdakšu vecāku ierīcē, un tad ievietojiet adapteri sienas kontaktligzdā. Iedegas barošanas gaismiņa.

Darbība par parastām baterijām

Vecāku ierīce darbojas ar četrām 1,5V R6 AA baterijām (nav iekļautas komplektā). Mēs jums iesakām izmantot Philips LR6 PowerLife baterijas.

Nelietojiet no jauna uzlādējamās baterijas, tā kā vecāku ierīcei nav uzlādēšanas funkcijas.

Kad ievietojat vienreizējās lietošanas baterijas, atslēdziet vecāku ierīci no elektrotīkla un pārliecinieties, ka jūsu rokas un ierīce ir sausas.

1 Pagrieziet noslēdzošo pogu par ceturtdaļpagriezieni (1) un pavirziet baterijas nodalījuma vāciņu lejup, lai to izņemtu (2) (Zīm. 4).

2 Ievietojiet četras vienreizējās lietošanas baterijas. Pārliecinieties, ka + un – bateriju poli tiek ievietoti pareizā virzienā.

3 Nomainiet bateriju nodalījuma vāciņu.

Piezīme: Kad baterijas ir gandrīz tukšas, barošanas gaismiņa uz vecāku ierīces mirgo sarkanā krāsā.

Piezīme: Ja baterijas ir pilnīgi tukšas, vecāku ierīce automātiski izslēdzas un zaudē savienojumu ar mazuļa ierīci.

Ierīces lietošana

1 Novietojiet abas ierīces vienā telpā, lai pārbaudītu savienojumu (Zīm. 5). Pārliecinieties, ka mazuļa ierīce ir vismaz 1 metra/3 pēdu attālumā no vecāku ierīces.

2 Lai ieslēgtu mazuļa ierīci, nospiediet ieslēgšanas/izslēgšanas pogu (Zīm. 6). Barošanas gaismiņa nepārtraukti deg zaļā krāsā.

3 Pagrieziet skaļuma regulatoru, lai ieslēgtu vecāku ierīci un iestatītu skaļumu līdz jums vēlamajam līmenim. (Zīm. 7)

Barošanas gaismiņa nepārtraukti deg zaļā krāsā.

4 Izveidojot savienojumu starp ierīcēm, savienojuma gaismiņa uz vecāku ierīces nepārtraukti deg zaļā krāsā.

Piezīme: Savienojuma izveidošana varētu aizņemt apmēram 30 sekundes.

Piezīme: Ja neizdevās izveidot savienojumu, savienojuma gaismiņa uz vecāku ierīces mirgo sarkanā krāsā.

4 Novietojiet mazuļa ierīci vismaz 1 metru/3 pēdas no sava mazuļa (Zīm. 8).

5 Novietojiet vecāku ierīci mazuļa ierīces darbības diapazonā. Pārliecinieties, ka tā ir vismaz 1 metra/3 pēdu attālumā no mazuļa ierīces. Lai iegūtu plašāku informāciju par darbības diapazonu, skatiet zemāk iedaļu 'Darbības diapazons' (Zīm. 9).

Darbības diapazons

Mazuļa uzrauga darbības diapazons ir 200 metri/600 pēdas atklātā vietā. Atkarībā no apkārtnes un citiem traucējošiem faktoriem šis diapazons var būt mazāks.

Sausi materiāli	Materiālu biezums	Diapazona traucējumi
Koks, gipsis, ģipškartons, stikls (bez metāla, vadiem vai svina)	< 30cm/12collas	0-10%
Kieģeļi, saplāksnis	< 30cm/12collas	5-35%

Sausi materiāli	Materiālu biezums	Diapazona traucējumi
Dzelzsbetons	< 30cm/12collas	30-100%
Metāla režģi vai stieņi	< 1cm/0,4collas	90-100%
Metāla vai alumīnija loksnes	< 1cm/0,4collas	100%

Attiecībā uz mitriem un valgiem materiāliem diapazona traucējumi var būt līdz pat 100%.

Funkcijas

Digitālā signāla apstiprinājums

Vecāku ierīcei ir savienojuma gaismiņa, kas nepārtraukti informē jūs par savienojuma statusu starp mazuļa ierīci un vecāku ierīci. Jūs varat uzstādīt trauksmes signālu uz vecāku ierīces, lai tā informētu jūs, kad savienojums ir pazudis. Kad savienojums būs pazudis, trauksmes signāls izklausīsies pēc pīkstēšanas un savienojuma gaismiņa mirgos sarkanā krāsā.

Lai aktivizētu trauksmes signālu uz vecāku ierīces:

- 1 Pagrieziet noslēdzošo pogu par ceturtdaļpagriezīenu (1) un pārvirziet baterijas nodalījuma vāciņu lejup, lai to izņemtu (2) (Zīm. 4).
- 2 Iestatiet savienojuma trauksmes signāla slēdzi bateriju nodalījumā 'on' stāvoklī.
- 3 Nomainiet bateriju nodalījuma vāciņu.

Lai izslēgtu savienojuma trauksmes signālu, iestatiet savienojuma trauksmes slēdzi 'off' stāvoklī.

Regulējams jūtības skaļums

Izmantojot mikroфона jūtīguma vadību mazuļa ierīcē, varat uzstādīt skaņu, ko uztver mazuļa ierīce, vēlamajā līmenī: zemā, vidējā vai augstā. Ja mikroфона jūtīgums ir iestatīts 'high' pozīcijā, mazuļa ierīce uztver visas skaņas.

Piezīme: Mazuļa ierīces mikroфона jūtīgumu var mainīt tikai, ja starp mazuļa ierīci un vecāku ierīci ir savienojums.

- 1 Izmantojiet mikroфона jūtīguma vadību, lai iestatītu mazuļa ierīces mikroфона jūtīgumu vēlamajā līmenī. Jūs varat izmantot savu balsi kā skaņas atsauci (Zīm. 10). Kad skaņa tiek pārraidīta, barošanas gaismiņa uz mazuļa ierīces kļūst dzeltena.

Piezīme: Darbojoties uz baterijām gadījumos, kad mikroфона jūtīgums ir iestatīts uz augstu līmeni, vecāku ierīce patērē vairāk jaudas.

Skaļruņa skaļuma koriģēšana

Jūs varat mainīt skaļumu uz vecāku ierīces, tādējādi pielāgojot to videi, kur atrodaties.

- 1 Pagrieziet skaļuma ciparripu uz labo pusi vecāku ierīcē, līdz noregulēts vēlamais vecāku ierīces skaļruņa skaļums.

Piezīme: Darbojoties uz baterijām gadījumos, kad mikroфона jūtīgums ir iestatīts uz augstu līmeni, vecāku ierīce patērē vairāk jaudas.

Kanāla izvēlne

Vienmēr pārliecinieties, ka kanāla izvēlne abu ierīču bateriju nodalījumā ir iestatīta uz viena un tā paša kanāla. Izmantojot šīs kanāla izvēlnes, varat izvēlēties sešpadsmit dažādus kanāla iestatījumus. Ja citi mazuļa uzraugi, radioaparāti utt. rada traucējumus, izvēlieties citu kanālu.

- 1 Atveriet abu ierīču bateriju nodalījumu.
- Mazuļa ierīce: (Zīm. 3)

- Pagrieziet noslēdzošo pogu ar monētu un noņemiet vāciņu.
- Izņemiet baterijas, ja tādas ir, no bateriju nodalījuma.
- Izmantojiet mazu, parastu skrūvgriezi, lai pagrieztu kanāla izvēlni vēlamajā pozīcijā.
- **Vecāku ierīce: (Zīm. 4)**
- Pagrieziet noslēdzošo pogu par ceturtdaļpagriezienu (1) un pавirziet baterijas nodalījuma vāciņu lejup, lai to izņemtu (2).
- Izņemiet baterijas, ja tādas ir, no bateriju nodalījuma.
- Izmantojiet mazu, parastu skrūvgriezi, lai pagrieztu kanāla izvēlni vēlamajā pozīcijā.

Piezīme: Pārlicinieties, ka abām ierīcēm ir iestatīts viens un tas pats kanāls.

Ja, pārbaudot savienojumu, nav nekādu traucējumu, aizveriet mazuļa ierīces un vecāku ierīces bateriju nodalījumus.

Ja ir traucējumi, iestatiet izvēlni uz citu kanālu un atkal pārbaudiet savienojumu.

Ja ierīces darbojas uz vienreizējās lietošanas baterijām, nomainiet tās un aizveriet bateriju nodalījumus.

Tīrīšana un apkope

Neiegremdējiet vecāku ierīci vai mazuļa ierīci ūdenī un nemazgājiet tās tekošā ūdenī.

Neizmantojiet tīrīšanas aerosolu vai šķidrus tīrīšanas līdzekļus.

- Atvienojiet mazuļa ierīci vai vecāku ierīci, ja tās ir pieslēgtas elektrotīklam.
- Tīriet mazuļa un vecāku ierīci ar mitru drāniņu.

Pirms ierīču pievienošanas elektrotīklam, pārlicinieties, ka tās ir sausas.

- Tīriet adapterus ar sausu drāniņu.

Uzglabāšana

Ja kādu brīdi negrasāties izmantot mazuļa uzraugu, izņemiet vienreizējās lietošanas baterijas no mazuļa ierīces un vecāku ierīces. Glabājiet mazuļa ierīci, vecāku ierīci un adapterus vēsā un sausā vietā.

Rezerves daļas

Mazuļa ierīce

Baterijas

Nomainiet neuzlādējamās baterijas mazuļa ierīcē tikai ar četrām 1,5V R6 AA baterijām.

Piezīme: Mēs jums iesakām izmantot Philips parastās baterijas.

Adapteris

Mainiet mazuļa ierīces adapteri tikai pret oriģinālu. Jūs varat pasūtīt jaunu adapteri pie sava izplatītāja vai Philips pakalpojumu centrā:

- SBC CS0920/00W (tikai EU/SGP)
- SBC CS0920/05W (tikai UK)
- 9VD200 (tikai AU/NZ)

Vecāku ierīce

Baterijas

Nomainiet vienreizējās lietošanas baterijas vecāku ierīcē tikai ar četrām 1,5V R6 AA baterijām.

Piezīme: Mēs jums iesakām izmantot Philips parastās baterijas.

Adapteris

Nomainiet vecāku ierīces adapteri tikai pret oriģinālu. Jūs varat pasūtīt jaunu adapteri pie sava izplatītāja vai Philips pakalpojumu centrā:

- SBC CS0920/00W (tikai EU/SGP)
- SBC CS0920/05W (tikai UK)
- 9VD200 (tikai AU/NZ)

Vides aizsardzība

- Pēc ierīces kalpošanas ilguma beigām neizmetiet to kopā ar sadzīves atkritumiem, bet nododiet to oficiālā savākšanas punktā pārstrādei. Šādi jūs palīdzēsiet saudzēt apkārtējo vidi (Zīm. 11).
- Baterijas satur vielas, kas var piesārņot apkārtējo vidi. Neizmetiet baterijas kopā ar sadzīves atkritumiem, bet iznīciniet tās oficiālā bateriju savākšanas vietā. Pirms ierīces izmantošanas beigšanas un nodošanas oficiālajā savākšanas punktā, vienmēr izņemiet baterijas. (Zīm. 12)

Garantija un tehniskā apkope

Ja jums nepieciešams serviss vai informācija, vai palīdzība, lūdzu, izmantojiet Philips AVENT tīmekļa vietni www.philips.com/AVENT vai sazinieties ar Philips Klientu apkalpošanas centru savā valstī (tā tālruna numurs atrodams pasaules garantijas brošūrā). Ja jūsu valstī nav Klientu apkalpošanas centra, vērsieties pie vietējā Philips preču izplatītāja.

Visbiežāk uzdotie jautājumi

Šajā nodaļā ir iekļauti visbiežāk uzdotie jautājumi par ierīci. Ja nevarat atrast atbildi uz savu jautājumu, lūdzu, sazinieties ar savas valsts Philips Pakalpojumu centru.

Jautājums	Atbilde
Kāpēc barošanas gaismiņa nav iedegusies?	Iespējams, ierīces kontaktdakša nav atbilstoši ievietota ierīces kontaktligzdā vai, iespējams, adapteris nav atbilstoši ievietots sienas kontaktligzdā.
	Iespējams, ka esat aizmirsis ieslēgt ierīces. Lai ieslēgtu ierīces, nospiediet ieslēgšanas/izslēgšanas pogu uz mazuļa ierīces un pārvirziet lejup skaļuma regulatoru uz vecāku ierīces.
	Ja izmantojat ierīces ar vienreizējās lietošanas baterijām, baterijas varētu būt tukšas. Tādā gadījumā nomainiet baterijas.
Kāpēc barošanas gaismiņa mirgo sarkanā krāsā?	Jūs izmantojat ierīci ar baterijām un baterijas ir gandrīz tukšas. Nomainiet baterijas.
Kāpēc vecāku ierīce rada augstfrekvences skaņas?	Ierīces ir pārāk tuvu viena otrai. Novietojiet vecāku ierīci vismaz 1 metru/3 pēdas no mazuļa ierīces. Ja tas nepalīdz, skaļums ir pārāk augsts. Pagrieziet skaļuma regulatoru uz zemāku līmeni.
Kāpēc vecāku ierīce neizdod skaņas?	Pārbaudiet, vai skaļums nav iestatīts pārāk zemā līmenī. Ja skaļums ir pārāk zems, pagrieziet skaļuma regulatoru augstākā līmenī. Tāpat arī pārbaudiet mazuļa ierīces mikroфона jutīgumu.
Kāpēc savienojuma gaismiņa mirgo sarkanā krāsā?	Tā mirgo sarkanā krāsā, jo nav savienojuma. Vecāku ierīce varētu nebūt mazuļa ierīces darbības diapazonā vai varētu būt cits kanāls nekā mazuļa ierīcei. Pārbaudiet, vai vecāku ierīcei un mazuļa ierīcei ir iestatīts tas pats kanāls. Ja tā ir, novietojiet vecāku ierīci citā vietā tuvāk mazuļa ierīcei.

Jautājums	Atbilde
Kāpēc vecāku ierīce izdod signālus?	Jūs dzirdat savienojuma trauksmes signālu. Tas norāda, ka starp mazuļa ierīci un vecāku ierīci nav savienojuma. Vecāku ierīce varētu nebūt mazuļa ierīces darbības diapazonā vai tai varētu būt cits kanāls nekā mazuļa ierīcei. Pārbaudiet, vai vecāku ierīcei un mazuļa ierīcei ir iestatīts tas pats kanāls. Ja tā ir, novietojiet vecāku ierīci citā vietā tuvāk mazuļa ierīcei.
Kāpēc mazuļa ierīce reaģē pārāk lēni uz mazuļa izdotajām skaņām?	Iestatiet mazuļa ierīces mikrofona jutīgumu augstākā līmenī un/vai pārvietojiet mazuļa ierīci tuvāk mazulim. Pārlicinieties, ka mazuļa ierīce ir vismaz 1 metra/3 pēdu attālumā no mazuļa.
Kāpēc vecāku ierīce reaģē pārāk ātri uz citām skaņām?	Iestatiet mazuļa ierīces mikrofona jutīgumu zemākā līmenī un/vai pārvietojiet mazuļa ierīci tuvāk mazulim.
Kāpēc savienojums laiku pa laikam pazūd?	Iespējams, vecāku ierīce ir pārāk tuvu darbības diapazona robežām. Novietojiet vecāku ierīci tuvāk mazuļa ierīcei vietā, kur tā labāk uztver skaņas. Lūdzu, ņemiet vērā, ka, pavirzot vienu vai uzreiz abas ierīces, pirms savienojuma atkal izveidošanas paies apmēram 30 sekundes.
Kāpēc vecāku ierīcē ir dzirdami traucējumi?	Iespējams, traucējumi ir tad, ja vecāku ierīce ir ārpus mazuļa ierīces darbības diapazona. Vecāku ierīce var arī būt pārāk tuvu logam un uztvert traucējošus signālus caur šo logu. Pabīdīet vecāku ierīci tālāk no loga. Traucējumi arī var rasties, ja starp vecāku ierīci un mazuļa ierīci ir pārāk daudz sienu vai griestu. Novietojiet vecāku ierīci citā vietā tuvāk mazuļa ierīcei. Tāpat arī pārlicinieties, ka ierīces ir labā attālumā no mobilajiem vai bezvadu telefoniem, radioaparātiem vai televizoriem.
Kāpēc vecāku ierīce uztver signālus no cita mazuļa uzrauga?	Mazuļu uzraugs darbojas tajā pašā kanālā kā cits mazuļu uzraugs kaimiņos. Ar kanālu izvēlni iestatiet abām ierīcēm citu kanālu.
Kāpēc mazuļu uzraugs nedarbojas minētajā 200 m diapazonā?	Ierīce minētajā 200 metru diapazonā reāli darbojas tikai ārā. Mājā diapazonu sašaurina sienu un/vai griestu skaits un veids starp abām ierīcēm. Izmainiet vienas vai abu ierīču atrašanās vietu, lai optimizētu diapazonu.
Kas notiek, esot kļūmēm elektrotīklā?	Ja izmantojat ierīces, kas ir pieslēgtas elektrotīklam, un neesat ievietojis tajās baterijas, esot elektrotīkla kļūmēm, savienojums pazudīs. Ja abās ierīcēs ir baterijas, elektrotīkla kļūmju gadījumā tās automātiski ieslēgsies un savienojums nepazudīs.

Wprowadzenie

Gratulujemy zakupu i witamy wśród użytkowników produktów Philips AVENT! Aby w pełni skorzystać z oferowanej przez firmę Philips pomocy, zarejestruj swój produkt na stronie www.philips.com/welcome.

Podstawowym celem firmy Philips AVENT jest tworzenie niezawodnych urządzeń, które ułatwiają życie rodzicom. Ta elektroniczna niania Philips AVENT umożliwia zachowanie stałego kontaktu z dzieckiem. Możliwość wyboru szesnastu różnych kanałów minimalizuje zakłócenia i zapewnia dobry odbiór, umożliwiając zachowanie stałego kontaktu z dzieckiem.

Opis ogólny (rys. 1)

A Nadajnik

- 1 Mikrofon
- 2 Gniazdo do podłączenia małej wtyczki
- 3 Wyłącznik
- 4 Wskaźnik zasilania
- 5 Regulator czułości mikrofonu
- 6 Przełącznik kanałów
- 7 Zasilacz
- 8 Mała wtyczka
- 9 Pokrywka komory baterii

B Odbiornik

- 1 Zasilacz
- 2 Mała wtyczka
- 3 Wskaźnik zasilania
- 4 Głośnik
- 5 Wskaźnik połączenia
- 6 Regulator głośności z funkcją wł./wył.
- 7 Wyłącznik alarmu połączenia
- 8 Pokrywka komory baterii
- 9 Przełącznik kanałów

Ważne

Przed pierwszym użyciem urządzenia zapoznaj się dokładnie z jego instrukcją obsługi i zachowaj ją na wypadek konieczności użycia w przyszłości.

Niebezpieczeństwo

- Nigdy nie zanurzaj żadnej części urządzenia w wodzie ani innym płynie.

Ostrzeżenie

- Przed podłączeniem urządzenia upewnij się, czy napięcie podane na zasilaczu nadajnika i odbiornika jest zgodne z napięciem w sieci elektrycznej.
- Podłączając nadajnik i odbiornik do sieci elektrycznej, używaj wyłącznie zasilaczy dołączonych do urządzeń.
- Zasilacze zawierają transformatory. Ze względów bezpieczeństwa nie odcinaj zasilaczy i nie wymieniaj wtyczek zasilaczy na inne.
- W przypadku uszkodzenia zasilaczy wymień je na nowe tego samego typu, aby uniknąć niebezpiecznych sytuacji. W celu określenia właściwego typu patrz rozdział „Wymiana”.
- Nigdy nie używaj elektronicznej niani w wilgotnych miejscach ani w pobliżu wody.
- Aby uniknąć porażenia prądem, nigdy nie otwieraj obudowy nadajnika ani odbiornika (nie dotyczy komory baterii).
- Urządzenie nie jest przeznaczone do użytku przez osoby (w tym dzieci) z ograniczonymi zdolnościami fizycznymi, sensorycznymi lub umysłowymi, a także nieposiadające wiedzy lub

doświadczenia w użytkowaniu tego typu urządzeń, chyba że będą one nadzorowane lub zostaną poinstruowane na temat korzystania z tego urządzenia przez opiekuna.

- Nie pozwalaj dzieciom bawić się urządzeniem.
- Na wolnym powietrzu elektroniczna niania ma zasięg do 200 m. W zależności od otoczenia i innych czynników zakłócających działanie, zasięg urządzenia może być mniejszy (patrz część „Zasięg działania” w rozdziale „Zasady używania”).

Uwaga

- Używaj i przechowuj urządzenie w temperaturze od 10°C do 40°C.
- Nie wystawiaj nadajnika ani odbiornika na działanie niskich i wysokich temperatur oraz promieni słonecznych.
- Upewnij się, że nadajnik i przewód zasilacza zawsze znajdują się w miejscu niedostępnym dla dziecka (w odległości co najmniej 1 m od dziecka).
- Nigdy nie wkładaj nadajnika do łóżeczka lub kojca dla dziecka.
- Nie przykrywaj odbiornika i nadajnika (np. ręcznikiem lub kocem).
- Do nadajnika i odbiornika zawsze wkładaj baterie odpowiedniego typu.

Opis ogólny

- Elektroniczna niania służy jedynie jako pomoc w opiece i nie powinna zastępować odpowiedzialnego nadzoru osoby dorosłej.

Pola elektromagnetyczne (EMF)

Niniejsze urządzenie firmy Philips AVENT spełnia wszystkie normy dotyczące pól elektromagnetycznych. W przypadku prawidłowej obsługi zgodnie z zaleceniami zawartymi w instrukcji urządzenie jest bezpieczne w użytkowaniu, co potwierdzają aktualnie dostępne badania naukowe.

Przygotowanie do użycia

Nadajnik

Nadajnik może być zasilany z sieci elektrycznej lub działać na baterie. Nawet jeśli zamierzasz korzystać z zasilania sieciowego, radzimy włożyć baterie do urządzenia. Zagwarantuje to jego nieprzerwane działanie w przypadku awarii sieci elektrycznej.

Zasilanie sieciowe

- 1** Włóż małą wtyczkę do gniazda w nadajniku i podłącz zasilacz do gniazdka elektrycznego (rys. 2).

Zaświeci się wskaźnik zasilania.

Korzystanie z urządzenia z zasilaniem bateryjnym

Nadajnik działa na cztery baterie R6 AA 1,5 V (nie są dołączone do zestawu). Zdecydowanie zalecamy używanie baterii PowerLife LR6 firmy Philips. Jeśli nadajnik nie korzysta z funkcji ładowania, nie należy umieszczać w nim akumulatorów.

Przed włożeniem baterii należy odłączyć nadajnik od zasilania sieciowego i upewnić się, że ręce oraz urządzenie są suche.

- 1** Otwórz pokrywkę komory baterii, przekręcając blokadę za pomocą monety. Następnie zdejmij pokrywkę (rys. 3).

- 2** Włóż cztery baterie.

Upewnij się, że bieguny + i - baterii znajdują się w odpowiednim położeniu.

- 3** Umieść pokrywkę komory baterii na miejscu i zamknij ją, przekręcając blokadę za pomocą monety.

Gdy baterie są niemal całkowicie rozładowane, wskaźnik zasilania na nadajniku zaczyna migać na czerwono.

Odbiornik

Odbiornik może być zasilany z sieci elektrycznej lub działać na baterie. Nawet jeśli zamierzasz korzystać z zasilania sieciowego, radzimy włożyć baterie do urządzenia. Zagwarantuje to jego nieprzerwane działanie w przypadku awarii sieci elektrycznej.

Zasilanie sieciowe

1 Włóż małą wtyczkę do gniazda w odbiorniku i podłącz zasilacz do gniazdka elektrycznego. Zaświeci się wskaźnik zasilania.

Korzystanie z urządzenia z zasilaniem bateryjnym

Odbiornik działa na cztery baterie R6 AA 1,5 V (niedołączone do zestawu). Zdecydowanie zalecamy używanie baterii PowerLife LR6 firmy Phillips.

Ponieważ nadajnik nie ma funkcji ładowania, nie należy umieszczać w nim akumulatorów.

Przed włożeniem baterii odłącz odbiornik od zasilania sieciowego i upewnij się, że urządzenie i ręce są suche.

1 Przekręć blokadę o jedną czwartą obrotu (1) i przesunij pokrywkę baterii w dół, aby ją zdjąć (2) (rys. 4).

2 Włóż cztery baterie.

Upewnij się, że bieguny + i - baterii znajdują się w odpowiednim położeniu.

3 Załóż z powrotem pokrywkę komory baterii.

Uwaga: Gdy baterie są niemal całkowicie rozładowane, wskaźnik zasilania na odbiorniku zaczyna migać na czerwono.

Uwaga: Jeśli baterie są całkowicie rozładowane, odbiornik automatycznie wyłącza się i połączenie z nadajnikiem zostaje przerwane.

Zasady używania

1 Aby przetestować połączenie pomiędzy odbiornikiem i nadajnikiem, umieść urządzenia w tym samym pomieszczeniu (rys. 5).

Pamiętaj, że nadajnik powinien znajdować się w odległości co najmniej 1 metra od odbiornika.

2 Naciśnij wyłącznik, aby włączyć nadajnik (rys. 6).

Wskaźnik zasilania zacznie świecić na zielono.

3 Przekręć regulator głośności, aby włączyć odbiornik, i ustaw głośność na preferowany poziom. (rys. 7)

Wskaźnik zasilania zacznie świecić na zielono.

➤ Nawiązanie połączenia między urządzeniami sygnalizowane jest przez zielony, świecący wskaźnik połączenia na odbiorniku.

Uwaga: Połączenie zostanie nawiązane po 30 sekundach.

Uwaga: Jeśli nie można nawiązać połączenia, wskaźnik połączenia na odbiorniku miga na czerwono.

4 Ustaw nadajnik w odległości co najmniej 1 metra od dziecka (rys. 8).

5 Ustaw odbiornik w zasięgu działania nadajnika. Pamiętaj, że nadajnik powinien znajdować się w odległości co najmniej 1 metra od odbiornika. Więcej informacji na ten temat znajduje się w części „Zasięg działania” poniżej (rys. 9).

Zasięg działania

Na wolnym powietrzu elektroniczna niania ma zasięg do 200 m. W zależności od otoczenia i innych czynników zakłócających działanie, zasięg urządzenia może być mniejszy.

Sucho materiały	Grubość materiału	Utrata zasięgu
Drewno, tynk, płyta kartonowo-gipsowa, szkło (bez metalowych, drucianych i ołowianych części)	< 30 cm	0–10%
Cegła, sklejka	< 30 cm	5–35%
Żelbeton	< 30 cm	30–100%
Metalowe kraty lub pręty	< 1 cm	90–100%
Blacha metalowa lub aluminiowa	< 1 cm	100%

Mokre i wilgotne materiały mogą spowodować nawet całkowitą utratę zasięgu.

Funkcje

Autoryzacja sygnału cyfrowego

Odbiornik jest wyposażony we wskaźnik połączenia, który stale informuje o stanie połączenia między nadajnikiem i odbiornikiem. Na odbiorniku można ustawić alarm powiadamiający o utracie połączenia. Utrata połączenia spowoduje odtworzenie sygnału dźwiękowego, a wskaźnik połączenia zacznie migać na czerwono.

Aby włączyć alarm na odbiorniku:

- 1 Przekręć blokadę o jedną czwartą obrotu (1) i przesunij pokrywkę baterii w dół, aby ją zdjąć (2) (rys. 4).
 - 2 Ustaw przełącznik alarmu połączenia w komorze baterii w pozycji włączonej („on”).
 - 3 Załóż z powrotem pokrywkę komory baterii.
- Aby wyłączyć alarm, ustaw przełącznik alarmu połączenia w pozycji wyłączzonej („off”).

Regulowana czułość dźwięku

Regulator czułości mikrofonu na nadajniku umożliwia ustawienie żądanego poziomu dźwięku przechwytywanego przez nadajnik. Można ustawić niski, średni lub wysoki poziom czułości. Po ustawieniu wysokiego poziomu czułości mikrofonu nadajnik przechwytytuje wszystkie dźwięki.

Uwaga: Czułość odbiornika można zmienić tylko w przypadku istnienia połączenia między nadajnikiem i odbiornikiem.

- 1 Użyj regulatora czułości mikrofonu na nadajniku, aby ustawić żądany poziom czułości mikrofonu nadajnika. Jako odniesienia możesz użyć własnego głosu (rys. 10).
Wskaźnik na nadajniku świeci na żółto, gdy dźwięk jest przesyłany.

Uwaga: Gdy urządzenie jest zasilane z baterii, ustawienie wysokiego poziomu czułości spowoduje zwiększenie poboru mocy.

Regulowany poziom głośności głośnika

Poziom głośności odbiornika można regulować, aby dostosować go do otoczenia.

- 1 Przekręć pokrętkę głośności na odbiorniku w prawo, aby ustawić żądany poziom głośności.

Uwaga: Gdy urządzenie jest zasilane z baterii, ustawienie wysokiego poziomu głośności odbiornika spowoduje zwiększenie poboru mocy.

Przełącznik kanałów

Zawsze upewnij się, że przełączniki kanałów w komorze baterii nadajnika i odbiornika są ustawione na ten sam kanał. Za pomocą tych przełączników możesz wybrać szesnaście różnych kanałów. W przypadku zakłóceń powodowanych działaniem innych elektronicznych niań, urządzeń radiowych itp. wybierz inny kanał.

1 Otwórz pokrywkę komory baterii w nadajniku i odbiorniku.

▶ Nadajnik: (rys. 3)

- Przekręć blokadę za pomocą monety, a następnie zdejmij pokrywkę.
- Jeśli w komorze baterii znajdują się baterie, wyjmij je.
- Za pomocą małego, płaskiego śrubokrętu ustaw przełącznik kanałów w żądanej pozycji.

▶ Odbiornik: (rys. 4)

- Przekręć blokadę o jedną czwartą obrotu (1) i przesun pokrywkę baterii w dół, aby ją zdjąć (2).
- Jeśli w komorze baterii znajdują się baterie, wyjmij je.
- Za pomocą małego, płaskiego śrubokrętu ustaw przełącznik kanałów w żądanej pozycji.

Uwaga: Upewnij się, że oba urządzenia są ustawione na ten sam kanał.

Jeśli podczas testowania połączenia nie występują żadne zakłócenia, zamknij komory baterii w nadajniku i odbiorniku.

W przypadku wystąpienia zakłóceń ustaw przełącznik na inny kanał, a następnie przetestuj ponownie połączenie.

Jeśli w urządzeniach nie są używane akumulatory, wymień baterie i zamknij komory baterii.

Czyszczenie i konserwacja

Nie zanurzaj nadajnika lub odbiornika w wodzie ani nie myj ich pod bieżącą wodą.

Nie używaj sprayu do czyszczenia ani środków czyszczących w płynie.

- Wyjmij wtyczki nadajnika lub odbiornika z gniazdka elektrycznego, jeśli urządzenia są podłączone do sieci elektrycznej.
- Wyczyść odbiornik i nadajnik zwilżoną szmatką.

Upewnij się, że urządzenia są suche przed ich podłączeniem do sieci elektrycznej.

- Zasilacze można czyścić suchą szmatką.

Przechowywanie

Jeśli elektroniczna niania nie będzie używana przez pewien czas, wyjmij baterie z nadajnika i odbiornika. Umieść nadajnik, odbiornik i zasilacze w suchym i chłodnym miejscu.

Wymiana

Nadajnik

Baterie

Baterie nadajnika wymieniaj wyłącznie na cztery baterie R6 AA 1,5V.

Uwaga: Zalecamy korzystanie z baterii firmy Philips.

Zasilacz

Zasilacz nadajnika należy wymienić wyłącznie na oryginalny model tego samego typu. Nowy zasilacz można zamówić u sprzedawcy produktów Philips lub w centrum serwisowym firmy Philips.

- SBC CS0920/00W (tylko EU/SGP)
- SBC CS0920/05W (tylko UK)
- 9VD200 (tylko AU/NZ)

Odbiornik

Baterie

Baterie nadajnika wymieniaj wyłącznie na cztery baterie R6 AA 1,5 V.

Uwaga: Zalecamy korzystanie z baterii firmy Philips.

Zasilacz

Zasilacz odbiornika należy wymienić wyłącznie na oryginalny model tego samego typu. Nowy zasilacz można zamówić u sprzedawcy produktów Philips lub w centrum serwisowym firmy Philips.

- SBC CS0920/00W (tylko EU/SGP)
- SBC CS0920/05W (tylko UK)
- 9VD200 (tylko AU/NZ)

Ochrona środowiska

- ▶ Zużytego urządzenia nie należy wyrzucać wraz z normalnymi odpadami gospodarstwa domowego — należy oddać je do punktu zbiórki surowców wtórnych w celu utylizacji. Stosowanie się do tego zalecenia pomaga w ochronie środowiska (rys. 11).
- ▶ Baterie zawierają substancje szkodliwe dla środowiska naturalnego. Nie należy ich wyrzucać wraz z innymi odpadami gospodarstwa domowego, tylko oddać je do punktu zbiórki surowców wtórnych. Przed wyrzuceniem lub oddaniem urządzenia do punktu zbiórki surowców wtórnych należy pamiętać o wyjęciu baterii. (rys. 12)

Gwarancja i serwis

W razie konieczności naprawy, jakichkolwiek pytań lub problemów prosimy odwiedzić naszą stronę internetową **www.philips.com/AVENT** lub skontaktować się z Centrum Obsługi Klienta firmy Philips (numer telefonu znajduje się w ulotce gwarancyjnej). Jeśli w kraju zamieszkania nie ma takiego Centrum, o pomoc należy zwrócić się do sprzedawcy produktów firmy Philips.

Często zadawane pytania

W tym rozdziale znajdują się odpowiedzi na najczęściej zadawane pytania na temat tego urządzenia. Jeśli nie możesz znaleźć odpowiedzi na swoje pytanie, skontaktuj się z Centrum Obsługi Klienta w swoim kraju.

Pytanie	Odpowiedź
Dlaczego wskaźnik zasilania nie świeci?	Być może wtyczka nie została właściwie włożona do gniazda urządzenia lub zasilacz nie został prawidłowo włożony do gniazdka elektrycznego. Być może zapomniano także włączyć nadajnik i odbiornik. Naciśnij wyłącznik na nadajniku i przekręć regulator głośności na odbiorniku w dół, aby włączyć urządzenia. Jeśli korzystasz z urządzeń zasilanych bateriami, mogą one być niemal całkowicie rozładowane. W takim przypadku wymień baterie.
Dlaczego wskaźnik zasilania miga na czerwono?	Korzystasz z urządzenia zasilanego bateriami, które są niemal rozładowane. Wymień baterie.
Dlaczego odbiornik emituje wysokie dźwięki?	Nadajnik i odbiornik znajdują się zbyt blisko siebie. Przesuń odbiornik na odległość co najmniej 1 metra od nadajnika. Jeśli to nie pomoże, być może poziom dźwięku jest zbyt wysoki. Ustaw regulator głośności na niższy poziom.
Dlaczego nie słychać żadnego dźwięku z odbiornika?	Sprawdź, czy poziom głośności jest odpowiednio wysoki. Jeśli poziom głośności jest zbyt niski, ustaw regulator głośności na wyższy poziom. Sprawdź także czułość mikrofonu w nadajniku.
Dlaczego wskaźnik połączenia miga na czerwono?	Miga na czerwono, ponieważ nie ma połączenia. Być może odbiornik znajduje się poza zasięgiem nadajnika lub w odbiorniku jest ustawiony inny kanał niż w nadajniku. Sprawdź, czy odbiornik i nadajnik są ustawione na ten sam kanał. Jeśli tak, umieść odbiornik w innym miejscu, bliżej nadajnika.
Dlaczego odbiornik wydaje sygnały dźwiękowe?	To, co słyszysz, to alarm połączenia. Sygnalizuje on brak połączenia między nadajnikiem i odbiornikiem. Być może odbiornik znajduje się poza zasięgiem nadajnika lub w odbiorniku jest ustawiony inny kanał niż w nadajniku. Sprawdź, czy odbiornik i nadajnik są ustawione na ten sam kanał. Jeśli tak, umieść odbiornik w innym miejscu, bliżej nadajnika.
Dlaczego odbiornik reaguje z opóźnieniem na dźwięki wydawane przez dziecko?	Ustaw czułość mikrofonu na nadajniku na wyższy poziom i/lub przysuń nadajnik bliżej dziecka. Pamiętaj, że nadajnik powinien znajdować się w odległości co najmniej 1 metra od dziecka.
Dlaczego odbiornik reaguje zbyt szybko na inne dźwięki?	Ustaw czułość mikrofonu na nadajniku na niższy poziom i/lub przysuń nadajnik bliżej dziecka.
Dlaczego od czasu do czasu połączenie zostaje przerwane?	Odbiornik jest prawdopodobnie blisko granicy zasięgu działania. Umieść odbiornik bliżej nadajnika, w miejscu, w którym jest lepszy odbiór. Pamiętaj, że po przesunięciu jednego lub obu części urządzenia ponowne nawiązanie połączenia trwa około 30 sekund.

Pytanie	Odpowiedź
Dlaczego w odbiorniku pojawiają się zakłócenia?	Zakłócenia mogą powstawać, kiedy odbiornik jest poza zasięgiem nadajnika. Być może odbiornik znajduje się zbyt blisko okna i odbiera sygnały zakłócające przez to okno. Odsuń odbiornik od okna.
	Zakłócenia mogą także powstawać, kiedy nadajnik i odbiornik są oddzielone zbyt wieloma ścianami i/lub sufitami. Spróbuj ustawić odbiornik w innym miejscu bliżej nadajnika. Upewnij się także, że urządzenia znajdują się z daleka od telefonów komórkowych lub bezprzewodowych, odbiorników radiowych lub telewizorów.
Dlaczego odbiornik wylapuje sygnały z innej elektronicznej niani?	Elektroniczna niania działa na tym samym kanale co inne tego typu urządzenie w sąsiedztwie. Ustaw nadajnik i odbiornik na inny kanał za pomocą przełącznika kanałów.
Dlaczego elektroniczna niania nie ma faktycznego zasięgu 200 m?	Urządzenie ma zasięg 200 m jedynie na wolnym powietrzu. W domu zasięg jest ograniczony przez liczbę i rodzaj ścian i/lub sufitów znajdujących się pomiędzy nadajnikiem i odbiornikiem. Ustaw jedno lub oba urządzenia w innym miejscu, aby zwiększyć zasięg.
Co się dzieje w przypadku awarii sieci elektrycznej?	W przypadku awarii sieci elektrycznej – jeśli korzystasz z zasilania sieciowego i w urządzeniu nie ma baterii – połączenie zostanie przerwane. Jeśli w nadajniku i odbiorniku są baterie, urządzenie zacznie automatycznie korzystać z zasilania bateryjnego i połączenie nie zostanie przerwane.

Introducere

Felicitări pentru achiziție și bun venit la Philips AVENT! Pentru a beneficia pe deplin de asistența oferită de Philips AVENT, înregistrați-vă produsul la www.philips.com/welcome.

Philips AVENT se consacră realizării de produse de îngrijire, fiabile, pentru a le oferi părinților siguranța de care au nevoie. Monitorul pentru copii Philips AVENT vă permite să vă auziți copilul de oriunde vă aflați, în interiorul sau în jurul locuinței. Cele șaisprezece opțiuni diferite de canale garantează interferențe minime și o recepție sigură, care vă permit să vă aflați în contact continuu cu copilul dvs.

Descriere generală (fig. 1)

A Unitatea pentru copil

- 1 Microfon
- 2 Mufă pentru conector mic
- 3 Butonul Pornit/Oprit
- 4 Indicator alimentare
- 5 Control microfon sensibil
- 6 Selector canale
- 7 Adaptor
- 8 Conector mic
- 9 Capac pentru compartimentul bateriei

B Unitatea pentru părinte

- 1 Adaptor
- 2 Conector mic
- 3 Indicator alimentare
- 4 Difuzor
- 5 Led conectare
- 6 Control volum cu funcție Pornit/Oprit
- 7 Comutator alarmă pentru conexiune
- 8 Capac pentru compartimentul bateriei
- 9 Selector canale

Important

Citiți aceste instrucțiuni de utilizare cu atenție înainte de a folosi aparatul și păstrați-le pentru consultare ulterioară.

Pericol

- Nu introduceți nici o componentă a monitorului pentru copii în apă sau în alte lichide.

Avertisment

- Verificați dacă tensiunea indicată pe adaptoarele unității pentru copil și unității pentru părinte corespund tensiunii locale de la priză, înainte de a conecta aparatul.
- Pentru conectarea unităților pentru părinte și copil la circuitul de alimentare, utilizați numai adaptoarele livrate.
- Adaptoarele conțin transformatoare. Nu încercați să înlocuiți conectorii, deoarece riscați să provocați accidente.
- Dacă adaptoarele sunt deteriorate, înlocuiți-le întotdeauna cu modele originale pentru a evita orice riscuri. Pentru modelul corect, consultați capitolul "Înlocuirea".
- Nu utilizați niciodată monitorul pentru copii în locuri umede sau în apropierea apei.
- Cu excepția compartimentului pentru baterii, nu deschideți unitatea pentru copil sau unitatea pentru părinte pentru a evita curentarea.
- Acest aparat nu trebuie utilizat de către persoane (inclusiv copii) care au capacități fizice, mentale sau senzoriale reduse sau sunt lipsite de experiență și cunoștințe, cu excepția cazului în

care sunt supravegheați sau instruiți cu privire la utilizarea aparatului de către o persoană responsabilă pentru siguranța lor.

- Copiii trebuie supravegheați pentru a nu se juca cu aparatul.
- Monitorul pentru copii are o rază de acțiune de 200 metri/600 picioare în aer liber. În funcție de condițiile de mediu și de alți factori perturbatori, raza de acțiune poate scădea (consultați secțiunea "Raza de acțiune", din capitolul "Utilizarea aparatului").

Precauție

- Utilizați și păstrați aparatul la o temperatură cuprinsă între 10 °C și 40 °C.
- Nu expuneți unitatea pentru copil și unitatea pentru părinte la frig, căldură extremă sau la lumina directă a soarelui.
- Asigurați-vă că unitatea pentru copil și cablul nu sunt lăsate la îndemâna copilului (la cel puțin 1 m/3 ft).
- Nu plasați niciodată unitatea copilului în pătuț sau în țarc.
- Nu acoperiți unitatea pentru copil sau unitatea pentru părinte cu nimic (de exemplu un prosop sau o pătură).
- Introduceți întotdeauna baterii reîncărcabile de tipul corect în unitatea pentru copil și în unitatea pentru părinte.

Informații generale

- Acest monitor pentru copii este un accesoriu ajutător. Nu este un substitut pentru supravegherea responsabilă a copilului de către un adult și nu trebuie folosit ca atare.

Câmpuri electromagnetice (EMF)

Acest aparat Philips AVENT respectă toate standardele referitoare la câmpuri electromagnetice (CEM). Dacă este manevrat corespunzător și în conformitate cu instrucțiunile din acest manual de utilizare, aparatul prezintă siguranță în utilizare conform dovezilor științifice disponibile în prezent.

Pregătirea pentru utilizare

Unitatea pentru copil

Puteți utiliza unitatea pentru copil conectată la o priză electrică sau cu baterii nereîncărcabile. Chiar dacă veți utiliza unitatea conectată la o priză electrică, vă recomandăm să introduceți baterii nereîncărcabile. Aceasta garantează funcționarea automată în cazul unei pene electrice.

Operarea cu adaptorul electric

- 1 Puneți fișa aparatului în unitatea pentru copil și introduceți adaptorul în priză (fig. 2).** Led-ul butonului se aprinde.

Funcționarea cu baterii nereîncărcabile

Unitatea pentru copil funcționează cu patru baterii R6 AA de 1,5 volți (nu sunt incluse). Vă recomandăm să utilizați baterii Philips LR6 PowerLife.

Nu utilizați baterii reîncărcabile, deoarece unitatea pentru copil nu dispune de funcție de încărcare.

Decuplați unitatea pentru copil din priză și asigurați-vă că mâinile dvs. și unitatea sunt uscate când introduceți bateriile nereîncărcabile.

- 1 Deblocați capacul compartimentului pentru baterii rotind discul de blocare cu o monedă.** Apoi îndepărtați capacul (fig. 3).

- 2 Inserați patru baterii nereîncărcabile.**

Asigurați-vă că polii + și - ai bateriilor sunt îndreptați în direcțiile corespunzătoare.

- 3 Reatașați capacul compartimentului pentru baterii și închideți-l rotind discul de blocare cu o monedă.**

Când bateriile sunt aproape descărcate, ledul pentru alimentare de pe unitatea pentru copil luminează roșu intermitent.

Unitatea pentru părinte

Puteți utiliza unitatea pentru părinte conectată la o priză electrică sau cu baterii nereîncărcabile. Chiar dacă veți utiliza unitatea conectată la o priză electrică, vă recomandăm să introduceți baterii nereîncărcabile. Aceasta garantează funcționarea automată în cazul unei pene electrice.

Operarea cu adaptorul electric

- 1 Puneți fișa aparatului în unitatea pentru părinte și introduceți adaptorul în priză.**

Led-ul butonului se aprinde.

Funcționarea cu baterii nereîncărcabile

Unitatea pentru părinte funcționează cu patru baterii R6 AA de 1,5 volți (nu sunt incluse). Vă recomandăm să utilizați baterii Philips LR6 PowerLife.

Nu utilizați baterii reîncărcabile, deoarece unitatea pentru părinte nu dispune de funcție de încărcare.

Decuplați unitatea pentru părinte din priză și asigurați-vă că mâinile dvs. și unitatea sunt uscate când introduceți bateriile nereîncărcabile.

- 1 Rotiți discul de blocare un sfert de rotație (1) și glisați capacul pentru baterii în jos pentru a-l îndepărta (2) (fig. 4).**

- 2 Inserați patru baterii nereîncărcabile.**

Asigurați-vă că polii + și - ai bateriilor sunt îndreptați în direcțiile corespunzătoare.

- 3 Înlocuiți capacul pentru compartimentul bateriei.**

Notă: Când bateriile sunt aproape descărcate, ledul pentru alimentare de pe unitatea pentru părinte luminează roșu intermitent.

Notă: Dacă bateriile sunt descărcate complet, unitatea pentru părinte se oprește automat și pierde contactul cu unitatea pentru copil.

Utilizarea aparatului

- 1 Așezați două unități în aceeași cameră pentru a testa conexiunea (fig. 5).**

Asigurați-vă că unitatea pentru copil se află la cel puțin 1 metru/3 ft de unitatea pentru părinte.

- 2 Apăsăți butonul Pornit/Oprit pentru a porni unitatea pentru copil (fig. 6).**

Ledul de alimentare luminează verde continuu.

- 3 Răsuciți butonul de volum pentru a porni unitatea parentală și pentru a seta volumul la nivelul dorit. (fig. 7)**

Ledul de alimentare luminează verde continuu.

- ▶ **La stabilirea unei conexiuni între cele două unități, ledul de conectare al unității parentale luminează verde continuu.**

Notă: Durează aproximativ 30 de secunde pentru stabilirea conexiunii.

Notă: Dacă nu se poate stabili o conexiune, ledul de conectare de pe unitatea pentru părinte se aprinde roșu intermitent.

- 4 Așezați unitatea pentru copil la o distanță de cel puțin 1 metru/3 ft departe de copil (fig. 8).**

- 5 Așezați unitatea parentală în limita razei de acțiune a unității copilului. Asigurați-vă că aceasta se află la cel puțin 1 m/3 ft față de unitatea copilului. Pentru informații suplimentare legate de raza de acțiune, consultați secțiunea Raza de acțiune de mai jos (fig. 9).**

Raza de acțiune

Raza de acțiune a monitorului pentru copii este de 200 m/660 ft în spațiu deschis. În funcție de mediul înconjurător și de alți factori perturbatori, raza de acțiune poate fi mai mică.

Materiale uscate	Grosime material	Mișcarea razei de acțiune
Lemn, gips, gips-carton, sticlă (fără metal, sârmă sau plumb)	< 30 cm / 12 in.	0 - 10%
Cărămidă, placaj	< 30 cm / 12 in.	5 - 35%
Beton armat	< 30 cm / 12 in.	30 - 100%
Grile sau bare metalice	< 1 cm / 0,4 in.	90-100%
Foi metalice sau de aluminiu	< 1 cm / 0,4 in.	100%

În cazul materialelor ude sau umede, raza de acțiune poate scădea cu 100%.

Caracteristici

Confirmare a semnalului digital

Unitatea pentru părinte are un led de conectare care vă informează continuu cu privire la starea conexiunii dintre unitatea pentru copil și cea pentru părinte. Puteți seta o alertă pe unitatea pentru părinte pentru a vă anunța dacă s-a pierdut conexiunea. Alerta va emite un semnal sonor și ledul de conectare va lumina intermitent roșu când conexiunea s-a pierdut.

Pentru a activa alerta pe unitatea pentru părinte:

- 1 Rotiți discul de blocare un sfert de rotație (1) și glisați capacul pentru baterii în jos pentru a-l îndepărta (2) (fig. 4).
 - 2 Setati alarma pentru conectare din compartimentul pentru baterii la poziția "Pornit".
 - 3 Înlocuiți capacul pentru compartimentul bateriei.
- Pentru a deconecta alerta, setati comutatorul alertei de conexiune la poziția "Pornit".

Sensibilitate reglabilă pentru sunet

Cu ajutorul controlului sensibilității microfonului de pe unitatea pentru copil, puteți seta sunetul care este perceput de unitatea pentru copil la nivelul dorit: redus, mediu sau înalt. Când sensibilitatea microfonului este setată la "înaltă", unitatea pentru copil percepe toate sunetele.

Notă: Sensibilitatea unității pentru copil poate fi modificată numai dacă există o conexiune între unitatea pentru copil și cea pentru părinte.

- 1 Utilizați controlul sensibilității microfonului pentru a seta sensibilitatea microfonului unității pentru copil la nivelul dorit. Puteți utiliza propria dvs. voce ca referință pentru sunet (fig. 10). Indicatorul de alimentare al unității pentru copil devine galben la transmiterea unui sunet.

Notă: În timpul funcționării pe baterii, dacă sensibilitatea este setată la un nivel ridicat, unitatea pentru părinte va consuma mai multă energie.

Volum reglabil pentru difuzor

Puteți modifica volumul unității pentru părinte, astfel încât să vă puteți adapta la mediul dvs. ambiant.

- 1 Rotiți selectorul de volum spre partea dreaptă a unității pentru părinte până când atingeți volumul dorit al difuzorului pentru unitatea pentru părinte.

Notă: În timpul funcționării pe baterii, dacă sensibilitatea este setată la un nivel ridicat, unitatea pentru părinte va consuma mai multă energie.

Selector canale

Asigurați-vă că selectoarele de canal aflate în interiorul compartimentelor pentru baterii din fiecare unitate sunt setate la același canal. Cu aceste selectoare de canal, puteți selecta șaisprezece poziții diferite pentru canal. Dacă experimentați interferențe de la alte monitoare pentru copii, dispozitive radio etc., selectați un canal diferit.

1 Deschideți capacele compartimentelor pentru baterii ale ambelor unități.

Unitatea pentru copil: (fig. 3)

- Rotiți discul de blocare cu o monedă și îndepărtați capacul.
- Dacă există, îndepărtați bateriile din compartimentul pentru baterii.
- Utilizați o șurubelniță mică și plată pentru a roti selectorul de canale în poziția dorită.

Unitatea pentru părinte: (fig. 4)

- Rotiți discul de blocare un sfert de rotație (1) și glisați capacul pentru baterii în jos pentru a-l îndepărta (2).
- Dacă există, îndepărtați bateriile din compartimentul pentru baterii.
- Utilizați o șurubelniță mică și plată pentru a roti selectorul de canale în poziția dorită.

Notă: Asigurați-vă că ambele unități sunt setate la același canal.

Dacă nu întâmpinați nicio interferență când testați conexiunea, închideți compartimentele pentru baterii ale unității pentru copil și a celei pentru părinte.

Întâmpinați interferențe, setați selectorul la alt canal și testați conexiunea din nou.

Dacă unitățile funcționează pe baterii nereîncărcabile, înlocuiți bateriile și închideți compartimentele pentru baterii.

Curățare și întreținere

Nu introduceți unitatea pentru părinte sau unitatea pentru copil în apă și nu le curățați la robinet.

Nu utilizați spray de curățare sau soluții de curățare lichide.

- Scoateți din priză unitatea pentru copil sau unitatea pentru părinte dacă sunt conectate la circuitul de curent electric.
- Curățați unitatea pentru părinte și unitatea pentru copil cu o cârpă umedă.

Asigurați-vă că aparatele sunt uscate înainte de a le conecta la priză.

- Curățați adaptoarele cu o cârpă uscată.

Depozitarea

Dacă nu intenționați să utilizați monitorul pentru copii pentru mai mult timp, îndepărtați bateriile nereîncărcabile din unitatea pentru copil și din unitatea pentru părinte. Depozitați unitatea pentru copil, unitatea pentru părinte și adaptoarele într-un loc răcoros și uscat.

Înlocuirea

Unitatea pentru copil

Baterii

Înlocuiți bateriile nereîncărcabile ale unității pentru copil numai cu patru baterii AA R6 de 1,5 V.

Notă: Vă recomandăm puternic să utilizați baterii nereîncărcabile Philips.

Adaptor

Înlocuiți adaptorul unității pentru copil numai cu un model de adaptor original. Puteți comanda un adaptor nou de la distribuitorul dvs. sau de la un centru de service Philips:

- SBC CS0920/00W (numai UE/SGP)

- SBC CS0920/05W (numai UK)
- 9VD200 (numai AU/NZ)

Unitatea pentru părinte

Baterii

Înlocuiți bateriile nereîncărcabile ale unității pentru părinte numai cu patru baterii 1,5 V R6 AA.

Notă: Vă recomandăm puternic să utilizați baterii nereîncărcabile Philips.

Adaptor

Înlocuiți adaptorul unității pentru părinte numai cu un model de adaptor original. Puteți comanda un adaptor nou de la distribuitorul dvs. sau de la un centru de service Philips:

- SBC CS0920/00W (numai UE/SGP)
- SBC CS0920/05W (numai UK)
- 9VD200 (numai AU/NZ)

Protecția mediului

- Nu aruncați aparatul împreună cu gunoiul menajer la sfârșitul duratei de funcționare, ci predați-l la un punct de colectare autorizat pentru reciclare. În acest fel, veți ajuta la protejarea mediului înconjurător (fig. 11).
- Bateriile conțin substanțe care pot polua mediul. Nu aruncați bateriile uzate împreună cu gunoiul menajer, ci predați-le la un punct de colectare autorizat pentru reciclare. Scoateți întotdeauna bateriile înainte de a casa aparatul sau înainte de a-l preda la un punct de colectate. (fig. 12)

Garanție și service

Dacă aveți nevoie de informații sau întâmpinați probleme, vizitați site-ul Web Philips AVENT la adresa www.philips.com/AVENT sau contactați centrul Philips de asistență pentru clienți din țara dvs. (puteți găsi numărul de telefon în garanția internațională). Dacă în țara dvs. nu există un astfel de centru, deplasați-vă la furnizorul dvs. Philips local.

Întrebări frecvente

În acest capitol sunt prezentate cele mai frecvente întrebări formulate în legătură cu aparatul. Dacă nu puteți găsi răspunsul la întrebarea dvs., contactați centrul de asistență pentru clienți din țara dvs.

Întrebare

De ce nu este aprins indicatorul de alimentare?

Răspuns

Probabil că fișa aparatului nu a fost introdusă corespunzător în mufa unității sau adaptorul nu a fost introdus sau nu a fost introdus corespunzător în priza de perete.

De asemenea, este posibil să fi uitat să porniți unitățile. Apăsăți butonul Pornire/Oprire de pe unitatea pentru copil și rotiți în jos controlul volumului de pe unitatea pentru părinte pentru a porni unitățile.

Dacă utilizați unitățile pe baterii, acestea pot fi descărcate. În acest caz, înlocuiți bateriile.

De ce ledul de pornire luminează intermitent roșu?

Utilizați unitatea pe baterii și acestea sunt descărcate. Înlocuiți bateriile.

Întrebare	Răspuns
De ce unitatea pentru părinte produce un zgomot înalt?	Unitățile sunt prea apropiate. Mutați unitatea pentru părinte la o distanță de cel puțin 1 metru/3 picioare de unitatea pentru copil. Dacă acest lucru nu este util, volumul este prea ridicat. Rotiți controlul pentru volum la un volum inferior.
De ce nu se emite niciun zgomot de la unitatea pentru părinte?	Verificați dacă volumul este setat suficient de ridicat. Dacă volumul este prea scăzut, rotiți controlul pentru volum la un volum superior. De asemenea, verificați microfonul sensibil al unității pentru copil.
De ce ledul de conectare luminează roșu intermitent?	Acesta luminează roșu intermitent, deoarece nu există nici o conexiune. Este posibil ca unitatea pentru părinte să fie în afara razei de acțiune sau să fie setată la un alt canal decât unitatea pentru copil. Verificați dacă unitatea pentru părinte și unitatea pentru copil sunt setate la același canal. În acest caz, amplasați unitatea pentru părinte într-un alt loc, mai aproape de unitatea pentru copil.
De ce semnalizează sonor unitatea pentru părinte?	Ceea ce auziți este alarma pentru conexiune. Aceasta indică faptul că nu există nici o conexiune între unitatea pentru copil și cea pentru părinte. Este posibil ca unitatea pentru părinte să fie în afara razei de acțiune sau să fie setată la un alt canal decât unitatea pentru copil. Verificați dacă unitatea pentru părinte și unitatea pentru copil sunt setate la același canal. În acest caz, amplasați unitatea parentală într-un alt loc, mai aproape de unitatea pentru copil.
De ce unitatea parentală reacționează prea lent la sunetele copilului?	Setați microfonul sensibil al unității pentru copil la un nivel mai ridicat și/ sau mutați unitatea pentru copil mai aproape de copil. Asigurați-vă că unitatea pentru copil se află la o distanță de cel puțin 1 metru/3 ft departe de copil.
De ce unitatea parentală reacționează prea rapid la alte sunete?	Setați microfonul sensibil al unității pentru copil la un nivel mai redus și/ sau mutați unitatea pentru copil mai aproape de copil.
De ce se pierde conexiunea din când în când?	Unitatea pentru părinte este probabil aproape de limitele razei de acțiune. Amplasați unitatea parentală mai aproape de unitatea pentru copil într-un loc cu o recepție mai bună. Rețineți că durează aproximativ 30 de secunde până la restabilirea conexiunii atunci când mutați una sau ambele unități.
De ce obțin interferențe la unitatea parentală?	Puteți întâmpina interferențe când unitatea pentru părinte se află în afara razei de acțiune a unității pentru copil. De asemenea, este posibil ca unitatea pentru părinte să se afle prea aproape de o fereastră și să perceapă semnale interferente prin această fereastră. Îndepărtați unitatea pentru părinte de fereastră.
	Interferențele pot apărea de asemenea dacă există prea mulți pereți sau prea multe tavane între unitatea pentru părinte și cea pentru copil. Așezați unitatea pentru părinte în altă locație, mai aproape de unitatea pentru copil. De asemenea, asigurați-vă că unitățile nu se află în apropierea telefoanelor mobile sau fără fir, a radiourilor sau a televizorilor.

Întrebare	Răspuns
De ce preia unitatea parentală semnale de la un alt monitor pentru copii?	Monitorul pentru copii funcționează pe același canal ca alt monitor pentru copii din vecinătate. Setati ambele unități la un alt canal cu ajutorul selectorului de canale.
De ce nu atinge monitorul pentru copii raza de acțiune specificată, de 200 m?	Raza de acțiune de 200 m este valabilă doar în spațiu deschis. În interior, raza de acțiune este afectată de numărul și tipul pereților și/sau tavanelor dintre cele două unități. Repoziționați una sau ambele unități pentru a optimiza raza de acțiune.
Ce se întâmplă în cazul unei pene de curent?	Dacă utilizați unitățile cu adaptoarele electrice fără a avea baterii în interior, conexiunea se va pierde în cazul unei pene de curent. În cazul în care ambele unități sunt dotate cu baterii, alimentarea va fi comutată automat pe baterii, iar conexiunea nu se va pierde.

Введение

Поздравляем с покупкой! Добро пожаловать в Philips AVENT! Для того чтобы воспользоваться всеми преимуществами поддержки, оказываемой Philips AVENT, зарегистрируйте приобретенный вами продукт на сайте www.philips.com/welcome. Philips AVENT предлагает надежные продукты по уходу за детьми, дающие их родителям необходимую уверенность. Эта радионяня Philips AVENT позволяет слышать вашего малыша в любое время и в любом месте вашего дома и вне его. Наличие шестнадцати каналов связи гарантирует минимальные помехи и высокое качество приема. Вы постоянно будете на связи с вашим ребенком.

Общее описание (Рис. 1)

А Детский блок

- 1 Микрофон
- 2 Гнездо для маленького штекера
- 3 Кнопка питания
- 4 Индикатор включения питания
- 5 Регулятор чувствительности микрофона
- 6 Переключатель каналов
- 7 Переходник-адаптер
- 8 Маленький штекер
- 9 Крышка отсека батареек

В Родительский блок

- 1 Переходник-адаптер
- 2 Маленький штекер
- 3 Индикатор включения питания
- 4 Динамик
- 5 Индикатор соединения
- 6 Регулятор громкости с функцией включения/отключения
- 7 Переключатель сигнала разрыва соединения
- 8 Крышка отсека батареек
- 9 Переключатель каналов

Важно

До начала эксплуатации прибора внимательно ознакомьтесь с настоящим руководством и сохраните его для дальнейшего использования в качестве справочного материала.

Опасно

- Запрещается погружать радионяню в воду и другие жидкости.

Предупреждение

- Перед подключением прибора убедитесь, что номинальное напряжение, указанное на адаптере детского и родительского блоков, соответствует местному напряжению электросети.
- Для подключения детского и родительского блоков к сети пользуйтесь только адаптером, входящим в комплект поставки.
- В конструкцию адаптера входит трансформатор. Запрещается заменять адаптер или производить замену оригинальной вилки на какую-либо другую: это опасно.
- При повреждении адаптеров, заменяйте их оригинальным адаптером, чтобы обеспечить безопасную эксплуатацию прибора. Для выбора соответствующего типа см. главу "Замена".
- Запрещается использовать радионяню рядом с водой или в сырых местах.
- Во избежание поражения электрическим током, не открывайте корпус детского и родительского блока, за исключением отсека для батареек.

- Данный прибор не предназначен для использования лицами (включая детей) с ограниченными возможностями сенсорной системы или ограниченными интеллектуальными возможностями, а так же лицами с недостаточным опытом и знаниями, кроме случаев контроля или инструктирования по вопросам использования прибора со стороны лиц, ответственных за их безопасность.
- Не позволяйте детям играть с прибором.
- Диапазон работы радионяни на открытом пространстве составляет 200 метров. В зависимости от окружающих объектов и других препятствующих распространению сигнала факторов диапазон работы может быть меньше (см. раздел "Рабочий диапазон" в главе "Использование прибора").

Внимание

- Использование и хранение прибора должны производиться при температуре 10°C до 40°C.
- Не подвергайте детский и родительский блоки воздействию низких или высоких температур или воздействию прямого солнечного света.
- Детский блок и шнур питания должны постоянно находиться в месте, недоступном для детей (на расстоянии минимум 1 метр).
- Запрещается помещать детский блок в детскую кроватку или манеж.
- Запрещается накрывать чем-либо родительский и детский блоки (например, полотенцем или одеялом).
- Всегда используйте неперезаряжаемые батареи для детского и родительского блоков.

Общее описание

- Радионяня задумана, как ваш помощник. Она не заменяет соответствующего присмотра за детьми взрослыми и не может рассматриваться, как такое устройство.

Электромагнитные поля (ЭМП)

Данное устройство Philips AVENT соответствует стандартам, установленным для электромагнитных полей (ЭМП). При правильном обращении согласно инструкциям, приведенным в руководстве пользователя, применение устройства безопасно в соответствии с современными научными данными.

Подготовка устройства к работе

Детский блок

Питание детского блока может производиться от сети или неперезаряжаемых батарей. Даже если вы планируете питание блока от электросети, мы рекомендуем установить неперезаряжаемые батареи. Это гарантирует автоматическое возобновление питания в случае сбоя электросети.

Питание от сети

- 1** Вставьте штекер прибора в детский блок и подключите адаптер к розетке электросети (Рис. 2).

Загорится индикатор питания.

Работа от неперезаряжаемых батарей

Детский блок работает от четырех 1,5-вольтных батареек R6 типа AA. Мы настоятельно рекомендуем использовать батарейки Philips LR6 PowerLife.

Для питания нельзя использовать аккумуляторы, поскольку детский блок не обладает режимом зарядки.

Отключите детский блок от электросети и перед установкой неперезаряжаемых батарей убедитесь, что руки и прибор сухие.

1 Откройте отсек батареек, повернув монетой фиксатор крышки и снимите крышку отсека (Рис. 3).

2 Установите четыре неперезаряжаемых батареек.
При установке батареек соблюдайте полярность ("+" и "-")

3 Установите крышку отсека батарей на место и закрепите ее, повернув монетой фиксатор крышки.

Когда батареи разряжены, индикатор на детском блоке начинает мигать красным.

Родительский блок

Питание родительского блока может производиться от сети или неперезаряжаемых батарей. Даже если вы планируете питание блока от электросети, мы рекомендуем установить неперезаряжаемые батареи. Это гарантирует автоматическое возобновление работы в случае сбоя электросети.

Питание от сети

1 Вставьте штекер прибора в родительский блок и подключите адаптер к розетке электросети.

Загорится индикатор питания.

Работа от неперезаряжаемых батарей

Родительский блок работает от четырех 1,5-вольтных батареек R6 типа AA (не входят в комплект). Мы настоятельно рекомендуем использовать батареи Philips LR6 PowerLife. Для питания нельзя использовать аккумуляторы, поскольку родительский блок не обладает режимом зарядки.

Отключите родительский блок от электросети и перед установкой неперезаряжаемых батарей убедитесь, что руки и прибор сухие.

1 Поверните фиксатор на четверть оборота (1) и снимите крышку, сдвинув ее вниз (2) (Рис. 4).

2 Установите четыре неперезаряжаемых батареек.
При установке батареек соблюдайте полярность ("+" и "-")

3 Установите крышку на место.

Примечание: Когда батареи разряжены, индикатор на родительском блоке начинает мигать красным.

Примечание: Если батареи полностью разряжены, родительский блок автоматически выключается, и контакт с детским блоком прерывается.

Использование прибора

1 Установите оба блока в одной комнате, чтобы проверить соединение (Рис. 5). Детский блок необходимо установить на расстоянии не менее 1 метра/3 футов от родительского блока.

2 Нажмите кнопку включения/выключения для включения детского блока (Рис. 6). Индикатор питания загорится зеленым цветом.

3 Включите родительский блок, повернув регулятор громкости и установите громкость на необходимом уровне. (Рис. 7)
Индикатор питания загорится зеленым цветом.

► После установки соединения между двумя блоками, индикатор соединения на родительском блоке загорится зеленым цветом.

Примечание: Установление соединения занимает около 30 секунд.

Примечание: В случае отсутствия соединения индикатор соединения на родительском блоке мигает красным.

- 4** Детский блок необходимо устанавливать на расстоянии не менее 1 метра/ 3 футов от ребёнка (Рис. 8).
- 5** Установите родительский блок в пределах рабочего диапазона детского блока. Расстояние между блоками не должно быть меньше 1 метра / 3 футов. Дополнительные сведения о рабочем диапазоне см. в разделе “Рабочий диапазон” ниже (Рис. 9).

Рабочий диапазон

Диапазон работы радионяни на открытом пространстве составляет 200 метров/600 футов. В зависимости от окружающих объектов и других препятствующих распространению сигнала факторов диапазон может быть меньше.

Сухие препятствия	Толщина объекта	Потеря дальности
Дерево, пластик, гипсокартон, стекло (без металлов, проводов или свинца)	< 30 см/12"	0-10%
Кирпич, клееная фанера	< 30 см/12"	5-35%
Железобетон	< 30 см/12"	30-100%
Металлическая арматура или балки	< 1см/ 0,4"	90-100%
Металлические или алюминиевые листы	< 1см/ 0,4"	100%

Для мокрых или влажных препятствий: потеря дальности может составлять до 100%.

Функциональные особенности

Подтверждение в виде цифрового сигнала

На родительском блоке также расположен индикатор LINK, сообщающий о состоянии соединения между детским и родительским блоками. На родительском блоке можно установить звуковой сигнал, предупреждающий о разрыве соединения. При потере соединения раздается однократный звуковой сигнал и индикатор LINK загорается красным.

Чтобы активировать звуковой сигнал, выполните следующие действия.

- 1** Поверните фиксатор на четверть оборота (1) и снимите крышку, сдвинув ее вниз (2) (Рис. 4).
- 2** В отсеке для батарей установите переключатель сигнала разрыва соединения в положение “on” (вкл.).
- 3** Установите крышку на место. Чтобы отключить сигнал, установите переключатель сигнала разрыва соединения в положение “off” (выкл.).

Регулируемая чувствительность к звуковому сигналу

С помощью регулятора чувствительности микрофона можно установить необходимый уровень громкости, воспринимаемый детским блоком: низкий, средний или высокий. Если чувствительность микрофона установлена в положение “high” (высокий), детский блок фиксирует все звуки.

Примечание: Чувствительность детского блока для любой ситуации можно изменить только при наличии соединения между детским и родительским блоком.

1 С помощью регулятора чувствительности микрофона установите необходимый уровень чувствительности детского блока. Для проверки можно использовать собственный голос (Рис. 10).

При передаче сигнала индикатор на детском блоке горит желтым цветом.

Примечание: При работе от батарей количество энергии, потребляемой родительским блоком, больше, если установлен высокий уровень чувствительности микрофона.

Настройка громкости громкоговорителей

Громкость родительского блока настраивается в соответствии с окружающей обстановкой.

1 Поверните регулятор на правой стороне прибора и установите необходимый уровень громкости.

Примечание: При работе от батарей количество потребляемой энергии зависит от уровня громкости. Чем выше громкость, тем больше энергии потребляет блок.

Переключатель каналов

Обязательно проверяйте установку переключателя каналов внутри отсеков батарей обоих блоков на один и тот же канал. С помощью этих переключателей каналов можно устанавливать шестнадцать различных каналов. При возникновении помех от других радионянь, радиоустройств и т.п. выберите другой канал.

1 Откройте крышки отсеков батареек на обоих блоках.

Детский блок (Рис. 3)

- Поверните монетой фиксатор крышки и снимите крышку отсека.
- При наличии батареек извлеките их из отсека.
- С помощью маленькой отвертки установите переключатель каналов в необходимое положение.

Родительский блок (Рис. 4)

- Поверните фиксатор на четверть оборота (1) и снимите крышку, сдвинув ее вниз (2).
- При наличии батареек извлеките их из отсека.
- С помощью маленькой отвертки установите переключатель каналов в необходимое положение.

Примечание: Убедитесь, что оба блока настроены на один и тот же канал.

Если при проверке соединения не возникло помех, закройте отсеки для батарей на детском и родительском блоках.

Если помехи возникли, установите переключатель на другой канал и снова проверьте соединение.

При работе от непerezаряжаемых батарей замените их на новые и закройте отсеки.

Чистка и уход

Запрещается погружать детский или родительский блоки в воду или промывать их под струей воды.

Не используйте чистящий спрей и/или жидкие чистящие средства.

- Отключите детский и родительский блоки от сети при наличии подключения.
- Очищайте детский и родительский блоки влажной тканью.

Перед подключением к электросети убедитесь, что блоки полностью сухие.

- Для очистки адаптеров пользуйтесь сухой тканью.

Хранение

Если вы некоторое время не собираетесь пользоваться радионяней, извлеките батареи и поместите детский и родительский блоки и адаптеры на хранение. Храните родительский блок, детский блок и адаптеры в сухом, прохладном месте.

Замена

Детский блок

Батарейки

Неперезаряжаемые батареи детского блока можно заменять только четырьмя 1,5-вольтными батарейками R6 типа AA.

Примечание: Мы настоятельно рекомендуем использовать неперезаряжаемые батареи Philips.

Переходник-адаптер

Заменяйте адаптер детского блока только оригинальным адаптером. Новый адаптер можно заказать в торговой организации или в сервисном центре Philips.

- SBC CS0920/00W (только ЕС/Сингапур)
- SBC CS0920/05W (только Великобритания)
- 9VD200 (только Австралия/Новая Зеландия)

Родительский блок

Батарейки

Батареи родительского блока можно заменять только четырьмя 1,5-вольтными батареями R6 типа AA.

Примечание: Мы настоятельно рекомендуем использовать неперезаряжаемые батареи Philips.

Переходник-адаптер

Заменяйте адаптер родительского блока только оригинальным адаптером. Новый адаптер можно заказать в торговой организации или в сервисном центре Philips.

- SBC CS0920/00W (только ЕС/Сингапур)
- SBC CS0920/05W (только Великобритания)
- 9VD200 (только Австралия/Новая Зеландия)

Защита окружающей среды

- ▶ После окончания срока службы не выбрасывайте прибор вместе с бытовыми отходами. Передайте его в специализированный пункт для дальнейшей утилизации. Этим вы поможете защитить окружающую среду (Рис. 11).
- ▶ Батарейки содержат вещества, загрязняющие окружающую среду. Не выбрасывайте батарейки вместе с бытовыми отходами. Утилизируйте их в специальном пункте. После окончания срока службы прибора и передачи его для утилизации, батарейки необходимо извлечь. (Рис. 12)

Гарантия и обслуживание

Для получения дополнительной информации или обслуживания в случае возникновения неполадок обращайтесь на веб-сайт www.philips.com/AVENT или в центр поддержки потребителей Philips в вашей стране (номер телефона центра указан на гарантийном талоне). Если подобный центр в вашей стране отсутствует, обратитесь в местную торговую организацию Philips.

Часто задаваемые вопросы и ответы на них

Данная глава содержит наиболее часто задаваемые вопросы и ответы о приборе. Если ответ на ваш вопрос отсутствует, обратитесь в центр поддержки покупателей вашей страны.

Вопрос	Ответ
Почему не горит индикатор питания?	Возможно, штекер прибора не был правильно подключен к гнезду зарядного устройства, или адаптер неправильно вставлен в розетку электросети.
	Также возможно, что блоки не были включены. Для включения блоков нажмите кнопку включения/выключения на детском блоке и поверните регулятор громкости родительского блока.
	Если прибор работает от батарей, батареи могут быть разряжены. В этом случае замените батареи.
Почему индикатор питания мигает красным цветом?	Прибор работает от батарей и батареи разряжены. Замените батареи.
Почему родительский блок воспроизводит высокочастотный звук?	Блоки расположены слишком близко друг к другу. Установите расстояние между родительским и детским блоками не менее 1 метра/3 футов. Если это не помогло, возможно, установлен излишне высокий уровень громкости. Уменьшите громкость с помощью регулятора громкости.
Почему отсутствует звук?	Проверьте правильность установки уровня громкости. Если установлен слишком низкий уровень, установите более высокий с помощью регулятора громкости. Также следует проверить установку уровня чувствительности микрофона на детском блоке.
Почему индикатор соединения мигает красным цветом?	Индикатор мигает красным цветом из-за отсутствия соединения между блоками. Возможно, родительский блок находится вне рабочего диапазона детского блока или детский блок установлен на другой канал. Убедитесь, что детский и родительский блоки установлены на один и тот же канал. Если канал одинаковый, переместите родительский блок ближе к детскому блоку.
Почему родительский блок издает звуковой сигнал?	Этот сигнал сообщает о разрыве соединения. Возможно, родительский блок находится вне рабочего диапазона детского блока или детский блок установлен на другой канал. Убедитесь, что детский и родительский блоки установлены на один и тот же канал. Если канал одинаковый, переместите родительский блок ближе к детскому блоку.
Почему родительский блок передает крик ребёнка с задержкой?	Установите более высокий уровень чувствительности микрофона детского блока и/или переместите детский блок поближе к ребёнку. Убедитесь, что детский блок находится на расстоянии не менее 1 метра/3 футов от ребёнка.
Почему родительский блок слишком быстро реагирует на посторонние звуки?	Установите более низкий уровень чувствительности микрофона детского блока и/или переместите детский блок поближе к ребёнку.

Вопрос	Ответ
Почему соединение время от времени пропадает?	Возможно, родительский блок находится на границе рабочего диапазона. Переместите родительский блок ближе к детскому блоку, в место, где прием лучше. Следует учитывать, что при перемещении одного или обоих блоков повторное установление соединения занимает около 30 секунд.
Почему родительский блок передает помехи?	Если родительский блок находится вне рабочего диапазона детского блока могут возникнуть помехи. Родительский блок может находиться близко к окну и улавливать через него посторонние сигналы. Переместите прибор от окна. Помехи могут возникать, если родительский и детский блоки разделяет слишком много потолков или стен. Переместите родительский блок поближе к детскому блоку. Также старайтесь размещать родительский и детский блоки подальше от мобильных или беспроводных телефонов, радиоприемников и телевизоров.
Почему родительский блок принимает сигнал от посторонней радионяни?	Радионяня установлена на тот же канал, что и посторонняя радионяня, находящаяся поблизости. С помощью переключателя каналов установите оба блока на другой канал.
Почему радионяня не работает в указанном диапазоне 200 метров?	Указанный диапазон в 200 метров относится только к работе прибора на открытом пространстве. В помещении диапазон работы ограничен количеством и типом стен и/или потолков, разделяющих два прибора. Измените положение одного или обоих блоков для оптимизации передачи сигнала.
Что происходит при сбое электропитания?	Если питание прибора производится от сети и в прибор не были установлены батареи, при сбое электропитания соединение будет разорвано. Если в оба блока установлены батареи, прибор автоматически перейдет на питание от них, и в случае сбоя электропитания соединение не будет разорвано.

Úvod

Gratulujeme Vám k nákupu a vítajte v spoločnosti Philips AVENT! Ak chcete využiť všetky výhody zákaznickej podpory spoločnosti Philips AVENT, zaregistrujte kúpený výrobok na www.philips.com/welcome.

Spoločnosť Philips AVENT uvádza na trh praktické a spoľahlivé výrobky, ktoré poskytnú rodičom potrebnú istotu. Toto zariadenie Philips AVENT slúži na monitorovanie Vášho dieťaťa bez ohľadu na to, v ktorej časti domu alebo jeho okolia práve ste. Šesťnásť rôznych komunikačných kanálov zaručuje minimálne rušenie a bezpečný príjem signálu, čím Vám umožní zostať v nepretržitom kontakte s Vaším dieťaťom.

Opis zariadenia (Obr. 1)

A Detská jednotka

- 1 Mikrofón
- 2 Konektor pre malú koncovku
- 3 Vypínač
- 4 Kontrolné svetlo zapnutia
- 5 Ovládanie citlivosti mikrofónu
- 6 Volič kanála
- 7 Adaptér
- 8 Malá koncovka
- 9 Kryt priečinka na batérie

B Rodičovská jednotka

- 1 Adaptér
- 2 Malá koncovka
- 3 Kontrolné svetlo zapnutia
- 4 Reproduktor
- 5 Kontrolné svetlo pripojenia
- 6 Ovládanie hlasitosti s vypínačom
- 7 Vypínač signalizácie problémov v spojení
- 8 Kryt priečinka na batérie
- 9 Volič kanála

Dôležité

Pred použitím zariadenia si pozorne prečítajte tieto pokyny na použitie a odložte si ich na neskoršie použitie.

Nebezpečenstvo

- Zariadenie na monitorovanie dieťaťa nesmiete ponárať do vody ani inej tekutiny.

Varovanie

- Predtým, ako pripojíte zariadenia k sieti, sa presvedčte, či je napätie uvedené na adaptéroch detskej jednotky a rodičovskej jednotky rovnaké ako napätie v miestnej sieti.
- Na pripojenie detskej a rodičovskej jednotky do siete používajte iba dodané adaptéry.
- Súčasťou adaptérov je transformátor. Neoddelujte adaptéry, aby ste ich vymenili za iný typ zástrčky, pretože tým vznikne nebezpečná situácia.
- Ak sú adaptéry poškodené, vždy ich nechajte vymeniť za niektorý z originálnych typov, aby ste predišli nebezpečenstvu. Správny typ adaptéra je uvedený v kapitole „Výmena“.
- Zariadenie na monitorovanie dieťaťa nikdy neukladajte na vlhké miesta ani do blízkosti vody.
- Aby ste predišli úrazu elektrickým prúdom, okrem priečinkov na batérie neotvárajte puzdro detskej ani rodičovskej jednotky.
- Toto zariadenie nesmú používať osoby (vrátane detí), ktoré majú obmedzené telesné, zmyslové alebo mentálne schopnosti, alebo ktoré nemajú dostatok skúseností a znalostí, pokiaľ nie sú pod

dozorom alebo im nebolo vysvetlené používanie tohto zariadenia osobou zodpovednou za ich bezpečnosť.

- Deti musia byť pod dozorom, aby sa nehrali so zariadením.
- Zariadenie na monitorovanie dieťaťa má v otvorenom priestore dosah signálu až do 200 metrov/600 stôp. V závislosti od okolia a iných rušivých faktorov môže byť dosah signálu menší (pozrite si časť „Prevádzkový dosah“ v kapitole „Použitie zariadenia“).

Výstraha

- Zariadenie používajte a odkladajte pri teplote okolia medzi 10°C až 40°C.
- Detskú ani rodičovskú jednotku nevystavujte extrémnemu chladu alebo teplote, prípadne priamemu slnečnému svetlu.
- Uistite sa, že detská jednotka a kábel adaptéra sú vždy mimo dosahu dieťaťa (aspoň vo vzdialenosti 1 m/3 stopy).
- Detskú jednotku nikdy nepoložte do detskej postielky alebo detskej záhradky.
- Rodičovskú jednotku a detskú jednotku nikdy ničím nezakrývajte (napr. uterákom alebo prikrývkou).
- Do detskej jednotky vždy vkladajte nenabíjateľné batérie správneho typu.

Všeobecné informácie

- Toto zariadenie je navrhnuté ako pomocník pri monitorovaní dieťaťa. Nie je náhradou za zodpovednú a riadnu kontrolu zo strany dospeléj osoby a ani ho tak nemôžete používať.

Elektromagnetické polia (EMF)

Toto zariadenie značky Philips AVENT vyhovuje všetkým normám týkajúcich sa elektromagnetických polí (EMF). Ak budete zariadenie používať správne a v súlade s pokynmi v tomto návode na použitie, bude jeho použitie bezpečné podľa všetkých v súčasnosti známych vedeckých poznatkov.

Príprava na použitie

Detská jednotka

Detská jednotka môže byť napájaná zo siete alebo z nenabíjateľných batérií. Aj v prípade, že jednotku napájate zo siete, Vám odporúčame, aby ste do nej vložili nenabíjateľné batérie. Zaručíte tak automatické zálohovanie napájania v prípade výpadku prúdu.

Prevádzka na elektrický prúd

- 1** Koncovku zariadenia pripojte do detskej jednotky a adaptér vložte do sieťovej zásuvky (Obr. 2).

Rozsvieti sa červené kontrolné svetlo napájania.

Prevádzka na nenabíjateľné batérie

Detskú jednotku napájajú štyri 1,5-voltové batérie typu R6 AA (nie sú súčasťou balenia). Výslovne odporúčame, aby ste používali batérie Philips LR6 PowerLife.

Nepoužívajte nabíjateľné batérie, pretože detská jednotka nemá funkciu nabíjania.

Odpojte detskú jednotku a pri vkladaní nenabíjateľných batérií sa uistite, že sú Vaše ruky a jednotka suché.

- 1** Pomocou mince otočte uzamykacím gombíkom a otvorte priečinok na batérie. Potom zložte kryt (Obr. 3).

- 2** Vložte štyri nenabíjateľné batérie.

Uistite sa, že ste batérie vložili v súlade s označením + a - pólom.

- 3** Kryt priečinka na batérie namontujte späť na pôvodné miesto a otočením uzamykacieho gombíka pomocou mince ho uzatvorte.

Keď sú batérie takmer vybité, na detskej jednotke začne načerveno blikať kontrolné svetlo napájania.

Rodičovská jednotka

Rodičovská jednotka môže byť napájaná zo siete alebo z nenabíjateľných batérií. Aj v prípade, že jednotku napájate zo siete, Vám odporúčame, aby ste do nej vložili nenabíjateľné batérie. Zaručíte tak automatické zálohovanie napájania v prípade výpadku prúdu.

Prevádzka na elektrický prúd

1 Koncovku zariadenia pripojte do rodičovskej jednotky a adaptér vložte do sieťovej zásuvky. Rozsvieti sa červené kontrolné svetlo napájania.

Prevádzka na nenabíjateľné batérie

Rodičovskú jednotku napájajú štyri 1,5-voltové batérie typu R6 AA (nie sú súčasťou balenia). Výslovne odporúčame, aby ste používali batérie Philips LR6 PowerLife. Nepoužívajte nabíjateľné batérie, pretože rodičovská jednotka nemá funkciu nabíjania.

Odpojte rodičovskú jednotku a pri vkladaní nenabíjateľných batérií sa uistite, že Vaše ruky a jednotka sú suché.

- 1** Uzamykací gombík otočte o štvrt' otáčky (1) a kryt priečinka na batérie posuňte nadol, aby ste ho demontovali (2) (Obr. 4).
- 2** Vložte štyri nenabíjateľné batérie. Uistite sa, že ste batérie vložili v súlade s označením + a - pólov.
- 3** Namontujte späť kryt priečinka na batérie.

Poznámka: Keď sú batérie takmer vybité, na rodičovskej jednotke začne načerveno blikať kontrolné svetlo napájania.

Poznámka: Ak sú batérie úplne vybité, rodičovská jednotka sa automaticky vypne a stratí sa jej spojenie s detskou jednotkou.

Použitie zariadenia

- 1** Obidve jednotku umiestnite do rovnakej miestnosti, aby ste otestovali spojenie (Obr. 5). Uistite sa, že sa detská jednotka nachádza vo vzdialenosti aspoň 1 meter/3 stopy od rodičovskej jednotky.
- 2** Stlačte vypínač, aby ste zapli detskú jednotku (Obr. 6). Kontrolné svetlo napájania bude neprerušovane svietiť nazeleno.
- 3** Otočte ovládačom hlasitosti, aby ste zapli rodičovskú jednotku a nastavte hlasitosť na požadovanú úroveň. (Obr. 7) Kontrolné svetlo napájania bude neprerušovane svietiť nazeleno.
- 4** Po vytvorení spojenia medzi jednotkami začne na rodičovskej jednotke svietiť nazeleno kontrolné svetlo spojenia.

Poznámka: Vytvorenie spojenia trvá približne 30 sekúnd.

Poznámka: Ak spojenie nemožno nadviazať, kontrolné svetlo pripojenia bude na rodičovskej jednotke blikať načerveno.

- 4** Detskú jednotku umiestnite aspoň 1 meter/3 stopy od dieťaťa (Obr. 8).
- 5** Rodičovskú jednotku umiestnite v dosahu detskej jednotky. Uistite sa, že sa nachádza aspoň 1 meter/3 stopy od detskej jednotky. Ďalšie informácie o dosahu nájdete v časti „Prevádzkový dosah“ (Obr. 9).

Prevádzkový dosah

Dosah zariadenia na monitorovanie dieťaťa je v otvorenom priestore 200 metrov/600 stôp. V závislosti od prostredia a iných rušivých faktorov môže byť tento dosah menší.

Suché materiály	Hrúbka materiálov	Skrátenie dosahu
Drevo, omietka, lepenka, sklo (bez kovu, káblov alebo vedenia)	< 30 cm/12 palcov	0-10%
Tehla, preglejka	< 30 cm/12 palcov	5-35%
Železobetón	< 30 cm/12 palcov	30-100%
Kovové mriežky alebo tyče	< 1 cm/0,4 palca	90-100%
Kovové alebo hliníkové platne	< 1 cm/0,4 palca	100%

Pri mokrých a vlhkých materiáloch môže byť skrátenie dosahu až 100%.

Vlastnosti

Potvrdenie digitálneho signálu

Rodičovská jednotka je vybavená kontrolným svetlom spojenia, ktoré Vás neustále informuje o stave spojenia medzi detskou a rodičovskou jednotkou. Na rodičovskej jednotke môžete nastaviť upozornenie, ktoré Vás bude informovať o prípadnej strate spojenia. Pri výskyte upozornenia zaznie zreteľné pípnutie a kontrolné svetlo spojenia bude v prípade straty spojenia svietiť načerveno.

Aktivácia upozornenia na rodičovskej jednotke:

- 1** Uzamykací gombík otočte o štvrt' otáčky (1) a kryt priečinka na batérie posuňte nadol, aby ste ho demontovali (2) (Obr. 4).
- 2** Vypínač signalizácie problémov so spojením v priečinku na batérie nastavte do polohy zapnuté („on“).
- 3** Namontujte späť kryt priečinka na batérie.
Signalizáciu problémov so spojením vypnete nastavením vypínača signalizácie do polohy vypnuté („off“).

Nastaviteľná citlivosť zvuku

Ovládačom citlivosti mikrofónu na detskej jednotke môžete nastaviť požadovanú intenzitu zvuku, ktorú sníma detská jednotka: nízku, strednú alebo vysokú. Ak je citlivosť mikrofónu nastavená na vysokú (high) úroveň, detská jednotka zachytáva všetky zvuky.

Poznámka: Citlivosť detskej jednotky môžete zmeniť len vtedy, ak sa vytvorilo spojenie medzi detskou a rodičovskou jednotkou.

- 1** Ovládacím prvkom citlivosti mikrofónu nastavte na požadovanú úroveň citlivosti mikrofónu detskej jednotky. Pri nastavovaní citlivosti sa riadte intenzitou vlastného hlasu (Obr. 10).
Pri prenose zvuku kontrolné svetlo napájania na detskej jednotke zmení farbu na žltú.

Poznámka: Ak je počas prevádzky na batérie citlivosť nastavená na vysokú úroveň, rodičovská jednotka bude spotrebúvať viac energie.

Reproduktor s možnosťou nastavenia hlasitosti

Hlasitosť rodičovskej jednotky môžete meniť, aby ste ju mohli prispôsobiť okolitému prostrediu.

- 1** Na pravej strane rodičovskej jednotky otáčajte otočný volič hlasitosti, až kým nedosiahnete požadovanú hlasitosť reproduktora rodičovskej jednotky.

Poznámka: Ak je počas prevádzky na batérie hlasitosť nastavená na vysokú úroveň, rodičovská jednotka bude spotrebúvať viac energie.

Volič kanála

Uistite sa, že voliče komunikačného kanála, ktoré sú umiestnené v priečinkoch pre batérie, sú v oboch jednotkách nastavené na rovnaký kanál. Pomocou týchto voličov môžete vybrať jeden zo šiestnástich kanálov. Ak je niektorý z kanálov rušený iným zariadením na monitorovanie dieťaťa, rádioprijímačom a pod., zvolte iný kanál.

1 Otvorte krytu priečinkov na batérie na oboch jednotkách.

D Detská jednotka: (Obr. 3)

- Pomocou mince otočte uzamykacím gombíkom a demontujte kryt.
- Ak sa v priečinku na batérie nachádzajú batérie, vyberte ich.
- Pomocou malého plochého skrutkovača nastavte volič kanálov do želanej polohy.

D Rodičovská jednotka: (Obr. 4)

- Uzamykací gombík otočte o štvrt' otáčky (1) a kryt priečinka na batérie posuňte nadol, aby ste ho demontovali (2).
- Ak sa v priečinku na batérie nachádzajú batérie, vyberte ich.
- Pomocou malého plochého skrutkovača nastavte volič kanálov do želanej polohy.

Poznámka: Uistite sa, že obe jednotky sú nastavené na rovnaký kanál.

Ak test spojenia prebehne bez rušenia, zatvorte priečinky pre batérie na detskej a rodičovskej jednotke.

V prípade výskytu rušenia zvolte iný komunikačný kanál a test spojenia zopakujte.

Ak sú jednotky napájané z nenabíjateľných batérií, batérie vymeňte a zatvorte priečinky na batérie.

Čistenie a údržba

Rodičovskú ani detskú jednotku nesmiete ponárať do vody ani čistiť pod tečúcou vodou.

Nepoužívajte čistiaci sprej ani tekuté čistiace prostriedky.

- Odpojte detskú jednotku alebo rodičovskú jednotku, ak sú pripojené k sieti.
- Rodičovskú a detskú jednotku očistite navlhčenou tkaninou.

Pred pripojením jednotiek k sieti sa uistite, že sú suché.

- Adaptéry očistite suchou tkaninou.

Odkladanie

Keď zariadenie na monitorovanie dieťaťa nebudete nejaký čas používať, vyberte nenabíjateľné batérie z detskej jednotky a rodičovskej jednotky. Rodičovskú jednotku, detskú jednotku a adaptéry odložte na chladné a suché miesto.

Výmena

Detská jednotka

Batérie

Nenabíjateľné batérie detskej jednotky vždy nahradte štyrmi 1,5 V batériami R6 typu AA.

Poznámka: Výslovne odporúčame, aby ste používali nenabíjateľné batérie značky Philips.

Adaptér

Adaptér detskej jednotky vymeňte len za adaptér originálneho typu. Nový adaptér si môžete objednať od svojho predajcu alebo v Servisnom centre spoločnosti Philips:

- SBC CS0920/00W (len EU/SGP)

- SBC CS0920/05W (len VB)
- 9VD200 (len AU/NZ)

Rodičovská jednotka

Batérie

Nenabíjateľné batérie rodičovskej jednotky vždy nahraďte len štyrmi 1,5 V batériami R6 typu AA.

Poznámka: Výslovné odporúčame, aby ste používali nenabíjateľné batérie značky Philips.

Adaptér

Adaptér rodičovskej jednotky vymeňte len za adaptér originálneho typu. Nový adaptér si môžete objednať od svojho predajcu alebo v Servisnom centre spoločnosti Philips.

- SBC CS0920/00W (len EU/SGP)
- SBC CS0920/05W (len VB)
- 9VD200 (len AU/NZ)

Životné prostredie

- Zariadenie na konci jeho životnosti neodhadzujte spolu s bežným komunálnym odpadom, ale kvôli recyklácii ho odovzdajte na mieste oficiálneho zberu. Touto činnosťou pomôžete chrániť životné prostredie (Obr. 11).
- Batérie obsahujú látky, ktoré môžu znečistiť životné prostredie. Batérie neodhadzujte spolu s bežným domovým odpadom, ale odovzdajte ich na mieste oficiálneho zberu. Pred likvidáciou zariadenia alebo skôr, ako ho zanesiete na miesto oficiálneho zberu, vždy vyberte batérie. (Obr. 12)

Záruka a servis

Ak potrebujete servis, informácie alebo máte problém, navštívte webovú stránku spoločnosti Philips AVENT na www.philips.com/AVENT, alebo sa obráťte na Stredisko starostlivosti o zákazníkov spoločnosti Philips vo Vašej krajine (telefónne číslo Centra nájdete v priloženom celosvetovo platnom záručnom liste). Ak sa vo Vašej krajine toto stredisko nenachádza, obráťte sa na miestneho predajcu výrobkov Philips.

Často kladené otázky

Táto kapitola obsahuje najčastejšie kladené otázky o zariadení. Ak ste nenašli odpoveď na svoju otázku, kontaktujte Centrum starostlivosti o zákazníka vo Vašej krajine.

Otázka	Odpoveď
Prečo nie je kontrolné svetlo napájania zapnuté?	Možno ste správne nezasunuli koncovku zariadenia do zásuvky na jednotke alebo adaptér nie je riadne pripojený do siete.
	Možno ste tiež zabudli zapnúť jednotku. Stlačte vypínač na detskej jednotke a otočte ovládacím prvkom hlasitosti na rodičovskej jednotke smerom nadol, aby ste jednotku zapli.
	Ak sú jednotky napájané z batérií, batérie môžu byť takmer vybité. V tom prípade vymeňte batérie.
Prečo blíka červené kontrolné svetlo napájania?	Jednotky sú napájané z batérií a tie sú takmer vybité. Vymeňte batérie.

Otázka	Odpoveď
Prečo rodičovská jednotka vydáva vysoký tón?	Jednotky sú blízko pri sebe. Rodičovskú jednotku premiestnite do vzdialenosti aspoň 1 meter/3 stopy od detskej jednotky. Ak to nepomôže, nastavili ste príliš vysokú hlasitosť. Ovládač hlasitosti nastavte na nižšiu úroveň.
Prečo rodičovská jednotka nevydáva žiaden zvuk?	Skontrolujte, či je nastavená dostatočná hlasitosť. Ak je hlasitosť priveľmi nízka, nastavte vyššiu hlasitosť. Skontrolujte tiež citlivosť mikrofónu na detskej jednotke.
Prečo bliká kontrolné svetlo spojenia načerveno?	Svetlo bliká načerveno, pretože nefunguje spojenie medzi jednotkami. Rodičovská jednotka môže byť mimo dosahu detskej jednotky alebo môže byť nastavená na odlišný kanál ako detská jednotka. Skontrolujte, či je rodičovská a detská jednotka nastavená na rovnaký kanál. Ak áno, rodičovskú jednotku premiestnite bližšie k detskej jednotke.
Prečo rodičovská jednotka pípa?	Zvuk, ktorý počujete, predstavuje upozornenie spojenia. Signalizuje výskyt problému v spojení medzi detskou a rodičovskou jednotkou. Rodičovská jednotka môže byť mimo dosah detskej jednotky alebo môže byť nastavená na odlišný kanál ako detská jednotka. Skontrolujte, či je rodičovská a detská jednotka nastavená na rovnaký kanál. Ak áno, rodičovskú jednotku premiestnite bližšie k detskej jednotke.
Prečo rodičovská jednotka reaguje na zvuky vydávané dieťaťom príliš pomaly?	Citlivosť mikrofónu na detskej jednotke nastavte na vyššiu úroveň a/ alebo ju premiestnite bližšie k dieťaťu. Uistite sa, že sa detská jednotka nachádza aspoň 1 meter/3 stopy od dieťaťa.
Prečo rodičovská jednotka reaguje priveľmi citlivo na iné zvuky?	Citlivosť mikrofónu na detskej jednotke nastavte na nižšiu úroveň a/alebo ju premiestnite bližšie k dieťaťu.
Prečo sa spojenie z času na čas stráca?	Rodičovská jednotka sa pravdepodobne nachádza na hranici dosahu signálu detskej jednotky. Rodičovskú jednotku umiestnite bližšie k detskej jednotke na miesto, kde bude lepší príjem. Uvedomte si, že trvá približne 30 sekúnd, kým sa po premiestnení jednej alebo oboch jednotiek znovu nadviaže spojenie.
Prečo je zvuk rodičovskej jednotky rušený?	Ak sa rodičovská jednotka nachádza mimo dosahu detskej jednotky, môžete zaznamenať rušenie. Rodičovská jednotka môže byť príliš blízko pri okne a zachytávať rušivé signály cez toto okno. Rodičovskú jednotku premiestnite ďalej od okna.
	Rušenie môže tiež byť spôsobené väčším počtom prekážok (stien, stropov) medzi rodičovskou a detskou jednotkou. Rodičovskú jednotku premiestnite bližšie k detskej jednotke. Uistite sa tiež, že sa jednotky nachádzajú v dostatočnej vzdialenosti od mobilných, prípadne prenosných telefónov, rádii, prípadne televízorov.

Otázka	Odpoveď
Prečo rodičovská jednotka zachytáva signály z iného zariadenie na monitorovanie dieťaťa?	Zariadenie na monitorovanie dieťaťa je nastavené na rovnaký komunikačný kanál ako iné zariadenie na monitorovanie dieťaťa v susedstve. Obe jednotky nastavte pomocou voliča kanálov na odlišný kanál.
Prečo signál zo zariadenie na monitorovanie dieťaťa nedosahuje uvedený dosah 200 metrov?	Uvedený dosah 200 metrov platí len v otvorenom priestore. V dome je dosah obmedzený počtom a typmi stien a/alebo stropov medzi jednotkami. Zmeňte polohu jednej alebo oboch jednotiek, aby ste optimalizovali dosah.
Čo sa stane, ak vypadne elektrický prúd?	Ak používate jednotky, ktoré sú napájané zo siete a nedali ste do nich batérie, pri vypadnutí prúdu sa spojenie stratí. Ak sú v oboch jednotkách batérie, v prípade výpadku prúdu sa automaticky prepnú na napájanie z batérií a spojenie sa nestratí.

Uvod

Čestitamo vam za nakup in dobrodošli pri Philips AVENT! Če želite popolnoma izkoristiti podporo, ki jo nudi Philips AVENT, registrirajte izdelek na www.philips.com/welcome.

Philips AVENT je predan proizvodnji skrbnih in zanesljivih izdelkov, ki nudijo staršem vsa potrebna zagotovila za kakovostno delovanje. Ta otroška varuška Philips AVENT vam omogoča, da slišite otroka, kjerkoli ste, znotraj in na prostem. Možnost izbire šestnajstih različnih kanalov zagotavlja delovanje z najnižjo možno stopnjo motenj in zanesljiv sprejem, kar vam omogoča, da ste v stalnem stiku s svojim otrokom.

Splošni opis (Sl. 1)

A Otroška enota

- 1 Mikrofon
- 2 Vtičnica za majhen vtikač
- 3 Gumb za vklop/izklop
- 4 Indikator vklopa
- 5 Regulator občutljivosti mikrofona
- 6 Izbiralnik kanalov
- 7 Adapter
- 8 Manjši vtikač
- 9 Pokrov prostora za baterijo

B Starševska enota

- 1 Adapter
- 2 Manjši vtikač
- 3 Indikator vklopa
- 4 Zvočnik
- 5 Indikator povezave
- 6 Regulator glasnosti s funkcijo vklopa/izklopa
- 7 Stikalo za alarm povezave
- 8 Pokrov prostora za baterijo
- 9 Izbiralnik kanalov

Pomembno

Pred uporabo aparata natančno preberite ta navodila za uporabo in jih shranite za poznejšo uporabo.

Nevarnost

- Otroške varuške ali njenih delov ne potaplajte v vodo ali katerokoli drugo tekočino.

Opozorilo

- Pred priključitvijo aparata na električno omrežje preverite, ali navedena napetost na adapterjih otroške in starševske enote ustreza napetosti električnega omrežja.
- Za priključitev otroške in starševske enote na električno omrežje uporabite samo priložena adapterja.
- Adapterja vsebujeta transformator. Odstranitev in zamenjava adapterjev z drugimi nista dovoljeni, saj lahko to povzroči nevarnost.
- Če so adapterji poškodovani, jih zamenjajte samo z originalnimi, da se izognete nevarnosti. Ustrezne tipe si oglejte v poglavju "Zamenjava".
- Otroške varuške ne uporabljajte v vlažnih prostorih ali blizu vode.
- Ne odpirajte ohišij otroške ali starševske enote, razen prostora za baterijo, da ne bi prišlo do električnega udara.

- Aparat ni namenjen, da bi ga uporabljali otroci in osebe z zmanjšanimi fizičnimi ali psihičnimi sposobnostmi in tudi ne osebe s pomanjkljivimi izkušnjami in znanjem, razen če jih pri uporabi nadzoruje ali jim svetuje oseba, ki je odgovorna za njihovo varnost.
- Otroci naj se ne igrajo z aparatom.
- Otroška varuška ima na prostem doseg delovanja 200 metrov. Odvisno od okolice in drugih motečih dejavnikov je lahko doseg delovanja manjši (oglejte si razdelek "Doseg delovanja" v poglavju "Uporaba aparata").

Pozor

- Aparat uporabljajte in shranjujte pri temperaturi med 10 °C in 40 °C.
- Otroške in starševske enote ne izpostavljajte mrazu, vročini ali neposredni sončni svetlobi.
- Otroška enota in kabel ne smeta biti na dosegu otroka (vsaj 1 meter stran).
- Otroške enote ne polagajte v otrokovo posteljo ali stajico.
- Ne pokrivajte starševske in otroške enote (na primer z brisačo ali odejo).
- V otroško in starševsko enoto vstavljajte samo ustrezne baterije, ki niso namenjene ponovnemu polnjenju.

Splošno

- Otroška varuška je namenjena pomoči in kot taka ne predstavlja nadomestila za odgovoren in ustrezen nadzor s strani odraslih oseb.

Elektromagnetna polja (EMF)

Ta aparat Philips AVENT ustreza vsem standardom glede elektromagnetnih polj (EMF). Če z aparatom ravnate pravilno in v skladu z navodili v tem priročniku, je njegova uporaba glede na danes veljavne znanstvene dokaze varna.

Priprava za uporabo

Otroška enota

Otroška enota je lahko priključena na električno omrežje ali pa deluje na baterije, ki jih ni mogoče polniti. Tudi če bo enota priključena na električno omrežje, svetujemo, da vstavite baterije. To zagotavlja napajanje tudi v primeru izpada električne napetosti.

Delovanje z napajanjem z električnega omrežja

1 Vtikač aparata vstavite v otroško enoto, adapter pa vključite v omrežno vtičnico (Sl. 2). Zasveti indikator vklopa.

Delovanje na baterije, ki jih ni mogoče polniti

Otroška enota za delovanje potrebuje štiri 1,5V baterije R6 AA (niso priložene). Priporočamo uporabo Philipsovih baterij LR6 PowerLife.

Ne uporabljajte akumulatorskih baterij, ker jih z otroško enoto ni mogoče polniti.

Ko vstavljate baterije, ki jih ni mogoče polniti, izključite otroško enoto, pri čemer morajo biti vaše roke in enota popolnoma suhe.

1 Pokrov prostora za baterije odprite tako, da s kovancem obrnete gumb za zaklep. Nato odstranite pokrov (Sl. 3).

2 Vstavite štiri baterije, ki jih ni mogoče polniti. Prepričajte se, da sta pola baterij + in - pravilno usmerjena.

3 Namestite nazaj pokrov prostora za baterije in ga zaprite tako, da s kovancem obrnete gumb za zaklep.

Ko so baterije skoraj prazne, indikator napajanja na otroški enoti utripa rdeče.

Starševska enota

Starševska enota je lahko priključena na električno omrežje ali pa deluje na baterije, ki jih ni mogoče polniti. Tudi če bo enota priključena na električno omrežje, svetujemo, da vstavite baterije. To zagotavlja napajanje tudi v primeru izpada električne napetosti.

Delovanje z napajanjem z električnega omrežja

1 Vtičaka aparata vstavite v starševsko enoto, adapter pa vključite v omrežno vtičnico. Zasveti indikator vklopa.

Delovanje na baterije, ki jih ni mogoče polniti

Starševska enota potrebuje za delovanje štiri 1,5V baterije R6 AA (niso priložene). Priporočamo uporabo Philipsovih baterij LR6 PowerLife.

Ne uporabljajte akumulatorskih baterij, ker jih s starševsko enoto ni mogoče polniti.

Ko vstavljate baterije, ki jih ni mogoče polniti, izključite starševsko enoto, pri čemer morajo biti vaše roke in enota popolnoma suhe.

1 Obrnite gumb za zaklep za četrto obrata (1) in pomaknite pokrov baterije navzdol, da ga odstranite (2) (Sl. 4).

2 Vstavite štiri baterije, ki jih ni mogoče polniti. Pripravite se, da sta pola baterij + in - pravilno usmerjena.

3 Namestite nazaj pokrov prostora za baterije.

Opomba: Ko so baterije skoraj prazne, indikator napajanja na starševski enoti utripa rdeče.

Opomba: Ko so baterije popolnoma prazne, se starševska enota samodejno izklopi in prekine povezavo z otroško enoto.

Uporaba aparata

1 Obe enoti postavite v isti prostor, da preizkusite povezavo (Sl. 5). Poskrbite, da bo otroška enota vsaj 1 meter od starševske enote.

2 Za vklop otroške enote pritisnite gumb za vklop/izklop (Sl. 6). Indikator vklopa zasveti zeleno.

3 Obrnite regulator glasnosti za vklop starševske enote in nastavitev glasnosti na zeleno stopnjo. (Sl. 7)

Indikator vklopa zasveti zeleno.

4 Ko je med enotama vzpostavljena povezava, indikator povezave na starševski enoti zasveti zeleno.

Opomba: Vzpostavitev povezave traja približno 30 sekund.

Opomba: Če povezave ni mogoče vzpostaviti, indikator povezave na starševski enoti utripa rdeče.

4 Otroško enoto postavite vsaj 1 meter stran od otroka (Sl. 8).

5 Starševsko enoto postavite v doseg delovanja otroške enote. Poskrbite, da bo vsaj 1 meter stran od otroške enote. Za dodatne informacije o dosegu delovanja si oglejte poglavje 'Doseg delovanja' spodaj (Sl. 9).

Doseg delovanja

Doseg delovanja otroške varuške na prostem je 200 metrov. Glede na okolico in druge moteče dejavnike je lahko doseg delovanja manjši.

Suhi materiali	Debelina materiala	Zmanjšanje obsega
Les, mavec, lepenka, steklo (brez kovine, žic ali svinca)	< 30 cm	0-10 %
Opeka, vezane plošče	< 30 cm	5-35 %
Ojačani beton	< 30 cm	30-100 %
Kovinske mreže ali drogi	< 1 cm	90-100 %
Kovinske ali aluminijaste plošče	< 1 cm	100 %

Pri mokrih ali vlažnih materialih se lahko obseg zmanjša do 100 %.

Funkcije

Potrditev z digitalnim signalom

Starševska enota je opremljena z indikatorjem povezave, ki nenehno prikazuje stanje povezave med otroško in starševsko enoto. Na starševski enoti lahko nastavite opozorilo, ki vas opozori v primeru prekinjene povezave. Če je povezava prekinjena, se predvaja zvočni signal, indikator povezave pa utripa rdeče.

Če želite aktivirati opozorilo na starševski enoti:

- 1 Obrnite gumb za zaklep za četrto obrata (1) in pomaknite pokrov baterije navzdol, da ga odstranite (2) (Sl. 4).
 - 2 Stikalo za alarm povezave v prostoru za baterije nastavite v položaj "vklopljeno".
 - 3 Namestite nazaj pokrov prostora za baterije.
- Če želite izklopiti opozorilo, nastavite stikalo za alarm povezave v položaj "izklopljeno".

Prilagodljiva občutljivost na zvok

Z regulatorjem občutljivosti mikrofona na otroški enoti lahko nastavite zvok, ki ga zazna otroška enota, na zeleno stopnjo: nizko, srednje ali visoko. Ko je občutljivost mikrofona nastavljena na "visoko", otroška enota zazna vse zvoke.

Opomba: Občutljivost otroške enote je mogoče spremeniti samo pri vzpostavljeni povezavi med otroško in starševsko enoto.

- 1 Z regulatorjem občutljivosti mikrofona nastavite občutljivost mikrofona otroške enote na zeleno stopnjo. Pri nastavitvi ustrezne občutljivosti si lahko pomagate s svojim glasom (Sl. 10). Ob prenosu zvoka indikator vklopa na otroški enoti zasveti rumeno.

Opomba: Če je občutljivost nastavljena na visoko raven pri delovanju na baterije, porabi starševska enota zaradi tega več energije.

Nastavljiva glasnost zvočnika

Glasnost starševske enote lahko spreminjate in se tako prilagodite okolici.

- 1 Želena glasnost starševske enote nastavite z uporabo gumba za nastavev glasnosti na desni strani starševske enote.

Opomba: Če je glasnost nastavljena na visoko raven pri delovanju na baterije, porabi starševska enota zaradi tega več energije.

Izbiralnik kanalov

Izbiralnika kanalov v prostorih za baterije obeh enot morata biti nastavljena na isti kanal. Z izbiralnikom kanalov lahko izberete šestnajst različnih kanalov. Če se pojavljajo motnje zaradi drugih otroških varuš, radijskih naprav itd., izberite drug kanal.

1 Odprite pokrova prostorov za baterije obeh enot.

D Otroška enota: (Sl. 3)

- S kovancem obrnite gumb za zaklep in odstranite pokrov.
- Odstranite baterije iz prostora za baterije, če so prisotne.
- Z majhnim ravnim izvijačem obrnite izbiralnik kanalov v zelen položaj.

D Starševska enota: (Sl. 4)

- Obrnite gumb za zaklep za četrt obrata (1) in pomaknite pokrov baterije navzdol, da ga odstranite (2).
- Odstranite baterije iz prostora za baterije, če so prisotne.
- Z majhnim ravnim izvijačem obrnite izbiralnik kanalov v zelen položaj.

Opomba: Poskrbite, da sta obe enoti nastavljeni na isti kanal.

Če med preizkušanjem povezave ni nobenih motenj, zaprite prostor za baterije otroške in starševske enote.

Če pa se motnje pojavijo, nastavite izbiralnik na drug kanal in znova preizkusite povezavo.

Če delujeta enoti na baterije, ki jih ni mogoče polniti, zamenjajte baterije in zaprite prostora za baterije.

Čiščenje in vzdrževanje

Starševske ali otroške enote ne potaplajte v vodo in ju ne čistite pod tekočo vodo.

Ne uporabljajte čistilnega razpršila ali tekočih čistil.

- Otroško ali starševsko enoto izključite iz električnega omrežja.
- Starševsko in otroško enoto čistite z vlažno krpo.

Poskrbite, da sta enoti suhi, preden ju priključite na električno omrežje.

- Adapterje očistite s suho krpo.

Shranjevanje

Če otroške varuške ne boste uporabljali dlje časa, iz otroške in starševske enote odstranite baterije, ki jih ni mogoče polniti. Starševsko enoto, otroško enoto in adapterje hranite na hladnem in suhem mestu.

Zamenjava

Otroška enota

Baterije

Baterije, ki jih ni mogoče polniti, otroške enote zamenjajte samo s štirimi baterijami 1,5 V R6 AA.

Opomba: Močno priporočamo, da uporabljate Philipsove baterije, ki jih ni mogoče polniti.

Adapter

Adapter otroške enote zamenjajte samo z originalnim. Nov adapter lahko naročite pri prodajalcu ali na Philipsovem servisnem centru:

- SBC CS0920/00W (samo EU/SGP)
- SBC CS0920/05W (samo Združeno kraljestvo)
- 9VD200 (samo AU/NZ)

Starševska enota

Baterije

Baterije starševske enote, ki jih ni mogoče polniti, zamenjajte samo s štirimi baterijami 1,5V R6 AA.

Opomba: Močno priporočamo, da uporabljate Philipsove baterije, ki jih ni mogoče polniti.

Adapter

Adapter starševske enote zamenjajte samo z originalnim. Nov adapter lahko naročite pri prodajalcu ali na Philipsovem servisnem centru:

- SBC CS0920/00W (samo EU/SGP)
- SBC CS0920/05W (samo Združeno kraljestvo)
- 9VD200 (samo AU/NZ)

Okolje

- ▶ Aparata po preteku življenjske dobe ne odvrzite skupaj z običajnimi gospodinjstskimi odpadki, temveč ga odložite na uradnem zbirnem mestu za recikliranje. Tako pripomorete k ohranitvi okolja (Sl. 11).
- ▶ Baterije vsebujejo snovi, ki lahko onesnažijo okolje. Ne zavržite jih skupaj z običajnimi gospodinjstskimi odpadki, temveč jih odložite na uradnem zbirnem mestu za baterije. Preden aparat zavržete ali oddate na uradnem zbirnem mestu, baterije odstranite. (Sl. 12)

Garancija in servis

Za servis, informacije ali v primeru težav obiščite spletno stran Philips AVENT na naslovu **www.philips.com/AVENT** ali pa se obrnite na Philipsov center za pomoč uporabnikom v svoji državi (telefonsko številko najdete v mednarodnem garancijskem listu). Če v vaši državi takšnega centra ni, se obrnite na lokalnega Philipsovega prodajalca.

Pogosta vprašanja

V tem poglavju so navedena pogosta vprašanja o aparatu. Če ne najdete odgovora na svoje vprašanje, se obrnite na Philipsov center za pomoč uporabnikom v vaši državi.

Vprašanje	Odgovor
Zakaj indikator vklopa ne sveti?	Morda vtikač aparata ni pravilno vstavljen v vtičnico enote ali pa morda adapter ni vstavljen v omrežno vtičnico oziroma ni vstavljen pravilno. Morda ste pozabili vklopiti enoti. Pritisnite gumb za vklop/izklop na otroški enoti in obrnite regulator glasnosti na starševski enoti navzdol, da vklopite enoti. Če enoti delujeta na baterije, so le-te morda prazne. V tem primeru zamenjajte baterije.
Zakaj indikator vklopa utripa rdeče?	Enota deluje na baterije in le-te so prazne. Zamenjajte jih.
Zakaj starševska enota oddaja visok zvok?	Enoti sta preblizu skupaj. Starševsko enoto premaknite vsaj 1 meter stran od otroške enote. Če to ne pomaga, je glasnost previsoka. Regulator glasnosti obrnite na nižjo raven.
Zakaj ni zvoka iz starševske enote?	Preverite, če je glasnost nastavljena dovolj visoko. Če je glasnost prenizka, obrnite regulator glasnosti na višjo stopnjo. Preverite tudi občutljivost mikrofona otroške enote.

Vprašanje	Odgovor
Zakaj indikator povezave utripa rdeče?	Rdeče utripa, ker ni povezave. Starševska enota je morda izven dosega otroške enote ali pa je morda nastavljena na drug kanal kot otroška enota. Preverite, ali sta starševska in otroška enota nastavljeni na isti kanal. Če sta, postavite starševsko enoto drugam, bližje otroški enoti.
Zakaj starševska enota piska?	To, kar slišite, je alarm povezave. Opozarja, da ni povezave med otroško in starševsko enoto. Starševska enota je morda izven dosega otroške enote ali pa je morda nastavljena na drug kanal kot otroška enota. Preverite, ali sta starševska in otroška enota nastavljeni na isti kanal. Če sta, postavite starševsko enoto drugam, bližje otroški enoti.
Zakaj se starševska enota prepočasi odziva na otroške glasove?	Občutljivost mikrofona na otroški enoti nastavite na višjo stopnjo in/ali otroško enoto premaknite bližje otroku. Pazite, da bo otroška enota vsaj 1 meter stran od otroka.
Zakaj se starševska enota prehitro odziva na ostale zvoke?	Občutljivost mikrofona na otroški enoti nastavite na nižjo stopnjo in/ali otroško enoto premaknite bližje otroku.
Zakaj se povezava občasno izgubi?	Starševska enota je verjetno blizu meje dosega delovanja. Postavite jo bližje otroški enoti na mesto, kjer ima boljši sprejem. Ko premaknete eno ali obe enoti, traja približno 30 sekund, da se povezava ponovno vzpostavi.
Zakaj pri starševski enoti prihaja do motenj?	Do motenj lahko pride, ko je starševska enota izven dosega otroške enote. Starševska enota je lahko tudi preblizu okna in skozenj sprejema moteče signale. Enoto premaknite stran od okna. Do motenj pride tudi, če je med starševsko in otroško enoto preveč sten ali stropov. Starševsko enoto postavite drugam, bližje otroški enoti. Poskrbite tudi, da enoti ne bosta v bližini mobilnih ali brezžičnih telefonov, radiev ali televizorjev.
Zakaj starševska enota sprejema signale druge otroške varuške?	Otroška varuška deluje na istem kanalu kot druga otroška varuška v bližini. Z izbiralnikom kanalov nastavite obe enoti na drug kanal.
Zakaj doseg otroške varuške ne znaša navedenih 200 metrov?	Navedeni doseg 200 metrov velja samo na prostem. V hiši je doseg zaradi zidov in/ali stropov med obema enotama omejen. Spremenite položaj ene ali obeh enot in tako izboljšajte doseg delovanja.
Kaj se zgodi, ko pride do izpada električne napetosti?	Če se enoti napajata iz električnega omrežja in v njih ni baterij, se povezava v primeru izpada električne energije prekine. Če so v obeh enotah baterije, se enoti v primeru izpada samodejno preklopita na napajanje iz baterij in povezava se ohrani.

Uvod

Čestitamo na kupovini i dobrodošli u Philips AVENT! Da biste na najbolji način iskoristili podršku koju nudi kompanija Philips AVENT, registrujte svoj proizvod na adresi www.philips.com/welcome. Cilj kompanije Philips AVENT je proizvodnja pouzdanih aparata koji roditeljima mogu da pruže potrebnu sigurnost. Pomoću ovog Philips AVENT baby monitora možete da čujete svoju bebu u svakom delu kuće. Šesnaest različitih kanala garantuju minimalnu količinu smetnji i bezbedan prijem, što vam omogućava da stalno budete u vezi sa svojom bebom.

Opšti opis (Sl. 1)

A Jedinica za bebu

- 1 Mikrofon
- 2 Utičnica za mali utikač
- 3 Dugme za uključivanje/isključivanje
- 4 Indikator napajanja
- 5 Kontrola osetljivosti mikrofona
- 6 Selektor kanala
- 7 Adapter
- 8 Mali utikač
- 9 Poklopac odeljka za baterije

B Roditeljska jedinica

- 1 Adapter
- 2 Mali utikač
- 3 Indikator napajanja
- 4 Zvučnik
- 5 Indikator veze
- 6 Kontrola jačine zvuka sa funkcijom uključivanja/isključivanja
- 7 Prekidač alarma veze
- 8 Poklopac odeljka za baterije
- 9 Selektor kanala

Važno

Pre upotrebe uređaja pažljivo pročitajte ovo uputstvo i sačuvajte ga za buduće potrebe.

Opasnost

- Nikada ne uranjajte ni jedan deo aparata u vodu ili neku drugu tečnost.

Upozorenje

- Pre nego što priključite aparat, proverite da li napon naznačen na adapterima jedinice za bebu i roditeljske jedinice odgovara naponu lokalne električne mreže.
- Za uključivanje jedinice za bebu i roditeljske jedinice u struju, koristite samo adaptere za napajanje koji se nalaze u kompletu.
- Adapteri sadrže transformatore. Ne pokušavajte da uklonite adapter i da ga zamenite nekim drugim adapterom za napajanje, jer se na taj način izlažete opasnosti.
- Ukoliko su adapteri oštećeni, obavezno ih zamenite originalnim da biste izbegli rizik. Za odgovarajući tip, pogledajte odeljak "Zamena delova".
- Nikada nemojte da upotrebljavate baby monitor na vlažnim mestima ili blizu vode.
- Da biste izbegli strujni udar, nemojte otvarati kućišta jedinice za bebu i roditeljske jedinice, osim odeljka za baterije.
- Ovaj aparat nije namenjen za upotrebu od strane osoba (uključujući i decu) sa smanjenim fizičkim, senzornim ili mentalnim sposobnostima, ili nedostatkom iskustva i znanja, osim pod nadzorom ili na osnovu instrukcija za upotrebu aparata datih od strane osobe koja odgovara za njihovu bezbednost.

- Deca moraju da budu pod nadzorom da se ne bi igrala sa aparatom.
- Radni domet aparata je 200 metara / 600 stopa na otvorenom. U zavisnosti od okruženja i drugih ometajućih faktora, radni domet može biti kraći (pogledajte odeljak "Radni domet" u poglavlju "Upotreba aparata").

Oprez

- Koristite i odlažite aparat pri temperaturama između 10°C i 40°C.
- Jedinicu za bebu i roditeljsku jedinicu nemojte izlagati izuzetno visokim ili niskim temperaturama niti direktnoj sunčevoj svetlosti.
- Pazite da su jedinica za bebu i kabl uvek van dohvata bebe (udaljeno najmanje 1 metar / 3 stope).
- Nikada nemojte da stavljate jedinicu za bebu u krevetac ili ogradicu.
- Nikada ne pokrivajte ni roditeljsku jedinicu niti jedinicu za bebu (npr. peškirom ili ćebetom).
- U jedinici za bebu i roditeljskoj jedinici uvek koristite nepunjive baterije odgovarajućeg tipa.

Opšte

- Ovaj baby monitor je zamišljen da bude pomoć. On nije zamena za odgovornu i odgovarajuću pažnju odraslih i ne treba da se koristi kao zamena.

Elektromagnetna polja (EMF)

Ovaj Philips AVENT aparat usklađen je sa svim standardima u vezi sa elektromagnetnim poljima (EMF). Ako se aparatom rukuje na odgovarajući način i u skladu sa uputstvima iz ovog priručnika, aparat je bezbedan za upotrebu prema naučnim dokazima koji su danas dostupni.

Pre upotrebe

Jedinica za bebu

Jedinicu za bebu možete da koristite kada je povezana na električnu mrežu ili kada se napaja sa baterija. Čak i ako nameravate da aparat upotrebljavate priključen na struju, savetujemo da stavite baterije. Ovo garantuje automatsku zaštitu u slučaju nestanka struje.

Napajanje sa električne mreže

- 1** Stavite utikač u jedinicu za bebu i uključite adapter u zidnu utičnicu (Sl. 2). Pali se indikator napajanja.

Radi sa nepunjivim baterijama

Jedinica za bebu radi na četiri R6 AA baterije od 1,5V (nisu u kompletu). Savetujemo da koristite Philips LR6 PowerLife baterije.

Nemojte koristiti punjive baterije jer jedinica za bebu nema funkciju punjenja.

Isključite jedinicu za bebu iz struje i vodite računa da vam ruke i jedinica budu suvi kada stavljate nepunjive baterije.

- 1** Otključajte poklopac odeljka za baterije okretanjem dugmeta za zaključavanje pomoću novčića. Zatim skinite poklopac (Sl. 3).
- 2** Umetnite četiri nepunjive baterije. Pazite da su + i - polovi baterija usmereni pravilno.
- 3** Zatvorite poklopac odeljka za baterije okretanjem dugmeta za zaključavanje pomoću novčića. Kada je baterija skoro prazna, crveni indikator baterije na jedinici za bebu počinje da treperi.

Roditeljska jedinica

Roditeljsku jedinicu možete da koristite kada je povezana na električnu mrežu ili kada se napaja pomoću nepunjivih baterija. Čak i ako nameravate da jedinicu upotrebljavate priključenu na struju, savetujemo da stavite nepunjive baterije. Ovo garantuje automatsku zaštitu u slučaju nestanka struje.

Napajanje sa električne mreže

- 1 Stavite utikač u roditeljsku jedinicu i uključite adapter u zidnu utičnicu. Pali se indikator napajanja.

Radi sa nepunjivim baterijama

Jedinica za bebu radi na četiri R6 AA baterije od 1,5 V (nisu u kompletu). Savetujemo da koristite Philips LR6 PowerLife baterije.

Nemojte koristiti punjive baterije jer roditeljska jedinica nema funkciju punjenja.

Isključite roditeljsku jedinicu iz struje i vodite računa da vam ruke i jedinica budu suvi kada stavljate nepunjive baterije.

- 1 okrenite dugme za zaključavanje za četvrtinu kruga (1) i gurnite poklopac odeljka za baterije nadole da biste ga skinuli (2) (Sl. 4).
- 2 Umetnite četiri nepunjive baterije. Pazite da su + i - polovi baterija usmereni pravilno.
- 3 Vratite poklopac odeljka za baterije na mesto.

Napomena: Kada je baterija skoro prazna, crveni indikator baterije na roditeljskoj jedinici počinje da treperi.

Napomena: Ukoliko se baterije potpuno isprazne, roditeljska jedinica se automatski isključuje i gubi se kontakt sa jedinicom za bebu.

Upotreba aparata

- 1 Stavite obe jedinice u istu sobu da biste proverili vezu (Sl. 5). Jedinica za bebu i roditeljska jedinica treba da budu najmanje 1 metar / 3 stope udaljene jedna od druge.
- 2 Pritisnite dugme za uključivanje/isključivanje da biste uključili jedinicu za bebu (Sl. 6). Indikator napajanja uvek svetli zeleno.
- 3 Okrenite kontrolu jačine zvuka da biste uključili roditeljsku jedinicu i postavite jačinu zvuka na željeni nivo. (Sl. 7)
Indikator napajanja uvek svetli zeleno.
- 4 Kada se uspostavi veza između jedinica, indikator veze na roditeljskoj jedinici počinje da svetli zeleno.

Napomena: Potrebno je oko 30 sekundi da se uspostavi veza.

Napomena: Ako nije moguće uspostaviti vezu, indikator veze na roditeljskoj jedinici treperiće crveno.

- 4 Stavite jedinicu za bebu najmanje 1 metar / 3 stope daleko od bebe (Sl. 8).
- 5 Stavite roditeljsku jedinicu unutar radnog dometa jedinice za bebu. Pazite da je najmanje 1 metar / 3 stope daleko od jedinice za bebu. Za više informacija o radnom dometu pogledajte odeljak "Radni domet" (Sl. 9).

Radni domet

Radni domet aparata je 200 metara / 600 stopa na otvorenom. U zavisnosti od okruženja i drugih ometajućih faktora radni domet može biti kraći.

Suvi materijali	Debljina materijala	Gubitak dometa
Drvo, gips, gipsani karton, staklo (bez metala, žica ili vodova)	< 30 cm / 12 inča	0 - 10 %
Cigla, iverica	< 30 cm / 12 inča	5 - 35 %
Armirani beton	< 30 cm / 12 inča	30 - 100 %
Metalne rešetke ili šipke	< 1 cm / 0,4 inča	90 - 100 %
Metalne ili aluminijumske ploče	< 1 cm / 0,4 inča	100 %

Mokri i vlažni materijali mogu da umanje domet do 100 %.

Karakteristike

Potvrda digitalnim signalom

Roditeljska jedinica poseduje indikator veze koji vas neprestano obaveštava o statusu veze između jedinice za bebu i roditeljske jedinice. Na roditeljskoj jedinici možete da podesite alarm koji će vas upozoriti ukoliko dođe do prekida veze. Alarm će se oglasiti zvučnim upozorenjem, a indikator će treperiti crveno kada dođe do prekida veze.

Da biste aktivirali alarm na roditeljskoj jedinici:

- 1 okrenite dugme za zaključavanje za četvrtinu kruga (1) i gurnite poklopac odeljka za baterije nadole da biste ga skinuli (2) (Sl. 4).
 - 2 Postavite prekidač alarma veze u odeljku za baterije na položaj "on" (uključeno).
 - 3 Vratite poklopac odeljka za baterije na mesto.
- Da biste isključili alarm veze, postavite prekidač alarma na položaj "off" (isključeno).

Podesiva osetljivost zvuka

Pomoću kontrole osetljivosti mikrofona na jedinici za bebu možete da postavite zvuk koji hvata jedinica za bebu na željeni nivo: low (nisko), mid (srednje) ili high (visoko). Kada je osetljivost mikrofona postavljena na "high" (visoko), jedinica za bebu hvata sve zvučeve.

Napomena: Osetljivost jedinice za bebu moguće je promeniti samo kada postoji veza između jedinice za bebu i roditeljske jedinice.

- 1 Postavite osetljivost mikrofona na jedinici za bebu na željeni nivo pomoću kontrole osetljivosti mikrofona. Možete da koristite svoj glas kao zvučnu referencu (Sl. 10).
- Indikator napajanja na jedinici za bebu menja boju u žuto kada jedinica uhvati zvuk.

Napomena: Ako se osetljivost postavi na visok nivo dok se roditeljska jedinica napaja pomoću baterija, ona će trošiti više struje.

Prilagodljiva jačina zvuka zvučnika

Jačinu zvuka možete da promenite na roditeljskoj jedinici kako biste je prilagodili okruženju.

- 1 Okrećite taster za jačinu zvuka koji se nalazi sa desne strane roditeljske jedinice dok ne pronađete odgovarajuću jačinu zvuka.

Napomena: Ako se jačina zvuka postavi na visok nivo dok se roditeljska jedinica napaja pomoću baterija, ona će trošiti više struje.

Selektor kanala

Pazite da su selektori kanala unutar odeljaka za baterije obe jedinice postavljeni na isti kanal. Ovim selektorima kanala možete da izaberete šesnaest različitih kanala. Ako se pojave smetnje sa drugih baby monitora, radio uređaja i sl. izaberite drugi kanal.

1 Otvorite poklopce odeljaka za baterije na obe jedinice.

● Jedinica za bebu: (Sl. 3)

- okrenite dugme za zaključavanje pomoću novčića i skinite poklopac.
- Izvadite baterije iz odeljka za baterije, ako su unutra.
- Malim, ravnim odvijačem okrenite selektor kanala u željeni položaj.

● Roditeljska jedinica: (Sl. 4)

- okrenite dugme za zaključavanje za četvrtinu kruga (1) i gurnite poklopac odeljka za baterije nadole da biste ga skinuli (2).
- Izvadite baterije iz odeljka za baterije, ako su unutra.
- Malim, ravnim odvijačem okrenite selektor kanala u željeni položaj.

Napomena: Uverite se da su obe jedinice postavljene na isti kanal.

Ako ne bude bilo smetnji prilikom testiranja veze, zatvorite odeljke za baterije na jedinici za bebu i roditeljskoj jedinici.

Ako bude smetnji, postavite selektor na drugi kanal i ponovo testirajte vezu.

Ako se jedinice napajaju pomoću nepunjivih baterija, zamenite baterije i zatvorite odeljke za baterije.

Čišćenje i održavanje

Nemojte da uranjate roditeljsku jedinicu ili jedinicu za bebu u vodu i nemojte da ih perete pod mlazom vode.

Nemojte da koristite sprej za čišćenje i tečna sredstva za čišćenje.

- Isključite jedinicu za bebu ili roditeljsku jedinicu ako su uključene u struju.
- Čistite jedinicu za bebu i roditeljsku jedinicu vlažnom tkaninom.

Vodite računa da uređaji budu suvi kada ih uključujete u struju.

- Adaptere čistite suvom krpom.

Odlaganje

Kada neko vreme ne nameravate da koristite baby monitor, izvadite nepunjive baterije iz jedinice za bebu i iz roditeljske jedinice. Roditeljsku jedinicu, jedinicu za bebu i adaptere čuvajte na hladnom i suvom mestu.

Zamena delova

Jedinica za bebu

Baterije

Nepunjive baterije jedinice za bebu zamenite isključivo sa četiri nepunjive 1,5V R6 AA baterije.

Napomena: Savetujemo vam da koristite Philips nepunjive baterije.

Adapter

Adapter jedinice za bebu zamenite isključivo originalnim adapterom. Novi adapter možete naručiti od prodavca ili u Philips servisnom centru:

- SBC CS0920/00W (samo EU/SGP)
- SBC CS0920/05W (samo UK)
- 9VD200 (samo AU/NZ)

Roditeljska jedinica**Baterije**

Nepunjive baterije roditeljske jedinice zamenite isključivo sa četiri 1,5 V R6 AA baterije.

Napomena: Savetujemo vam da koristite Philips nepunjive baterije.

Adapter

Adapter roditeljske jedinice zamenite isključivo originalnim adapterom. Novi adapter možete naručiti od prodavca ili u Philips servisnom centru.

- SBC CS0920/00W (samo EU/SGP)
- SBC CS0920/05W (samo UK)
- 9VD200 (samo AU/NZ)

Zaštita okoline

- Aparat koji se više ne može upotrebljavati nemojte da odlažete u kućni otpad, već ga predajte na zvaničnom mestu prikupljanja za reciklažu. Tako ćete doprineti zaštiti okoline (Sl. 11).
- Baterije sadrže materije koje mogu da zagađe okolinu. Nemojte bacati baterije sa običnim kućnim otpadom, već ih predajte na zvaničnom mestu za prikupljanje baterija. Pre bacanja uređaja na otpad obavezno izvadite baterije i predajte ih na zvaničnom mestu za prikupljanje. (Sl. 12)

Garancija i servis

Ukoliko vam je potreban servis, informacije ili ako imate neki problem, posetite Web stranicu kompanije Philips AVENT na adresi **www.philips.com/AVENT** ili se obratite centru za korisničku podršku kompanije Philips u svojoj zemlji (broj telefona ćete pronaći u međunarodnom garantnom listu). Ako u vašoj zemlji ne postoji centar za korisničku podršku, obratite se ovlašćenom prodavcu Philips proizvoda.

Najčešća pitanja

U ovom poglavlju su navedena najčešća pitanja o aparatu. Ako ne možete da pronađete odgovor na svoje pitanje, obratite se korisničkoj podršci kompanije Philips u svojoj zemlji.

Pitanje	Odgovor
Zašto indikator napajanja ne svetli?	Možda utikač nije pravilno gumnut u utičnicu na jedinici, ili možda adapter nije pravilno uključen u zidnu utičnicu.
	Možda ste zaboravili da uključite jedinice. Pritisnite dugme za uključivanje/isključivanje na jedinici za bebu i okrenite kontrolu jačine zvuka na roditeljskoj jedinici nadole da biste uključili jedinice.
	Ako se jedinice napajaju sa baterija, možda su se baterije ispraznile. U tom slučaju, zamenite baterije.
Zašto indikator napajanja trepće crveno?	Jedinica se napaja pomoću baterija i baterije su se ispraznile. Zamenite baterije.
Zašto roditeljska jedinica ispušta visok zvuk?	Jedinice su suviše blizu jedna drugoj. Udaljite roditeljsku jedinicu najmanje 1 metar / 3 stope od jedinice za bebu. Ako ovo ne pomogne, jačina zvuka je suviše visoka. Okrenite kontrolu jačine zvuka da biste smanjili jačinu zvuka.

Pitanje	Odgovor
Zašto roditeljska jedinica ne emituje zvuk?	Proverite da li je jačina zvuka dovoljno visoka. Ako je jačina zvuka suviše niska, okrenite kontrolu jačine zvuka na viši nivo. Takođe proverite osetljivost mikrofona na jedinici za bebu.
Zašto indikator veze trepće crveno?	Trepće zato što veza nije uspostavljena. Roditeljska jedinica je možda van dometa jedinice za bebu ili su jedinice postavljene na različite kanale. Proverite da li su roditeljska jedinica i jedinica za bebu postavljene na isti kanal. Ako jesu, stavite roditeljsku jedinicu na drugo mesto, bliže jedinici za bebu.
Zašto roditeljska jedinica ispušta zvučni signal?	To što čujete je alarm veze. On ukazuje na to da nije uspostavljena veza između jedinice za bebu i roditeljske jedinice. Roditeljska jedinica je možda van dometa jedinice za bebu ili su jedinice postavljene na različite kanale. Proverite da li su roditeljska jedinica i jedinica za bebu postavljene na isti kanal. Ako jesu, stavite roditeljsku jedinicu na drugo mesto, bliže jedinici za bebu.
Zašto roditeljska jedinica reaguje suviše sporo na zvukove koje pravi beba?	Postavite osetljivost mikrofona na viši nivo i/ili približite jedinicu za bebu bebi. Pazite da jedinica za bebu bude najmanje 1 metar / 3 stope daleko od bebe.
Zašto roditeljska jedinica reaguje suviše brzo na različite zvukove?	Postavite osetljivost mikrofona na niži nivo i/ili približite jedinicu za bebu bebi.
Zašto se veza gubi s vremena na vreme?	Roditeljska jedinica je verovatno blizu granica radnog dometa. Stavite roditeljsku jedinicu bliže jedinici za bebu, na mesto na kojem ima bolji prijem. Obratite pažnju da je potrebno oko 30 sekundi da se veza ponovo uspostavi kada pomerate jednu ili obe jedinice.
Zašto ima smetnji na roditeljskoj jedinici?	Smetnje mogu da se pojave na roditeljskoj jedinici ako je van radnog dometa jedinice za bebu. Roditeljska jedinica može takođe biti suviše blizu prozora i može da hvata smetnje kroz prozor. Udaljite roditeljsku jedinicu od prozora. Smetnje takođe nastaju kada ima previše zidova ili plafona između roditeljske jedinice i jedinice za bebu. Stavite roditeljsku jedinicu na drugo mesto, bliže jedinici za bebu. Takođe pazite da su jedinice dovoljno udaljene od mobilnih i bežičnih telefona, radio i TV aparata.
Zašto roditeljska jedinica hvata signale sa drugog baby monitora?	Baby monitor radi na istom kanalu kao i drugi baby monitor iz susedstva. Postavite obe jedinice na drugi kanala pomoću selektora kanala.
Zašto baby monitor ne radi na dometu od 200 metara iz specifikacije?	Specifikacija dometa od 200 metara važi samo na otvorenom. Unutar građevine domet je ograničen brojem i vrstom zidova i/ili plafona između dve jedinice. Promenite položaj jedne ili obe jedinice da biste optimizovali domet.

Pitanje	Odgovor
Šta se dešava kada nestane struje?	Ako upotrebljavate jedinice a niste stavili baterije u njih, veza će se prekinuti kada nestane struje. Ako u jedinicama ima baterija, one će automatski preći na napajanje pomoću baterija u slučaju nestanka struje i veza neće biti prekinuta.

Вступ

Вітаємо Вас із покупкою та ласкаво просимо до клубу Philips AVENT! Щоб уповні скористатися підтримкою, яку пропонує Philips AVENT, зареєструйте свій виріб на веб-сайті www.philips.com/welcome.

Компанія Philips AVENT впродовж багатьох років виробляє якісні товари для догляду за дитиною, які справді необхідні батькам. За допомогою цієї системи контролю за дитиною Philips AVENT Ви зможете чути свого малюка з будь-якого місця в будинку чи біля нього. Шістнадцять різних каналів гарантують мінімальні перешкоди та надійний прийом сигналу, забезпечуючи постійний зв'язок із дитиною.

Загальний опис (Мал. 1)

А Дитячий блок

- 1 Мікрофон
- 2 Роз'єм для малої вилки
- 3 Кнопка "увімк./вимк."
- 4 Індикатор роботи
- 5 Регулятор чутливості мікрофона
- 6 Селектор каналів
- 7 Адаптер
- 8 Мала вилка
- 9 Кришка батарейного відсіку

В Батьківський блок

- 1 Адаптер
- 2 Мала вилка
- 3 Індикатор роботи
- 4 Гучномовець
- 5 Індикатор зв'язку
- 6 Регулятор гучності з функцією "увімк./вимк."
- 7 Перемикач попередження про втрату зв'язку
- 8 Кришка батарейного відсіку
- 9 Селектор каналів

Важлива інформація

Уважно прочитайте ці інструкції перед тим, як використовувати пристрій, та зберігайте їх для подальшого використання.

Небезпечно

- Ніколи не занурюйте жодної частини пристрою у воду чи іншу рідину.

Попередження

- Перед тим як під'єднувати пристрій до мережі, перевірте, чи збігається напруга на адаптерах дитячого і батьківського блоків із напругою у мережі.
- Для під'єднання батьківського і дитячого блоків до мережі використовуйте лише адаптери з комплекту.
- Адаптери містять трансформатор. Для запобігання небезпеки не від'єднуйте адаптери, щоб замінити їх іншими.
- Якщо адаптери пошкоджено, для уникнення небезпеки завжди замінюйте їх оригінальними. Інформацію про відповідний тип адаптера див. у розділі "Заміна".
- Ніколи не використовуйте систему контролю за дитиною у вологому середовищі чи близько до води.
- Не відкривайте корпус дитячого або батьківського блоків (за винятком батарейного відсіку) для запобігання ураженню електричним струмом.

- Цей пристрій не призначено для користування особами (включаючи дітей) з послабленими фізичними відчуттями чи розумовими здібностями, або без належного досвіду та знань, крім випадків користування під наглядом чи за вказівками особи, яка відповідає за безпеку їх життя.
- Дорослі повинні стежити, щоб діти не бавилися пристроєм.
- Робочий діапазон системи контролю за дитиною становить 200 метрів на відкритому просторі. Залежно від оточення та інших факторів, які можуть створювати перешкоди, робочий діапазон може бути меншим (див. розділ "Застосування пристрою", підрозділ "Робочий діапазон").

Увага

- Використовуйте і зберігайте пристрій за температури від 10°C до 40°C.
- Обережно дитячий і батьківський блоки від надмірного охолодження, нагрівання та дії прямих сонячних променів.
- Дитячий блок і шнур повинні завжди бути недосяжні для дітей (принаймні, на відстані 1 метра).
- Ніколи не кладіть дитячий блок у дитяче ліжко чи манеж.
- Ніколи нічим не накривайте батьківський і дитячий блоки (наприклад, рушником чи ковдрою).
- Завжди встановлюйте у дитячий та батьківський блоки звичайні батареї відповідного типу.

Загальна інформація

- Ця система контролю за дитиною є допоміжним пристроєм. Він не призначений для заміни відповідального і належного батьківського нагляду і не повинен використовуватися в таких цілях.

Електромагнітні поля (ЕМП)

Цей пристрій Philips AVENT відповідає всім стандартам, які стосуються електромагнітних полів (ЕМП). Згідно з останніми науковими дослідженнями, пристрій є безпечним у використанні за умов правильної експлуатації відповідно до інструкцій, поданих у цьому посібнику користувача.

Підготовка до використання

Дитячий блок

Дитячий блок може працювати від мережі чи звичайних батарей. Навіть, якщо Ви маєте намір використовувати блок із живленням від мережі, радимо вставити звичайні батареї. Це гарантуватиме автоматичний резерв у випадку збою в електропостачанні.

Робота від мережі

1 Вставте штекер пристрою в дитячий блок, а адаптер вставте в розетку на стіні (Мал. 2). Спалахує індикатор увімкнення.

Робота від звичайних батарей

Дитячий блок живиться від чотирьох батарей R6 AA 1,5 В (не входять у комплект). Наполегливо радимо використовувати батареї Philips LR6 PowerLife. Не використовуйте акумуляторні батареї, бо дитячий блок не має функції зарядження.

Від'єднайте дитячий блок і вставте звичайні батареї, звертаючи увагу на те, щоб блок і руки були сухими.

1 Повертаючи монеткою фіксатор, відкрийте кришку батарейного відсіку. Після цього зніміть кришку (Мал. 3).

2 Вставте чотири звичайні батареї.
Перевірте правильність розташування полюсів "+" і "-" батарей.

- 3 Встановіть кришку батарейного відсіку на місце та закрийте її, повертаючи монеткою фіксатор.

Коли батареї розрядяться, індикатор живлення на дитячому блоці заблимає червоним кольором.

Батьківський блок

Батьківський блок може працювати від мережі чи звичайних батарей. Навіть якщо Ви маєте намір використовувати блок із живленням від мережі, радимо вставити звичайні батареї. Це гарантуватиме автоматичний резерв у випадку збою в електропостачанні.

Робота від мережі

- 1 Вставте штекер пристрою в батьківський блок, а адаптер вставте в розетку на стіні. Спалахує індикатор увімкнення.

Робота від звичайних батарей

Батьківський блок живиться від чотирьох батарей R6 AA 1,5 В (не входять у комплект). Наполегливо радимо використовувати батареї Philips LR6 PowerLife.

Не використовуйте акумуляторні батареї, бо батьківський блок не має функції зарядження.

Від'єднайте батьківський блок і вставте звичайні батареї, слідкуючи, щоб блок і руки були сухими.

- 1 Поверніть фіксатор на 90 градусів (1) та посуňte кришку батареї донизу, щоб зняти її (2) (Мал. 4).

- 2 Вставте чотири звичайні батареї.

Перевірте правильність розташування полюсів "+" і "-" батарей.

- 3 Встановіть кришку батарейного відсіку на місце.

Примітка: Коли батареї розрядяться, індикатор живлення на батьківському блоці заблимає червоним кольором.

Примітка: Якщо батареї повністю розрядяться, батьківський блок автоматично вимкнеться і втратить зв'язок із дитячим блоком.

Застосування пристрою

- 1 Поставте обидва блоки в одній кімнаті, щоб перевірити зв'язок (Мал. 5).

Дитячий блок повинен бути на відстані принаймні 1 метр/3 фути від батьківського.

- 2 Натисніть кнопку "увімк./вимк.", щоб увімкнути дитячий блок (Мал. 6).

Індикатор увімкнення світиться зеленим кольором без блимання.

- 3 Поверніть регулятор гучності, щоб увімкнути батьківський блок і налаштувати необхідний рівень гучності. (Мал. 7)

Індикатор увімкнення світиться зеленим кольором без блимання.

- Коли встановиться зв'язок між блоками, на батьківському блоці зеленим кольором світитиметься індикатор зв'язку.

Примітка: Для встановлення зв'язку знадобиться до 30 секунд.

Примітка: Якщо не вдалося встановити зв'язок, індикатор зв'язку на батьківському блоці блиматиме червоним кольором.

- 4 Покладіть дитячий блок на відстані принаймні 1 метр/3 фути від дитини (Мал. 8).

- 5 Покладіть батьківський блок в межах робочого діапазону дитячого блоку. Батьківський блок повинен бути на відстані принаймні 1 метр (3 фути) від дитячого. Детальнішу

інформацію про робочий діапазон можна знайти внизу в розділі “Робочий діапазон” (Мал. 9).

Робочий діапазон

Робочий діапазон системи контролю за дитиною становить 200 метрів/600 футів на відкритому просторі. Залежно від оточення та інших факторів, які можуть створювати перешкоди, робочий діапазон може бути меншим.

Сухі матеріали	Товщина матеріалів	Втрата діапазону
Дерево, штукатурка, гіпсокартон, скло (без металу, дротів або свинцю)	< 30 см/12 дюймів	0-10%
Цегла, клеєна фанера	< 30 см/12 дюймів	5-35%
Залізобетон	< 30 см/12 дюймів	30-100%
Металеві решітки або бруски	< 1 см/0,4 дюйма	90-100%
Металеві або алюмінієві листи	< 1 см/0,4 дюйма	100%

Для вологих матеріалів втрата діапазону може становити до 100%.

Функції

Цифрове підтвердження сигналу

Батьківський блок обладнано індикатором зв'язку, що постійно повідомляє про стан зв'язку між дитячим та батьківським блоками. На батьківському блоці можна встановити попереджувальний сигнал, що повідомлятиме про втрату зв'язку. Коли зв'язок пропадає, прозвучить звуковий сигнал, а індикатор зв'язку засвітиться червоним кольором.

Для активації попереджувального сигналу на батьківському блоці:

- 1** Поверніть фіксатор на 90 градусів (1) та посуньте кришку батареї донизу, щоб зняти її (2) (Мал. 4).
- 2** Налаштуйте перемикач попередження про втрату зв'язку в батарейному відсіку в положення “увімк.”.
- 3** Встановіть кришку батарейного відсіку на місце.

Щоб вимкнути попереджувальний сигнал, налаштуйте перемикач у положення “вимк.”.

Регульована чутливість звуку

За допомогою регулятора чутливості мікрофона на дитячому блоці можна налаштувати потрібний рівень звуку, який може вловлювати дитячий блок: низький, середній або високий. Якщо чутливість мікрофона налаштовано в положення “висока”, дитячий блок вловлює усі звуки.

Примітка: Змінити чутливість дитячого блока можна лише тоді, коли між дитячим і батьківським блоком встановлено зв'язок.

- 1** За допомогою регулятора чутливості мікрофона можна налаштувати потрібний рівень чутливості мікрофона дитячого блока. Для визначення сили звуку можна використовувати власний голос (Мал. 10).

Про передачу звуку повідомляє індикатор увімкнення дитячого блока, який засвічується жовтим кольором.

Примітка: Якщо під час роботи пристрою від батарей вибрано високий рівень чутливості, батьківський блок споживатиме більше енергії.

Регульована гучність гучномовця

Гучність батьківського блока можна налаштувати відповідно до оточення.

- 1** Повертайте регулятор гучності справа на батьківському блоці, поки не буде вибрано потрібний рівень гучності для батьківського блока.

Примітка: Якщо під час роботи пристрою від батарей вибрано високий рівень гучності, батьківський блок споживатиме більше енергії.

Селектор каналів

Завжди перевіряйте, чи селектори каналів у батарейному відсіку обох блоків налаштовано на один і той самий канал. За допомогою цих селекторів каналу можна вибрати шістнадцять різних положень каналів. Якщо з'являються перешкоди від інших систем контролю за дитиною, радіо пристроїв тощо, виберіть інший канал.

- 1** Відкрийте кришки батарейного відсіку на обох пристроях.
 - ▶ **Дитячий блок: (Мал. 3)**
 - Поверніть монеткою фіксатор і зніміть кришку.
 - Якщо у батарейному відсіку є батареї, вийміть їх.
 - За допомогою маленької пласкої викрутки поверніть селектор каналів у потрібне положення.
 - ▶ **Батьківський блок: (Мал. 4)**
 - Поверніть фіксатор на 90 градусів (1) та посуňte кришку батареї донизу, щоб зняти її (2).
 - Якщо у батарейному відсіку є батареї, вийміть їх.
 - За допомогою маленької пласкої викрутки поверніть селектор каналів у потрібне положення.

Примітка: Обидва блоки повинні бути налаштовані на один і той самий канал.

Якщо під час перевірки зв'язку перешкод немає, закрийте батарейні відсіки дитячого та батьківського блоків.

Якщо перешкоди є, налаштуйте селектор на інший канал і перевірте зв'язок знову.

Якщо блоки живляться від звичайних батарей, замініть батареї та закрийте батарейні відсіки.

Чищення та догляд

Не занурюйте батьківський чи дитячий блоки у воду і не мийте їх водою з-під крана.

Не використовуйте жодних розпилювачів чи рідких засобів для чищення.

- Якщо дитячий чи батьківський блоки під'єднано до мережі, від'єднайте їх.
- Чистіть батьківський і дитячий блоки вологою ганчіркою.

Перед тим, як під'єднувати блоки до мережі, перевірте, чи вони сухі.

- Адаптери чистіть сухою ганчіркою.

Зберігання

Якщо Ви не маєте наміру користуватися системою контролю за дитиною протягом певного часу, вийміть звичайні батареї з дитячого та батьківського блоків. Зберігайте дитячий, батьківський блоки та адаптери у холодному та сухому місці.

Заміна

Дитячий блок

Батареї

Заміняйте звичайні батареї дитячого блока лише чотирма батареями R6 AA 1,5 В.

Download from [Www.Somanuals.com](http://www.Somanuals.com). All Manuals Search And Download.

Примітка: Наполегливо рекомендуємо використовувати звичайні батареї Philips.

Адаптер

Замінійте адаптер дитячого блока лише оригінальним адаптером. Новий адаптер можна замовити у дилера або сервісному центрі Philips.

- SBC CS0920/00W (лише Європа/Сінгапур)
- SBC CS0920/05W (лише Великобританія)
- 9VD200 (лише Австралія/Нова Зеландія)

Батьківський блок

Батареї

Замінійте звичайні батареї батьківського блока лише чотирма батареями R6 AA 1,5 В.

Примітка: Наполегливо рекомендуємо використовувати звичайні батареї Philips.

Адаптер

Замінійте адаптер батьківського блока лише оригінальним адаптером. Новий адаптер можна замовити у дилера або сервісному центрі Philips.

- SBC CS0920/00W (лише Європа/Сінгапур)
- SBC CS0920/05W (лише Великобританія)
- 9VD200 (лише Австралія/Нова Зеландія)

Навколишнє середовище

- ▶ Не викидайте пристрій разом із звичайними побутовими відходами, а здавайте його в офіційний пункт прийому для повторної переробки. Таким чином Ви допомагаєте захистити довкілля (Мал. 11).
- ▶ Батареї містять речовини, які можуть забруднювати навколишнє середовище. Не викидайте використані батареї разом із звичайними побутовими відходами, а здайте їх в офіційний пункт прийому батарей. Перед утилізацією пристрою або передачею в офіційний пункт прийому, завжди виймайте батареї. (Мал. 12)

Гарантія та обслуговування

Якщо Вам необхідна інформація або обслуговування чи якщо у Вас виникла проблема, відвідайте веб-сайт компанії Philips AVENT www.philips.com/AVENT або зверніться до Центру обслуговування клієнтів компанії Philips у Вашій країні (телефон можна знайти на гарантійному талоні). Якщо у Вашій країні немає Центру обслуговування клієнтів, зверніться до місцевого дилера Philips.

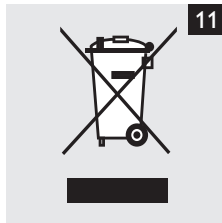
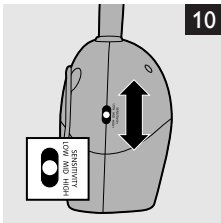
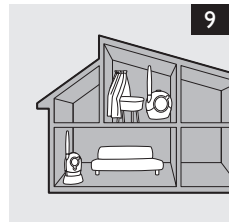
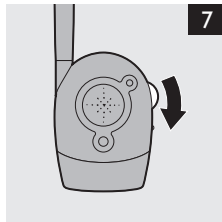
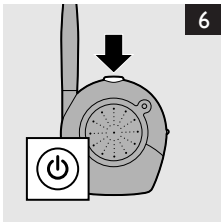
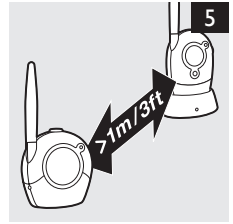
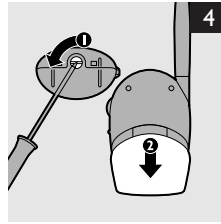
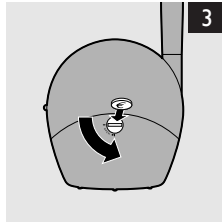
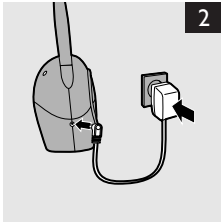
Запитання, що часто задаються

У цьому розділі знаходиться список запитань про пристрій, які часто задаються. Якщо Ви не можете знайти відповіді на своє запитання, зверніться до Центру обслуговування клієнтів у Вашій країні.

Запитання	Відповідь
Чому не засвічується індикатор увімкнення?	Можливо, штекер пристрою неправильно встановлено в роз'єм на блоці або адаптер не під'єднано або неправильно під'єднано до розетки на стіні.
	Можливо, Ви забули увімкнути блоки. Натисніть кнопку "увімк./вимк." на дитячому блоці і поверніть регулятор гучності на батьківському блоці донизу, щоб увімкнути обидва блоки.

Запитання	Відповідь
	Якщо Ви використовуєте батареї, вони могли розрядитися. У такому випадку замініть батареї.
Чому індикатор увімкнення блимає червоним кольором?	Ви користуєтеся розрядженими батареями. Змініть батареї.
Чому батьківський блок видає пронизливі звуки?	Блоки розміщені надто близько. Перекладіть батьківський блок принаймні на відстань 1 метр від дитячого. Якщо це не допоможе, можливо, надто високе налаштування гучності. Зменшіть гучність, повернувши регулятор гучності.
Чому від батьківського блока не надходять звукові сигнали?	Перевірте налаштування гучності. Якщо гучність низька, поверніть регулятор, щоб збільшити її. Перевірте також чутливість мікрофона на дитячому блоці.
Чому індикатор з'єднання блимає червоним кольором?	Індикатор блимає, бо немає зв'язку. Можливо, батьківський блок не потрапляє в діапазон роботи дитячого блока або він налаштований на інший канал, ніж дитячий. Перевірте, чи батьківський та дитячий блоки налаштовано на один і той самий канал. Якщо так, перекладіть батьківський блок ближче до дитячого.
Чому батьківський блок видає сигнали?	Те, що Ви чуєте, - це попередження про втрату зв'язку між дитячим і батьківським блоками. Можливо, батьківський блок не потрапляє в діапазон роботи дитячого блока або він налаштований на інший канал, ніж дитячий. Перевірте, чи батьківський та дитячий блоки налаштовано на один і той самий канал. Якщо так, перекладіть батьківський блок ближче до дитячого.
Чому батьківський блок надто повільно реагує на дитячі звуки?	Налаштуйте чутливість мікрофона на дитячому блоці на вищий рівень та/або перекладіть дитячий блок ближче до дитини. Дитячий блок повинен знаходитися принаймні на відстані 1 метр/3 фути від дитини.
Чому батьківський блок надто швидко реагує на інші звуки?	Налаштуйте чутливість мікрофона на дитячому блоці на нижчий рівень та/або перекладіть дитячий блок ближче до дитини.
Чому час від часу зв'язок втрачається?	Можливо, батьківський блок знаходиться близько від межі робочого діапазону. Покладіть батьківський блок ближче до дитячого в місці з кращим прийомом. Перекладаючи один чи обидва блоки, врахуйте, що для повторного встановлення зв'язку знадобиться приблизно 30 секунд.
Чому на батьківському блоці перешкоди?	Перешкоди на батьківському блоці можуть з'являтися тоді, коли він не потрапляє в діапазон прийому сигналу дитячого блока. Батьківський блок може також бути надто близько до вікна і вловлювати сигнали-перешкоди через вікно. Переставте батьківський блок подалі від вікна.

Запитання	Відповідь
	Перешкоди з'являються також і тоді, коли між батьківським і дитячим блоком є надто багато стін та стель. Покладіть батьківський блок в іншому місці, ближче до дитячого. Також перевірте, чи блоки знаходяться на великій відстані від мобільних або бездротових телефонів, радіо та телевізорів.
Чому батьківський блок вловлює сигнали іншого дитячого блока?	Система контролю за дитиною працює на тому самому каналі, що й інша система неподалік. За допомогою селектора каналів налаштуйте обидва блоки на інший канал.
Чому дитячий блок не працює у визначеному діапазоні 200 м?	Блок працює у визначеному діапазоні 200 метрів лише на відкритому просторі. У приміщенні цей діапазон обмежується кількістю та типом стін та/або стель між двома блоками. Змініть положення одного або двох блоків, щоб оптимізувати робочий діапазон.
Що станеться, якщо відбудеться збій в електропостачанні?	Якщо пристрій підключено до мережі і в ньому немає батарей, у випадку збою в електропостачанні втратиться зв'язок. Якщо в обидвох блоках є батареї, у випадку збою в електропостачанні вони автоматично почнуть споживати енергію батарей, і зв'язок не буде втрачено.





PHILIPS

EC DECLARATION OF CONFORMITY

Philips Domestic Appliances and Personal Care	Ref: DOC-SCD481
	Date: 28 Oct, 2008
	By: Phoebe Cheng

We, PHILIPS DOMESTIC APPLIANCES AND PERSONAL CARE BV
(Manufacturer's name)

Tussendiepen 4, 9206 AD DRACHTEN, The Netherlands
(Manufacturer's address)

declare under our responsibility that the electrical products:

Philips SCD470, SCD480, SCD481
(Name) (Type or model)

Baby Monitor
(Product description)

To which this declaration relates is in conformity with the following harmonized standards:

EN60950-1:2004	EN 62311:2008	ETSI EN 301 489-1 V1.8.1
		ETSI EN 301 489-3 V1.4.1
		ETSI EN 300 220-1 V2.1.1
		ETSI EN 300 220-2 V2.1.2

Year in which the CE-mark was affixed: (2008)

Following the provisions of 1999/5/EC (R&TTE Directive)

and are produced under a quality scheme at least in conformity with ISO 9001 or CENELEC Permanent Documents

For the CoC
Signature:

Name Quality Manager: Agamen Pun Date: 28 Oct, 2008

For DAP
Signature:

Name Quality Manager DAP:

Date: 28 Oct 2008

© Philips Domestic Appliances and Personal Care B.V.
UHV 999-0304 48

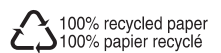
Corporate Quality Support

R&TTE Directive 1999/5 EC

AT ✓	DK ✓	DE ✓	IT ✓	MT ✓	SK ✓	GB ✓	CH ✓
BE ✓	EE ✓	GR ✓	LV ✓	NL ✓	SI ✓	IS ✓	BG ✓
CY ✓	FI ✓	HU ✓	LT ✓	PL ✓	ES ✓	LI ✓	RO ✓
CZ ✓	FR ✓	IE ✓	LU ✓	PT ✓	SE ✓	NO ✓	TR ✓



www.philips.com/AVENT



4222.002.7303.1

Free Manuals Download Website

<http://myh66.com>

<http://usermanuals.us>

<http://www.somanuals.com>

<http://www.4manuals.cc>

<http://www.manual-lib.com>

<http://www.404manual.com>

<http://www.luxmanual.com>

<http://aubethermostatmanual.com>

Golf course search by state

<http://golfingnear.com>

Email search by domain

<http://emailbydomain.com>

Auto manuals search

<http://auto.somanuals.com>

TV manuals search

<http://tv.somanuals.com>