

TC8278 Series Color VidQuad® Video Processors

- **Selectable Quad/Full Screen Color Displays From up to 8 Camera Inputs**
- **Two Monitor Outputs**
- **Real Time Update Rate**
- **Sequence Capability**
- **Alarm, Freeze, and Video Loss Functions**
- **Programmable Titles and Time/Date**



The TC8278 Series video processors digitally capture the full video from up to eight sources, display them selectively full screen, or reduces these images to quarter-screen size, and combines them to provide a two page quad display. The TC8278 Series will accept monochrome and/or color inputs and provide monochrome and/or color display capabilities in the full screen and quad modes.

The TC8278 requires no external synchronization and accepts inputs from any EIA, RS-170 525 line, 2:1 interlaced source. The TC8278X accepts inputs from any PAL, CCIR 625 line, 2:1 interlaced source.

The TC8278 Series provide two monitor outputs. The MON A output displays two digital quad formats of the eight inputs or a full screen image of

any of the input cameras. Full screen displays, including the VCR input, have positional 2X electronic zoom capability. Freeze and zoom capabilities are available with MON A. The second output, MON B, is used for selecting analog full screen displays of the eight video inputs. A user programmable sequence is available on the MON B output. Both the MON A and MON B outputs display a user display selectable camera ID number, programmable titles, time/date, and on-screen status information.

Automatic gain and level circuits provide balanced brightness and contrast in all quadrants. The TC8278 Series achieve a real time update rate (30 frames-per-second) when used with line-locked cameras.

Front panel controls allow password protected menu access, and full manual operation of both MON A and MON B functions. Monitor sequence features offer a 16 entry list which can include the quad display, and adjustable dwell of 1 to 99 seconds.

On-screen menu access provides user programmable operational and display modes.

Alarm contacts provide remote call up of any of the eight camera inputs on the MON B monitor, and selectable full screen on MON A monitor. Other alarm features include a flashing on-screen "ALM" indicator, an alarm output relay for control of a VCR or other alarm activated devices, front panel alarm clear, and user programmable alarm capture.

SPECIFICATIONS

Electrical

Model No. Voltage	Rated Voltage	Voltage Range	Power at Rated
TC8278	120 VAC, 50/60 Hz	105 to 130	15 W
TC8278X	230 VAC, 50/60 Hz	198 to 264	15 W

Synchronization: No external synchronization required.
TC8278: 525 line, 60 Hz. EIA, NTSC system compatible.
TC8278X: 625 line, 50 Hz. CCIR, PAL system compatible.

Digital Memory: 16 bit, 256 grey steps, 16 million color palate, 1024 H x 1024 V array.

Controls & Indicators:

MON B: One push key for selection of monitor B display options.

MENU: One push key for Menu access.

SELECT/ALARM CLR: One push key used in menu operations and alarm clear function.

QUAD: One push key used for quad display callup on MON A. Steps between quad A (cameras 1, 2, 3, 4) and quad B (cameras 5, 6, 7, 8).

Camera (Arrow) keys: Four push keys. Selects control and full screen callup of inputs 1 thru 8. Used as directional keys during programming and zoom functions.

ZOOM: One push key, selects zoom function with camera or VCR input.

VCR: One push key, selects the VCR as an input for display.

SEQ: One push key, starts/stops sequencing.

FREEZE: One push key, freezes full screen, all four quadrants, or an individual quadrant.

Connectors:

VIDEO INPUTS: Sixteen. 75 ohm. BNC.

Fourteen looping BNCs with Hi-Z/75 ohm switches.

One terminating BNC, accepts input from camera 8.

Accepts 0.5 Vp-p to 2.0 Vp-p composite video, sync negative, 2:1 interlaced.

One terminating BNC, accepts output from VCR.

VIDEO OUTPUTS: Two. 75 ohm. BNC.

MON A: The quad presentation, or any one of eight video inputs, full screen, controlled via front panel and/or over-riding full screen alarmed input(s) if selected. On-screen menu displays.

MON B: Full screen analog displays. Can include a quad display within the sequence operation.

ALARM/ACCESSORY Input/Output: 15-pin connector.

ALARM INPUTS: Eight. Can be configured as normally open (NO) or normally closed (NC) momentary or continuous contacts to ground.

ALARM OUTPUT: Isolated relay, normally open contacts, closes upon alarm input. 1 A, 40 V AC/DC.

VIDEO LOSS OUTPUT: Logic level low on video loss.

Power Cord: 3-wire with grounded plug; 1.8 m (6 ft).

TC8278: NEMA 5-15P/C22.2, No. 42 plug.

TC8278X: CEE 7/7 plug.

Mechanical

Construction: Steel chassis with sheet metal cover and plastic bezel.

Finish: Dark plum-colored case and front panel with medium plum keys.

Dimensions: Height: 1 standard rack unit; width: 1/2 standard rack unit.
223 W x 362 D x 40 H mm (8.77 x 14.25 x 1.59 in).

Weight: 2 kg (4.5 lb).

Environmental

Temperature:

Operating: 0 °C to +40 °C (32 °F to +104 °F).

Storage: -40 °C to +60 °C (-40 °F to +140 °F).

Humidity: 10% to 90% relative, noncondensing.

Vibration: 3 g swept sine wave, 15 Hz to 2000 Hz.

Shock: 30 g, 11 ms, 1/2 sine.

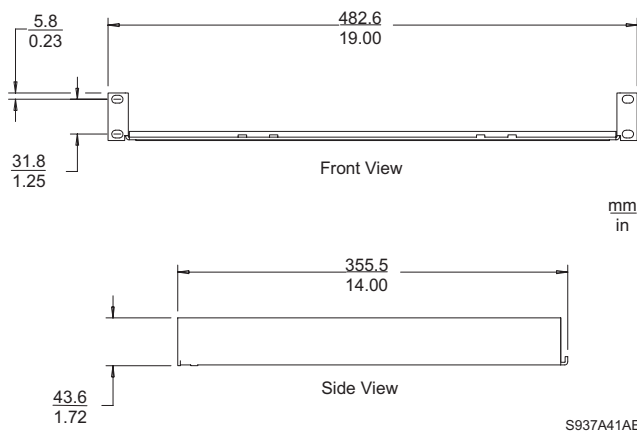
Electromagnetic Compatibility

EMC Requirements: CE Immunity, CE Emission Class B, FCC Class B, ICES-003.

Safety: CE, UL, cUL.

Options

TC8101MK Rack Kit: For mounting one or two units in an EIA 19-inch rack.



Rack Kit



PHILIPS

Let's make things better.

Free Manuals Download Website

<http://myh66.com>

<http://usermanuals.us>

<http://www.somanuals.com>

<http://www.4manuals.cc>

<http://www.manual-lib.com>

<http://www.404manual.com>

<http://www.luxmanual.com>

<http://aubethermostatmanual.com>

Golf course search by state

<http://golfingnear.com>

Email search by domain

<http://emailbydomain.com>

Auto manuals search

<http://auto.somanuals.com>

TV manuals search

<http://tv.somanuals.com>