

Register your product and get support at  
[www.philips.com/welcome](http://www.philips.com/welcome)

CE151



EN	User manual	3
ES-AR	Manual del usuario	23
PT-BR	Manual do Usuário	51
ZH-TW	使用手冊	77
ZH-CN	用户手册	97

# PHILIPS

# Contents

<b>1 Important</b>	4
Safety	4
Notice	4
<b>2 Your car audio system</b>	6
Introduction	6
What's in the box	6
Overview of the main unit	7
Overview of the remote control	8
<b>3 Get started</b>	9
Install the car audio	9
Install remote control battery	12
Turn on	12
Select country/region	12
Set clock	13
<b>4 Listen to radio</b>	13
Tune to a radio station	13
Store radio stations in memory	14
Tune to a preset station	14
<b>5 Use bluetooth devices</b>	14
Pairing bluetooth devices	14
Make a call	15
Call transfer	15
Receive call	15
Terminate call	15
Play audio files from bluetooth devices	15
<b>6 Play audio files</b>	16
Play from USB	16
Insert a card	16
Play options	16
Connect external sound source	17
<b>7 Adjust sound</b>	18
Adjust volume	18
Mute	18
Turn Dynamic Bass Boost (DBB) on/off	18

Turn MAX sound on/off	18
Select preset equalizer	18
Switch music listening zone	18
Other sound settings	18

<b>8 Adjust system settings</b>	19
BT mode	19
Turn beep sound on/off	19
Select blackout setting	19
Turn demo mode on/off	19
Dimmer	19
Dance	19
Reset	20

<b>9 Additional information</b>	21
Detach the front panel	21
Replace fuse	21
Remove the unit	21

<b>10 Product information</b>	22
-------------------------------	----

<b>11 Troubleshooting</b>	23
About Bluetooth device	23

<b>12 Glossary</b>	24
--------------------	----

# 1 Important

## Safety

- Read and understand all instructions before you use your apparatus. If damage is caused by failure to follow instructions, the warranty does not apply.
- This apparatus is designed for negative ground (earth) 12 V DC operation only.
- To ensure safe driving, adjust the volume to a safe and comfortable level.
- Improper fuses can cause damage or fire. When you need to change the fuse, consult a professional.
- Use only the supplied mounting hardware for a safe and secure installation.
- To avoid short circuit, do not expose the apparatus, remote control or remote control batteries to rain or water.
- Never insert objects into the ventilation slots or other openings on the apparatus.
- Clean the apparatus and frame with a soft, damp cloth. Never use substances such as alcohol, chemicals or household cleaners on the apparatus.
- Never place any objects other than discs into the apparatus.
- Never use solvents such as benzene, thinner, cleaners available commercially, or anti-static sprays intended for discs.
- Visible and invisible laser radiation when open. Avoid exposure to beam.
- Risk of damage to the apparatus screen! Never touch, push, rub or strike the screen with any object.

### Caution

- Use of controls or adjustments or performance of procedures other than herein may result in hazardous radiation exposure or other unsafe operation.

- The apparatus shall not be exposed to dripping or splashing.
- Do not place any sources of danger on the apparatus (e.g. liquid filled objects, lighted candles).

## Notice



The making of unauthorized copies of copy-protected material, including computer programs, files, broadcasts and sound recordings, may be an infringement of copyrights and constitute a criminal offence. This equipment should not be used for such purposes.



Windows Media and the Windows logo are trademarks, or registered trademarks of Microsoft Corporation in the United States and/or other countries.

## Recycling



Your product is designed and manufactured with high quality materials and components, which can be recycled and reused.

When you see the crossed-out wheel bin symbol attached to a product, it means the product is covered by the European Directive 2002/96/EC:



Never dispose of your product with other household waste. Please inform yourself about the local rules on the separate collection of electrical and electronic products. The correct disposal of your old product helps prevent potentially negative consequences on the environment and human health.

Your product contains batteries covered by the European Directive 2006/66/EC, which cannot be disposed of with normal household waste.

Please inform yourself about the local rules on separate collection of batteries. The correct disposal of batteries helps prevent potentially negative consequences on the environment and human health.



This product complies with the radio interference requirements of the European Community.

#### **Environmental information**

All unnecessary packaging has been omitted. We have tried to make the packaging easy to separate into three materials: cardboard (box), polystyrene foam (buffer) and polyethylene (bags, protective foam sheet.)

Your system consists of materials which can be recycled and reused if disassembled by a specialized company. Please observe the local regulations regarding the disposal of packaging materials, exhausted batteries and old equipment.

Any changes or modifications made to this device that are not expressly approved by Philips Consumer Lifestyle may void the user's authority to operate the equipment.

2011 © Koninklijke Philips Electronics N.V. All rights reserved.

Specifications are subject to change without notice. Trademarks are the property of Koninklijke Philips Electronics N.V. or their respective owners. Philips reserves the right to change products at any time without being obliged to adjust earlier supplies accordingly.

## 2 Your car audio system

Congratulations on your purchase, and welcome to Philips! To fully benefit from the support that Philips offers, register your product at [www.philips.com/welcome](http://www.philips.com/welcome).

### Introduction

With the in-car audio system, you can enjoy your drive while listening to:

- FM or AM (MW) radio
- Audio from USB devices
- Audio from your mobile phone
- Audio from SD/SDHC card
- Audio from external devices

The unit supports the following media format:



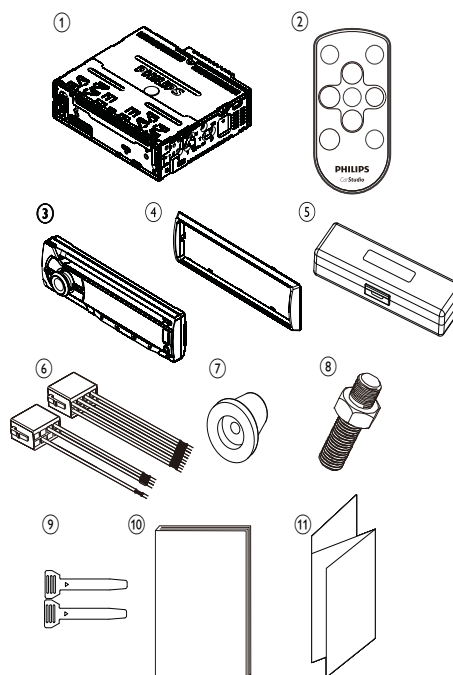
Besides, you can make a call, answer and hang up a call on the audio system.

### What's in the box

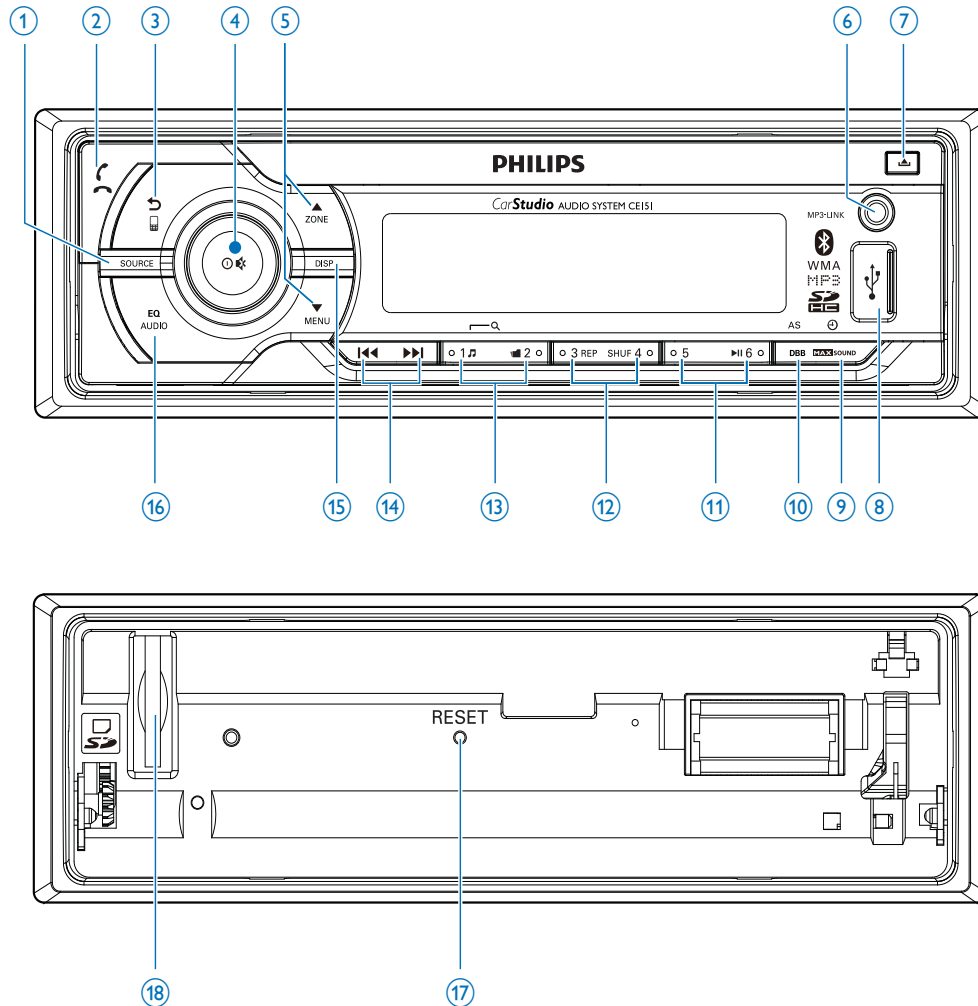
Check and identify the contents of your package:

- ① Main unit (with a sleeve)
- ② Remote control
- ③ Front panel
- ④ Trim plate
- ⑤ Carrying case for front panel

- ⑥ ISO male connector
- ⑦ Rubber cushion
- ⑧ Screw x 1 pc
- ⑨ Disassembly tools x 2 pcs
- ⑩ User manual
- ⑪ Quick start guide



## Overview of the main unit



### ① SOURCE

- Select audio source.

### ②

- Press to answer or redial a call.
- Press to terminate call.

### ③ /









- Return to previous menu.
- Press and hold to transfer call.

### ④

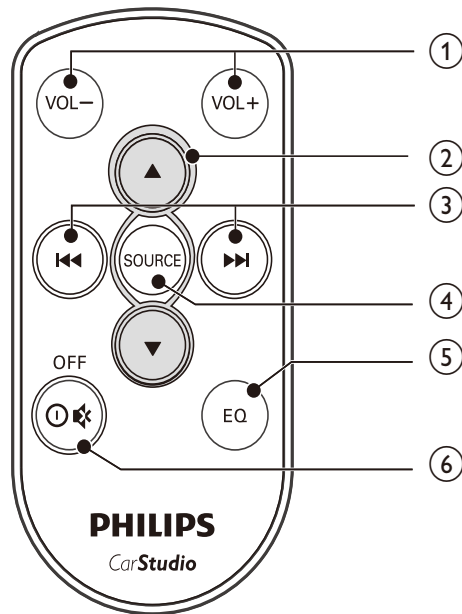
- Turn the unit on or off.
- Confirm selection.
- Mute or unmute sound.
- Rotate to adjust volume.





### ⑤ ZONE ▲ / ▼ MENU

- Select tuner band.
- Select MP3/WMA folder.
- Switch music listening zone.
- Access system menu.

- ⑥ **MP3 LINK**
  - Connect external audio device.
- ⑦ 
  - Unlock the panel.
- ⑧ 
  - USB socket.
- ⑨ 
  - Turn maximizing volume on or off.
  - View clock.
- ⑩ **DBB**
  - Turn Dynamic Bass Boost (DBB) sound on or off.
  - Access to tuner auto store.
- ⑪ 
  - Play.
  - Pause or resume play.
  - Select preset radio station No.6.
- ⑫ **REP / SHUF**
  - Repeat play.
  - Shuffle play.
  - Select preset radio station No.3/4.
- ⑬  / 
  - Search for track/folder.
  - Select preset radio station No.1/2.
- ⑭  / 
  - Tune for radio station.
  - Skip/search for track.
  - Fast forward/backward playback.
- ⑮ **DISP**
  - Display current status.
  - Turn the dimmer on or off.
- ⑯ **EQ / AUDIO**
  - Select equalizer (EQ) setting.
  - Access audio setting menu.
- ⑰ **RESET**
  - Restore default settings.
- ⑱ **SD card slot**

## Overview of the remote control



- ① **VOL +/-**
  - Adjust volume.
- ② 
  - Select tuner band.
  - Scroll up/down menu.
  - Select MP3/WMA folder.
- ③ 
  - Tune to a radio station
  - Skip track.
  - Fast backward/forward playback
- ④ **SOURCE**
  - Select audio source.
- ⑤ **EQ**
  - Select equalizer (EQ) settings.
- ⑥ **OFF /  / **
  - Turn the unit on or off.
  - Mute or restore volume.

## 3 Get started

### ! Caution

- Use the controls only as stated in this user manual.

Always follow the instructions in this chapter in sequence.

If you contact Philips, you will be asked for the model and serial number of your device. The model number and serial number are on the bottom of your device. Write the numbers here:

Model No. \_\_\_\_\_

Serial No. \_\_\_\_\_

### Install the car audio

These instructions are for a typical installation. However, if your car has different requirements, make the corresponding adjustment. If you have any questions regarding installation kits, consult your Philips car audio dealer.

### ! Caution

- This unit is designed for negative ground (earth) 12 V DC operation only.
- Always install this unit in the car dashboard. Other locations can be dangerous as the rear of the unit heats up during use.
- To avoid short-circuit: before you connect, ensure that the ignition is off.
- Ensure that you connect the yellow and red power supply leads after all other leads are connected.
- Ensure that all loose leads are insulated with electrical tape.
- Ensure that the leads do not get caught under screws or in parts that will move (e.g. seat rail).
- Ensure that all ground (earth) leads run to a common ground (earth) point.
- Use only the supplied mounting hardware for a safe and secure installation.
- Improper fuses can cause damage or fire. When you need to change the fuse, consult a professional.

### Note on the power supply lead (yellow)

- When you connect other devices to this system, ensure that the rating of the car circuit is higher than the total fuse value of all the connected devices.

### Notes on speaker connection

- Never connect speaker wires to the metal body or chassis of the car.
- Never connect speaker wires with stripes to one another.

### Connect wires: ISO male connectors

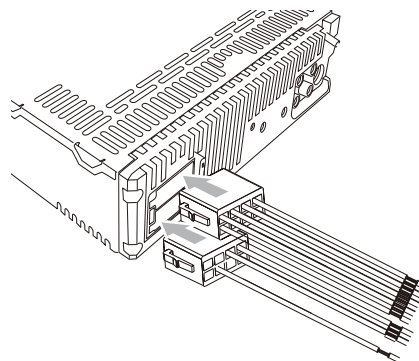
#### ! Caution

- Ensure that all loose leads are insulated with electrical tape.

#### ☰ Note

- Consult a professional to connect CE151 as instructed below.

- 1 Connect the supplied male connector to the unit.

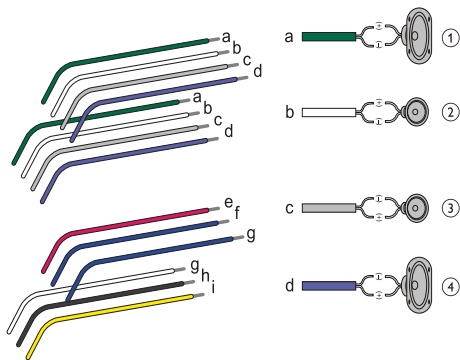




- 2** Check the car's wiring carefully and connect them to the supplied male connector:

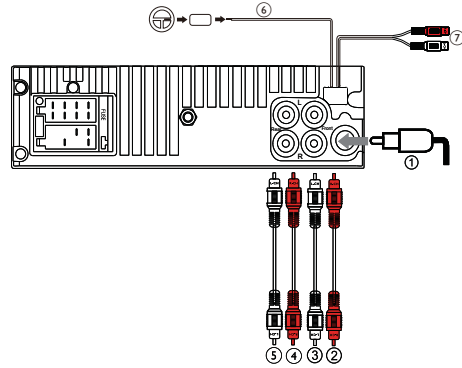
**Note**

- Risk of danger! Please consult a professional to perform the steps below!



1	Green/black strip	Left speaker (Rear)
2	White/black strip	Left speaker (Front)
3	Gray/black strip	Right speaker (Front)
4	Purple/black strip	Right speaker (Rear)
e	Red	Ignition key +12V DC when ON/ACC
f	Blue	Motor/electric antenna relay control lead
g	Blue/white	Amplifier relay control lead
h	Black	Ground
i	Yellow	To the +12V car battery which is energized at all times

- 3** Connect the antenna and amplifier as illustrated, if applicable.



	Connector	Connect to
1	ANTENNA	Antenna
2	FRONT LINE OUT R (Socket)	Front right speaker
3	FRONT LINE OUT L (Socket)	Front left speaker
4	REAR LINE OUT R (Socket)	Rear right speaker
5	REAR LINE OUT L (Socket)	Rear left speaker
6	OE REMOTE (Purple)	OE Remote
7	REAR AUX (Yellow)	Aux right/left

**Tip**

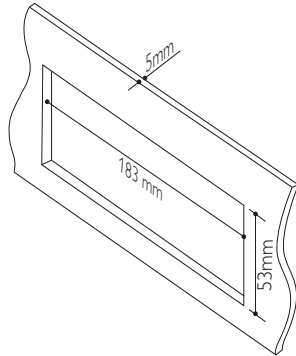
- The pin arrangement for the ISO connectors depends on the type of vehicle you drive. Be sure to make proper connections to prevent damage to the unit.

**Mount into the dashboard**

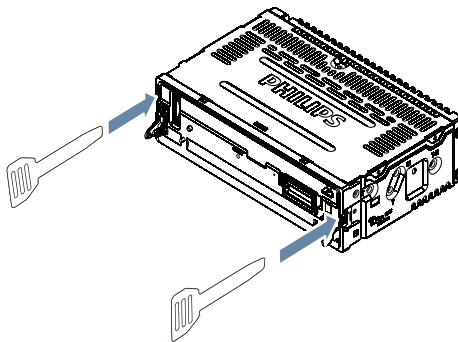
- 1** If the car does not have an on-board drive or navigation computer, disconnect the negative terminal of the car battery.
- If you disconnect the car battery in a car that has an on-board drive or navigation computer, the computer may lose its memory.

- If the car battery is not disconnected, to avoid short-circuit, ensure that the bare wires do not touch each other.

2 Ensure that car dashboard opening is within these measurements:



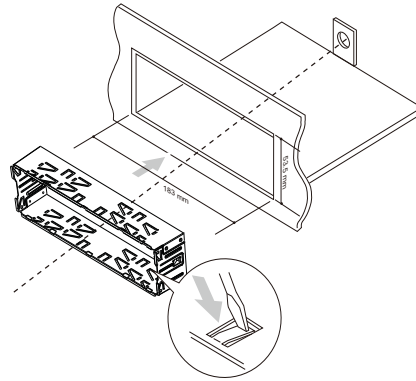
3 Remove the mounting sleeve with the supplied disassembly tools.



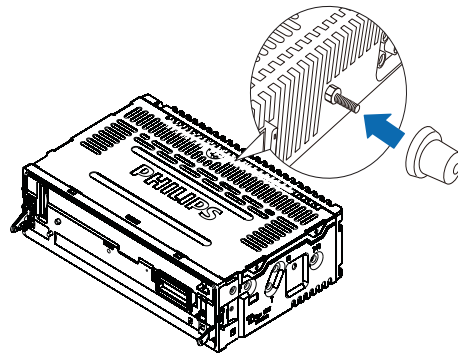
4 Install the sleeve into the dashboard and bend the tabs outward to fix the sleeve.

#### Note

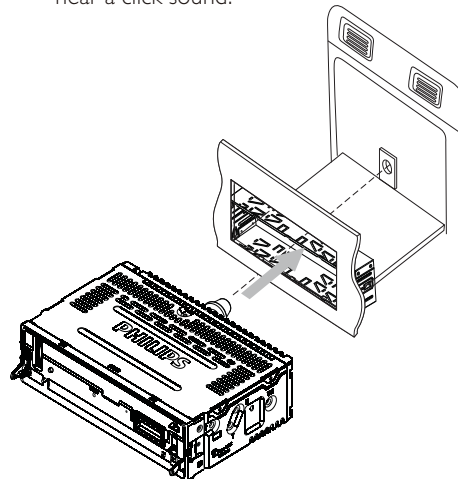
- If the unit is not fixed by sleeve but by the supplied screws, skip this step.



5 Place the supplied rubber cushion over the end of the mounting bolt.



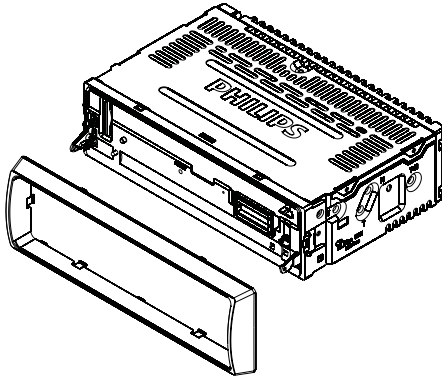
6 Slide the unit into the dashboard until you hear a click sound.



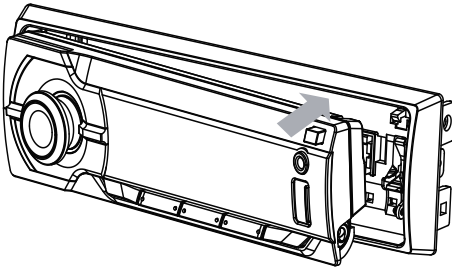
- 7 Reconnect the negative terminal of the car battery.

### Attach the front panel

- 1 Attach the trim plate.



- 2 Insert the left side of the panel in the chassis until it is correctly engaged.
- 3 Press the right side of the panel until it is locked into place.



### Install remote control battery

#### ! Caution

- Risk of explosion! Keep batteries away from heat, sunshine or fire. Never discard batteries in fire.
- Risk of decreased battery life! Never mix different brands or types of batteries.

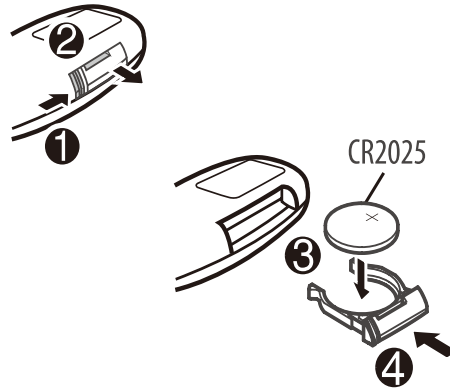
- Risk of product damage! When the remote control is not used for long periods, remove the batteries.
- Perchlorate Material - special handling may apply. See [www.dtsc.ca.gov/hazardouswaste/perchlorate](http://www.dtsc.ca.gov/hazardouswaste/perchlorate).

#### For first-time use:

Remove the protective tab to activate the remote control battery.

#### To replace the remote control battery:

- 1 Open the battery compartment.
- 2 Insert one CR2025 battery with correct polarity (+/-) as indicated.
- 3 Close the battery compartment.



### Turn on

To turn the unit on,

- press . To turn the unit off,
- press and hold until the unit is turned off.

### Select country/region

#### ≡ Note

- Select correct country/region for this unit, otherwise the unit can not work properly.

- 1 Press **⊕** to turn the unit on.  
↳ **[SELECT OPERATING REGION]** is displayed.
- 2 Rotate **⊕** to select an option:
  - **[USA]** (United States)
  - **[EUR]** (Western Europe)
  - **[RUS]** (Russia)
  - **[AUS]** (Australia)
  - **[EAS]** (Middle East)
  - **[ASI]** (Asia Pacific)
  - **[JAP]** (Japan)
  - **[LAT]** (Latin America)
- 3 Press **⊕** to confirm.

## Set clock

- 1 Press **MENU** repeatedly until current time is flashed.
- 2 Rotate **⊕** to set hour.
- 3 Press **⊕** to confirm.
- 4 Rotate **⊕** to set minute.
- 5 Press **⊕** to confirm.

## Set clock format

- 1 Press **MENU**.
- 2 Press **▲** or **▼** repeatedly until **[CLOCK FORMAT]** is displayed.
- 3 Rotate **⊕** to select a setting:
  - **[CLOCK 12H]**
  - **[CLOCK 24H]**

## View clock

In any mode, press and hold **MAX SOUND** until the clock is displayed.

- Press any key to cancel the clock display.

## 4 Listen to radio

### Tune to a radio station

- 1 Press **SOURCE** repeatedly to select radio mode.
- 2 Press **ZONE ▲ / ▼** repeatedly to select band: **[FM1]**, **[FM2]**, **[FM3]**, **[AM1]**, or **[AM2]**.
- 3 Press and hold **◀◀** or **▶▶** to tune to a radio station manually.  
↳ The radio station is broadcast.  
↳ To search for a radio station automatically, press **◀◀** or **▶▶**.

### Select tuner region

You can select suitable country/region of the radio.

- 1 Press **SOURCE** to select radio mode.
- 2 Press and hold **MENU** repeatedly until **[AREA]** is displayed..
- 3 Rotate **⊕** to select:
  - **[USA]** (United States)
  - **[EUR]** (Western Europe)
  - **[RUS]** (Russia)
  - **[AUS]** (Australia)
  - **[EAS]** (Middle East)
  - **[ASI]** (Asia Pacific)
  - **[JAP]** (Japan)
  - **[LAT]** (Latin America)

### Select tuner sensitivity

To receive more radio stations or only stations with strong signal, you can adjust the tuner sensitivity.

- 1 Press and hold **MENU** repeatedly until **[LOCAL]** is displayed.
- 2 Rotate  $\odot$  to select a setting:
  - **[LOCAL ON]** (local on): only stations with strong signal can be broadcast.
  - **[LOCAL OFF]** (local off): stations with strong and weak signals can be broadcast.

---

## Store radio stations in memory

You can store up to six stations in each band.

---

### Store stations automatically

- 1 In radio mode, press and hold **DBB** until **[STORE - - -]** is displayed.
- 2 Press  $\odot$  to confirm.
  - ↳ The six strongest stations of the selected band are saved in the preset channel automatically.

---

### Store stations manually

- 1 Tune to a station that you want to store. (see 'Tune to a radio station' on page 13)
- 2 Press a numeric button for three seconds.
  - ↳ The station is saved in the selected channel.

---

## Tune to a preset station

- 1 Press **ZONE ▲ / ▼** to select band.
- 2 Press the numeric button to select a preset station.

## 5 Use bluetooth devices

With this car audio system, you can listen to audio files from a player or make a call if bluetooth connection is available on your phone or player:

---

### Pairing bluetooth devices

You can pair your bluetooth device with the unit as follows:



#### Note

- For pairing operation, make sure to switch on the **[BT MODE]** on the unit.

- 1 Turn on bluetooth function on your device.
- 2 Search for other bluetooth devices that can pair with your device.
- 3 Select "Philips" in the pairing list.
- 4 Enter default password "0000".
  - ↳ **[PAIR OK]** is displayed on the panel if pairing is successful.
  - ↳ The paired device connect to the car audio system automatically.

#### To disconnect the bluetooth

- 1 Press and hold **MENU**.
  - ↳ **[DISCONN]** is displayed.
- 2 Press  $\odot$  /  $\text{📶}$ .
  - ↳ **[DISCONN OK]** is displayed if disconnection is successful.

#### To connect the bluetooth

- 1 Press and hold **MENU**.
  - ↳ **[CONNECT]** is displayed.
- 2 Press  $\odot$  /  $\text{📶}$ .
  - ↳ **[WAIT]** is displayed.

- ↳ [CONNECTED] is displayed if connection is successful.
- ↳ [FAILED] is displayed if connection is failed.

## Make a call

### Note

- To make an outgoing call on this unit, the bluetooth connection between the unit and the phone must be active.

You can dial number through the mobile phone.

### To make call through the mobile phone.

- 1 Use the Mobile Phone to dial and make an outgoing call.
- 2 Once completed the dialing, [CALL] is displayed.

### To redial number:

- 1 Press .
  - ↳ [REDIAL] is displayed.
- 2 Press again.
  - ↳ [CALL] is displayed and the unit starts dialing the number dialed last time.

## Call transfer

You can transfer voice from loudspeaker to mobile phones during call.

Press and hold until [TRANSFER] is displayed.

- ↳ Voice transfers from loudspeaker to mobile phone.

## Receive call

- 1 If there is incoming call, the phone number is displayed.
  - if the incoming call has no phone number, [PHONE IN] is displayed.
- 2 Press to answer/accept the call.

## Terminate call

Press and hold to terminate call.

## Play audio files from bluetooth devices

You can listen to audio from a bluetooth device and control playback with the unit.

Press **SOURCE** repeatedly to select [BT AUDIO].

- To start play, press / .

### Note

- Some mobile phone supports auto playback, no need to start play manually.
- Some mobile phone needs to open the Media Players for audio files wireless playback.

- To pause, press / again.
- To track up/down, press / .


## 6 Play audio files

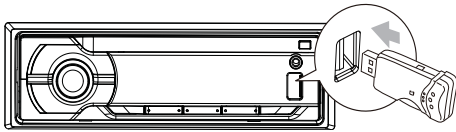
### Play from USB

#### Note


- Ensure that the USB device contains playable music.

#### Insert the USB device

- 1 Slide the USB socket cover marked  to the left.
- 2 Insert the USB device into the USB socket.  
↳ The unit starts to play from the USB device automatically.




#### Remove the USB device

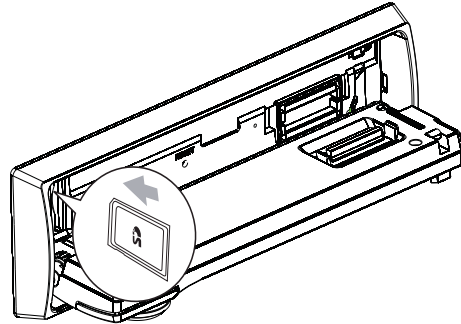
- 1 Press  to turn the unit off.
- 2 Remove the USB device.

### Insert a card


#### Note

- This unit supports SD and SDHC cards.







- 1 Press  to release the panel.
- 2 Insert the card into the card slot.
- 3 Close the front panel.  
↳ The unit starts playing from the card automatically.



#### Remove the card




- 1 Press  to turn the unit off.
- 2 Press the card until you hear a click.  
↳ The card is now disengaged.
- 3 Remove the card.

### Play options

- To pause, press .
- To resume play, press  again.
- To skip to the previous/next track, press  / .
- To search backward/forward rapidly within the current track, press  /  for 3 seconds.

### Search for an MP3/WMA track

#### Search within the current folder

- 1 Press .  
↳ The name of the current track is displayed.
- 2 Rotate  to select another track in current folder.
- 3 Press  to confirm.

### Search in other folder

- 1 Press **■**.  
↳ The name of the current folder is displayed.
- 2 Rotate **⊖** to navigate through all folders.
- 3 Press **⊖** to access the selected folder.  
↳ The unit starts playing the first song from the selected folder automatically.



#### Tip

- To go back to upper level of a folder, press **↶**.

### View play information

During playing, press **DISP** repeatedly to view:

- Track number and elapsed play time
- Folder
- File
- Album
- Artist
- Title

### Repeat play

- 1 During play, press **REP**.  
↳ **[REP]** is displayed.
- 2 Rotate **⊖** to select a setting.
  - **[RPT TRK]** (repeat one track): play current track repeatedly.
  - **[RPT FLD]** (repeat a folder): play all tracks in the current folder repeatedly.
  - **[RPT ALL]** (repeat all tracks): play all tracks repeatedly.

### Shuffle play

You can play the tracks in random order:

- 1 During play, press **SHUF**.  
↳ **[SHUF]** is displayed.

- 2 Rotate **⊖** to select a setting:
  - **[SHUF FLD]**: start random play for all tracks in the current folder.
  - **[SHUF ALL]**: start random play for all tracks.
  - **[SHUF OFF]**: turn off random play.

### Connect external sound source

- 1 Connect the external sound source to **MP3 LINK** socket with a 3.5 mm cable.
- 2 Press **SOURCE** repeatedly until **[MP3 LINK]** is displayed.
- 3 Operate the external component (refer to the instructions supplied with the external component).



## 7 Adjust sound

---

### Adjust volume

Turn  $\odot$  clockwise/counterclockwise to increase/decrease volume.

---

### Mute

You can turn off the sound of your audio.

During play, press  $\odot$ .

- To resume sound, press  $\odot$  again.

---

### Turn Dynamic Bass Boost (DBB) on/off

- 1 Press **DBB** and the current setting is displayed:
  - ↳ **[DBB ON]** : the Dynamic Bass Boost (DBB) function is on.
  - ↳ **[DBB OFF]** : the DBB function is off.
- 2 Press **DBB** again to change the DBB setting.

---

### Turn MAX sound on/off

- 1 Press **MAX SOUND**.
  - ↳ The current setting displays
  - ↳ **[MAX ON]**: the maximum sound (MAX sound) function is on.
  - ↳ **[MAX OFF]**: the maximum sound function is off.
- 2 Press **MAX SOUND** again to select an option.

---

### Select preset equalizer

- 1 Press **EQ / AUDIO**.
  - ↳ Current Equalizer setting is displayed.
- 2 Press **EQ / AUDIO** again to select a preset EQ setting:

- **[FLAT]** (flat)
- **[POP]** (pop)
- **[USER]** (user)
- **[TECHNO]** (techno)
- **[ROCK]** (rock)
- **[CLASSIC]** (classic)
- **[JAZZ]** (jazz)
- **[OPTIMAL]** (optimal)

---

### Switch music listening zone

Philips' innovative Zone technology enables driver or passengers to enjoy music with the best speaker balance and experience more vivid spacial effects as the artist is intended to create. You can switch the music listening zone from driver to passengers for the best speaker sound settings in car:

- 1 Press and hold **ZONE**.
  - ↳ The current setting is displayed.
- 2 Rotate  $\odot$  to select a setting:
  - **[ALL]**
  - **[FRONT -L]** (Front left)
  - **[FRONT -R]** (Front right)
  - **[FRONT]**

---

### Other sound settings

You can also adjust the preset **EQ / AUDIO** settings.

- 1 Press **EQ / AUDIO** for three seconds.
- 2 Press  $\blacktriangle$  or  $\blacktriangledown$  repeatedly to select the item to be adjusted:
  - **[BAS]** (bass) range: -7 to +7.
  - **[TRE]** (treble) range: -7 to +7.
  - **[BAL]** (balance) range: 12L to 12R. (L = left speaker, R = right speaker)
  - **[FAD]** (fader) range: 12R to 12F. (R = rear speaker, F = front speaker)
- 3 Rotate  $\odot$  to select a value.

## 8 Adjust system settings

### BT mode

- 1 Press and hold **MENU**.
- 2 Press **▲** or **▼** repeatedly until **[BT MODE]** (bluetooth mode) is displayed.
- 3 Rotate **⊖** to select a setting:
  - **[BT ON]**: turn the bluetooth on.
  - **[BT OFF]**: turn the bluetooth off.

### Turn beep sound on/off

Each time you press a button, the unit beeps. You can turn the beep sound on/off.

- 1 Press and hold **MENU**.
- 2 Press **▲** or **▼** repeatedly until **[BEEP]** is displayed.
- 3 Rotate **⊖** to select a setting:
  - **[BEEP ON]**: turn on the beep sound.
  - **[BEEP OFF]**: turn off the beep sound.

### Select blackout setting

You can set the screen to turn off automatically after the unit is idle for 10 or 20 seconds.

- 1 Press and hold **MENU**.
- 2 Press **◀◀** / **▶▶** repeatedly until **[BKO]** is displayed.
- 3 Rotate **⊖** to select a setting:
  - **[BKO 10 S]**: turn the screen off automatically 10 seconds after last operation.

- **[BKO 20 S]**: turn the screen off automatically 20 seconds after last operation.
- **[BKO OFF]**: never turn the screen off.

### Turn demo mode on/off

- 1 Press and hold **MENU**.
- 2 Press **▲** or **▼** repeatedly until **[DEMO]** is displayed.
  - ↳ The screen shows current demo mode setting.
- 3 Rotate **⊖** to select a setting:
  - **[DEMO ON]**: turn the demo mode on. When the unit is idle for more than 10 seconds, all functions are displayed.
  - **[DEMO OFF]**: turn the demo mode off.

### Dimmer

- 1 Press and hold **MENU**.
- 2 Press **▲** or **▼** repeatedly until **[DIMMER]** is displayed.
- 3 Rotate **⊖** to select a setting:
  - **[DIMM HIGH]** (dimmer high)
  - **[DIMM LOW]** (dimmer low)

### Dance

You can turn on or off the spectrum on the LCD display.

- 1 Press and hold **MENU**.
- 2 Press **▲** or **▼** repeatedly until **[DANCE]** is displayed.

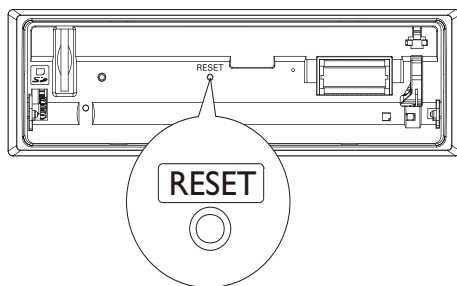
- 3** Rotate  $\odot$  to select a setting:
- **[DANCE ON]** : turn the spectrum on.
  - **[DANCE OFF]** : turn the spectrum off.

---

## Reset

You can reset the unit to its default setting.


- 1** Detach the front panel.
- 2** Press the reset button by using a ball-point pen or a similar tool.
  - ↳ Preset adjustments such as preset channels and sound adjustments are erased.

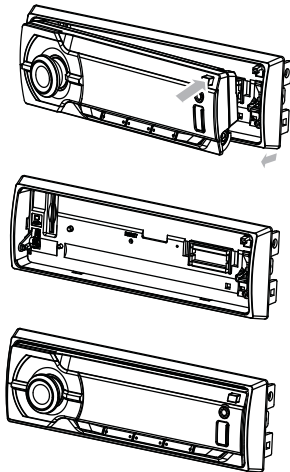


## 9 Additional information

### Detach the front panel

You can detach the front panel to deter theft.

- 1 Press  to release the panel.
- 2 Push the left side of the panel rightward.
- 3 Pull the panel towards you to disengage it from the chassis.
- 4 Store the panel in the supplied carry case to protect it from dirt or damage.

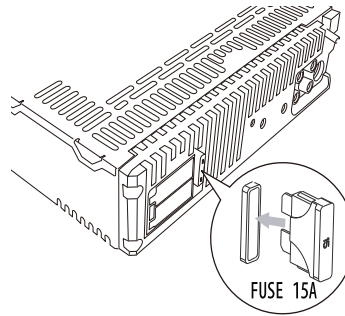


### Replace fuse

If the fuse is damaged,

- 1 Check the electric connection.
- 2 Buy a fuse that matches the voltage of the damaged fuse.

- 3 Replace the fuse.



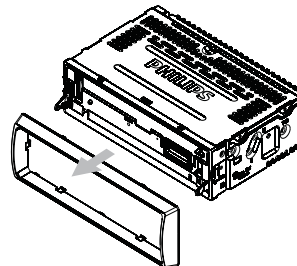
#### Note

- If the new fuse gets damaged again, there may be an internal malfunction. Consult your Philips dealer.

### Remove the unit

You can remove the unit from the dashboard.

- 1 Detach the front panel and the trim plate.
- 2 Pull out the unit by using the disassembly tools.



# 10 Product information

## Note

- Product information is subject to change without prior notice.

Power supply	12 V DC (11 V - 16 V), negative ground
Fuse	15 A
Suitable speaker impedance	4 - 8 $\Omega$
Maximum power output	50 W $\times$ 4 channels
Continuous power output	22 W $\times$ 4 RMS (4 $\Omega$ 10% T.H.D.)
Pre-Amp output voltage	2.5 V
Aux-in level	$\geq$ 500 mV
Dimensions (W $\times$ H $\times$ D)	182 $\times$ 52 $\times$ 144.7 mm
Weight	0.86 kg

## Radio

Frequency range - FM	87.5 - 108.0 MHz (100kHz per step in auto search and 50kHz per step in manual search)
Frequency range - AM (MW)	522 - 1620 KHz (9 kHz) 530 - 1710 kHz (10 kHz)
Usable sensitivity - FM	8 $\mu$ V
Usable sensitivity - AM(MW) (S/N = 20 dB)	30 $\mu$ V

## Bluetooth

Output power	0 dBm (Class 2)
Frequency band	2.4000 GHz - 2.4835 GHz ISM Band
Range	3 meters (free space)
Standard	Bluetooth 2.0 specification

## Compatible USB devices:

- USB flash memory: USB 1.1 host with interface reading all speed support (1.1, 2.0)
- USB flash players: USB 1.1 host with interface reading all speed support (1.1, 2.0)
- Memory cards (SD / SDHC)

## Supported formats:

- USB or memory file format: FAT16, FAT32
- MP3 bit rate (data rate): 32-320 Kbps and variable bit rate
- WMA V4, V7, V8, V9 (L1, L2)
- Supported sampling frequencies: 44.1 kHz, 48 kHz
- Directory nesting up to a maximum of 8 levels
- Number of albums / folders: USB or memory maximum 99
- Number of tracks / titles / files: USB or memory maximum 999
- ID3 tag v2.0 or later
- File name in Unicode UTF8 (maximum length 64 bytes)

## Unsupported formats:

- Empty albums: an empty album is an album that does not contain MP3/ WMA files, and not be shown in the display.
- Unsupported file formats are skipped. For example, Word documents (.doc) or MP3 files with extension .dlf are ignored and not played.
- AAC, WAV, PCM audio files
- DRM protected WMA files (.wav, .m4a, .m4p, .mp4, .aac)
- WMA files in lossless format

# 11 Troubleshooting

## Caution

- Never remove the casing of this device.

To keep the warranty valid, never try to repair the system yourself.

If you encounter problems when using this apparatus, check the following points before requesting service. If the problem remains unsolved, go to the Philips web site ([www.philips.com/support](http://www.philips.com/support)). When you contact Philips, ensure that your apparatus is nearby and the model number and serial number are available.

### No power or no sound.

- Car engine is not on. Turn the car engine on.
- Cable is not connected properly. Check connections.
- Fuse is burnt. Replace fuse.
- Volume is too low. Adjust volume.
- If the above solutions cannot help, press the RESET button.
- Ensure that the track played is of a compatible format.

### Noise in broadcasts.

- Signals are too weak. Select other stations with stronger signals.
- Check the connection of the car antenna.
- Change broadcast from stereo to mono.

### Preset stations lost.

- Battery cable is not connected correctly. Connect the battery cable to the terminal that is always live.

### Display show ERR-12

- USB data error. Check the USB device.

### Display show ERR-3

- USB/SD data error.

## About Bluetooth device

English

### Cannot pair the Bluetooth enabled device with the car audio system.

- The device does not support the profiles required for the system.
- The Bluetooth function of the device is not enabled. Refer to the user manual of the device for how to enable the function.

### The audio quality is poor after connection with a Bluetooth-enabled device.

- The microphone is not correctly positioned. Adjust the position of the microphone. For example, stick the microphone onto the dashboard where close to the driver.
- The Bluetooth reception is poor. Move the device closer to the car audio system or remove any obstacle between the device and the system.

### Music playback is unavailable on the system even after successful Bluetooth connection.

The device cannot be used with the system to play music.

### The paired mobile phone connects and disconnects constantly.

- The Bluetooth reception is poor. Move the mobile phone closer to the car audio system or remove any obstacle between the mobile phone and the system.
- Some mobile phones may connect and disconnect constantly when you make or end calls. This does not indicate any malfunction of the system.
- For some mobile phones, the Bluetooth connection may be deactivated automatically as a power-saving feature. This does not indicate any malfunction of the system.

## 12 Glossary

---

### M

#### **MP3**

A file format with a sound data compression system. MP3 is the abbreviation of Motion Picture Experts Group 1 (or MPEG-1) Audio Layer 3. With the MP3 format, one CD-R or CD-RW can contain about 10 times more data than a regular CD.

---

### S

#### **SD**

Secure Digital. A type of memory card with a flash memory.

#### **SDHC**

Secure Digital High Capacity (SDHC) is a type of flash memory card based on the SDA 2.00 specification. The SDA 2.00 specification enables SD cards to reach higher capacities from 4GB to 32GB, and growing.

---

### W

#### **WMA (Windows Media Audio)**

An audio format owned by Microsoft, is a part of Microsoft Windows Media technology. Includes Microsoft Digital Rights Management tools, Windows Media Video encoding technology, and Windows Media Audio encoding technology.



© 2011 Koninklijke Philips Electronics N.V.  
All rights reserved.  
CE151\_UM\_00\_V1.0





## Free Manuals Download Website

<http://myh66.com>

<http://usermanuals.us>

<http://www.somanuals.com>

<http://www.4manuals.cc>

<http://www.manual-lib.com>

<http://www.404manual.com>

<http://www.luxmanual.com>

<http://aubethermostatmanual.com>

Golf course search by state

<http://golfingnear.com>

Email search by domain

<http://emailbydomain.com>

Auto manuals search

<http://auto.somanuals.com>

TV manuals search

<http://tv.somanuals.com>