

Register your product and get support at
www.philips.com/welcome

CEM3000



EN User manual

PHILIPS

Contents

1 Important	4	6 Adjust sound	17
Safety	4	Adjust volume	17
Notice	4	Mute	17
<hr/>		Turn Full Sound on/off	17
2 Your car audio system	6	Select preset equalizer	17
Introduction	6	Turn on/off max sound	17
What's in the box	6	Switch music listening zone	17
Overview of the main unit	7	Other sound settings	17
Overview of the remote control	8	<hr/>	
<hr/>		7 Adjust system settings	18
3 Get started	9	Turn beep sound on/off	18
Install the car audio	9	Select blackout setting	18
Attach the front panel	9	Turn demo mode on/off	18
Install remote control battery	10	LCD Color	19
Turn on	10	Reset	19
Select country/region	10	<hr/>	
Set clock	11	8 Additional information	20
<hr/>		Detach the front panel	20
4 Listen to radio	11	Replace fuse	20
Tune to a radio station	11	Remove the unit	20
Store radio stations in memory	12	<hr/>	
Tune to a preset station	12	9 Product information	21
<hr/>		<hr/>	
5 Play audio files	13	10 Troubleshooting	22
Play a disc	13	<hr/>	
Play from USB	13	11 Glossary	23
Insert a card	14	<hr/>	
Play from iPod/iPhone	14	<hr/>	
Search for an MP3/WMA track on iPod/iPhone	15	<hr/>	
View play information	16	<hr/>	
Repeat play	16	<hr/>	
Shuffle play	16	<hr/>	
Intro play	16	<hr/>	
Connect external sound source	16	<hr/>	

1 Important

Safety

- Read and understand all instructions before you use your apparatus. If damage is caused by failure to follow instructions, the warranty does not apply.
- This apparatus is designed for negative ground (earth) 12 V DC operation only.
- To ensure safe driving, adjust the volume to a safe and comfortable level.
- Improper fuses can cause damage or fire. When you need to change the fuse, consult a professional.
- Use only the supplied mounting hardware for a safe and secure installation.
- To avoid short circuit, do not expose the apparatus, remote control or remote control batteries to rain or water.
- Never insert objects into the ventilation slots or other openings on the apparatus.
- Clean the apparatus and frame with a soft, damp cloth. Never use substances such as alcohol, chemicals or household cleaners on the apparatus.
- Never place any objects other than discs into the apparatus.
- Never use solvents such as benzene, thinner, cleaners available commercially, or anti-static sprays intended for discs.
- Visible and invisible laser radiation when open. Avoid exposure to beam.
- Risk of damage to the apparatus screen! Never touch, push, rub or strike the screen with any object.

! Caution

- Use of controls or adjustments or performance of procedures other than herein may result in hazardous radiation exposure or other unsafe operation.

- The apparatus shall not be exposed to dripping or splashing.
- Do not place any sources of danger on the apparatus (e.g. liquid filled objects, lighted candles).

Notice



The making of unauthorized copies of copy-protected material, including computer programs, files, broadcasts and sound recordings, may be an infringement of copyrights and constitute a criminal offence. This equipment should not be used for such purposes.



Windows Media and the Windows logo are trademarks, or registered trademarks of Microsoft Corporation in the United States and/or other countries.



"Made for iPod" means that an electronic accessory has been designed to connect specifically to iPod and has been certified by the developer to meet Apple performance standards.

"Works with iPhone" means that an electronic accessory has been designed to connect specifically to iPhone and has been certified by the developer to meet Apple performance standards.

Apple is not responsible for the operation of this device or its compliance with safety and regulatory standards.

iPod is a trademark of Apple Inc., registered in the U.S. and other countries.

This apparatus includes this label:



Recycling



Your product is designed and manufactured with high quality materials and components, which can be recycled and reused. When you see the crossed-out wheel bin symbol attached to a product, it means the product is covered by the European Directive 2002/96/EC:



Never dispose of your product with other household waste. Please inform yourself about the local rules on the separate collection of electrical and electronic products. The correct disposal of your old product helps prevent potentially negative consequences on the environment and human health.

Your product contains batteries covered by the European Directive 2006/66/EC, which cannot be disposed of with normal household waste.

Please inform yourself about the local rules on separate collection of batteries. The correct disposal of batteries helps prevent potentially negative consequences on the environment and human health.



This product complies with the radio interference requirements of the European Community.

Environmental information

All unnecessary packaging has been omitted. We have tried to make the packaging easy to separate into three materials: cardboard (box), polystyrene foam (buffer) and polyethylene (bags, protective foam sheet.)

Your system consists of materials which can be recycled and reused if disassembled by a specialized company. Please observe the local regulations regarding the disposal of packaging materials, exhausted batteries and old equipment.

Any changes or modifications made to this device that are not expressly approved by Philips Consumer Lifestyle may void the user's authority to operate the equipment.
2010 © Koninklijke Philips Electronics N.V.
All rights reserved.

Specifications are subject to change without notice. Trademarks are the property of Koninklijke Philips Electronics N.V. or their respective owners. Philips reserves the right to change products at any time without being obliged to adjust earlier supplies accordingly.

2 Your car audio system

Congratulations on your purchase, and welcome to Philips! To fully benefit from the support that Philips offers, register your product at www.philips.com/welcome.

Introduction

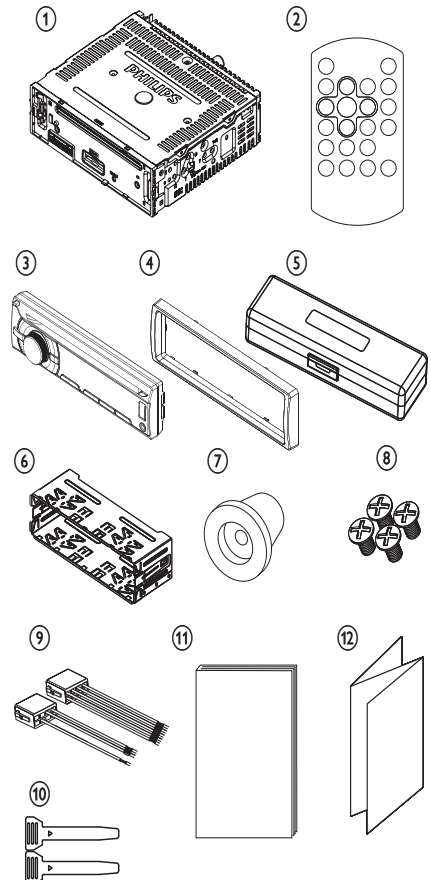
With the in-car audio system, you can enjoy your drive while listening to:

- FM or AM (MW) radio
- Audio from CD or MP3 disc
- Audio from USB devices
- Audio from SD/SDHC card
- Audio from iPod/iPhone
- Audio from other external devices

The unit supports the following media format:



- 3 Front panel
- 4 Trim plate
- 5 Carrying case for front panel
- 6 Sleeve
- 7 Rubber cushion
- 8 Screws x 4 pcs
- 9 ISO male connectors
- 10 Disassembly tools x 2 pcs
- 11 User manual
- 12 Quick start guide

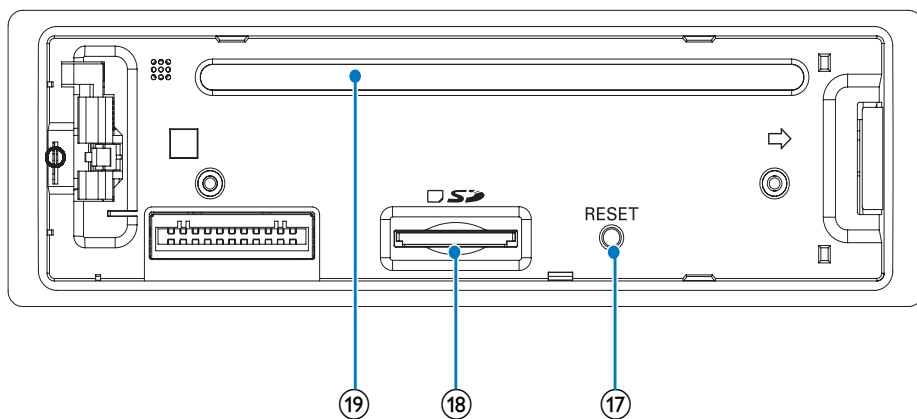
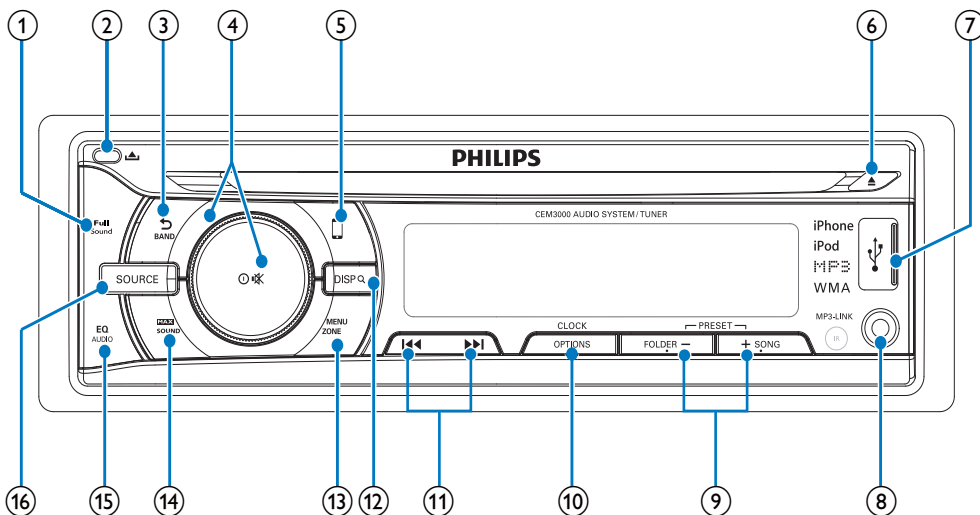


What's in the box

Check and identify the contents of your package:

- 1 Main unit
- 2 Remote control

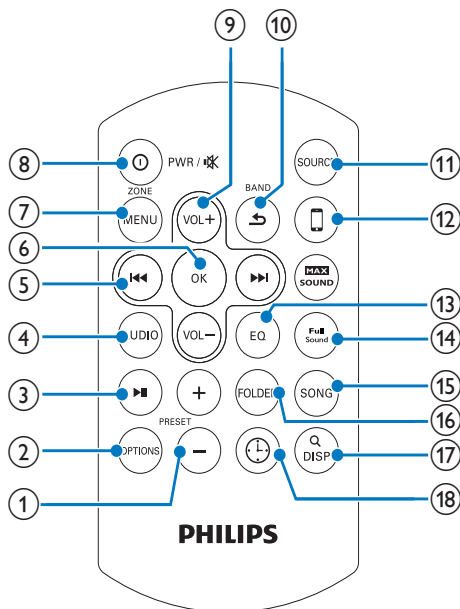
Overview of the main unit



- | | |
|--|---|
| <p>① Full Sound</p> <ul style="list-style-type: none"> • Turn on or off Full Sound. <p>② </p> <ul style="list-style-type: none"> • Unlock the panel. <p>③ BAND/</p> <ul style="list-style-type: none"> • Select tuner band. • Return to previous menu. | <p>④ </p> <ul style="list-style-type: none"> • Turn the unit on or off. • Confirm selection. • Mute or unmute sound. • Rotate to adjust settings. <p>⑤ </p> <ul style="list-style-type: none"> • Enter iPod/iPhone control mode. |
|--|---|

- ⑥ ▲
 - Eject disc.
- ⑦ ↶
 - USB socket.
- ⑧ **MP3 LINK**
 - Connect external audio device.
- ⑨ **+SONG/FOLDER -**
 - Select preset radio station.
 - Search for track/folder.
 - Access manual store.
- ⑩ **OPTIONS/CLOCK**
 - Access option menu.
 - View clock.
- ⑪ ⏮/⏭
 - Tune for radio station.
 - Skip/search for track.
 - Fast forward/backward playback.
- ⑫ **DISP/⏻**
 - Display LCD color.
 - Access search mode.
- ⑬ **MENU/ZONE**
 - Access system menu.
 - Access menu for switching the music listening zone.
- ⑭ **MAX SOUND**
 - Turn on or off Maximizing volume
- ⑮ **EQ AUDIO**
 - Select equalizer (EQ) setting.
 - Access audio setting menu.
- ⑯ **SOURCE**
 - Select audio source.
- ⑰ **RESET**
 - Restore default settings.
- ⑱ **SD card slot**
- ⑲ **Disc slot**

Overview of the remote control



- ① **PRESET +/-**
 - Select preset radio station.
 - Access manual store.
- ② **OPTIONS**
 - Access option menu.
- ③ **▶▶**
 - Start play.
 - Pause or resume play.
- ④ **AUDIO**
 - Access audio setting menu.
- ⑤ **⏮/⏭**
 - Tune to a radio station
 - Skip track.
 - Fast backward/forward playback
- ⑥ **OK**
 - Confirm selection.

- ⑦ **MENU/ZONE**
 - Access system menu.
 - Access menu for switching the music listening zone.
- ⑧ **Ⓛ/PWR/Ⓚ**
 - Turn the unit on or off.
 - Mute or restore volume.
- ⑨ **VOLUME +/-**
 - Adjust volume.
- ⑩ **BAND/↵**
 - Select tuner band.
 - Return to previous/top menu.
- ⑪ **SOURCE**
 - Select audio source.
- ⑫ **□**
 - Enter iPod/iPhone control mode.
- ⑬ **MAX SOUND**
 - Select Maximizing volume setting.
- ⑭ **EQ**
 - Select equalizer (EQ) setting.
- ⑮ **Full Sound**
 - Turn on or off Full Sound.
- ⑯ **SONG**
 - Search for track.
- ⑰ **FOLDER**
 - Search for folder.
- ⑱ **DISP/ρ**
 - Display LCD color.
 - Access Search mode.
- ⑲ **CLOCK**
 - View clock.

3 Get started



Caution

- Use the controls only as stated in this user manual.

Always follow the instructions in this chapter in sequence.

If you contact Philips, you will be asked for the model and serial number of your apparatus. The model number and serial number are on the bottom of your apparatus. Write the numbers here:

Model No. _____

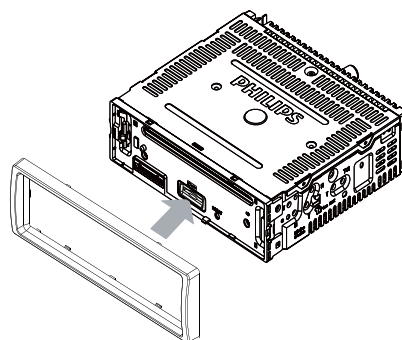
Serial No. _____

Install the car audio

Please refer to the "Installation guide" in Quick start guide.

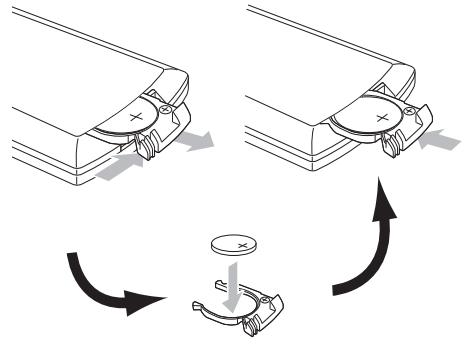
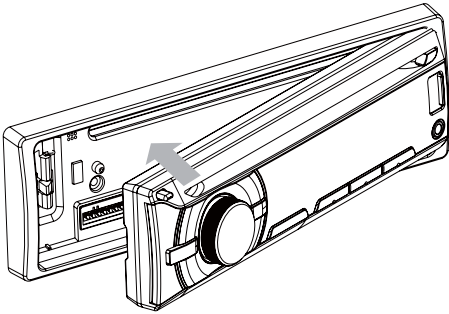
Attach the front panel

- 1 Attach the trim plate.



- 2 Insert the right side of the panel in the chassis until it is correctly engaged.

- 3 Press the left side of the panel until the mechanism locks it into place.



Install remote control battery

! Caution

- Risk of explosion! Keep batteries away from heat, sunshine or fire. Never discard batteries in fire.
- Risk of decreased battery life! Never mix different brands or types of batteries.
- Risk of product damage! When the remote control is not used for long periods, remove the batteries.
- Perchlorate Material - special handling may apply. See www.dtsc.ca.gov/hazardouswaste/perchlorate.

For first-time use:

- 1 Remove the protective tab to activate the remote control battery.

To replace the remote control battery:

- 1 Open the battery compartment.
- 2 Insert one CR2025 battery with correct polarity (+/-) as indicated.
- 3 Close the battery compartment.

Turn on

- 1 Press \odot to turn on the unit.
- To turn off the unit, press \odot for over 3 seconds.

Select country/region

≡ Note

- Select correct country/region for this unit, otherwise the unit can not work properly.

- 1 Press \odot to turn on the unit.
- ↳ [SELECT OPERATING REGION] is displayed.
- 2 Rotate \odot to select an option:
- [USA] (United States)
 - [Latin] (Latin America)
 - [Europe] (Western Europe)
 - [ASIA] (Asia Pacific)
 - [Mid-East] (Middle East)
 - [Russia] (Russia)
- 3 Press \odot to confirm.

Set clock

- 1 Press **MENU**.
- 2 Press **◀▶▶▶** repeatedly until **[CLK SET]** displays.
- 3 Rotate **⊙** encoder clockwise to set hour.
- 4 Press **⊙** to confirm.
- 5 Rotate **⊙** encoder anti-clockwise to set minute.
- 6 Press **⊙** to confirm.

View clock

- 1 Press and hold **OPTIONS** repeatedly until the clock is displayed.

4 Listen to radio

Tune to a radio station

- 1 Press **SOURCE** repeatedly to select radio mode.
- 2 Press **BAND/↵** to select band: **[FM1]**, **[FM2]**, **[FM3]**, **[AW1]** or **[AW2]** .
- 3 Press **◀▶** or **▶▶** to tune to a radio station manually.
 - ↳ The radio station is broadcast.
 - ↳ To search for a radio station automatically, press **◀▶** or **▶▶** for over 3 seconds.

Select tuner region

You can select suitable country/region of the radio.

- 1 Press **SOURCE** to select Radio mode.
- 2 Press **MENU**.
- 3 Press **◀▶▶▶** repeatedly until **[AREA]** displays.
- 4 Rotate **⊙** to select:
 - **[USA]**
 - **[LATIN]**
 - **[Europe]**
 - **[ASIA]**
 - **[M-EAST]**
 - **[RUSSIA]**

Select tuner sensitivity

To receive more radio stations or only stations with strong signal, you can adjust the tuner sensitivity.

- 1 Press **OPTIONS** repeatedly to select **[LOCAL SEEK]**.

- 2 Rotate \odot to select a setting:
 - **[LOCAL SEEK ON]**: Only stations with strong signal can be broadcast.
 - **[LOCAL SEEK OFF]**: Stations with strong and weak signals can be broadcast.

Store radio stations in memory

You can store up to 6 stations in each band.

Store stations automatically

- 1 Press **OPTIONS** repeatedly until **[AUTO-STORE]** displays.
- 2 Press \odot to confirm.
 - ↳ The six strongest stations of the selected band are saved in preset channel automatically.

Store stations manually

- 1 Tune to a station that you want to store.
- 2 Press and hold **+/PRESET** or **-/RRESET** to enter storing mode.
 - ↳ The preset number on LCD screen blinks..
- 3 Press **+/PRESET** or **-/RRESET** to select storing location.
- 4 Press \odot to confirm.
 - ↳ The station is saved in the selected channel.
 - ↳ The preset number on LCD screen lights up and remains on.

Tune to a preset station

- 1 Press **BAND/** to select band.
- 2 Press **+/PRESET** or **-/RRESET** to select the preset station.

5 Play audio files

Note

- Ensure that the disc or device contains playable files.

Play a disc

Note

- You cannot play CDs encoded with copyright protection technologies.

You can play commercially available audio CDs and these discs:

- CD-Recordables (CD-R)
- CD-Re-writables (CD-RW)
- MP3 CDs
- WMA CDs

Note

- Ensure that the disc contains playable content.

- 1 Insert a CD with the printed side facing up.
↳ Play starts automatically.
- To pause CD play, press \odot .
- To resume CD play, press \odot again.
- To skip to the previous/next track, press \lll or \ggg .
- To search backward/forward rapidly within the current track, press \lll or \ggg for 3 seconds.

Remove the CD

To take out the CD, press \blacktriangle on the front panel.

Tip

- If the disc is blocked in the disc compartment, press and hold \blacktriangle until the disc comes out.

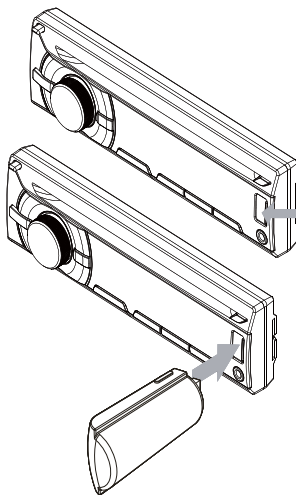
Play from USB

Note

- Ensure that the USB device contains playable music.

Insert the USB device

- 1 Slide the USB socket cover marked \leftarrow to the left.
- 2 Insert the USB device into the USB socket.
↳ The unit starts playing from the USB device automatically.




Remove the USB device

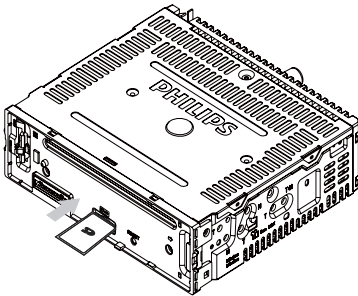
- 1 Press \odot to turn off the unit.
- 2 Remove the USB device.

Insert a card


Note

- This unit supports SD and SDHC cards.

- 1 Press  to release the panel.
- 2 Push the left side of the panel rightward, then pull the panel towards you to disengage it from the chassis.
- 3 Insert the card into the card slot.
↳ The unit starts playing from the card automatically.



Remove the card

- 1 Press  to turn off the unit.
- 2 Press the card until you hear a click sound.
↳ The card is now disengaged.
- 3 Remove the card.

Play from iPod/iPhone

You can enjoy audio from iPod/iPhone through this unit.

Compatible iPod/iPhone

Apple iPod and iPhone models with a 30-pin dock connector:


Made for:

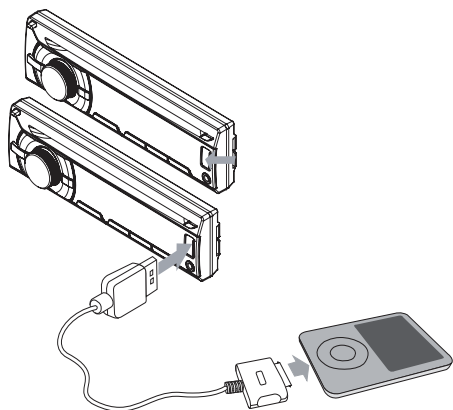
- iPod nano (2nd generation)
- iPod nano (3rd generation 4GB)
- iPod nano (3rd generation 8GB)
- iPod nano (4th generation)
- iPod nano (5th generation)
- iPod classic (1st generation)
- iPod classic (2nd generation)
- iPod touch (1st generation)
- iPod touch (2nd generation)
- iPod touch (3rd generation)
- iPod video (30GB & 80GB)

Works with:

- iPhone
- iPhone 3G
- iPhone 3GS

Connect iPod/iPhone

- 1 Slide the USB socket cover marked  to the left.
- 2 Insert USB adaptor on one end of iPod/iPhone cable to the USB socket on the main unit.
- 3 Insert the other end of the iPod/iPhone cable to the iPod/iPhone socket.
↳ The unit starts playing from the USB device automatically.



Control music playback on iPod/iPhone

- 1 Ensure that the iPod/iPhone is connected correctly.
- 2 Press **SOURCE** to select iPod USB mode.
- 3 Press **□** repeatedly to toggle between the two control modes:
 - **iPod control mode:** Use the buttons/touch screen on iPod/iPhone to control the music.
 - **Audio control mode:** Use the control buttons on car audio to control the music.

To control playback under audio control mode:

- To pause/resume play, press **⏸**.
- To skip to a track, press **⏮** or **⏭**.
- To search during play, press and hold **⏮** or **⏭**, then release to resume normal play.
- To navigate the menu, press **⏪**, rotate **⌚** to select, then press **⏸** to confirm.

Search for an MP3/WMA track

- 1 Press **SOURCE** repeatedly to select iPod mode.
- 2 Press **BAND/↵** to browse iPod/iPhone menu.
- 3 Rotate **⌚** to select the Artist search mode, and press **⏸** to confirm.
- 4 Press **DISP/⌂** to search alphabetically.
- 5 Rotate **⌚** to select desired artist, then press **⏸** to confirm.
- 6 Rotate **⌚** to select desired song in current album.
- 7 Press **⏸** to start play.

Note

- User cannot control the music via iPod/iPhone under audio control mode.

Search for an MP3/WMA track on iPod/iPhone

Search within the current folder

- 1 Press **+SONG**.
 - ↳ The name of the current track displays.
- 2 Rotate **⌚** to select another track in current folder
- 3 Press **⏸** to confirm.

Search in other folder

- 1 Press **FOLDER -**.
 - ↳ The name of the current folder displays.
- 2 Rotate **⌚** to navigate through all folders.
- 3 Press **⏸** to access the selected folder.
- 4 Rotate **⌚** to select a track in the folder.
- 5 Press **⏸** to start play.

Tip

- To go back to upper level of a folder, press **↵**.

View play information

- 1 During playing, press **DISP** repeatedly to view:
 - Track number and elapsed play time
 - Artist
 - Album
 - Title
 - Folder
 - File

Repeat play

- 1 During play, press **OPTIONS** repeatedly until **[REPEAT]** displays.
- 2 Rotate \odot to select a setting.
 - **[REPEAT ALL]**: play all tracks repeatedly.
 - **[REPEAT TRK]**: play current track repeatedly.
 - **[REPEAT FLD]**: play all tracks in the current folder repeatedly.

Shuffle play

You can play the tracks in random order:

- 1 During play, press **OPTIONS** repeatedly until **[RANDOM]** displays.
- 2 Rotate \odot to select a setting:
 - **[RANDOM OFF]**: Turn off random play.
 - **[RANDOM FLD]**: start random play for all tracks in the current folder.
 - **[RANDOM ALL]**: start random play for all tracks.

Intro play

You can play the first 10 seconds of each track.

- 1 During play, press **OPTIONS** repeatedly until **[INTRO]** displays.
- 2 Rotate \odot to select a setting:
 - **[INTRO OFF]**: Cancel intro play and start normal play.
 - **[INTRO FLD]**: Start intro play in the current folder.
 - **[INTRO ALL]**: Play the first 10 seconds of each track.

Connect external sound source

- 1 Connect the external sound source to **MP3 LINK** socket with a 3.5 mm cable.
- 2 Press **SOURCE** repeatedly until **[MP3 LINK]** is displayed.
- 3 Operate the external component (refer to the instructions supplied with the external component).

6 Adjust sound

Adjust volume

- 1 Turn \odot clockwise/anticlockwise to increase/decrease volume.

Mute

You can turn off the sound of your audio.

- 1 During play, press \odot .
 - To resume sound, press \odot again.

Turn Full Sound on/off

The unit offers a pre-configured sound setting called FullSound™. The FullSound™ feature restores sonic details to compressed music and provides a full sound experience without any distortion.

- 1 Press **Full Sound** to toggle the FullSound™ feature off and on (default).

Select preset equalizer

- 1 Press **EQ/Audio**.
 - ↳ Current Equalizer setting is displayed.
- 2 Press **EQ/Audio** again to select a preset EQ setting:
 - **[OPTIMAL]** (optimal)
 - **[FLAT]** (flat)
 - **[POP]** (pop)
 - **[USER]** (user)
 - **[TECHNO]** (techno)
 - **[ROCK]** (rock)
 - **[CLASSIC]** (classic)
 - **[JAZZ]** (jazz)

Turn on/off max sound

- 1 Press **MAX SOUND**.
 - ↳ The current setting displays
 - ↳ **[MAX ON]**: The maximum sound (max sound) function is on.
 - ↳ **[MAX OFF]**: The maximum sound function is off.

Switch music listening zone

Philips' innovative Zone technology enables driver or passengers to enjoy music with the best speakers balance and experience more vivid spacial effect as the artist is intended to create. You can switch the music listening zone from driver to passengers for the best speaker sound settings in car.

- 1 Press **MENU/ZONE** over 3 seconds.
 - ↳ The current setting displays
- 2 Press **◀▶▶▶** to switch the zones:
 - **[ZONE ALL]**
 - **[FRONT]**
 - **[F. LEFT]** (Front left)
 - **[F. RIGHT]** (Front right)
- 3 Press **OK** to confirm the selection and exit the menu.

Other sound settings

You can also adjust the preset **EQ/Audio** settings.

- 1 Press **EQ/Audio** for 3 seconds.
- 2 Press **◀▶▶▶** repeatedly to select the item to be adjusted:
 - **[BASS LEVEL]** range: -7 to +7
 - **[BASS CFQ]** (bass center frequency) range: 60, 80, 100, 200.
 - **[MIDDLE LEVEL]** range: -7 to +7
 - **[MIDDLE CFQ]** (middle center frequency) range: 0.5k, 1.0k, 1.5k, 2.5k.




- **[TREBLE LEVEL]** range: -7 to +7
- **[TREBLE CFQ]** (treble center frequency) range: 10.0k, 12.5k, 15.0k, 17.5k.
- **[BALANCE]** range: 12L to 12R. (L= left speaker; R = right speaker)
- **[FADER]** range: 12R to 12F. (R = rear speaker; F = front speaker)
- **[ZONE DEP]** (zone depth) options: DEPTH 1, DEPTH 2, DEPTH 3, DEPTH 4.
- **[RESUME]**: Resume the preset EQ value to factory default value.

3 Rotate  to select a value/option.

7 Adjust system settings




Turn beep sound on/off

Each time you press a button, the unit beeps. You can turn on or off this beep sound.



- 1** Press **MENU**.
- 2** Press   repeatedly until **[BEEP]** displays.
- 3** Rotate  to select a setting:
 - **[BEEP ON]**: Turn on the beep sound.
 - **[BEEP OFF]**: Turn off the beep sound.

Select blackout setting

You can set the screen to turn off automatically after the unit is idle for 10 or 20 seconds.

- 1** Press **MENU**.
- 2** Press   repeatedly until **[BLKOUT]** displays.
- 3** Rotate  to select a setting:
 - **[BKO 10 S]**: Turn off the screen automatically 10 seconds after last operation.
 - **[BKO 20 S]**: Turn off the screen automatically 20 seconds after last operation.
 - **[BKO OFF]**: Never turn off the screen.

Turn demo mode on/off

- 1** Press **MENU**.
- 2** Press   repeatedly until **[DEMO]** displays.

- 3 Rotate \odot to select a setting:
- **[DEMO ON]** : Turn on the demo mode. When the unit is idle for more than 10 seconds, all functions are displayed.
 - **[DEMO OFF]** : Turn off the demo mode.

LCD Color

You can change LCD background color.

- 1 Press **MENU**.
- 2 Press **◀▶▶▶** repeatedly until **[LCD COLOR]** displays.
- 3 Rotate \odot to select a setting:
 - **[DEFAULT]** (default setting)
 - **[COLOR SCAN]** (color scan)
 - **[WHITE]** (white)
 - **[GREEN 1]** (green 1)
 - **[GREEN 2]** (green 2)
 - **[GREEN 3]** (green 3)
 - **[AMBER]** (amber)
 - **[PINK 1]** (pink 1)
 - **[PINK 2]** (pink 2)
 - **[PURPLE 1]** (purple 1)
 - **[PURPLE 2]** (purple 2)
 - **[BLUE 1]** (blue 1)
 - **[BLUE 2]** (blue 2)
 - **[USER COLOR]** (user color)

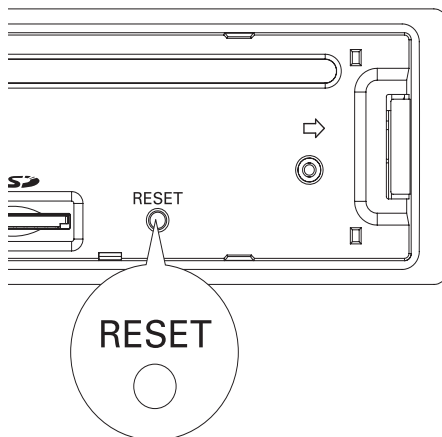
Set user color

- 1 Press **MENU**.
- 2 Press **◀▶▶▶** repeatedly until **[LCD COLOR]** displays.
- 3 Press \odot .
- 4 Rotate \odot to select **[USER COLOR]**.
- 5 Press \odot to confirm.
- 6 Rotate \odot to adjust color of the LCD.
R(red)/G(green)/B(blue)
- 7 Press **↵** to exit user color setting mode.

Reset

You can reset the unit to its default setting.


- 1 Detach the front panel.
- 2 Press the reset button by using a ball-point pen or a similar tool.
 - ↳ Preset adjustments such as preset channels and sound adjustments are erased.

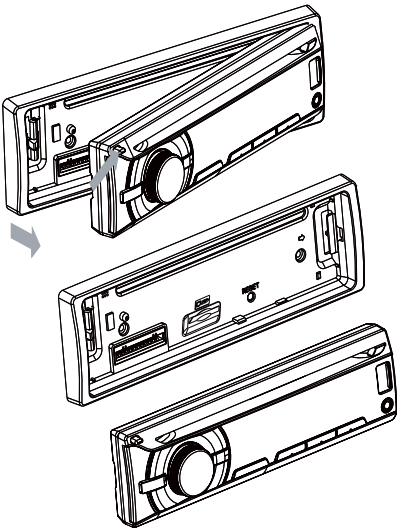


8 Additional information

Detach the front panel

You can detach the front panel to deter theft.

- 1 Press  to release the panel.
- 2 Push the left side of the panel rightward.



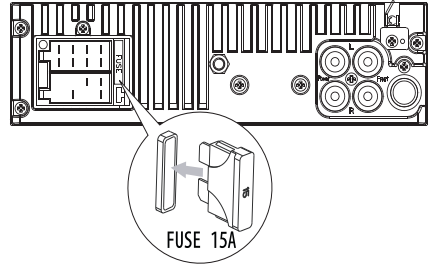
- 3 Pull the panel towards you to disengage it from the chassis.
- 4 Store the panel in the supplied carry case to protect it from dirt or damage.

Replace fuse

If the fuse is damaged,

- 1 Check the electric connection.
- 2 Buy a fuse that matches the voltage of the damaged fuse.

- 3 Replace the fuse.



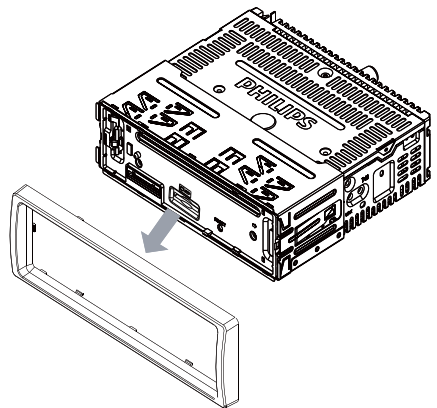
Note

- If the new fuse gets damaged again, there may be an internal malfunction. Consult your Philips dealer.

Remove the unit

You can remove the unit from the dashboard.

- 1 Detach the front panel.
- 2 Pull out the unit by using the disassembly tools.



9 Product information

Note

- Product information is subject to change without prior notice.

Power supply	12 V DC (11 V - 16 V), negative ground
Fuse	15 A
Suitable speaker impedance	4 - 8 Ω
Maximum power output	50 W x 4 channels
Continuous power output	24 W x 4 RMS (4 Ω 10% T.H.D.)
Pre-Amp output voltage	2.0 V
Aux-in level	\geq 500 mV
Dimensions (W x H x D)	188 x 58 x 201 mm
Weight	1.47 kg

Radio

Frequency range - FM	87.5 - 108.0 MHz (100kHz per step in auto search and 50kHz per step in manual search)
Frequency range - AM (MW)	522 - 1620 KHz (9 kHz) 530 - 1710 kHz (10 kHz)
Usable sensitivity - FM	8 μ V
Usable sensitivity - AM (MW)	30 μ V (S/N = 20 dB)

Compatible USB devices:

- USB flash memory: USB 1.1 host with interface reading all speed support (1.1, 2.0)
- USB flash players: USB 1.1 host with interface reading all speed support (1.1, 2.0)
- Memory cards (SD / SDHC)

Supported formats:

- USB or memory file format: FAT16, FAT32
- MP3 bit rate (data rate): 32-320 Kbps and variable bit rate
- WMA V4, V7, V8, V9 (L1, L2)
- ISO9660, Joliet
- Maximum title number: 512 (depending on file name length)
- Maximum album number: 255
- Supported sampling frequencies: 2 kHz, 44.1 kHz, 48 kHz
- Supported Bit-rates: 2~256 (kbps), variable bit rates
- Directory nesting up to a maximum of 8 levels
- Number of albums/ folders: CD maximum 99, USB maximum 199
- Number of tracks/titles: maximum 999
- ID3 tag v2.0 or later
- File name in Unicode UTF8 (maximum length 64 bytes)

Unsupported formats:

- Empty albums: an empty album is an album that does not contain MP3/WMA files, and is not be shown in the display.
- Unsupported file formats are skipped. For example, Word documents (.doc) or MP3 files with extension .dlf are ignored and not played.
- AAC, WAV, PCM audio files
- DRM protected WMA files (.wav, .m4a, .m4p, .mp4, .aac)
- WMA files in Lossless format

10 Troubleshooting



Caution

- Never remove the casing of this apparatus.

To keep the warranty valid, never try to repair the system yourself.

If you encounter problems when using this apparatus, check the following points before requesting service. If the problem remains unsolved, go to the Philips web site (www.philips.com/support). When you contact Philips, ensure that your apparatus is nearby and the model number and serial number are available.

No power or no sound.

- Car engine is not on. Turn the car engine on.
- Cable is not correctly connected. Check connections.
- Fuse is burnt. Replace fuse.
- Volume is too low. Adjust volume.
- If the above solutions cannot help, press the RESET button.
- Ensure that the track played is of a compatible format.

Noise in broadcasts.

- Signals are too weak. Select other stations with stronger signals.
- Check the connection of the car antenna.
- Change broadcast from Stereo to mono.

Cannot play disc

- Ensure that the disc label is inserted with the printed side facing up.
- Wipe the disc with fibre cleaning cloth from the centre to the edge in a straight line.
- This disc may be defective. Play another disc.
- Ensure that the CD is a finalised CD/CD-R/CD-RW.
- Ensure that the CD is not encoded with copyright protection technologies.

The CD skips tracks

- Ensure that the CD is not damaged or dirty.
- Ensure that random mode is deactivated.

Disc cannot be ejected

- Press and hold ▲.

Preset stations lost.

- Battery cable is not correctly connected. Connect the battery cable to the terminal that is always live.

Display show ERR-12

- USB data error. Check the USB device.

11 Glossary

M

MP3

A file format with a sound data compression system. MP3 is the abbreviation of Motion Picture Experts Group 1 (or MPEG-1) Audio Layer 3. With the MP3 format, one CD-R or CD-RW can contain about 10 times more data than a regular CD.

S

SD

Secure Digital. A type of memory card with a flash memory.

SDHC

Secure Digital High Capacity (SDHC) is a type of flash memory card based on the SDA 2.00 specification. The SDA 2.00 specification enables SD cards to reach higher capacities from 4GB to 32GB, and growing.

W

WMA (Windows Media Audio)

An audio format owned by Microsoft, is a part of Microsoft Windows Media technology. Includes Microsoft Digital Rights Management tools, Windows Media Video encoding technology, and Windows Media Audio encoding technology.



Free Manuals Download Website

<http://myh66.com>

<http://usermanuals.us>

<http://www.somanuals.com>

<http://www.4manuals.cc>

<http://www.manual-lib.com>

<http://www.404manual.com>

<http://www.luxmanual.com>

<http://aubethermostatmanual.com>

Golf course search by state

<http://golfingnear.com>

Email search by domain

<http://emailbydomain.com>

Auto manuals search

<http://auto.somanuals.com>

TV manuals search

<http://tv.somanuals.com>